



US00D959080S

(12) **United States Design Patent** (10) **Patent No.:** **US D959,080 S**  
**Liuzza** (45) **Date of Patent:** **\*\* Jul. 26, 2022**

(54) **FOLDED PLATE SCRAPER**  
(71) Applicant: **Victor Liuzza**, Fleming Island, FL (US)  
(72) Inventor: **Victor Liuzza**, Fleming Island, FL (US)  
(\*\*) Term: **15 Years**

D751,877 S 3/2016 Shlaferman  
D772,678 S 11/2016 Haarburger  
D811,034 S \* 2/2018 Kent ..... D32/54  
D843,075 S \* 3/2019 Hamilton ..... D32/40  
D846,216 S \* 4/2019 Hamilton ..... D32/40  
D935,715 S \* 11/2021 Davenport ..... D32/40  
2003/0200619 A1\* 10/2003 Kelsey ..... A45D 27/44  
15/236.01

(21) Appl. No.: **29/736,075**  
(22) Filed: **May 27, 2020**  
(51) **LOC (13) Cl.** ..... **07-05**  
(52) **U.S. Cl.**  
USPC ..... **D32/46**  
(58) **Field of Classification Search**  
USPC ..... D32/40-42, 46-49  
CPC .. A47L 1/16; A47L 13/46; A47L 13/06; A47J  
43/288  
See application file for complete search history.

**FOREIGN PATENT DOCUMENTS**

GB 2096479 \* 10/2000

**OTHER PUBLICATIONS**

Panini Scraper, Restaurant Equipment website 2022, site visited Mar. 21, 2022, <https://www.restaurantequipmentsolutions.com/GLOB-SMALL-SCRAPER.html>.\*

\* cited by examiner

*Primary Examiner* — John R Yeh

(74) *Attorney, Agent, or Firm* — Marks Gray, P.A.; Mitchell Ghaneie; Christopher Roberts

(56) **References Cited**

**U.S. PATENT DOCUMENTS**

D204,480 S \* 4/1966 Skarsten ..... 15/236.08  
D257,383 S 10/1980 Davenport  
D261,601 S \* 11/1981 Kettlestrings ..... D32/40  
D266,905 S \* 11/1982 Wallis ..... D32/42  
D270,105 S \* 8/1983 Erickson ..... D32/42  
D332,160 S \* 12/1992 Kuzma ..... D7/688  
D345,887 S \* 4/1994 Heiberg ..... D7/381  
D403,816 S \* 1/1999 Zeilinger ..... D32/46  
D508,586 S \* 8/2005 Shurtleff ..... D32/49  
D511,873 S \* 11/2005 Vitantonio ..... D32/40  
D529,772 S \* 10/2006 Samaro ..... D8/16  
D532,741 S \* 11/2006 Lin ..... D32/46  
D573,417 S \* 7/2008 Osbourn ..... D7/641  
7,418,760 B2\* 9/2008 Birnbaum ..... A47L 13/022  
15/236.08  
D609,858 S \* 2/2010 Ezell ..... D28/36  
D613,473 S \* 4/2010 Pierce ..... D32/46  
D624,720 S \* 9/2010 Motsenbocker ..... D32/46  
D668,715 S 10/2012 Lieske et al.  
D681,344 S \* 5/2013 Davis ..... D4/138

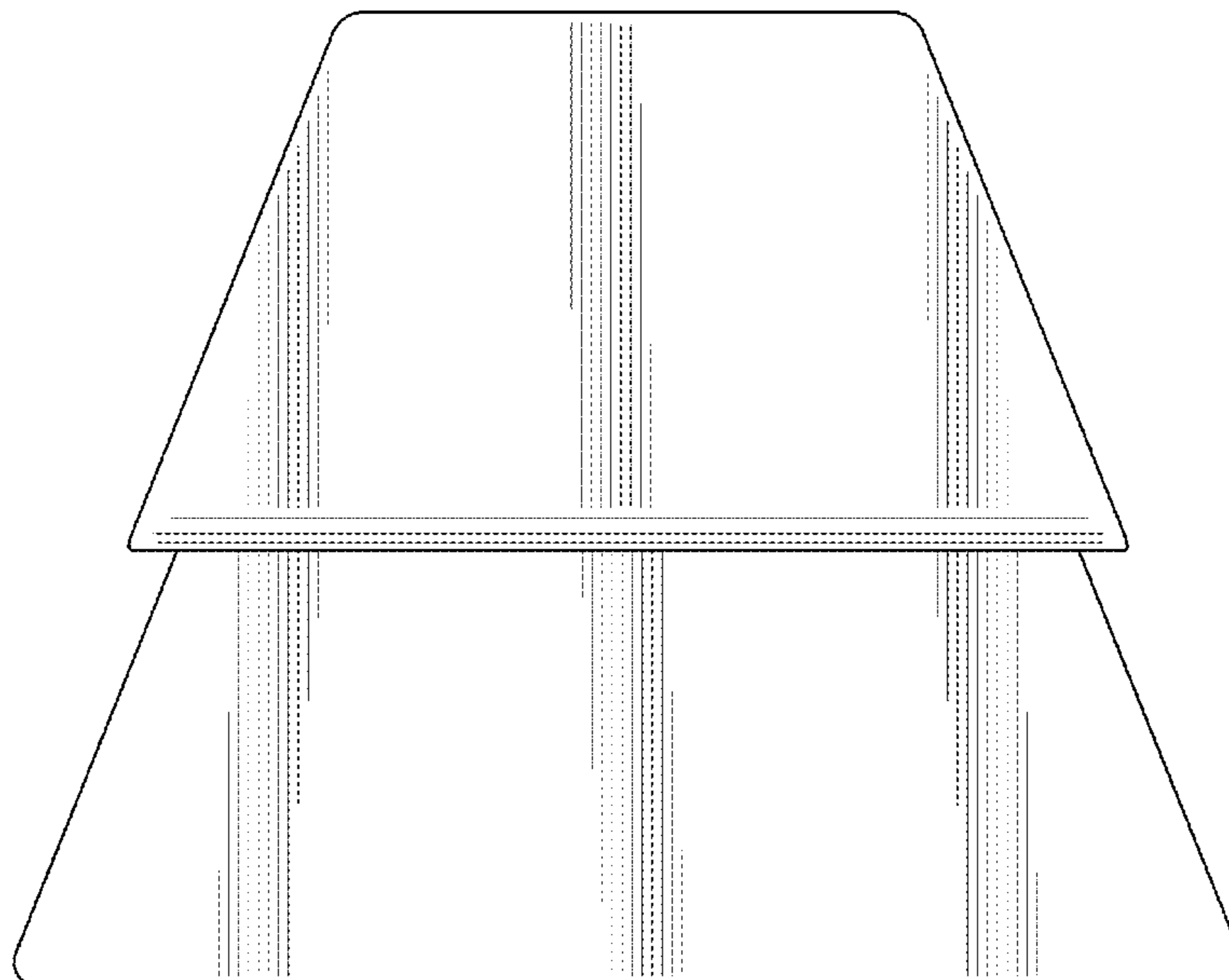
(57) **CLAIM**

The ornamental design for a folded plate scraper, as shown and described.

**DESCRIPTION**

FIG. 1 is a top plan view for a folded plate scraper showing my new design;  
FIG. 2 is a bottom plan view thereof;  
FIG. 3 is a right side elevation view thereof;  
FIG. 4 is a left side elevation view thereof;  
FIG. 5 is a rear elevation view thereof;  
FIG. 6 is a front elevation view thereof;  
FIG. 7 is a top isometric view thereof; and,  
FIG. 8 is a bottom isometric view thereof.

**1 Claim, 5 Drawing Sheets**



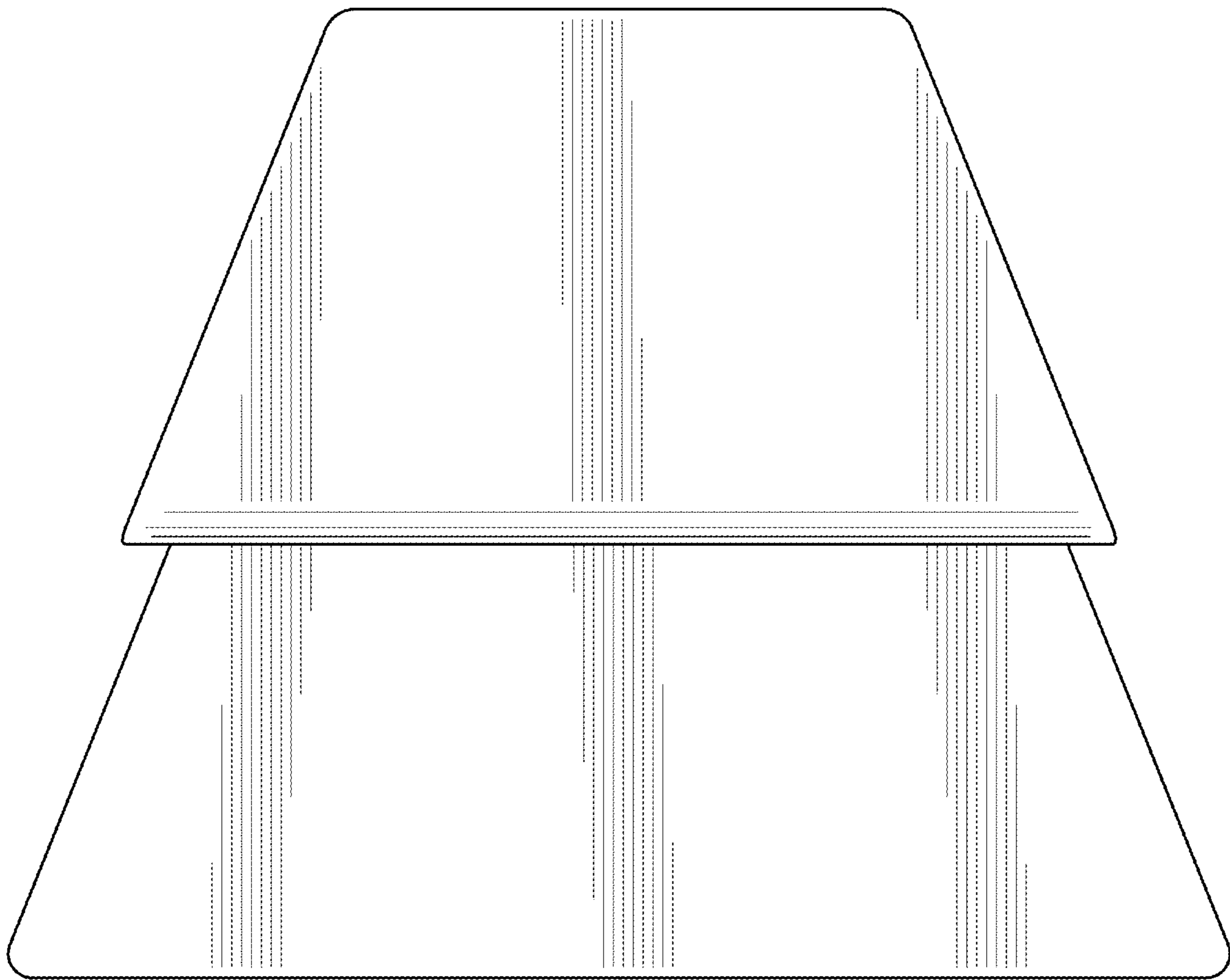


FIG. 1

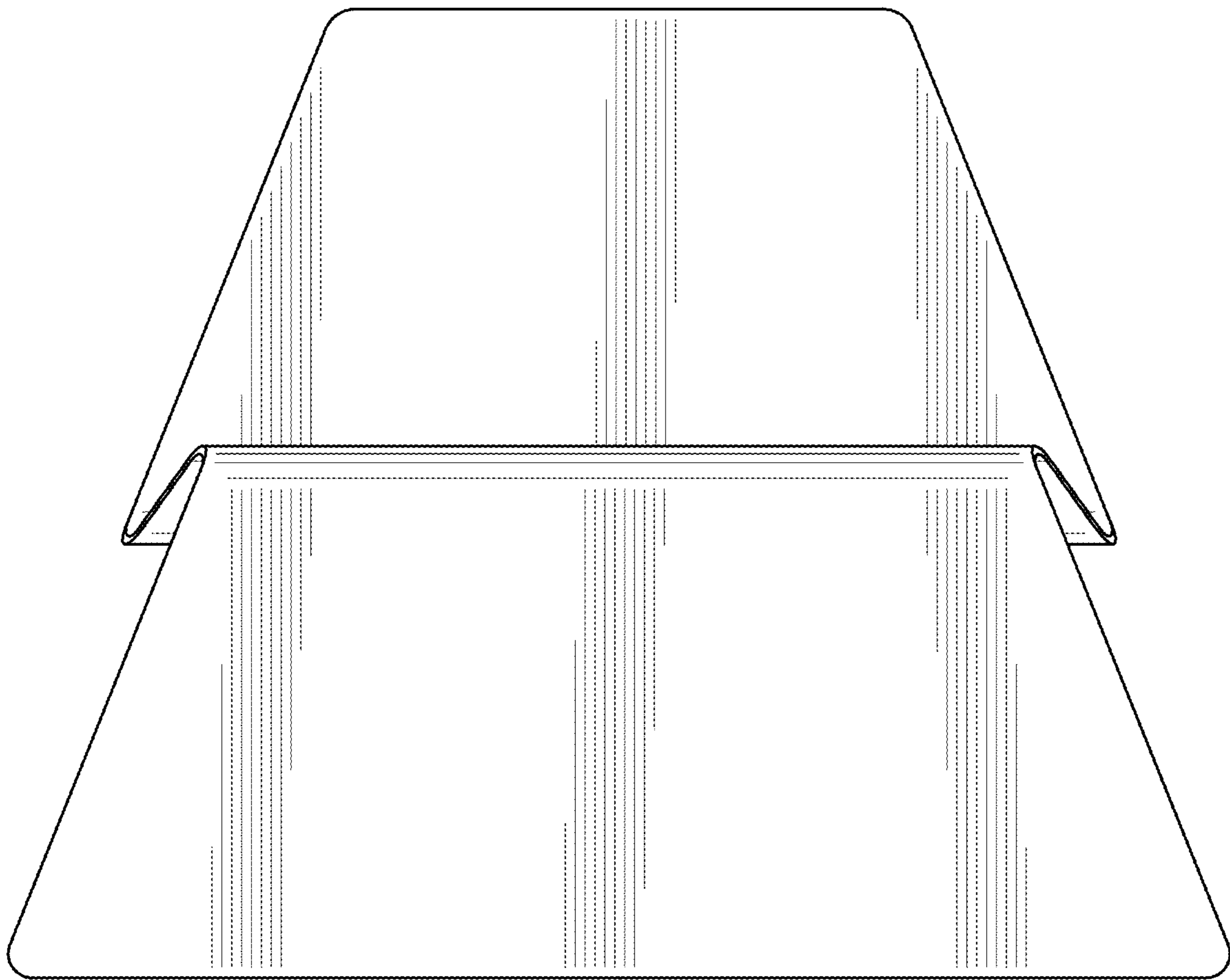


FIG. 2

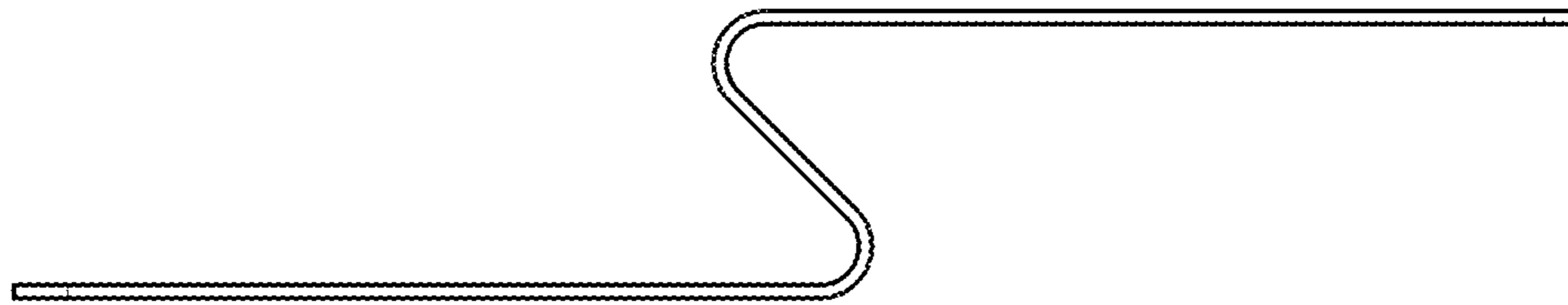


FIG. 3

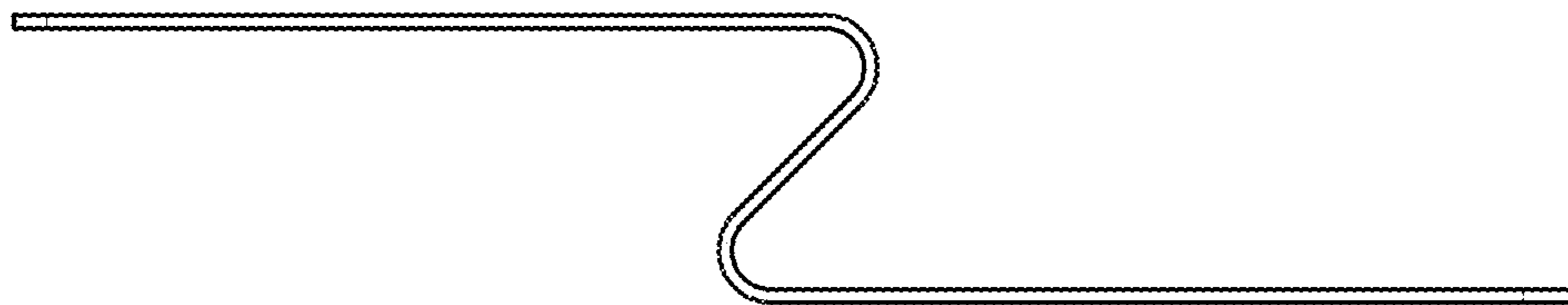


FIG. 4

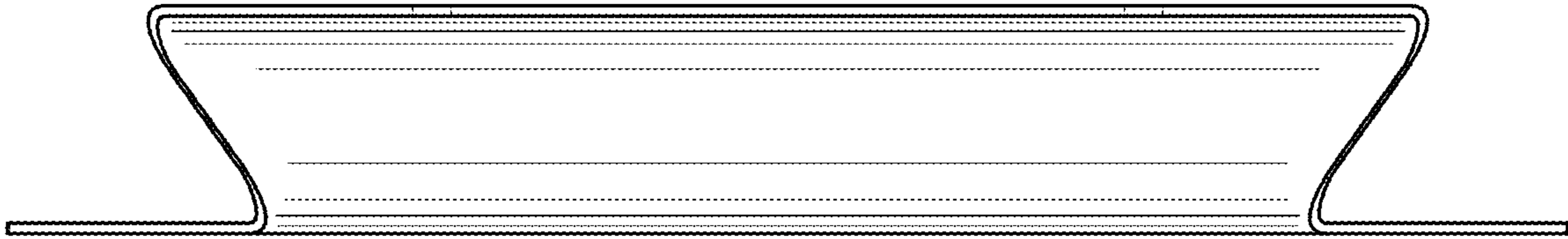


FIG. 5

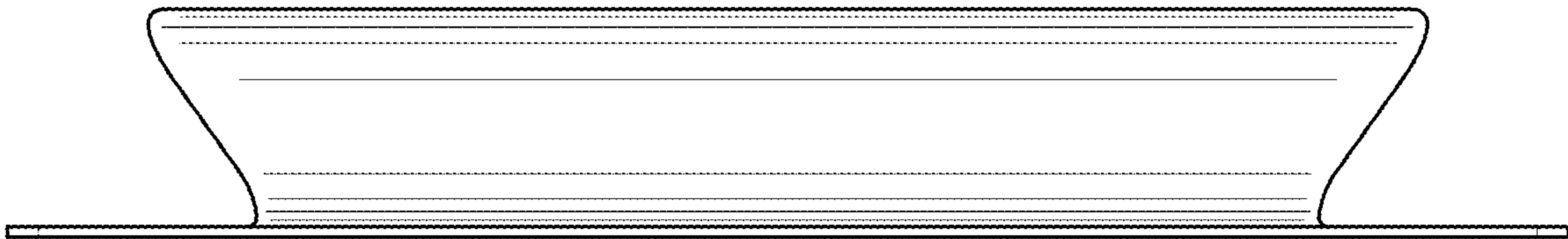


FIG. 6

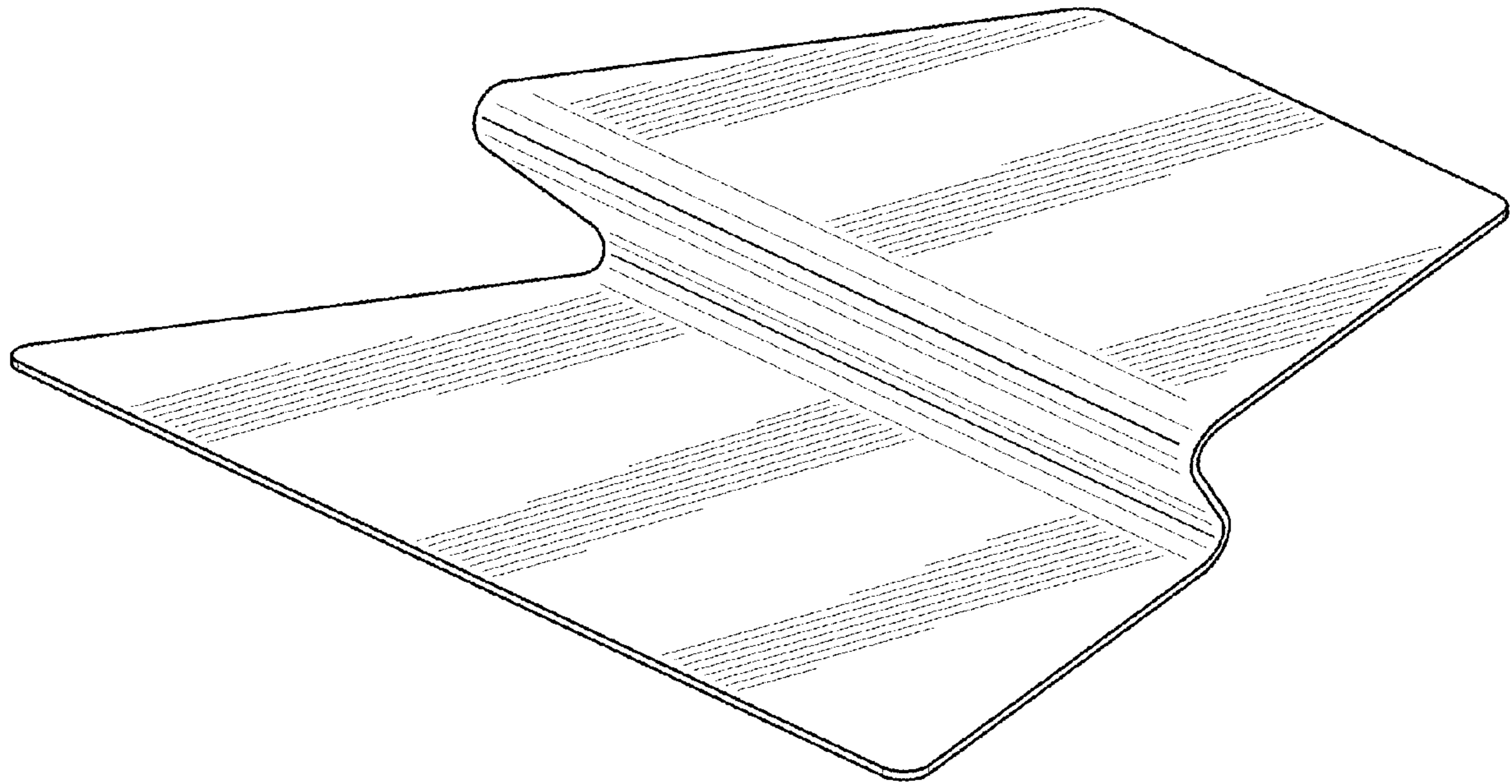


FIG. 7

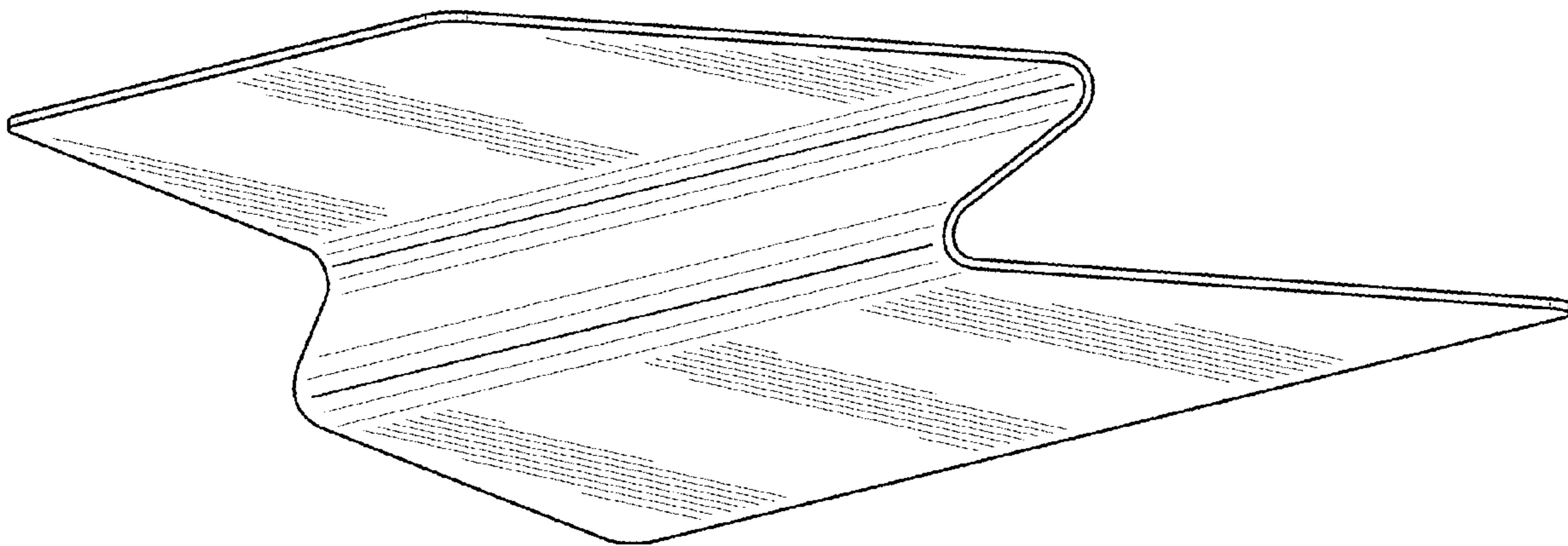


FIG. 8