



US00D959077S

(12) **United States Design Patent**
Knapp et al.

(10) **Patent No.:** **US D959,077 S**

(45) **Date of Patent:** **** Jul. 26, 2022**

(54) **CLEANING FOOT FOR A FLOOR CLEANER**

(71) Applicant: **BISSELL Inc.**, Grand Rapids, MI (US)

(72) Inventors: **Mackenzie L. Knapp**, Saranac, MI (US); **Dennis J. Wroblewski**, Lowell, MI (US)

(73) Assignee: **BISSELL Inc.**, Grand Rapids, MI (US)

(**) Term: **15 Years**

(21) Appl. No.: **29/775,346**

(22) Filed: **Mar. 23, 2021**

(51) **LOC (13) Cl.** **15-05**

(52) **U.S. Cl.**
USPC **D32/32; D32/22**

(58) **Field of Classification Search**
USPC D32/15, 17-24, 31-34
CPC A47L 5/24; A47L 7/0076; A47L 11/04;
A47L 11/22; A47L 5/28; A47L 9/106;
A47L 11/30; A47L 11/4005; A47L 5/30;
A47L 9/02; A47L 9/0466; B04C 5/185;
E04H 4/1636
See application file for complete search history.

(56) **References Cited**

U.S. PATENT DOCUMENTS

D616,164 S *	5/2010	McLeod	D32/32
D672,103 S *	12/2012	Dyson	D32/32
D738,584 S *	9/2015	Niedzwecki	D32/18
D770,109 S *	10/2016	Chu, Jr.	D32/32
D781,015 S *	3/2017	Kim	D32/33
D789,006 S *	6/2017	Ricica	D32/32
D796,136 S *	8/2017	Reynolds	D32/33

9,962,049 B2 *	5/2018	Thorne	A47L 5/26
D823,566 S *	7/2018	Kim	D32/33
D824,616 S *	7/2018	Ward	D32/22
10,512,383 B2 *	12/2019	Luyckx	A47L 11/4016
D880,089 S *	3/2020	Kim	D32/32
D887,656 S *	6/2020	Chei	D32/22
D887,657 S *	6/2020	Palladino	D32/22
11,013,389 B2 *	5/2021	Resch	A47L 11/185
D924,509 S *	7/2021	Niedzwecki	D32/22
D929,053 S *	8/2021	Dong	D32/22
D932,719 S *	10/2021	Liu	D32/32
D934,519 S *	10/2021	Knapp	D32/22
11,160,431 B2 *	11/2021	Nguyen	A47L 9/325
2020/0060494 A1 *	2/2020	Lydic	A47L 9/0477

* cited by examiner

Primary Examiner — Kimberly Barnes

(74) *Attorney, Agent, or Firm* — Warner Norcross + Judd LLP

(57) **CLAIM**

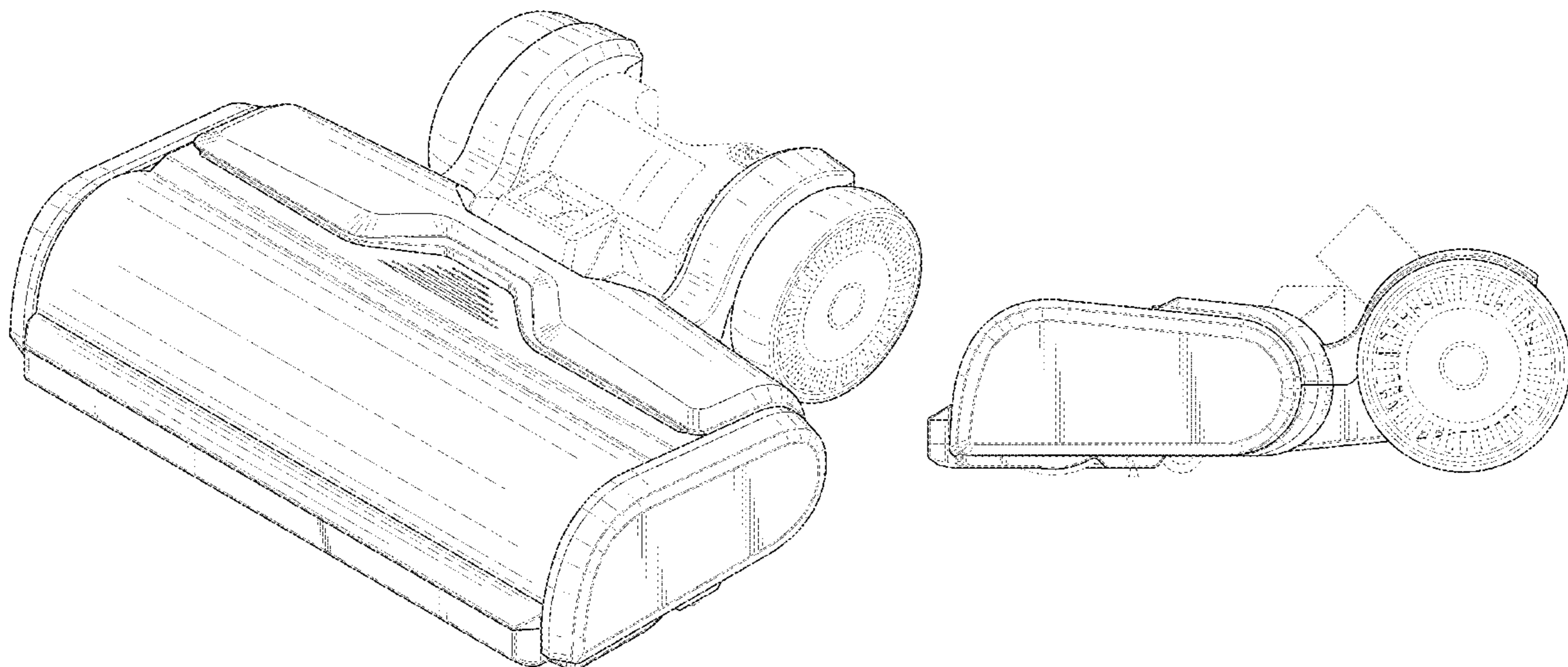
The ornamental design for a cleaning foot for a floor cleaner, as shown and described.

DESCRIPTION

FIG. 1 is a front perspective view of a cleaning foot for a floor cleaner showing our new design; FIG. 2 is a front view thereof; FIG. 3 is a rear view thereof; FIG. 4 is a right side view thereof; FIG. 5 is a left side view thereof; and, FIG. 6 is a top view thereof.

The details of the cleaning foot for a floor cleaner shown in broken lines depict portions that form no part of the claimed design.

1 Claim, 4 Drawing Sheets



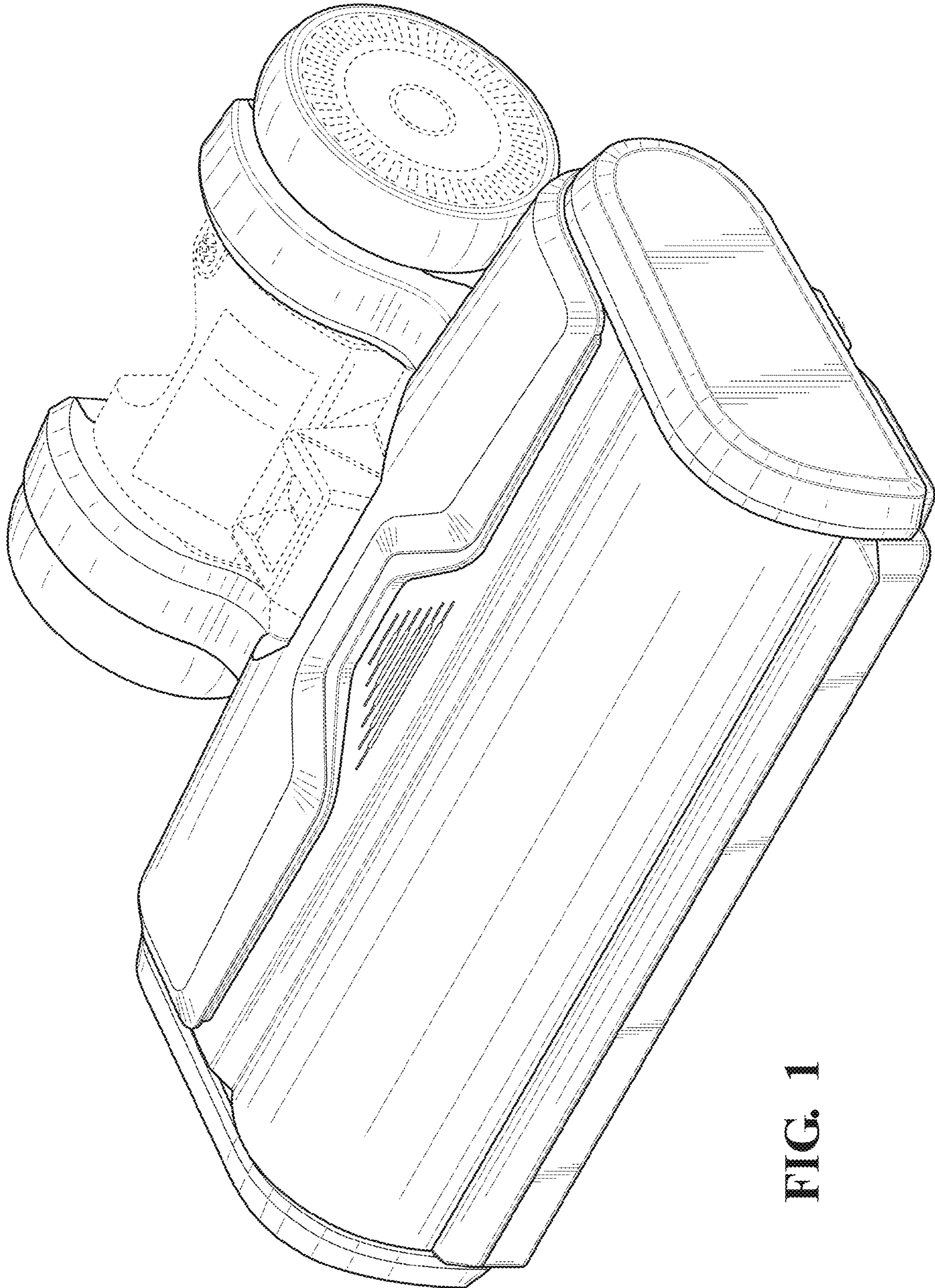


FIG. 1

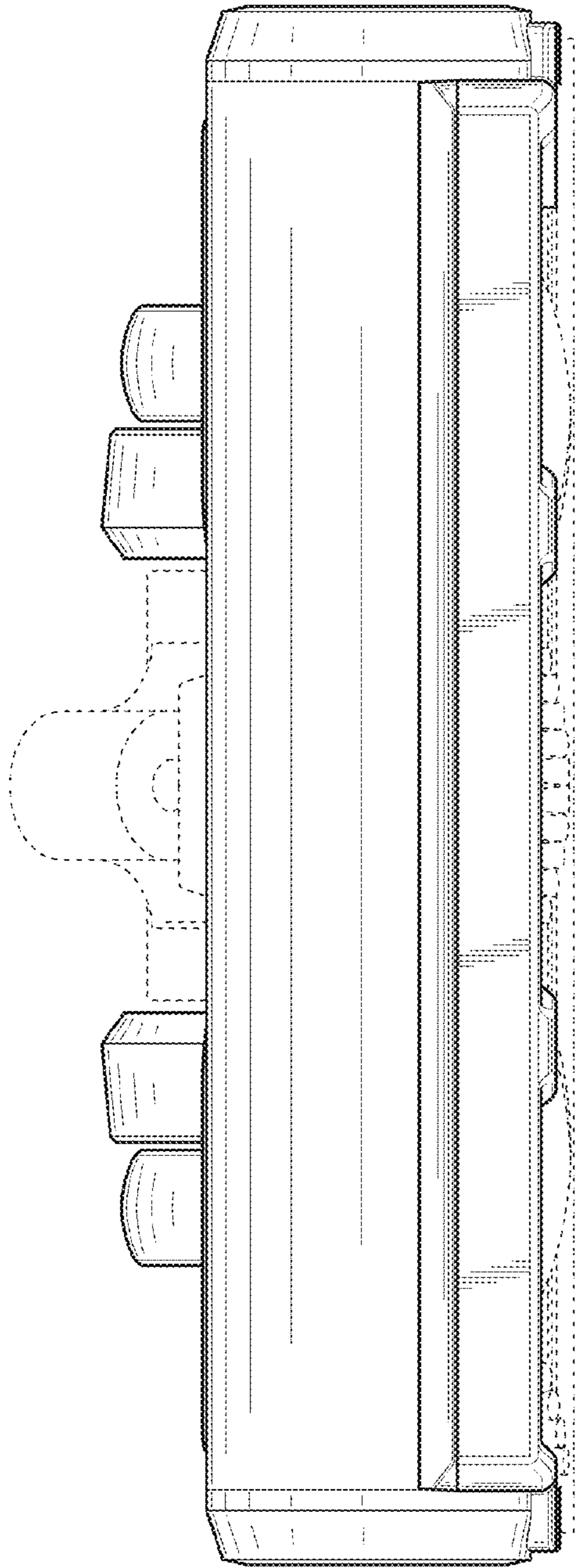


FIG. 2

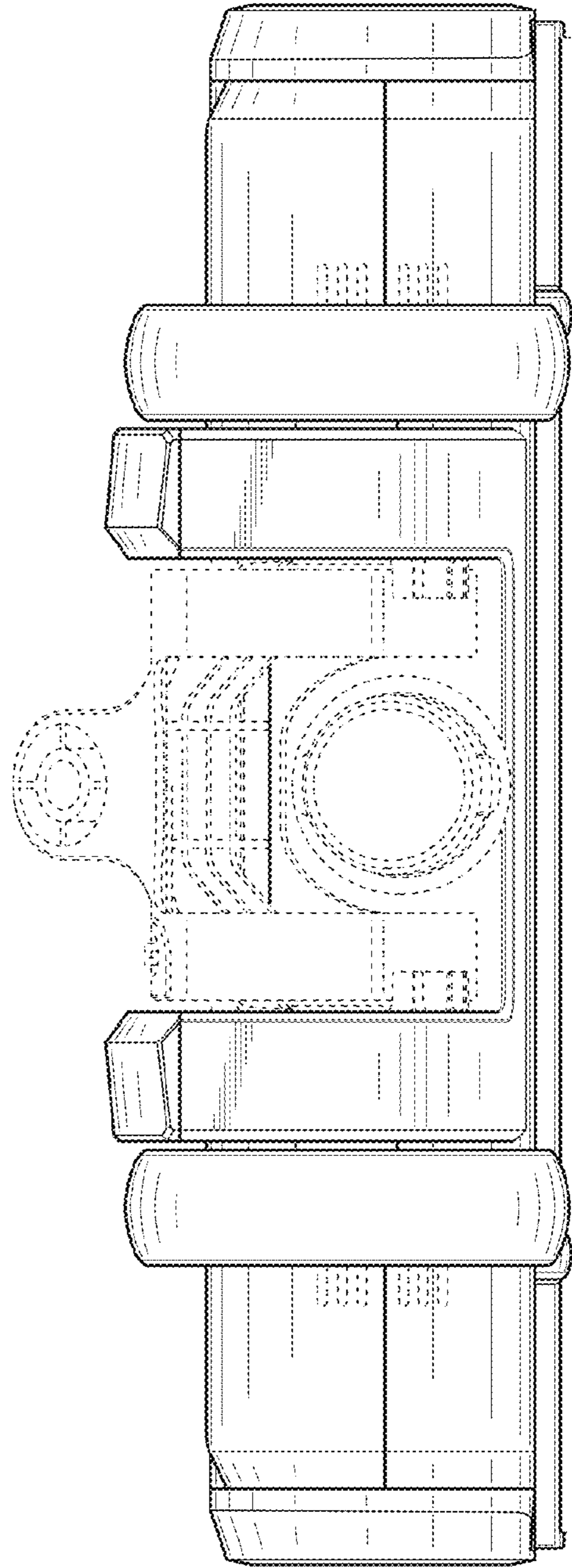


FIG. 3

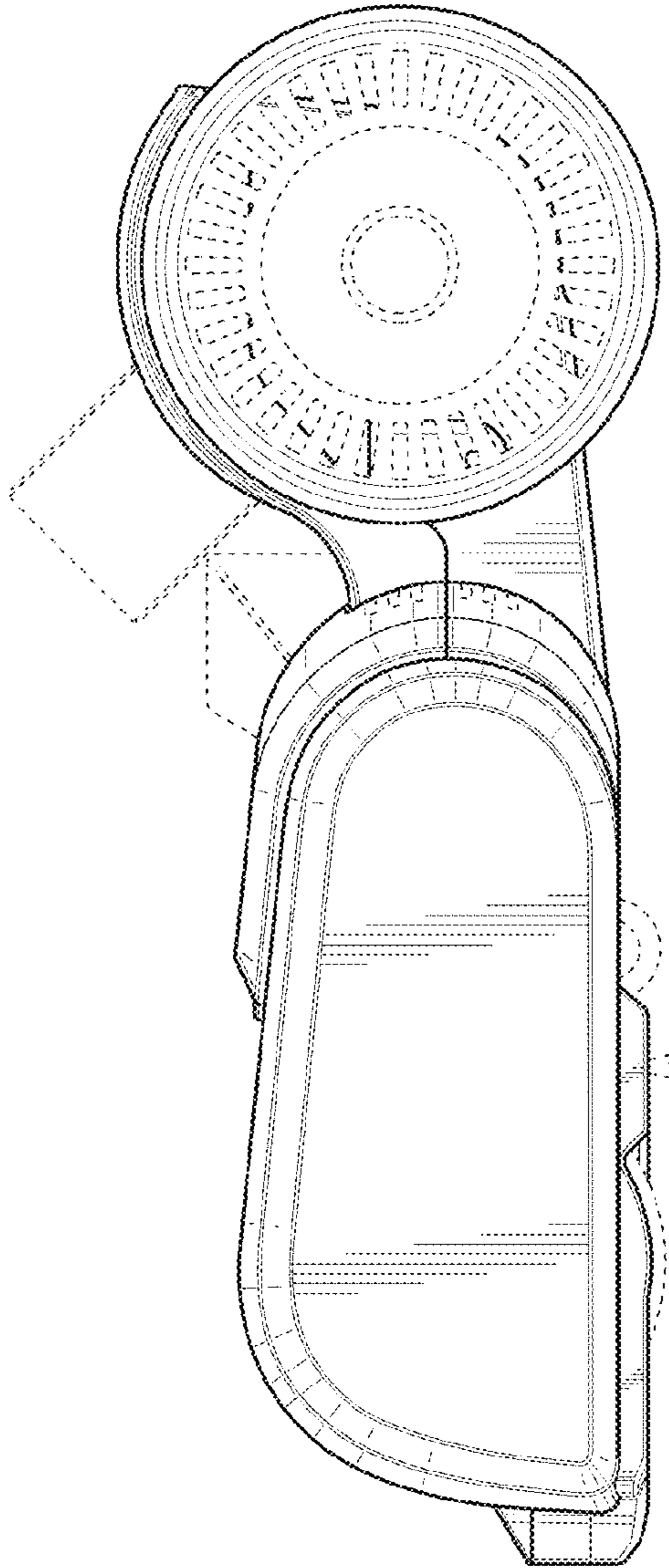


FIG. 4

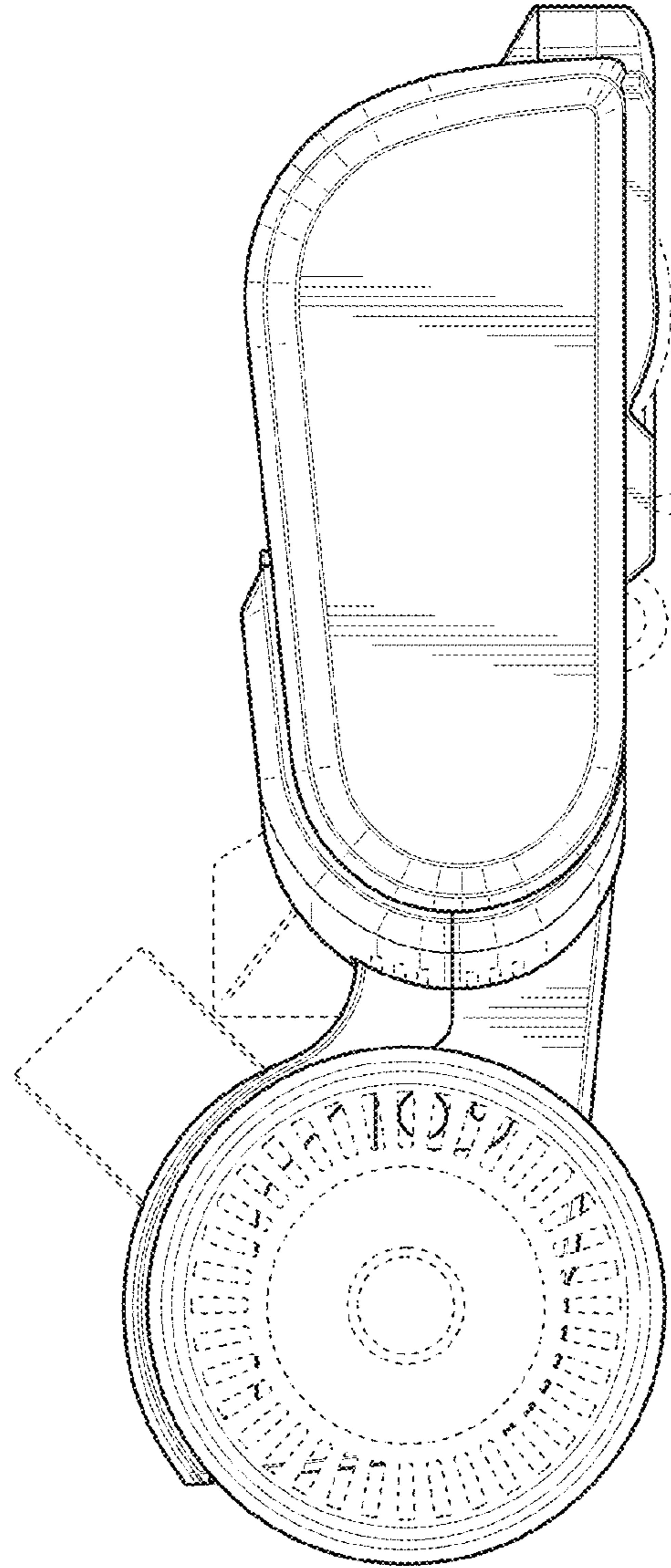


FIG. 5

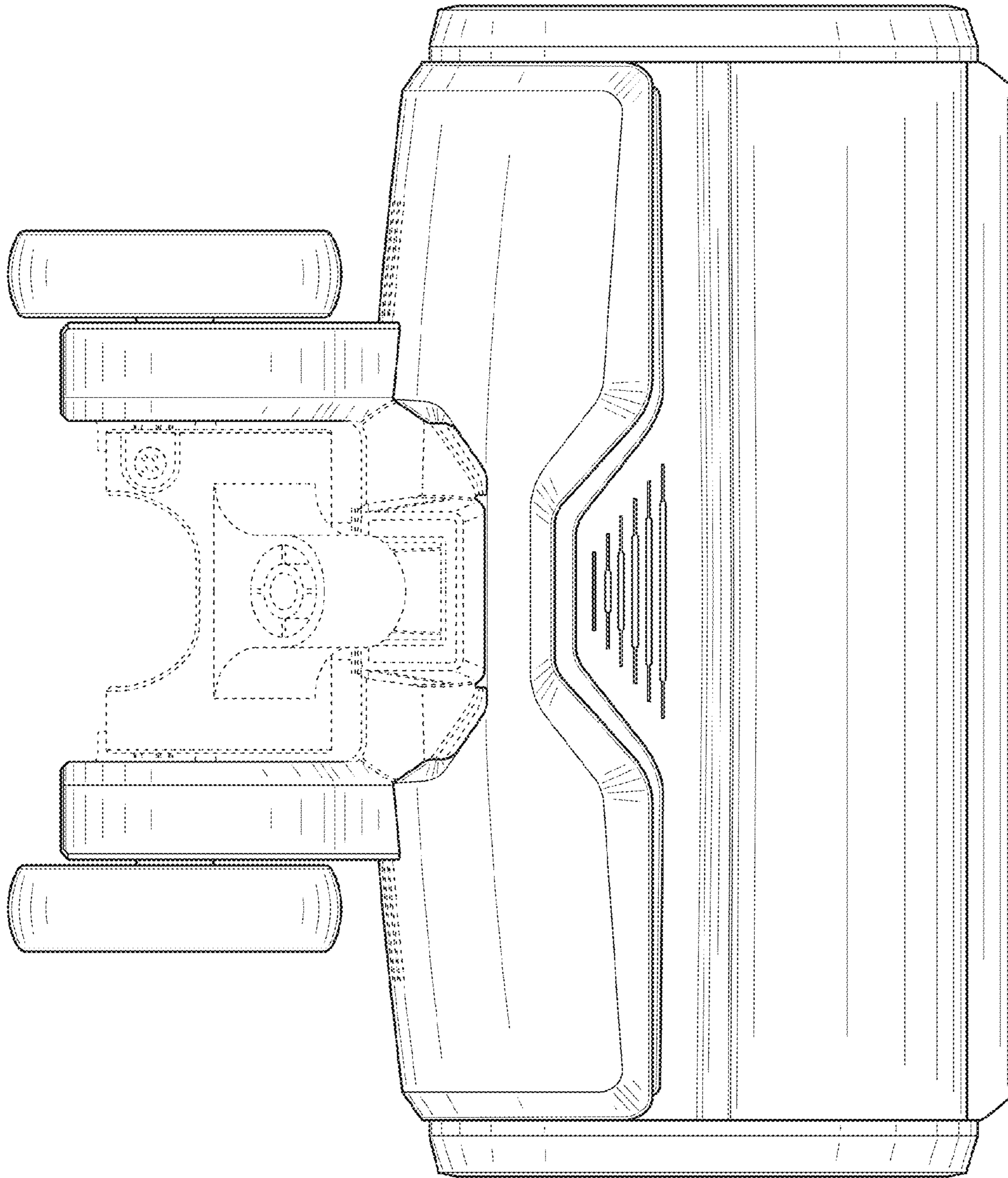


FIG. 6