



US00D959076S

(12) **United States Design Patent**
Higgins

(10) **Patent No.:** **US D959,076 S**

(45) **Date of Patent:** **** Jul. 26, 2022**

(54) **NOZZLE**

(71) Applicant: **SharkNinja Operating, LLC**,
Needham, MA (US)

(72) Inventor: **Colby Higgins**, Hyde Park, MA (US)

(73) Assignee: **SHARKNINJA OPERATING LLC**,
Needham, MA (US)

(**) Term: **15 Years**

(21) Appl. No.: **29/695,662**

(22) Filed: **Jun. 20, 2019**

(51) **LOC (13) Cl.** **15-05**

(52) **U.S. Cl.**
USPC **D32/32**

(58) **Field of Classification Search**
USPC D32/21, 22, 32, 33, 38, 39, 41, 50
(Continued)

(56) **References Cited**

U.S. PATENT DOCUMENTS

D56,947 S * 1/1921 Sheffler D32/32
D440,019 S * 4/2001 Mehaffey D32/32
(Continued)

FOREIGN PATENT DOCUMENTS

CN 306085993 * 10/2020
CN 306309101 * 2/2021
JP D1666422 * 8/2020

OTHER PUBLICATIONS

Shark LZ601, Apex UpLight Lift-Away, available in Amazon.ca, date first available date Jul. 1, 2019 [online], [site visited date Jun. 8, 2021], Available from the internet URL: https://www.amazon.ca/dp/B07S651MW2/ref=emc_b_5_t (Year: 2019).*

(Continued)

Primary Examiner — Amy C Wierenga
Assistant Examiner — Jennylou M Binas

(74) *Attorney, Agent, or Firm* — Grossman, Tucker,
Perreault & Pfleger, PLLC

(57) **CLAIM**

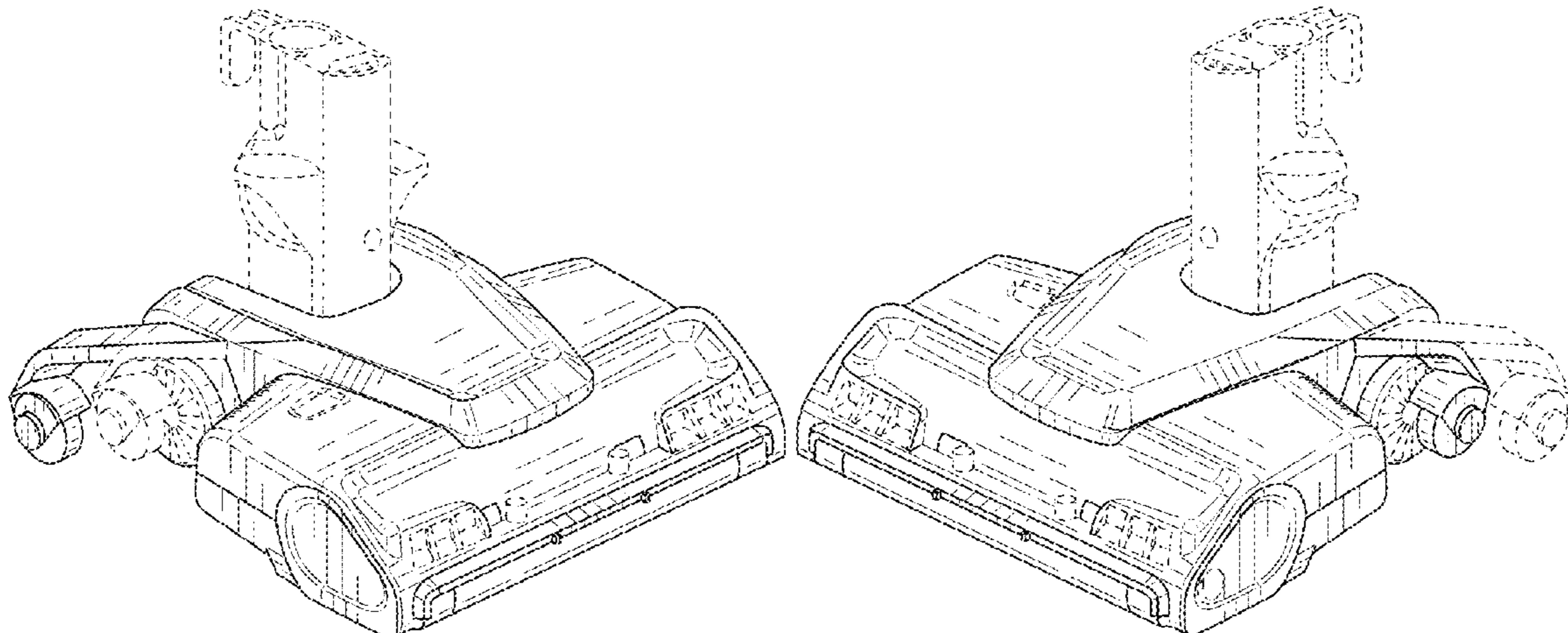
The ornamental design of a nozzle, as shown and described.

DESCRIPTION

FIG. 1 is a front, top left perspective view of a first embodiment of a nozzle showing my new design; FIG. 2 is a front, top right perspective view thereof; FIG. 3 is a rear, top right perspective view thereof; FIG. 4 is a rear, top left perspective view thereof; FIG. 5 is a rear, bottom, right perspective view thereof; FIG. 6 is a rear, bottom right perspective view thereof; FIG. 7 is a front, bottom right perspective view thereof; FIG. 8 is a front, bottom left perspective view thereof; FIG. 9 is a front view thereof; FIG. 10 is a rear view thereof; FIG. 11 is a right view thereof; FIG. 12 is a left view thereof; FIG. 13 is a top view thereof; and FIG. 14 is a bottom view thereof; FIG. 15 is a front, top left perspective view of a second embodiment of the nozzle; FIG. 16 is a front, top right perspective view thereof; FIG. 17 is a rear, top right perspective view thereof; FIG. 18 a rear, top left perspective view thereof; FIG. 19 is a rear, bottom, right perspective view thereof; FIG. 20 is a rear, bottom left perspective view thereof; FIG. 21 is a front, bottom right perspective view thereof; FIG. 22 is a front, bottom left perspective view thereof; FIG. 23 is a front view thereof; FIG. 24 is a rear view thereof; FIG. 25 is a left view thereof; FIG. 26 is a right view thereof; FIG. 27 is a top view thereof; and, FIG. 28 is a bottom view thereof.

The broken lines in the figures show portions of the nozzle that form no part of the claimed design.

1 Claim, 14 Drawing Sheets



(58) **Field of Classification Search**

CPC A46B 15/0053; A47L 13/225; A47L 9/02;
 A47L 9/0411; A47L 9/0422; A47L
 9/0461; A47L 9/0693; A47L 9/325; A47L
 11/20; A47L 11/24; A47L 11/26; A47L
 11/302; A47L 11/32; A47L 11/34; A47L
 11/4041; B04C 5/185; B08B 1/002; B08B
 9/035; B60S 1/52; B23Q 11/0046; B23Q
 11/0071; E01H 1/0854; E04H 4/1636

See application file for complete search history.

D846,821	S	*	4/2019	Palladino	D32/32
D850,040	S	*	5/2019	Wroblewski	D32/32
D855,269	S	*	7/2019	Palladino	D32/32
D871,000	S	*	12/2019	Johnson	D32/32
D880,091	S	*	3/2020	Tokoi	D32/33
D905,918	S	*	12/2020	Pearce	D32/32
D937,513	S	*	11/2021	Chan	D32/22
11,197,592	B2	*	12/2021	Zhou	A47L 9/26
2006/0162119	A1	*	7/2006	Smith	A47L 9/0416 15/388
2016/0220082	A1	*	8/2016	Thorne	A47L 9/0444
2016/0220083	A1	*	8/2016	Thorne	A47L 9/02
2016/0220084	A1	*	8/2016	Xu	A47L 9/0444
2019/0269289	A1	*	9/2019	Xu	A47L 5/30

(56) **References Cited**

U.S. PATENT DOCUMENTS

D456,967	S	*	5/2002	Santiago	D32/32
D511,231	S	*	11/2005	Langham	D32/33
D594,612	S	*	6/2009	Umeda	D32/32
D619,315	S	*	7/2010	Ayers	D32/32
D703,402	S	*	4/2014	Thorne	D32/32
D762,031	S	*	7/2016	Niedzwecki	D32/32
D770,109	S	*	10/2016	Chu, Jr.	D32/32
D820,541	S	*	6/2018	Haverkamp	D32/32

OTHER PUBLICATIONS

Shark APEX UpLight Corded Lift-Away Vacuum—Review & Tests!, announced in YouTube on date Sep. 6, 2019 [online], [site visited date Jun. 8, 2021], Available from the internet URL: https://www.youtube.com/watch?v=pLYMC1fa_KU (Year: 2019).*

* cited by examiner

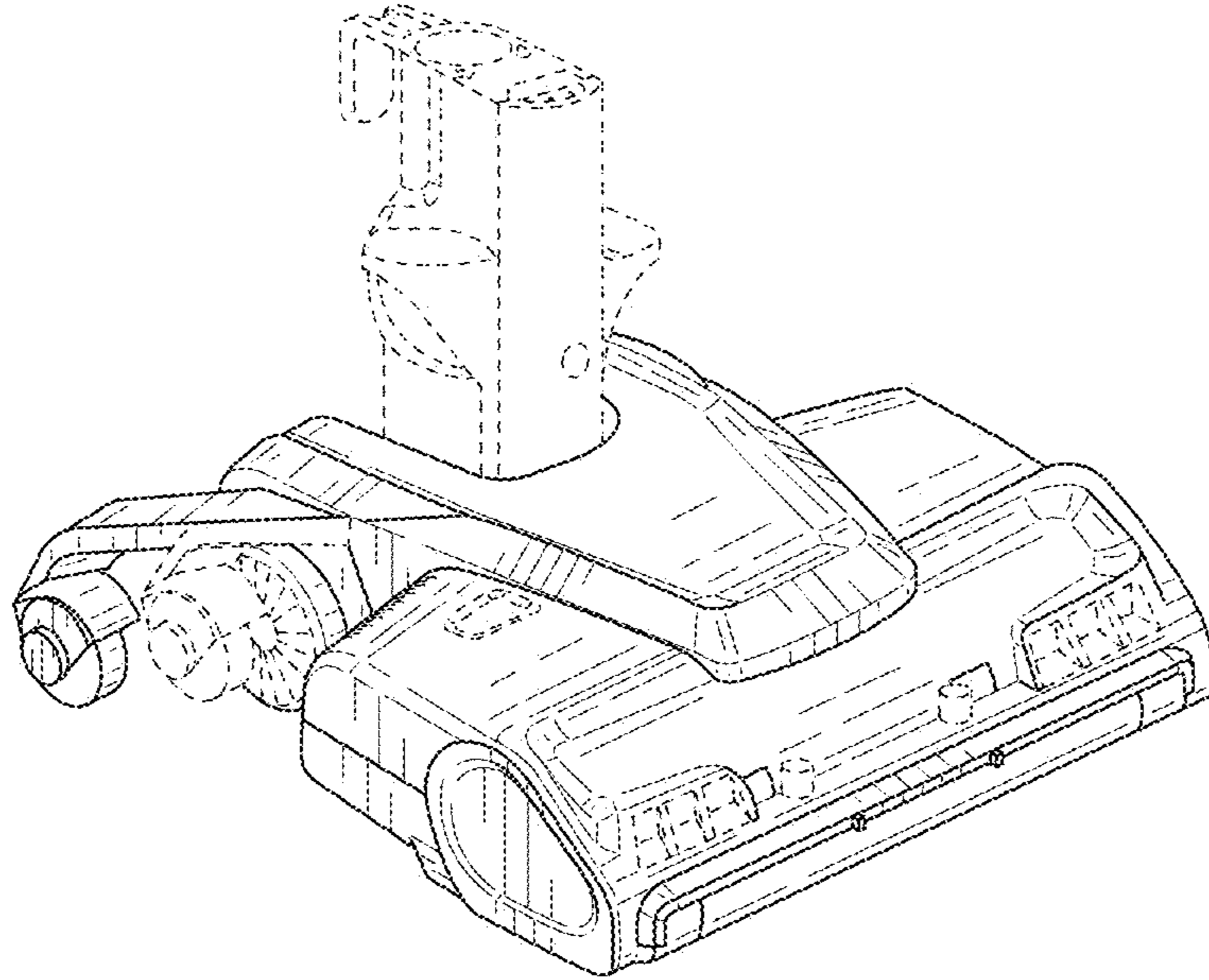


FIG. 1

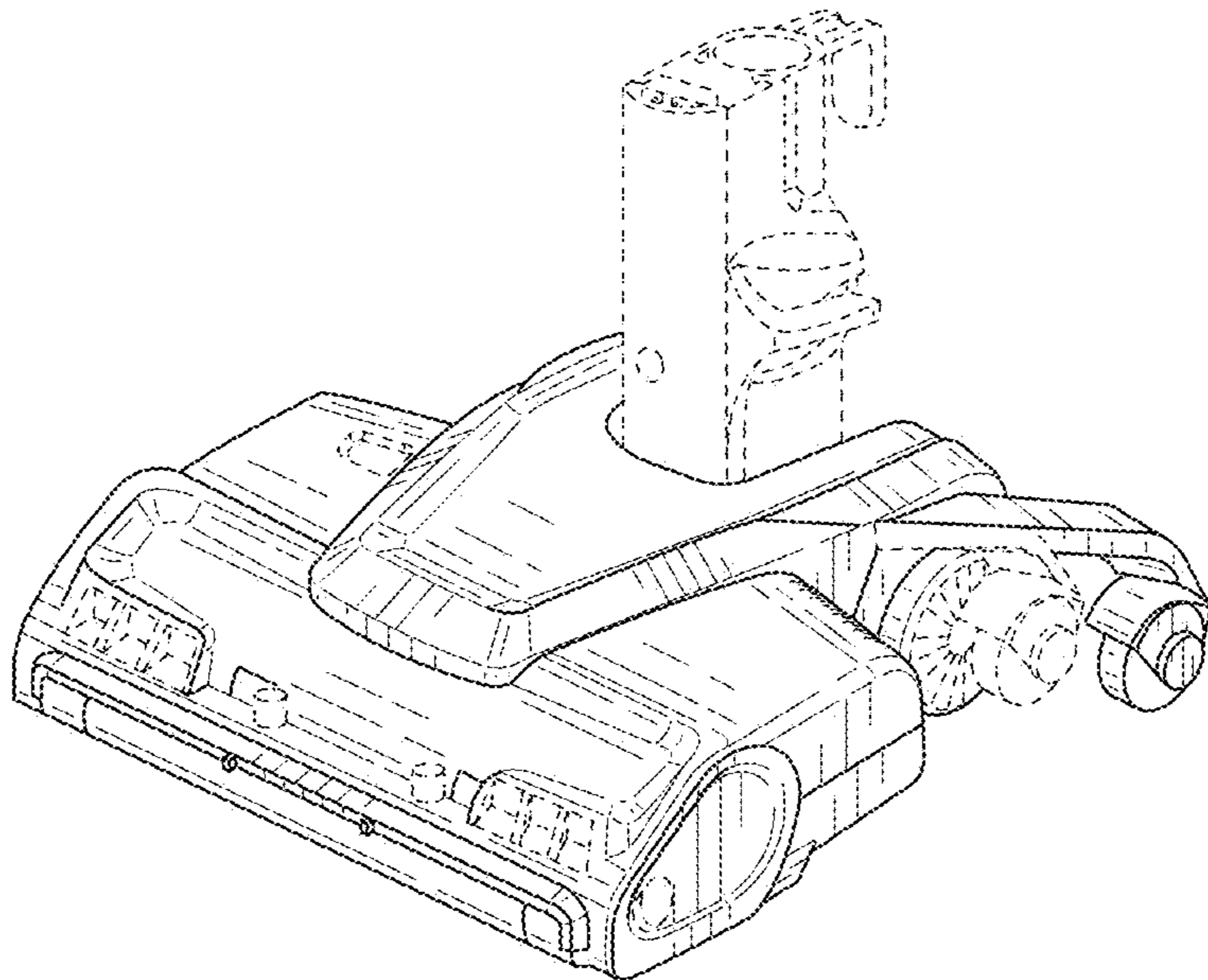


FIG. 2

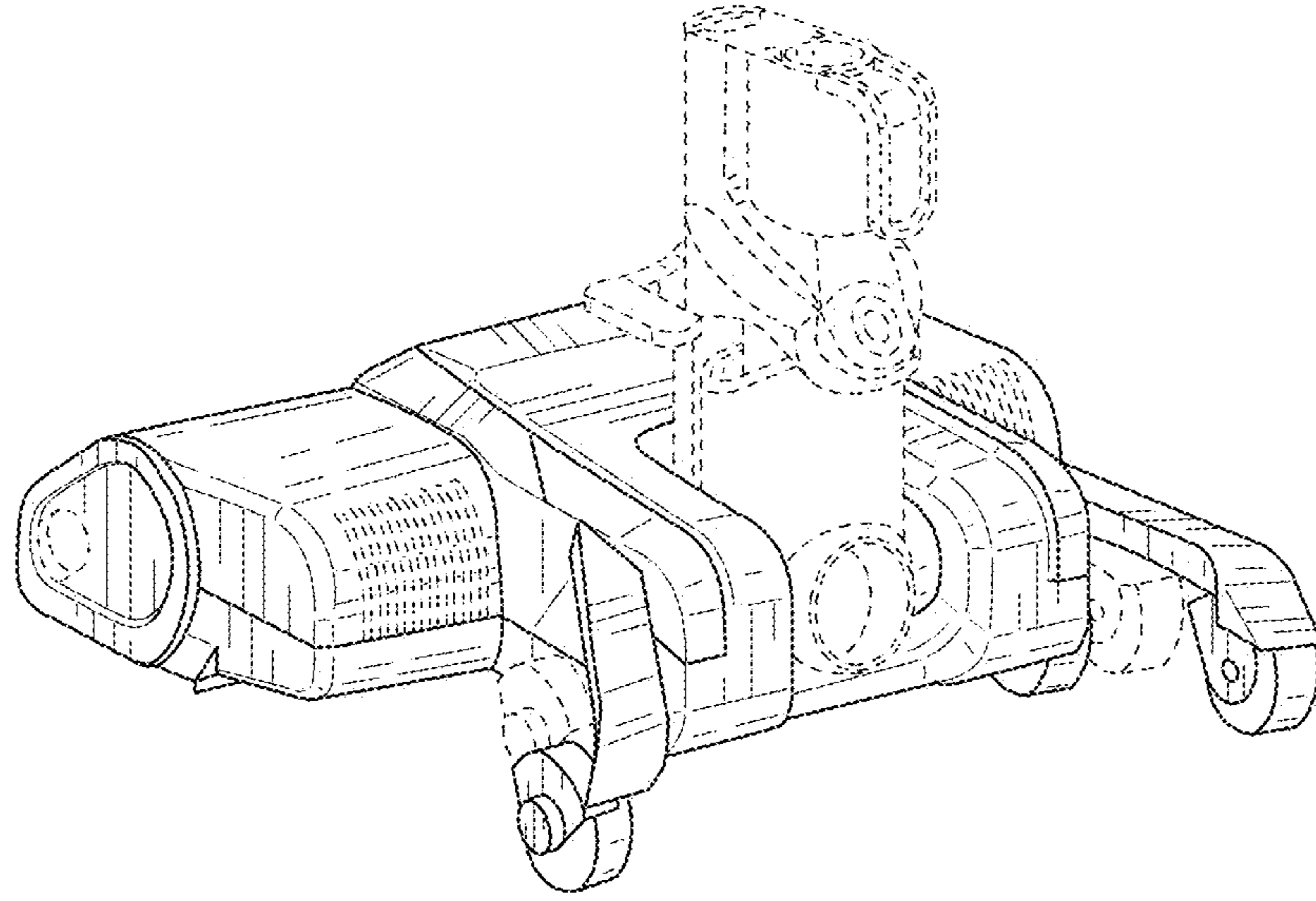


FIG. 3

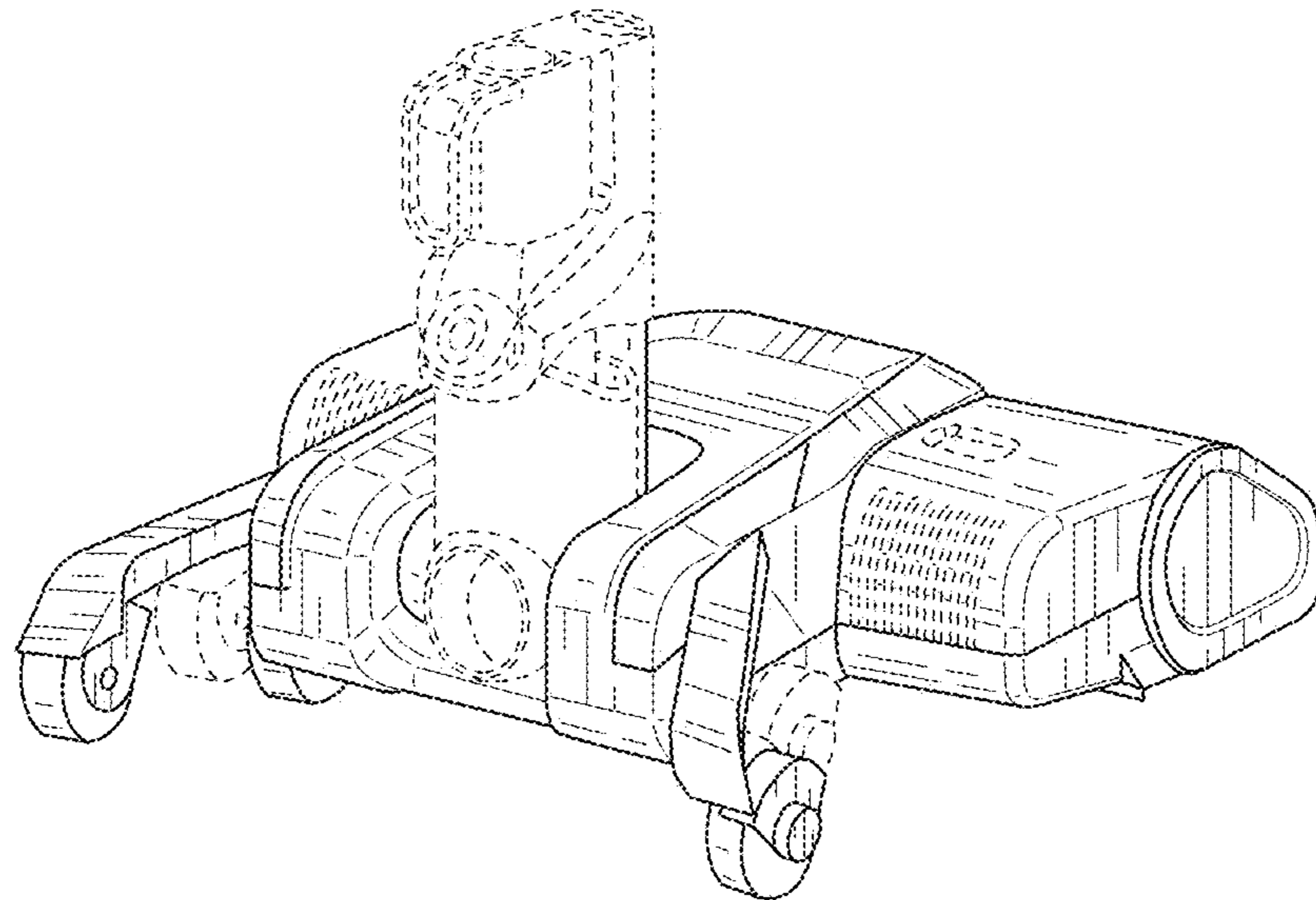


FIG. 4

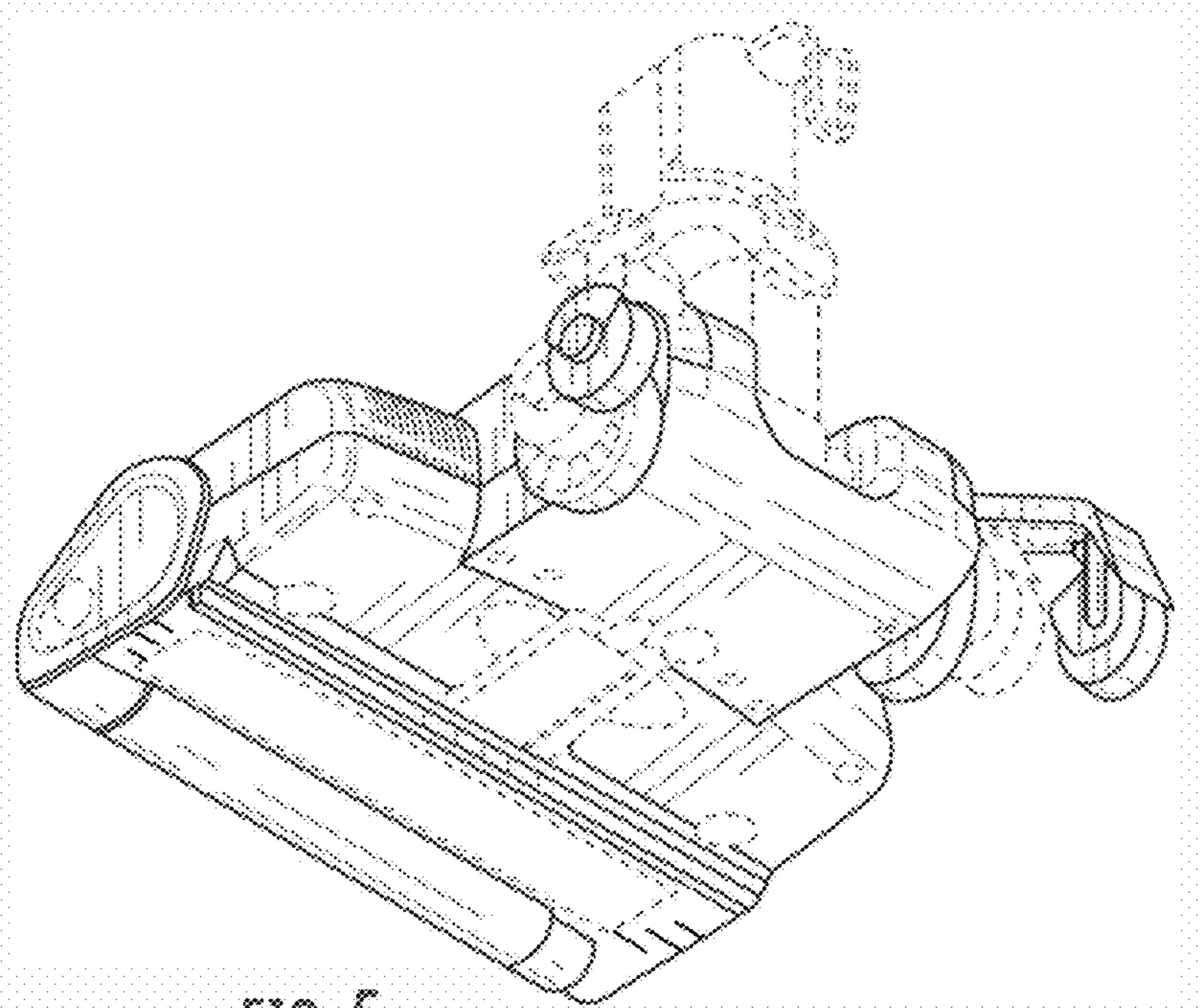


FIG. 5

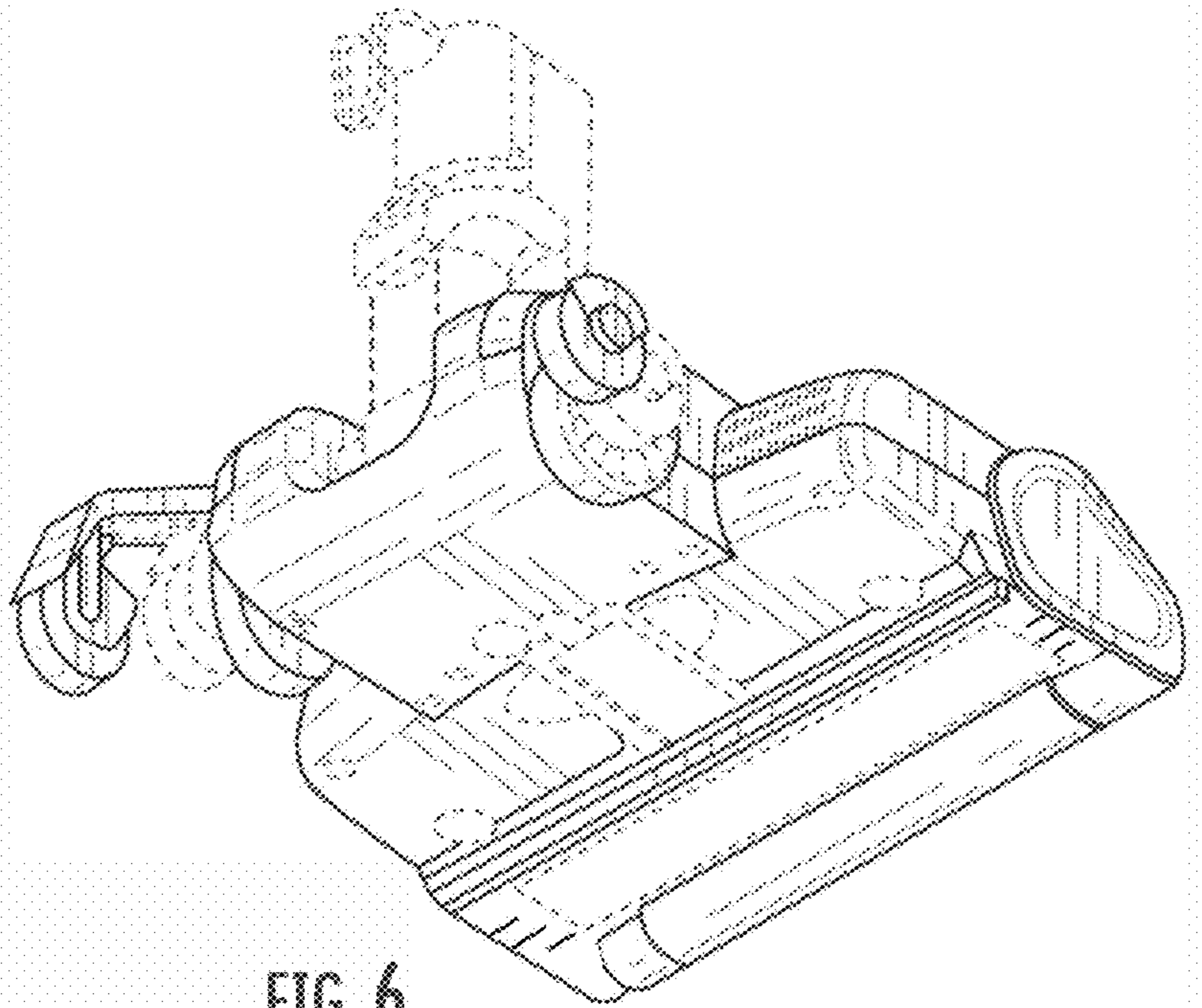


FIG. 6

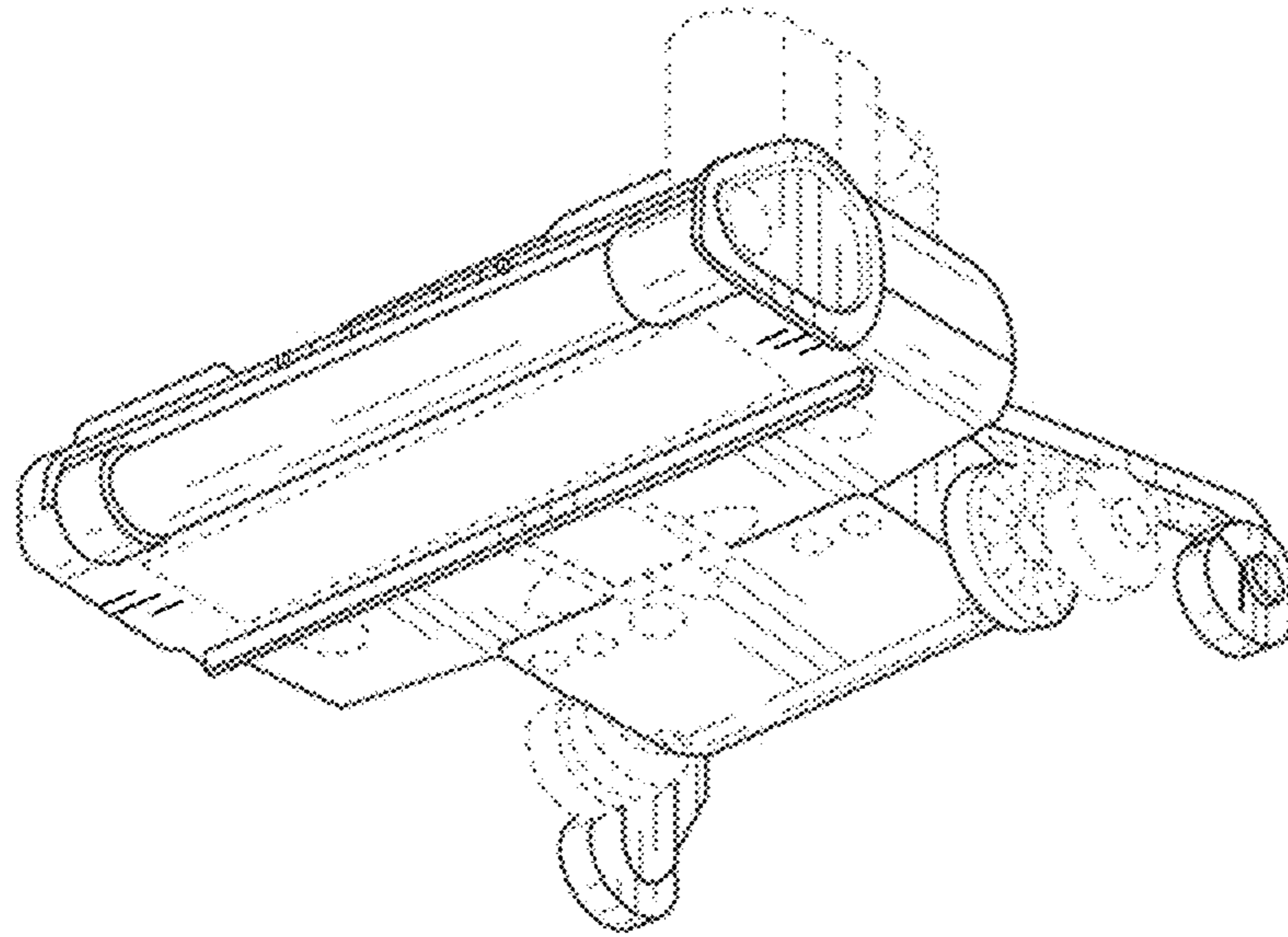


FIG. 7

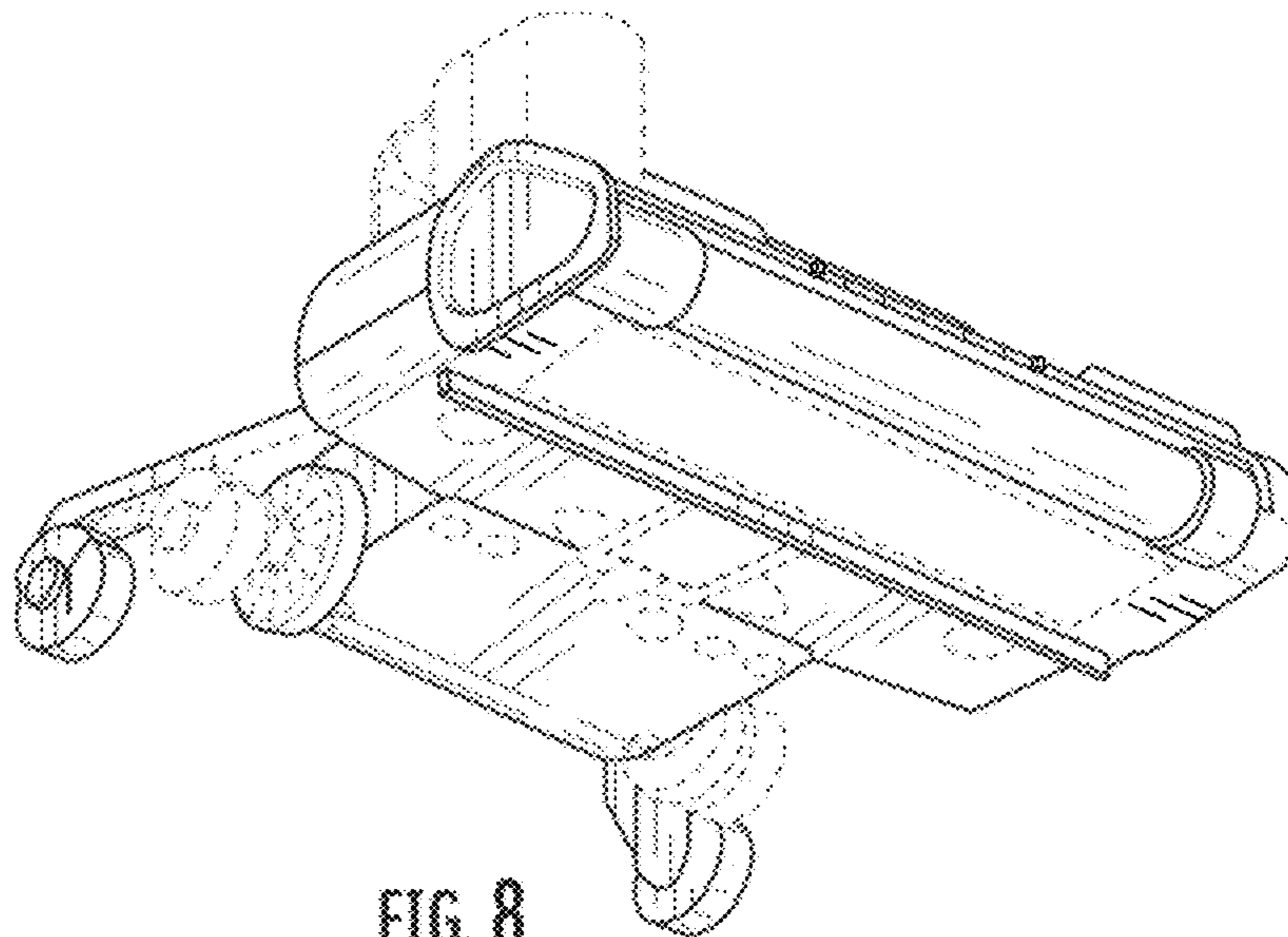


FIG. 8

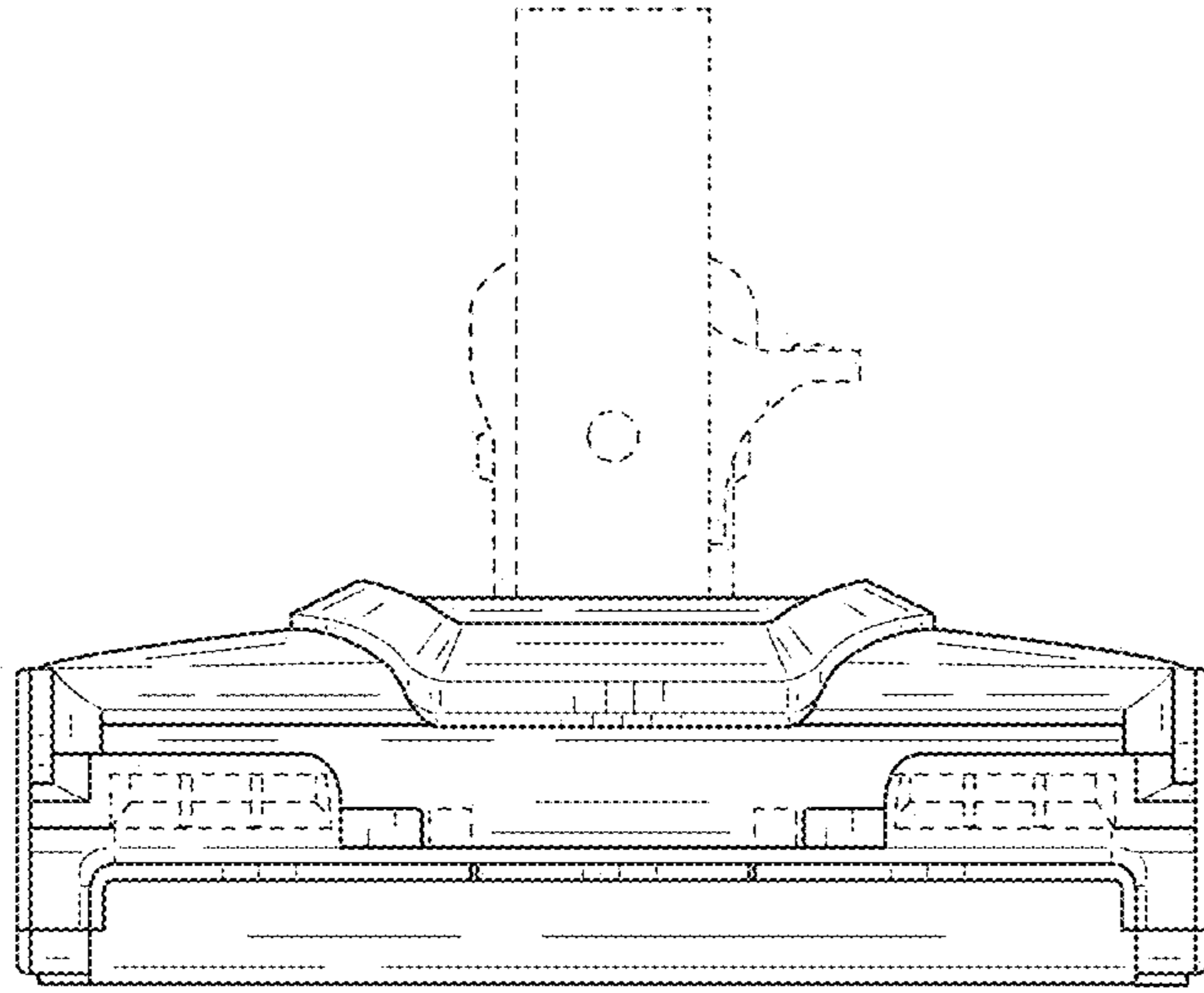


FIG. 9

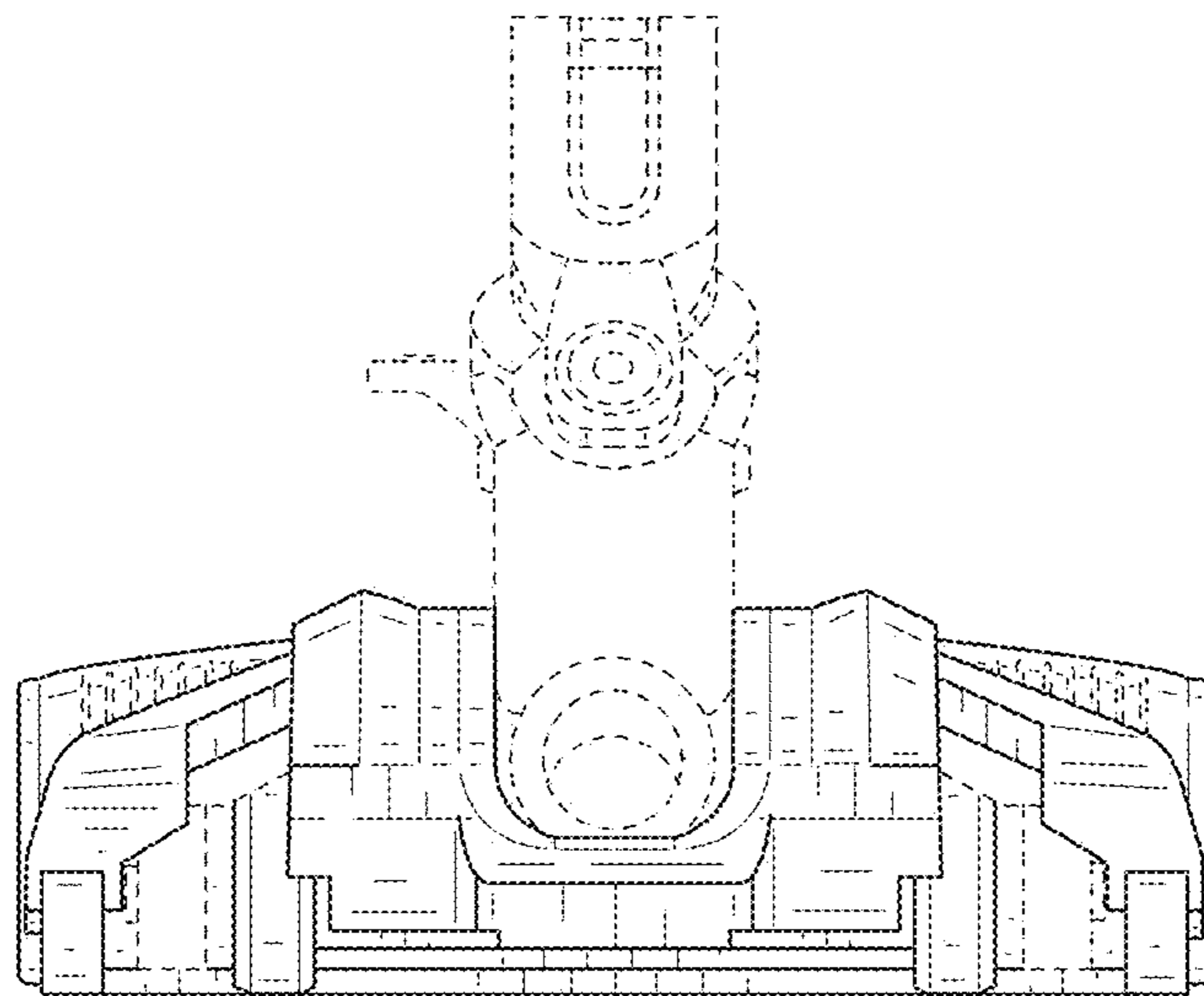


FIG. 10

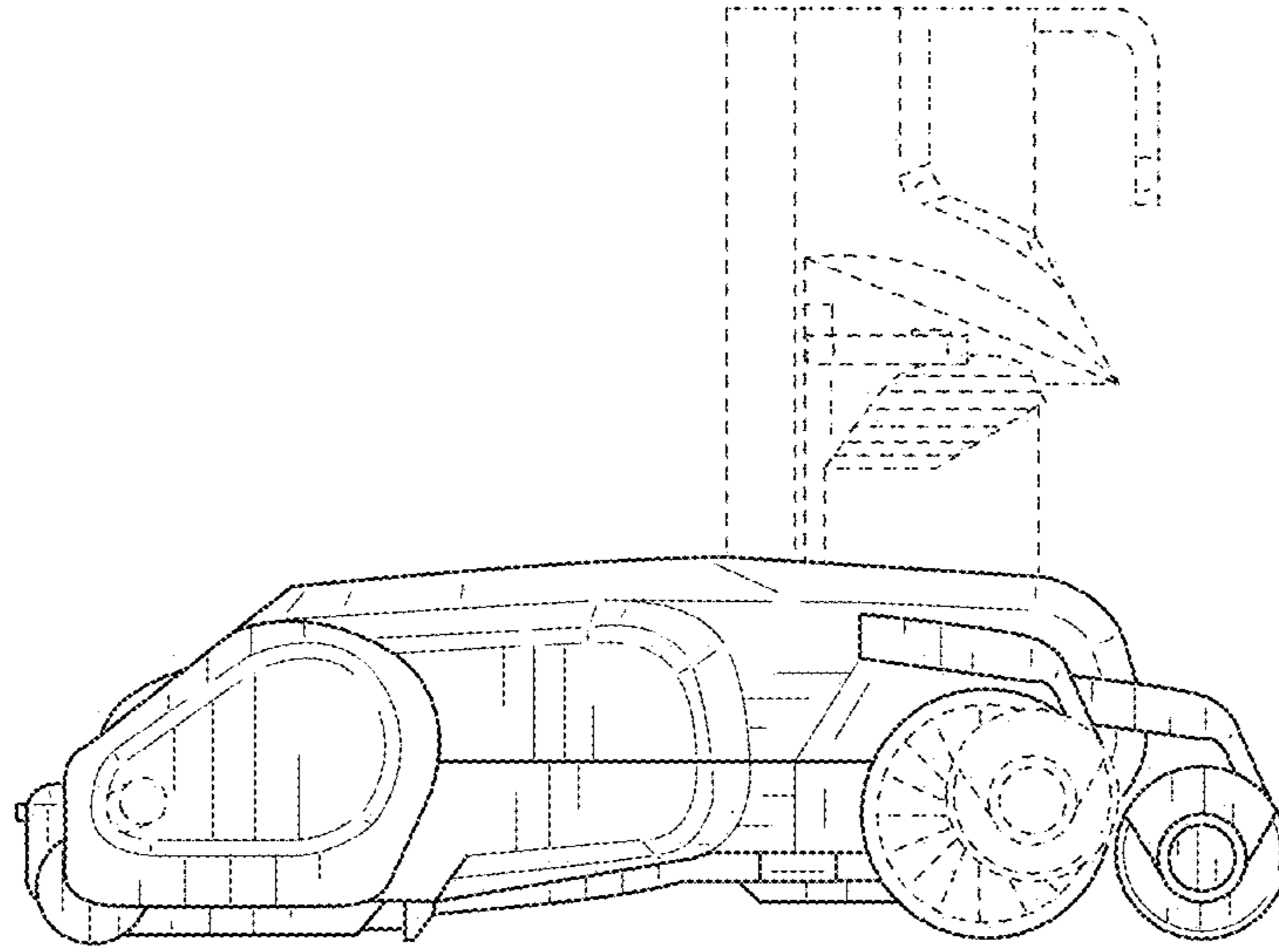


FIG. 11

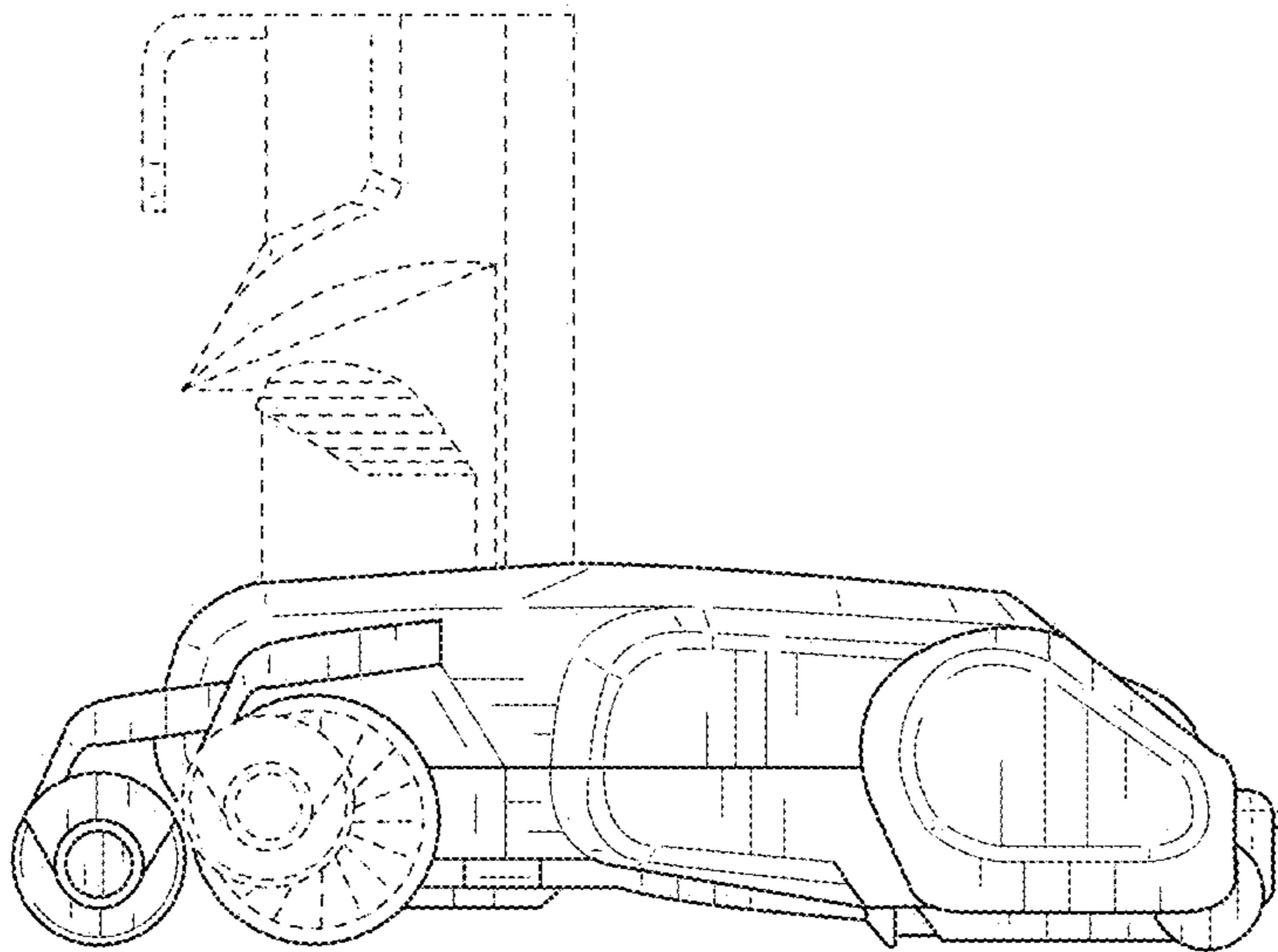


FIG. 12

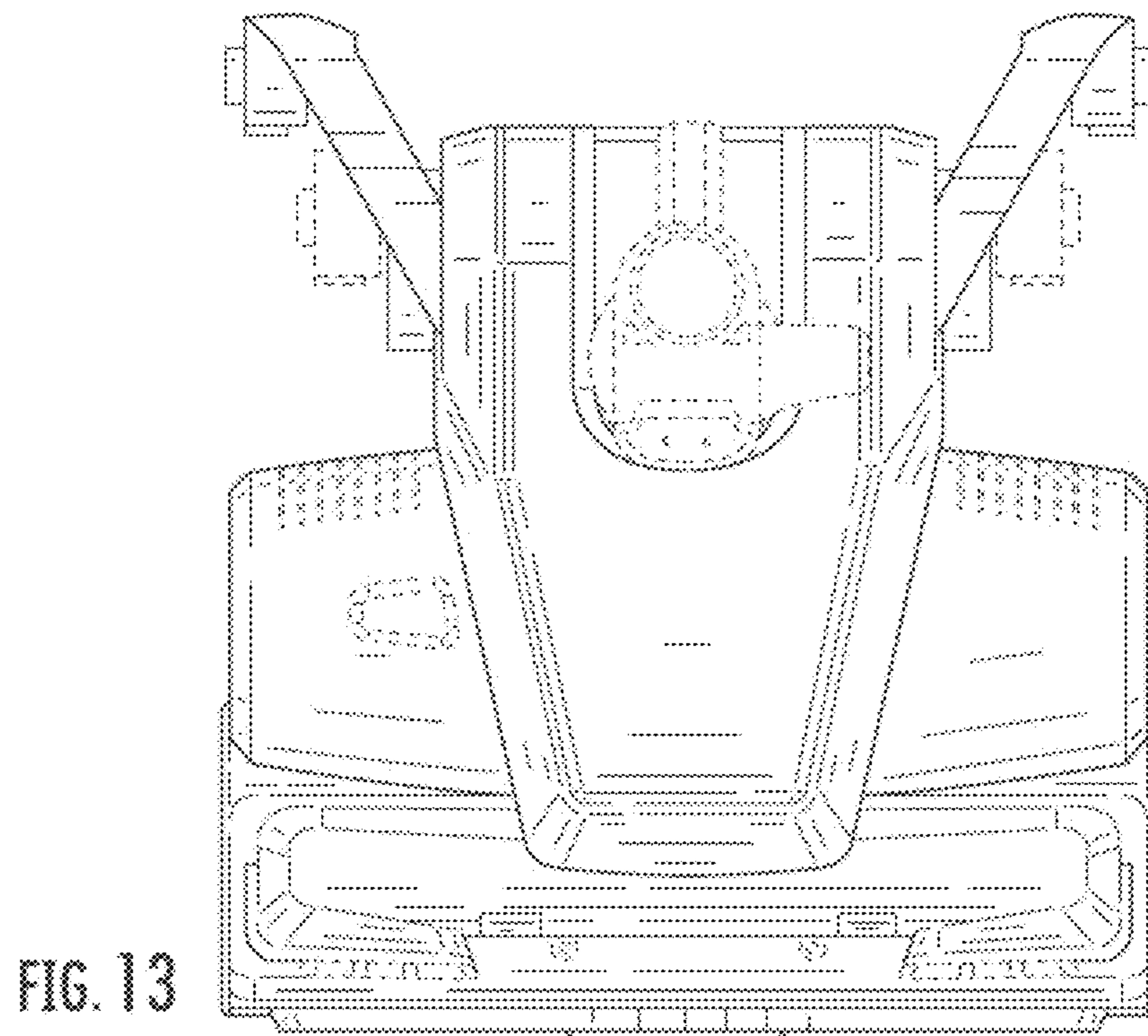


FIG. 13

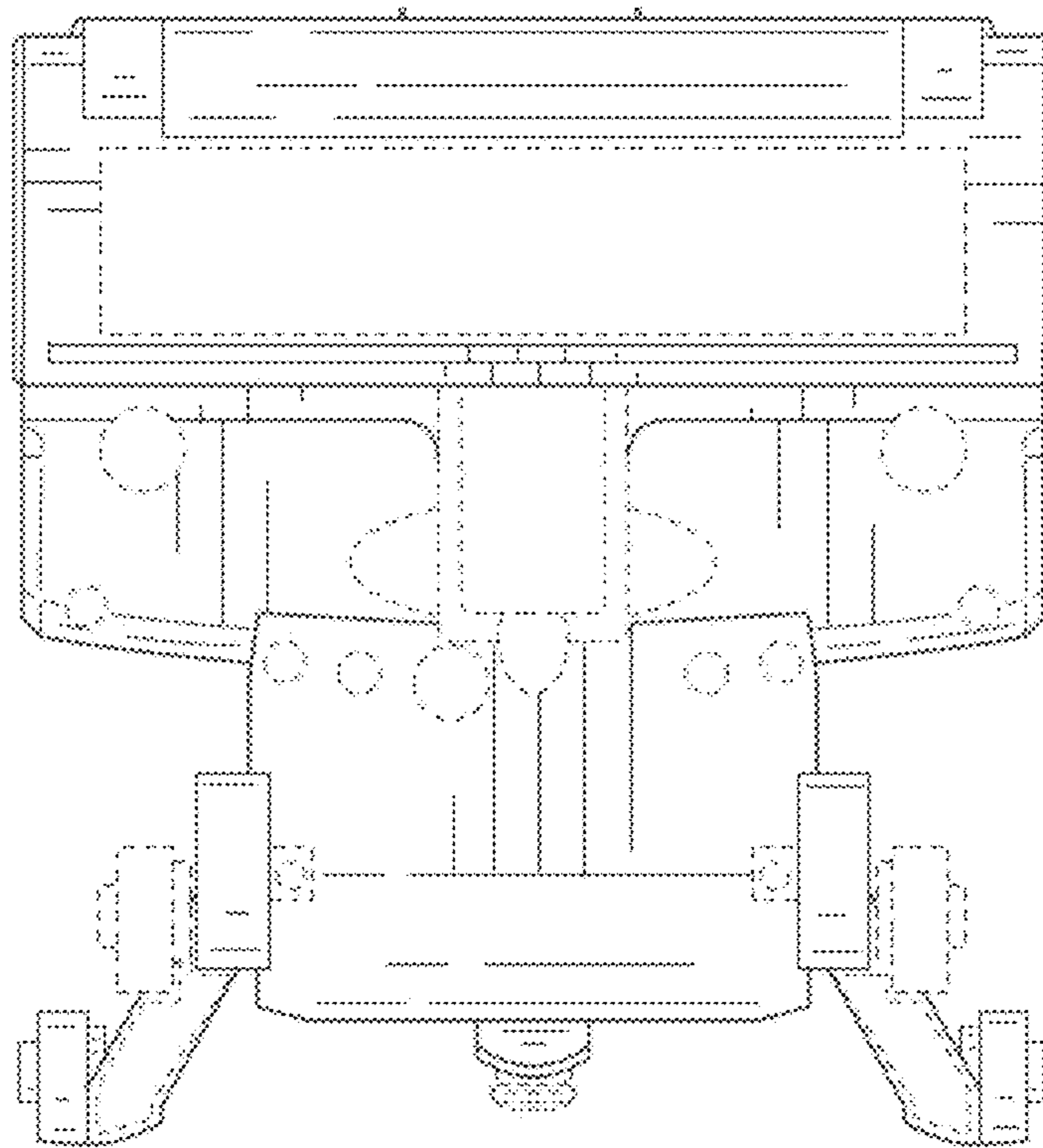


FIG. 14

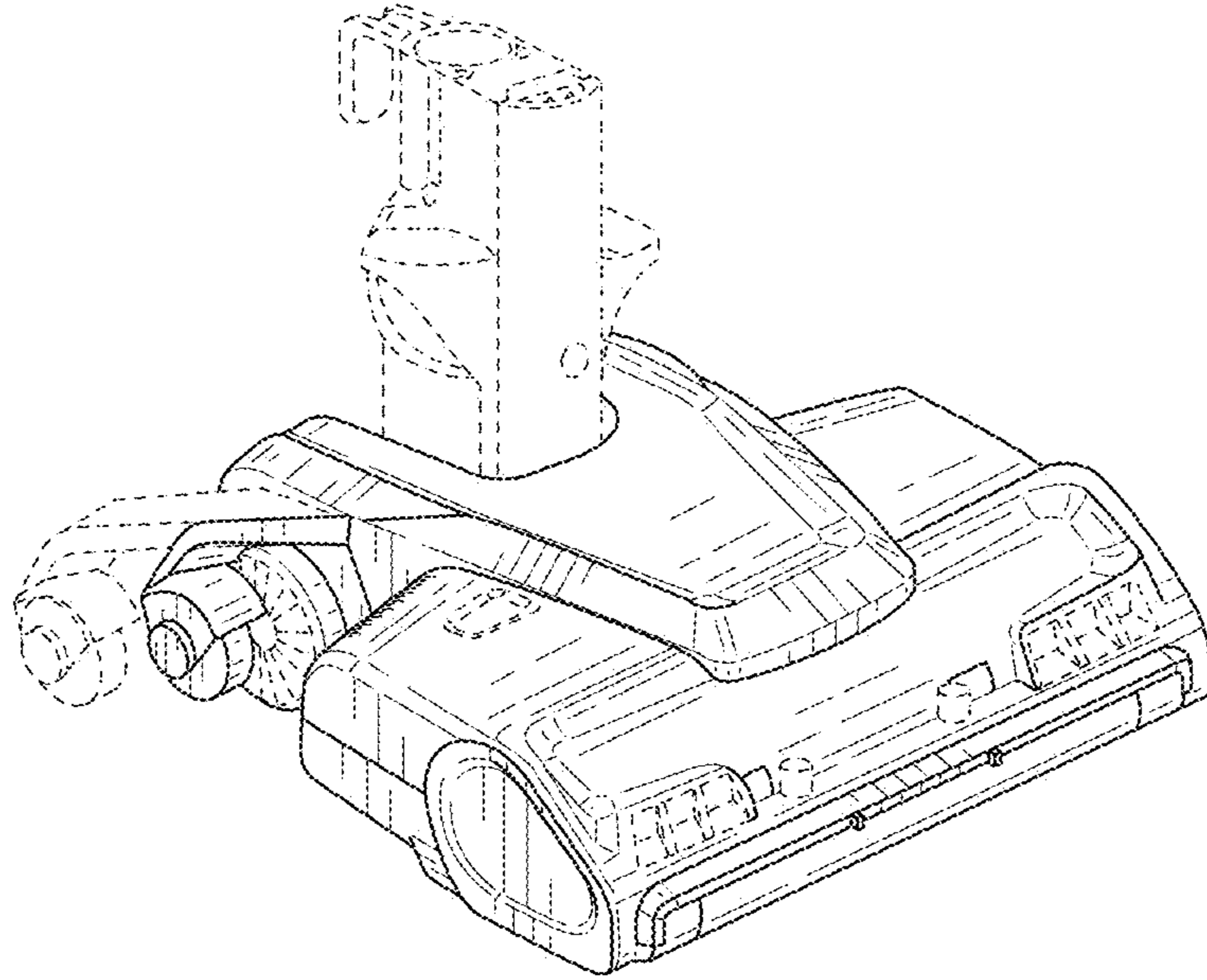


FIG. 15

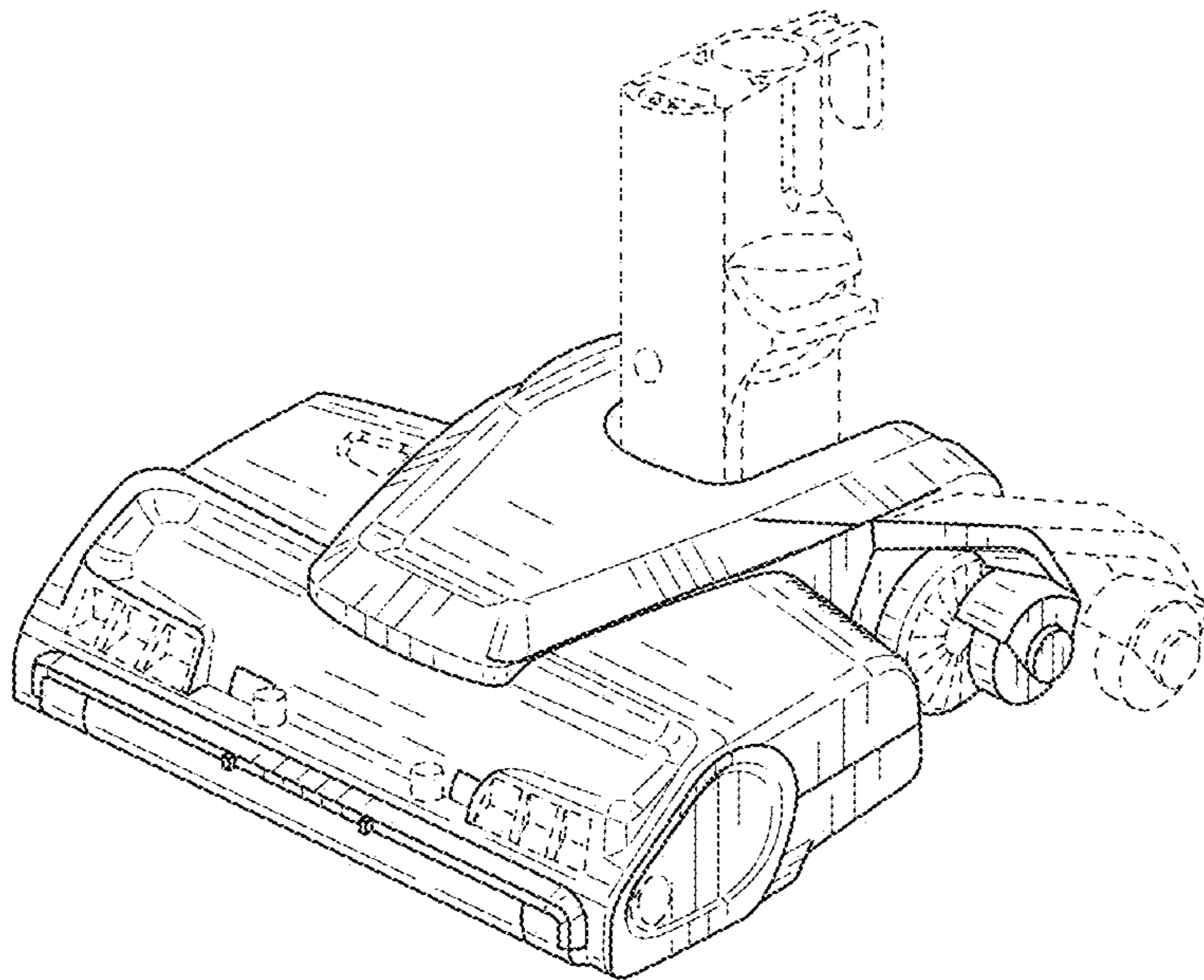


FIG. 16

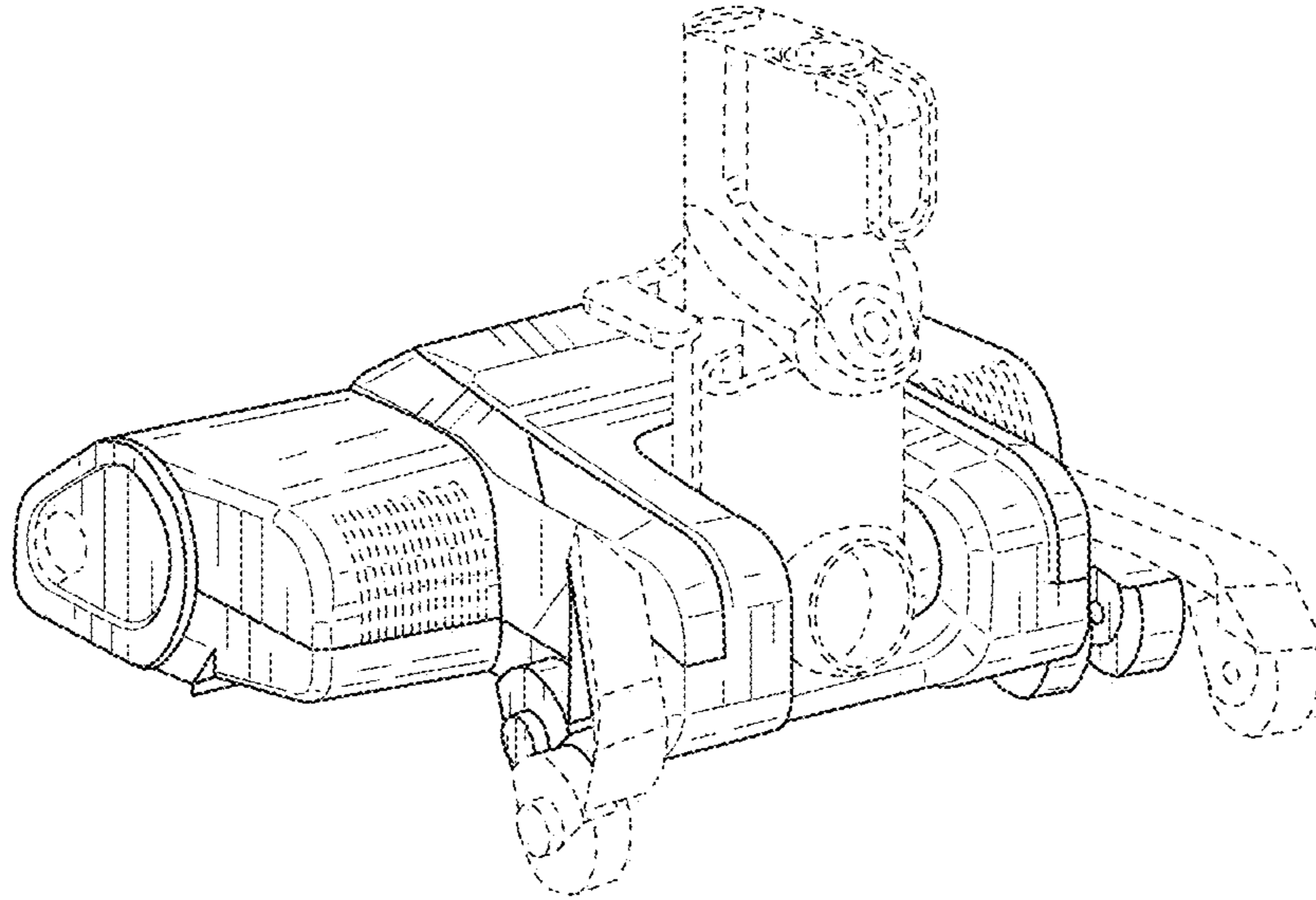


FIG. 17

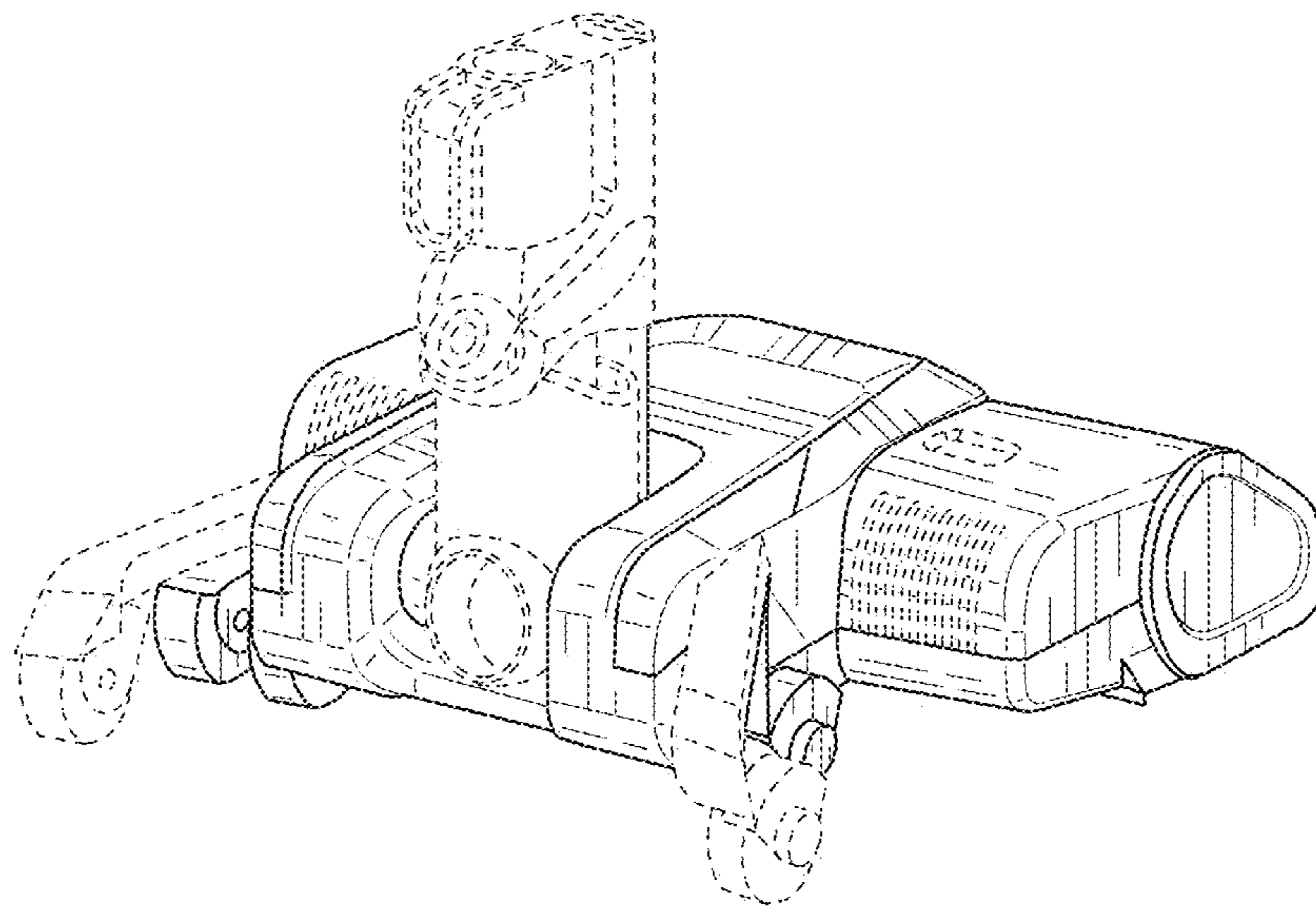


FIG. 18

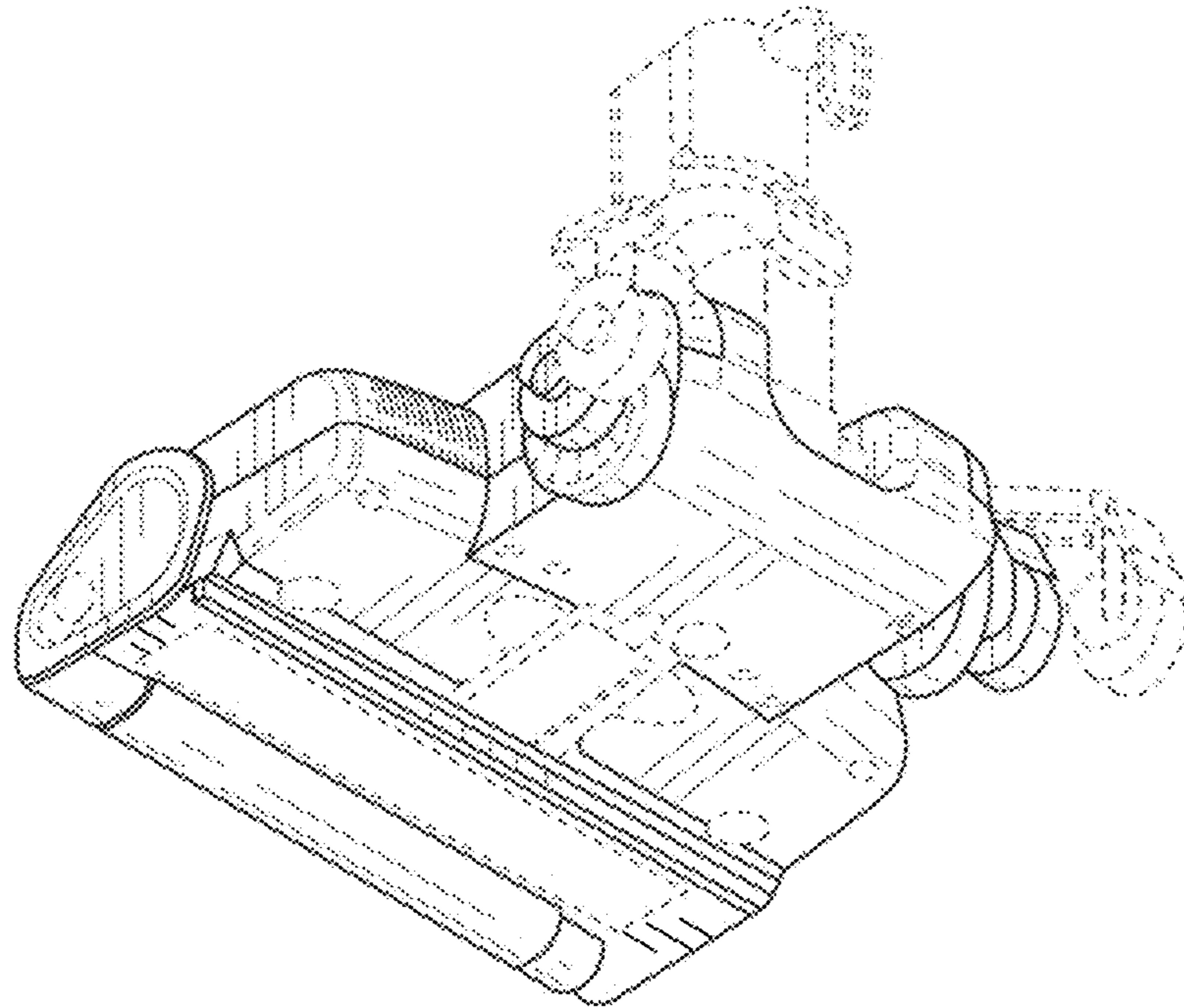


FIG. 19

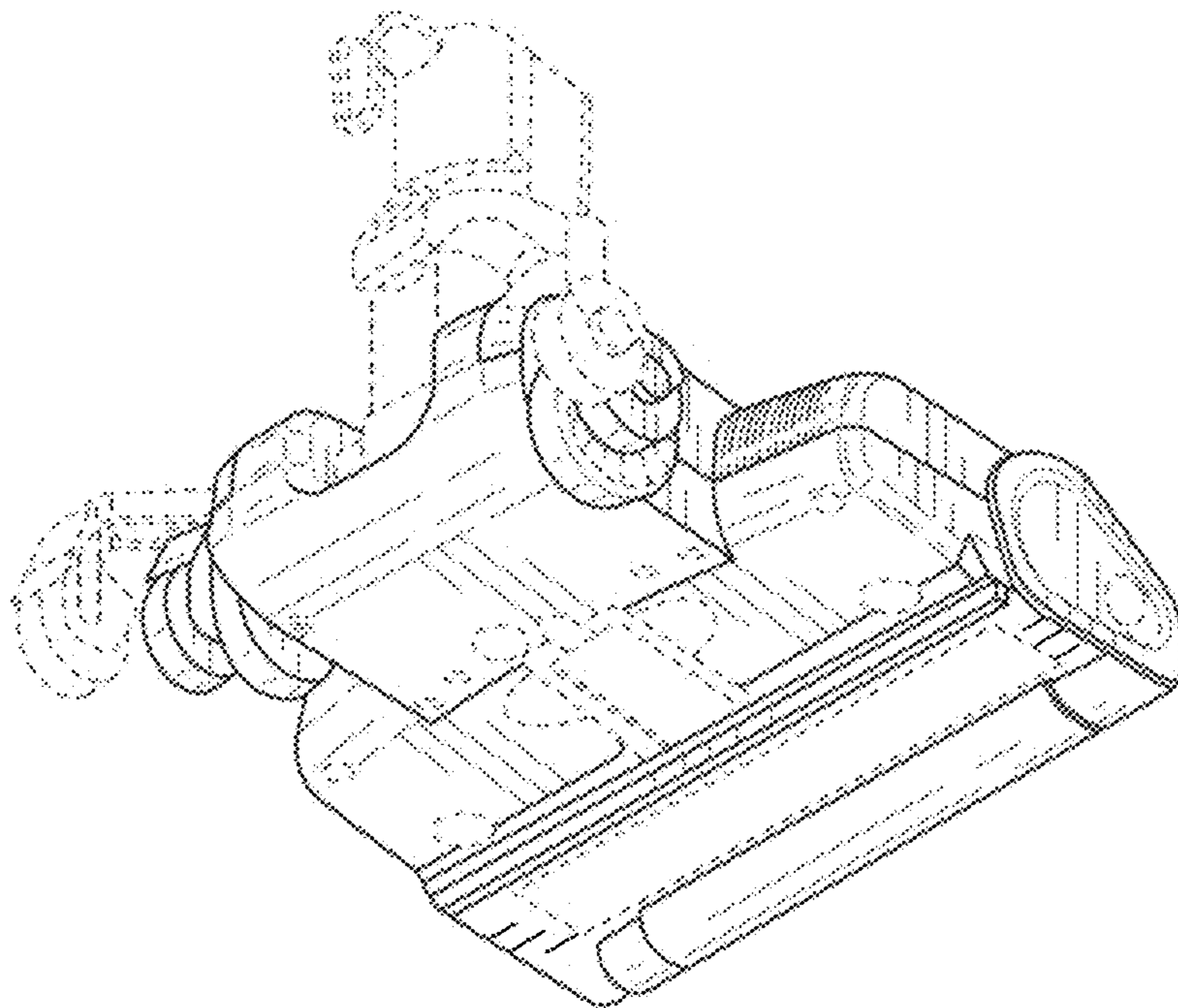


FIG. 20

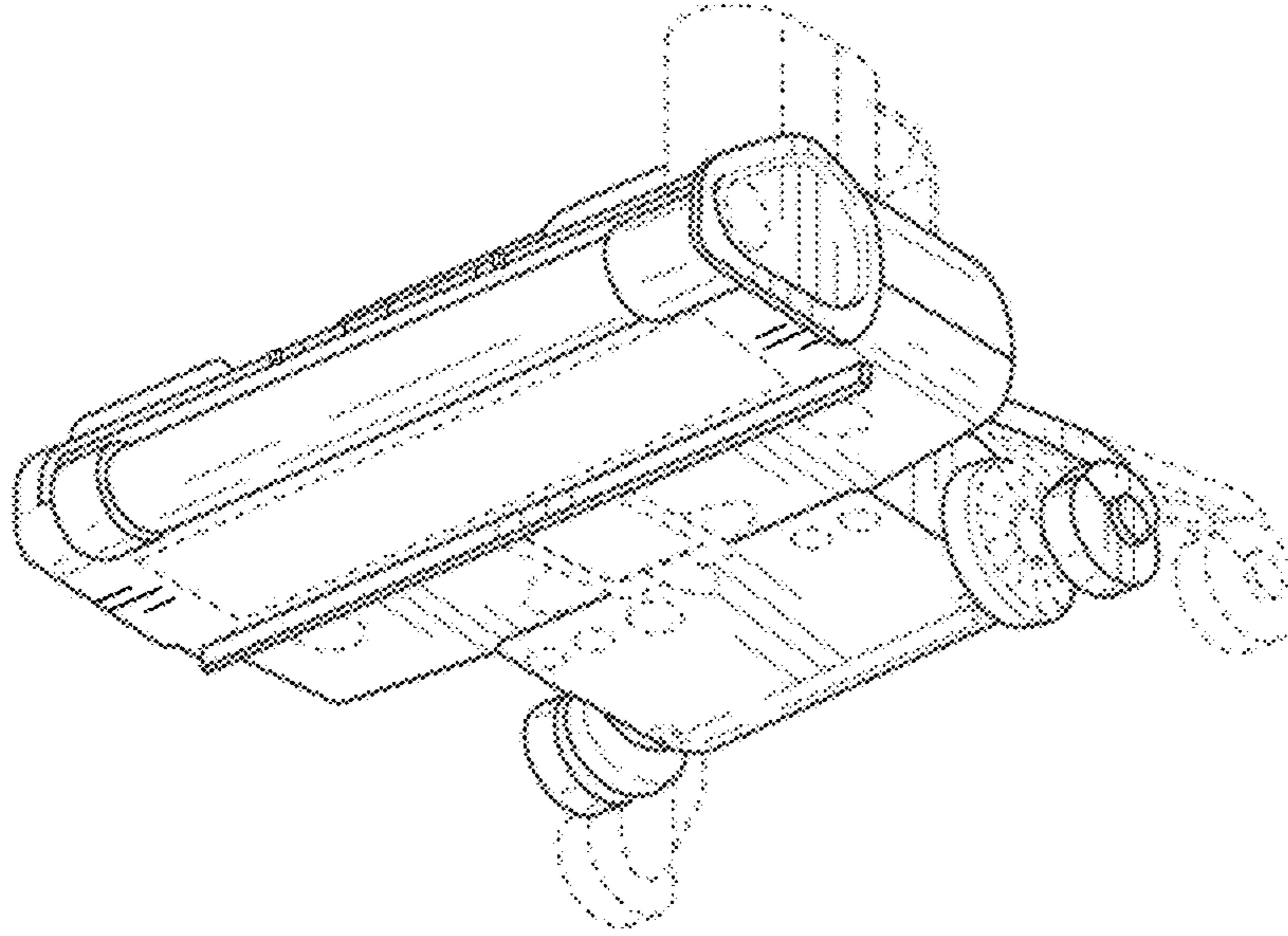


FIG. 21

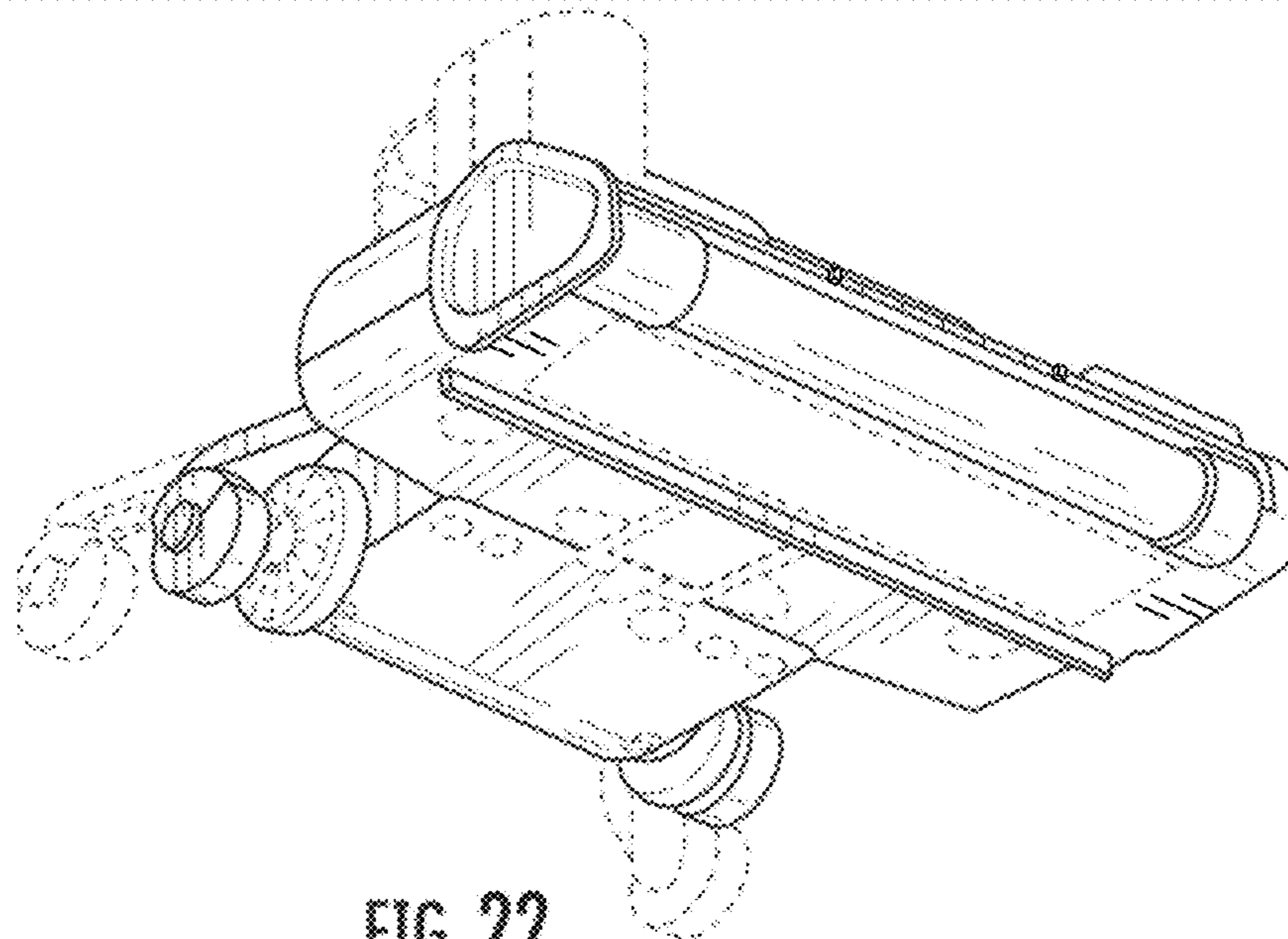


FIG. 22

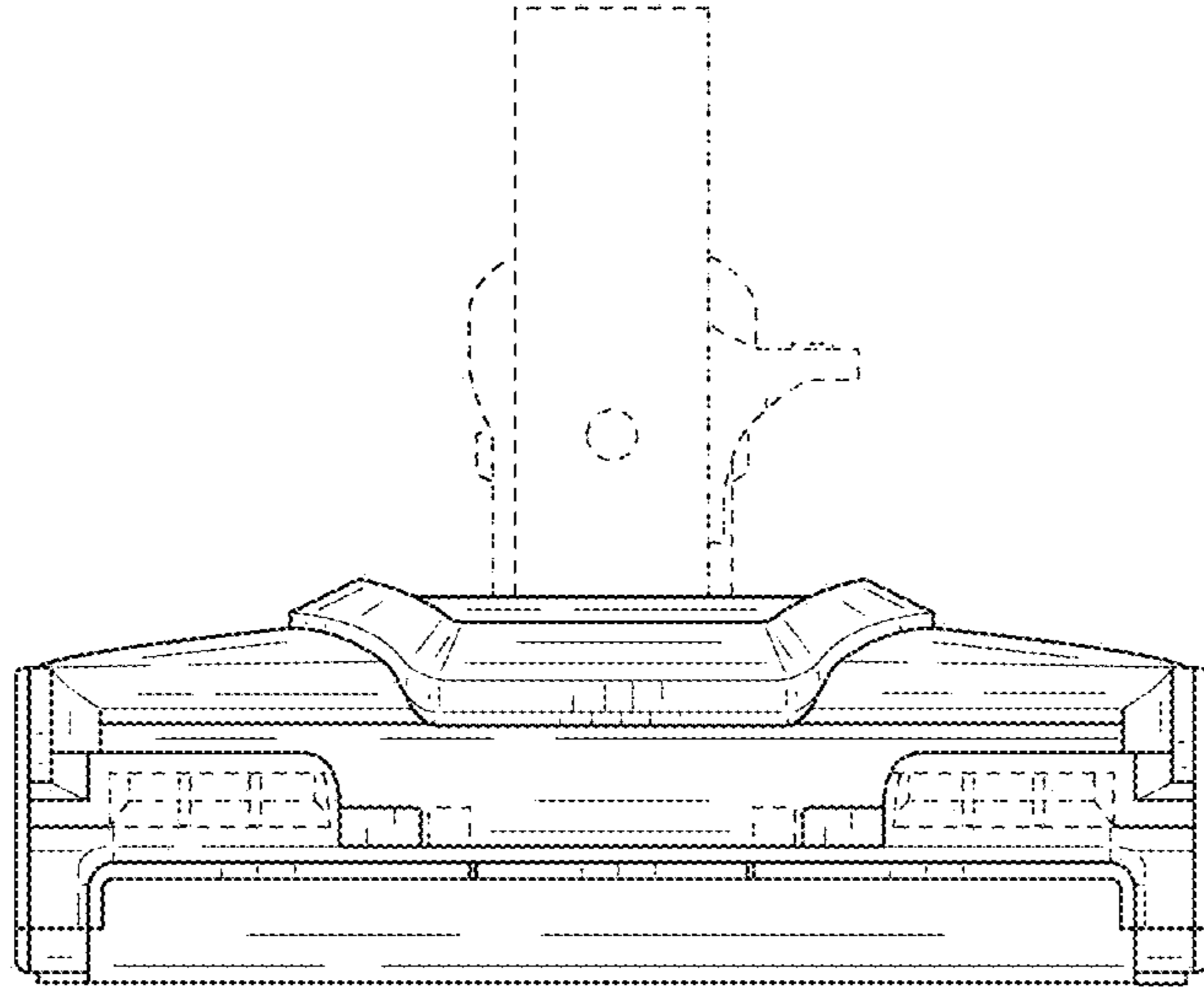


FIG. 23

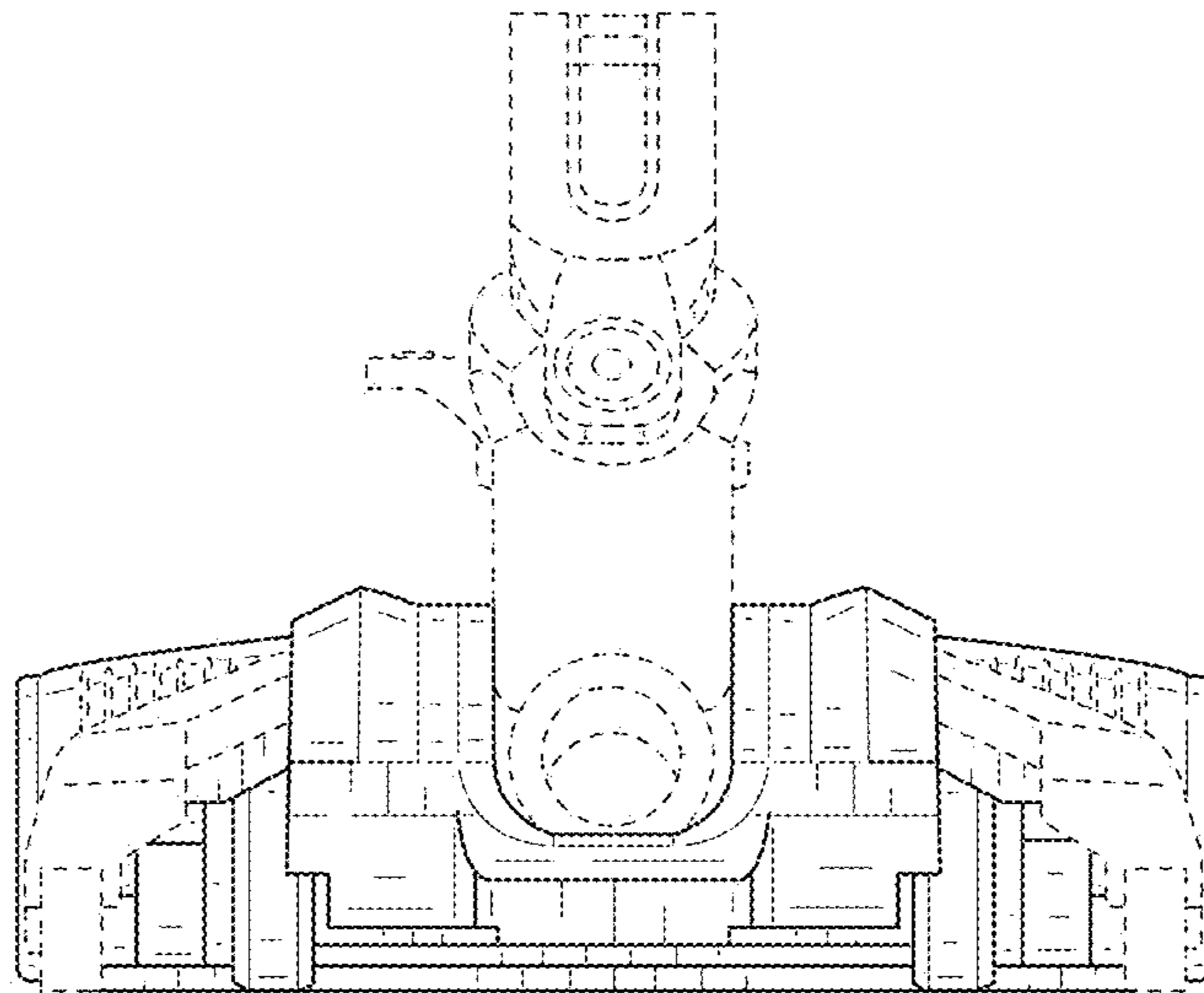


FIG. 24

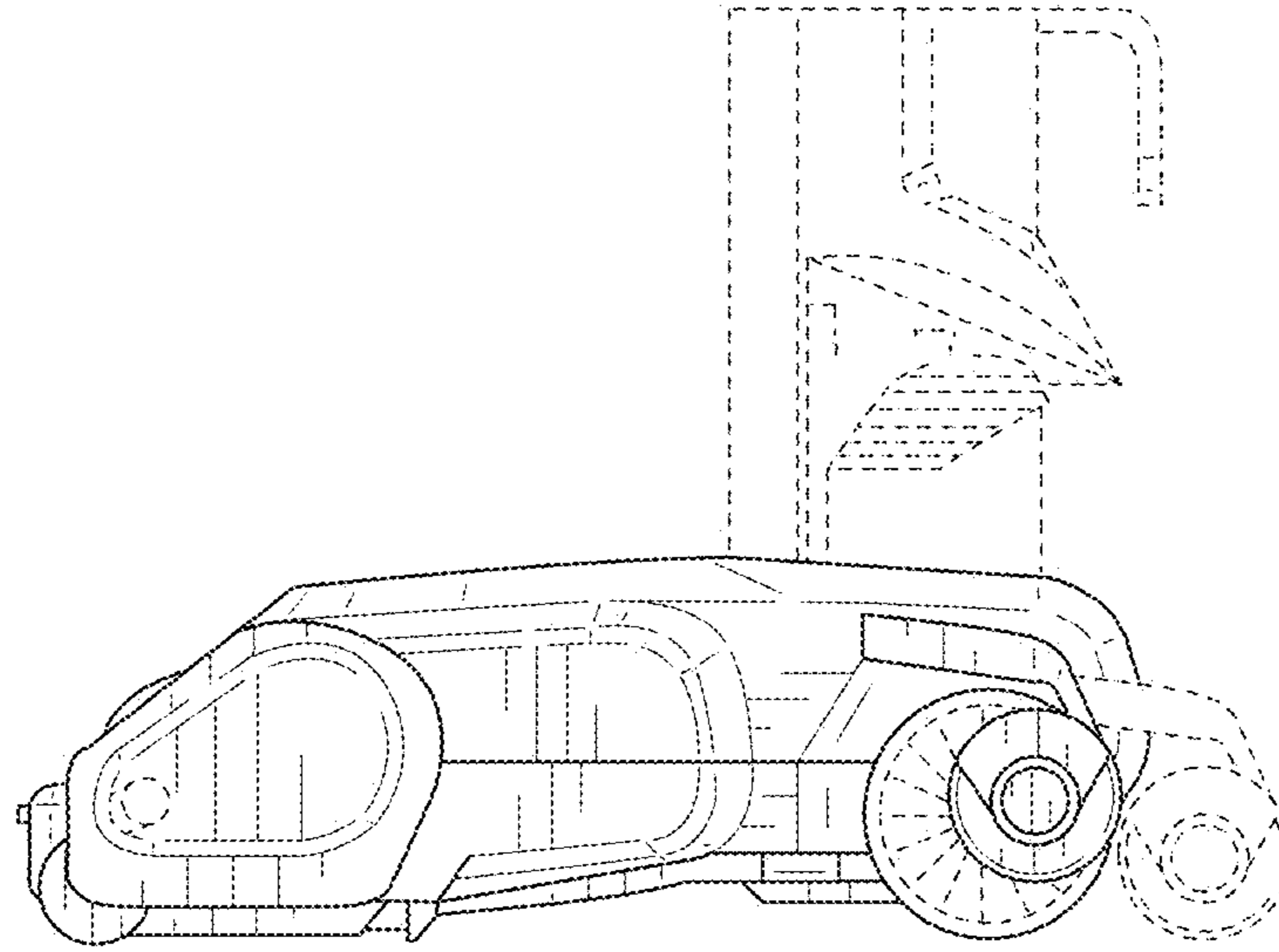


FIG. 25

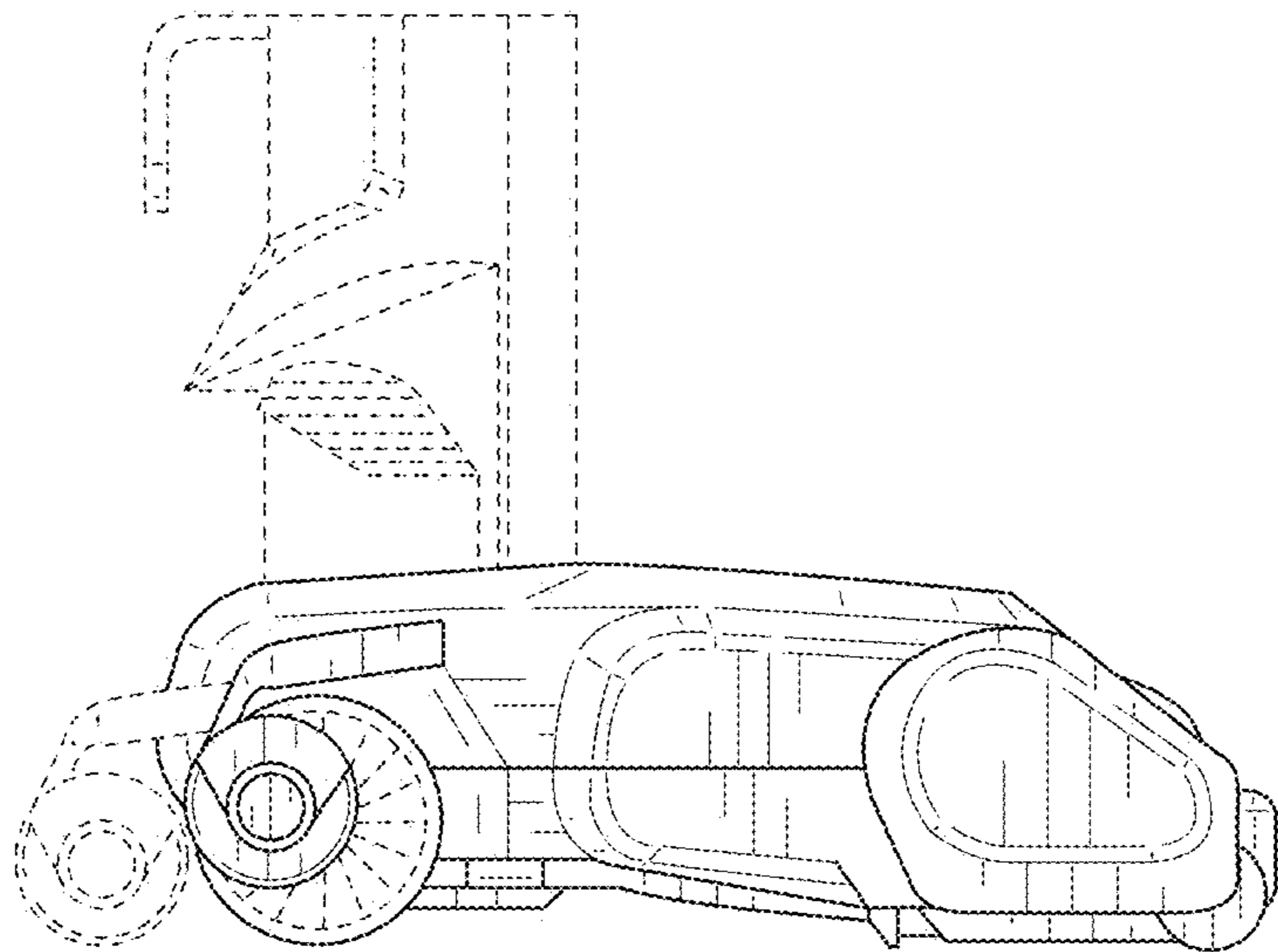


FIG. 26

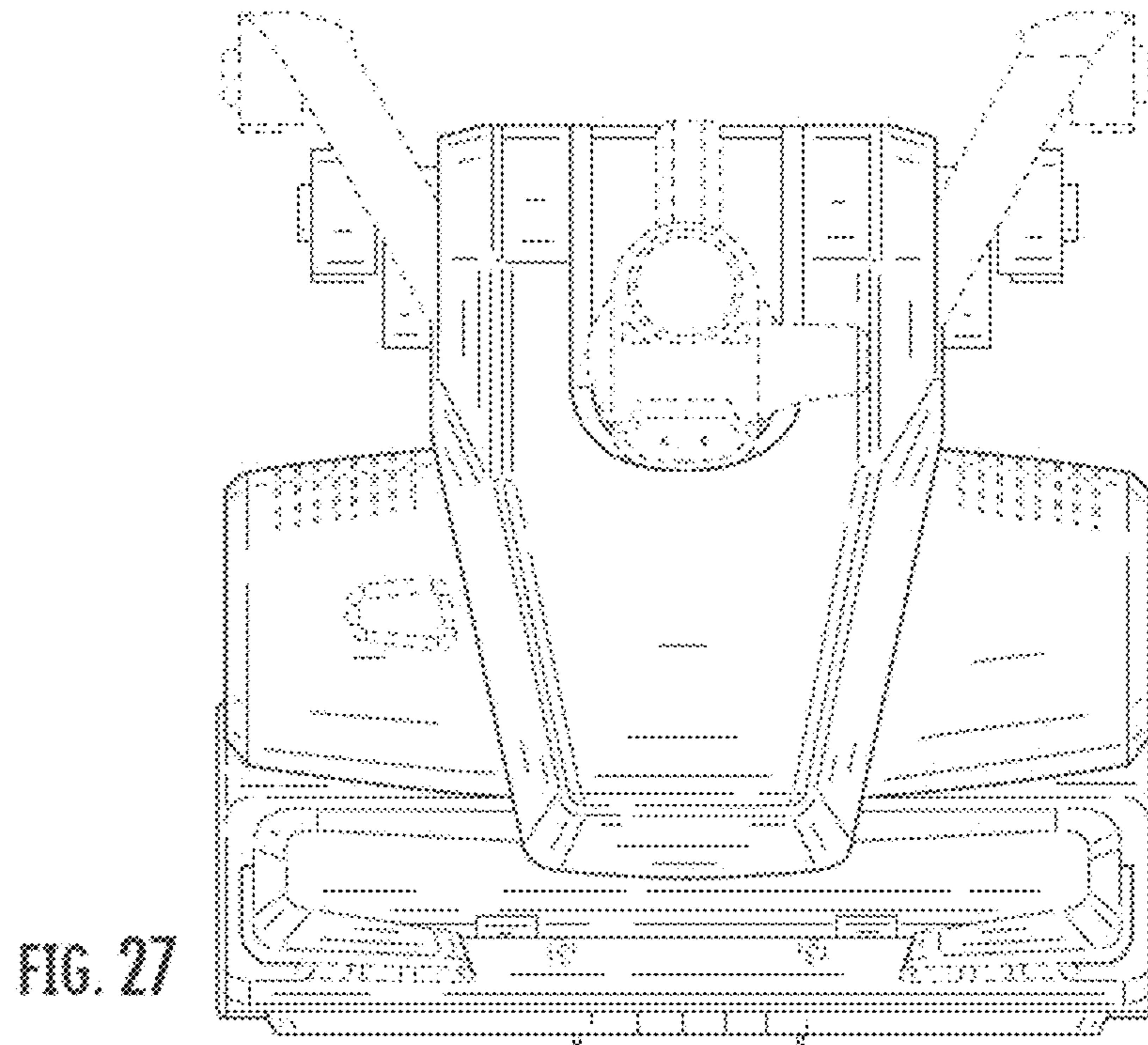


FIG. 28

