



US00D959075S

(12) **United States Design Patent**
Knapp et al.

(10) **Patent No.:** **US D959,075 S**
(45) **Date of Patent:** **** Jul. 26, 2022**

- (54) **BODY FOR A FLOOR CLEANER**
- (71) Applicant: **BISSELL Inc.**, Grand Rapids, MI (US)
- (72) Inventors: **Mackenzie L. Knapp**, Saranac, MI (US); **Dennis J. Wroblewski**, Lowell, MI (US)
- (73) Assignee: **BISSELL Inc.**, Grand Rapids, MI (US)
- (**) Term: **15 Years**

| | | | | | | |
|--------------|----|---|---------|------------|-------|-------------|
| D928,432 | S | * | 8/2021 | Knapp | | D32/22 |
| D928,433 | S | * | 8/2021 | Knapp | | D32/22 |
| D928,435 | S | * | 8/2021 | Knapp | | D32/22 |
| D930,926 | S | * | 9/2021 | Wroblewski | | D32/22 |
| 11,197,592 | B2 | * | 12/2021 | Zhou | | A47L 9/26 |
| D946,220 | S | * | 3/2022 | Shrader | | D32/22 |
| 2015/0059123 | A1 | * | 3/2015 | Kasper | | A47L 9/064 |
| | | | | | | 15/383 |
| 2016/0037987 | A1 | * | 2/2016 | Caro | | A47L 9/04 |
| | | | | | | 15/334 |
| 2018/0140148 | A1 | * | 5/2018 | Paulla | | A47L 9/1666 |

- (21) Appl. No.: **29/775,348**
 - (22) Filed: **Mar. 23, 2021**
 - (51) **LOC (13) Cl.** **15-05**
 - (52) **U.S. Cl.**
USPC **D32/22; D32/31**
 - (58) **Field of Classification Search**
USPC D32/15, 17-24, 31-34
CPC .. A47L 5/24; A47L 11/04; A47L 11/22; A47L 5/28; A47L 9/106; A47L 11/30; B04C 5/185
- See application file for complete search history.

OTHER PUBLICATIONS

BISSELL SurfaceSense Pet Multi-Surface Vacuum 2817 (on-line), dated Nov. 9, 2021. Retrieved from Internet May 3, 2022, URL: <http://web.archive.org/20211109012529/https://www.bestbuy.com/site/bissell-surfacesense-pet-multi-surface-vacuum-2817-black/6471388.p?skuld=6471388> (1 page) (Year: 2021).*

* cited by examiner

Primary Examiner — Kimberly Barnes
(74) *Attorney, Agent, or Firm* — Warner Norcross + Judd LLP

(56) **References Cited**

U.S. PATENT DOCUMENTS

| | | | | | | |
|------------|----|---|---------|-------------|-------|-------------|
| D532,944 | S | * | 11/2006 | Choi | | D32/22 |
| D537,584 | S | * | 2/2007 | Greene | | D32/22 |
| D670,878 | S | * | 11/2012 | Lee | | D32/22 |
| D759,919 | S | * | 6/2016 | Smith | | D32/31 |
| D770,106 | S | * | 10/2016 | Johnson | | D32/22 |
| D789,626 | S | * | 6/2017 | Bloemendaal | | D32/22 |
| D792,669 | S | * | 7/2017 | Johnson | | D32/31 |
| D804,120 | S | * | 11/2017 | Bond | | D32/31 |
| D804,751 | S | * | 12/2017 | Johnson | | D32/22 |
| D824,615 | S | * | 7/2018 | Bloemendaal | | D32/22 |
| D835,866 | S | * | 12/2018 | Haverkamp | | D32/18 |
| D838,068 | S | * | 1/2019 | Bond | | D32/31 |
| D844,267 | S | * | 3/2019 | Zhou | | D32/22 |
| D874,762 | S | * | 2/2020 | Tang | | D32/22 |
| 10,966,586 | B2 | * | 4/2021 | Luyckx | | A47L 11/201 |
| D924,504 | S | * | 7/2021 | Knapp | | D32/21 |

(57) **CLAIM**

The ornamental design for a body for a floor cleaner, as shown and described.

DESCRIPTION

FIG. 1 is a front perspective view of a body for a floor cleaner showing our new design; FIG. 2 is a rear perspective view thereof; FIG. 3 is a left side view thereof; FIG. 4 is a right side view thereof; FIG. 5 is a front view thereof; FIG. 6 is a rear view thereof; and, FIG. 7 is a top view thereof. The broken lines depict environmental subject matter that forms no part of the claimed design.

1 Claim, 7 Drawing Sheets

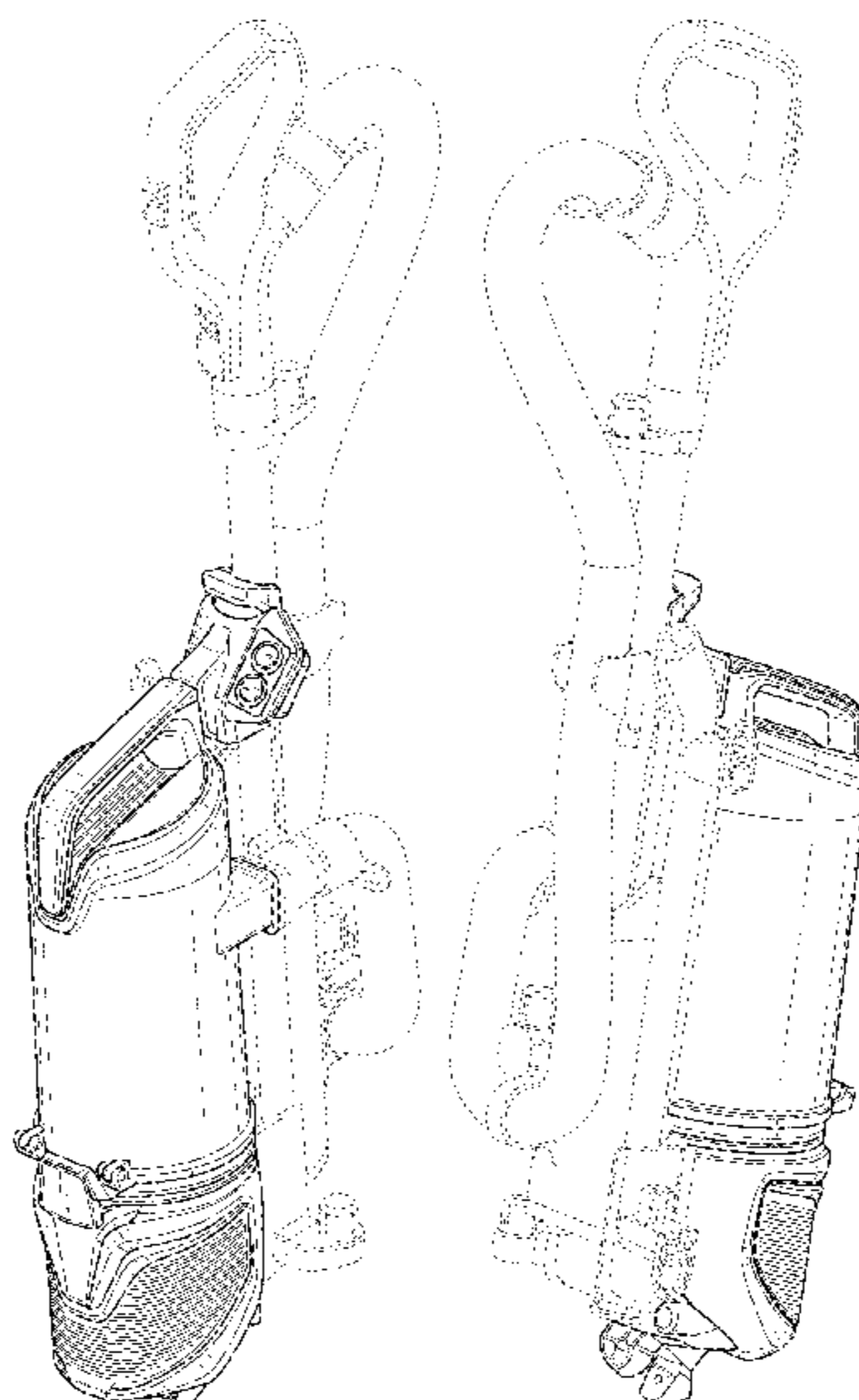


FIG. 1

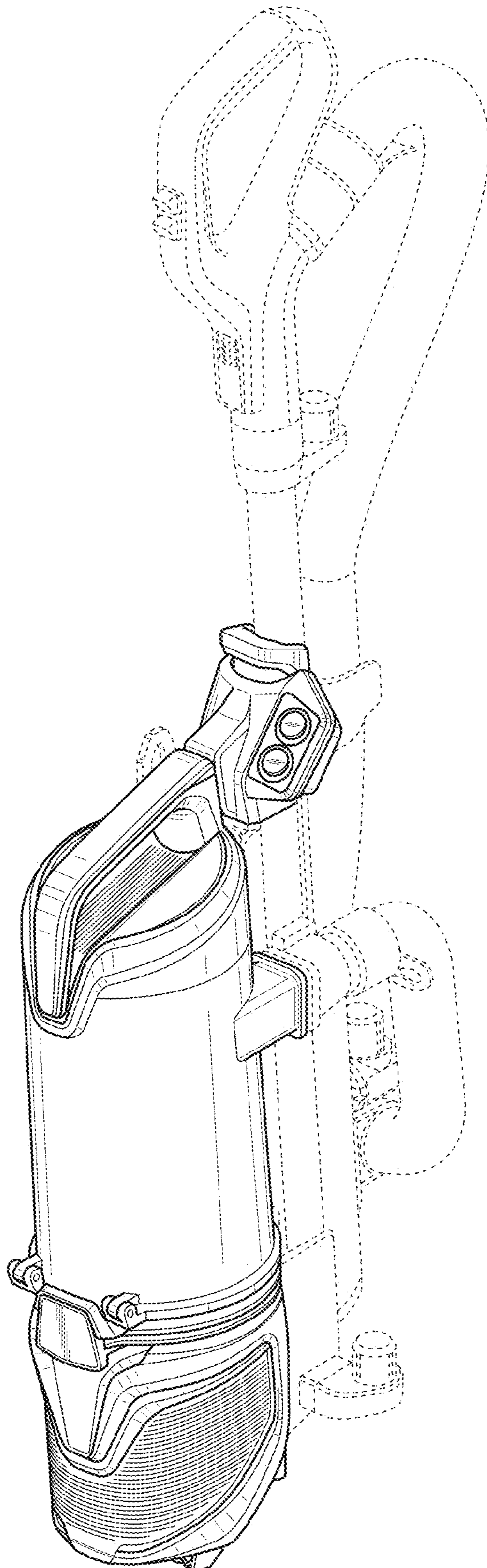


FIG. 2

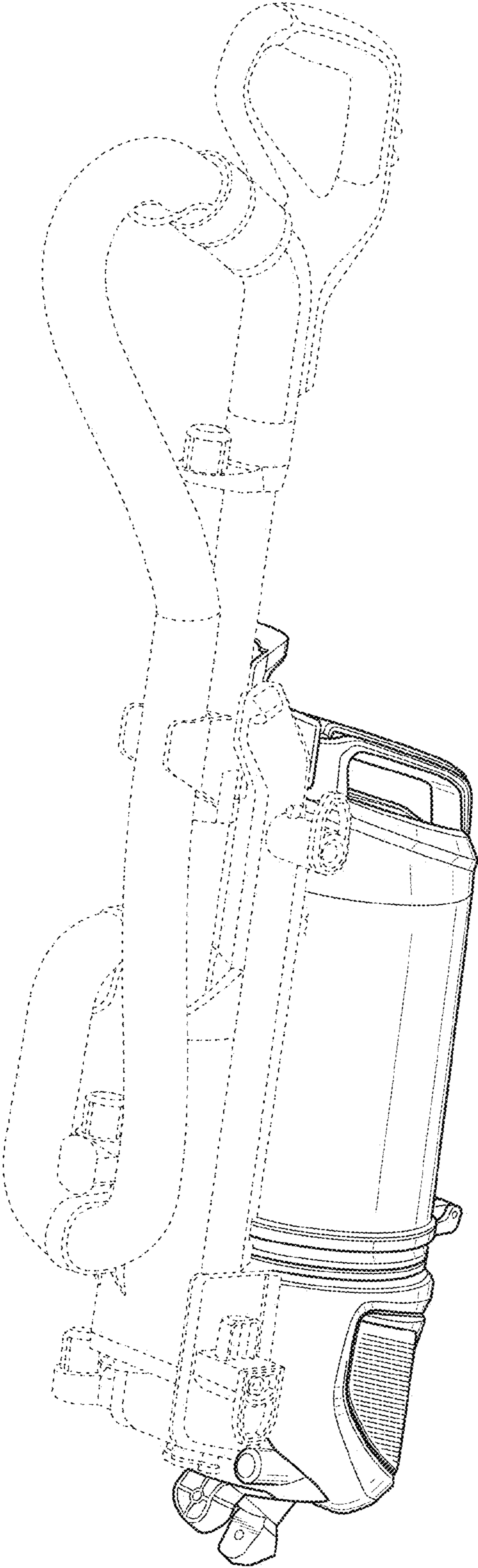


FIG. 3

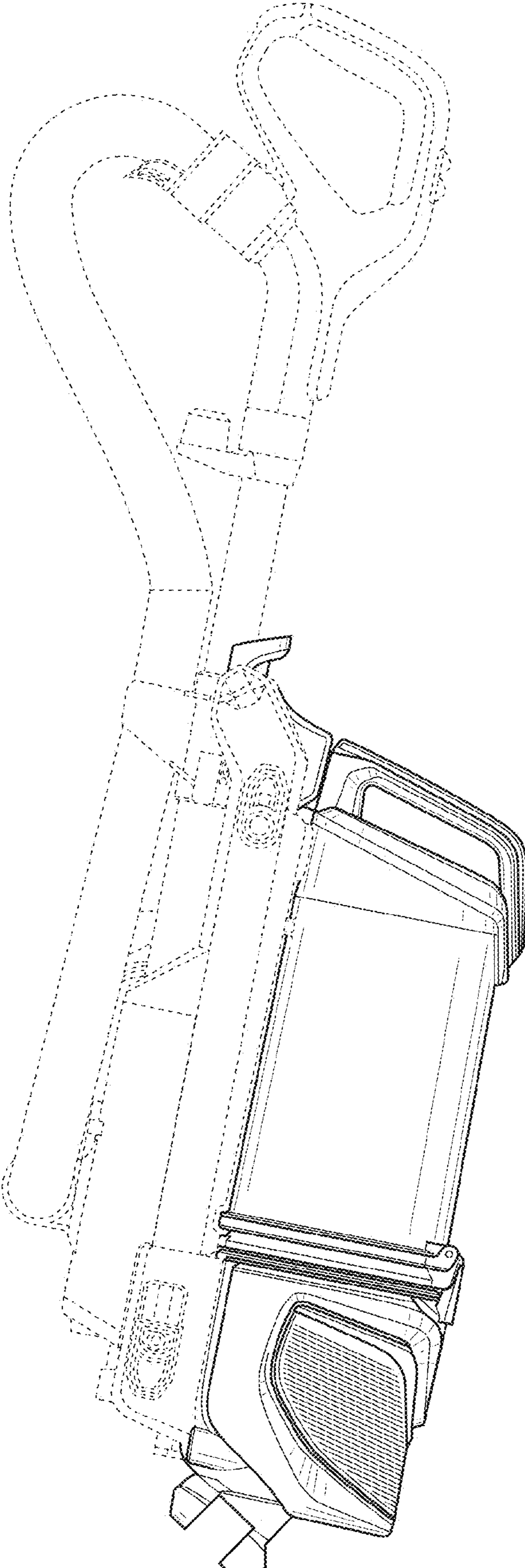


FIG. 4

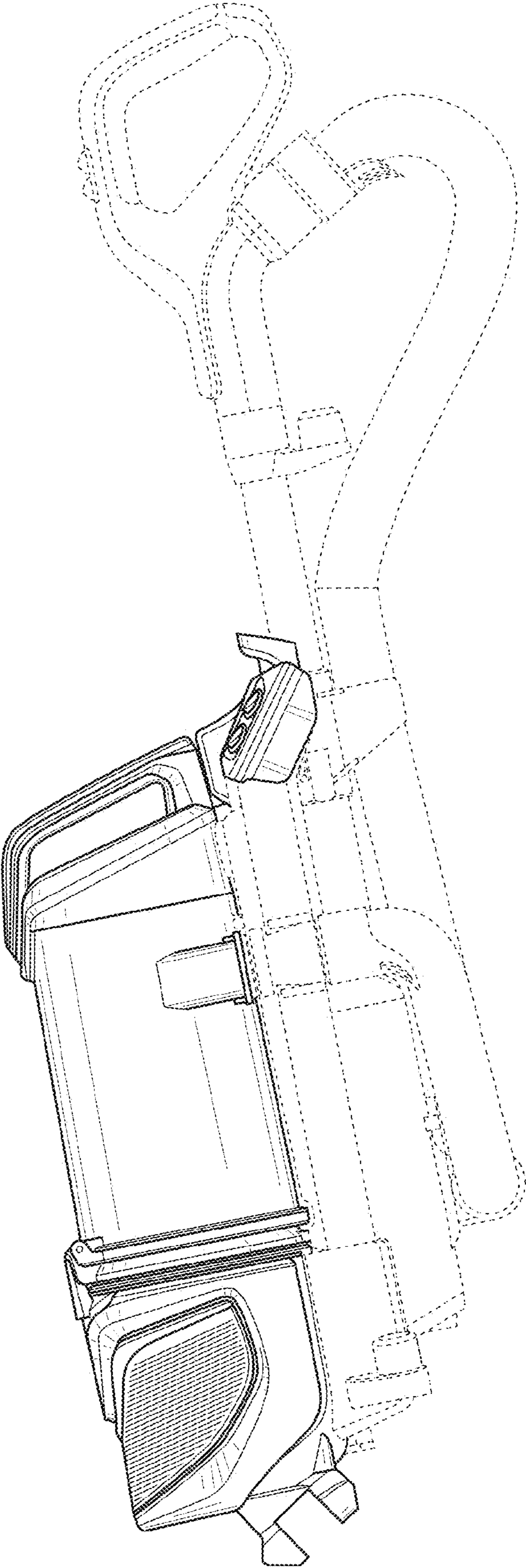


FIG. 5

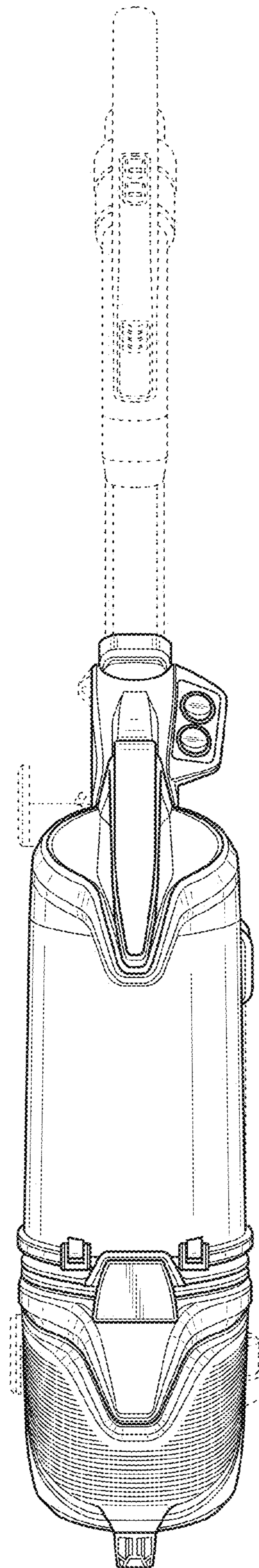


FIG. 6

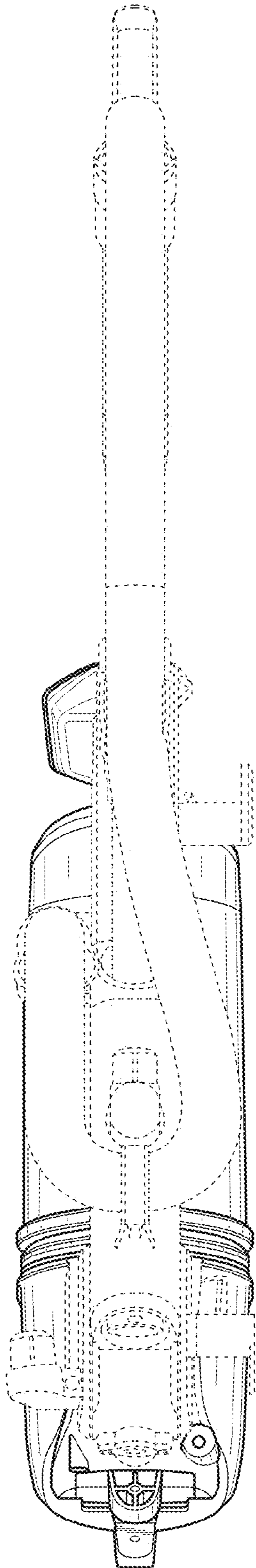


FIG. 7

