



US00D959074S

(12) **United States Design Patent** (10) **Patent No.:** **US D959,074 S**
Repac (45) **Date of Patent:** **** Jul. 26, 2022**

(54) **VACUUM CLEANER**

FOREIGN PATENT DOCUMENTS

(71) Applicant: **Genius GmbH**, Limburg (DE)

TW 211951-0001 * 6/2021

(72) Inventor: **Cedomir Repac**, Brechen (DE)

OTHER PUBLICATIONS

(73) Assignee: **GENIUS GMBH**, Limburg (DE)

Genius Invictus One Handheld Vacuum Cleaner (on-line), date first available Apr. 16, 2020. Retrieved from Internet Apr. 20, 2022, URL: <https://www.amazon.de/-/en/Invictus-Handheld-Cleaner-Wireless-charcoal/dp/B0876XTM8N?th=1> (4 pages) (Year: 2020).*

(**) Term: **15 Years**

(Continued)

(21) Appl. No.: **29/770,142**

(22) Filed: **Feb. 9, 2021**

Primary Examiner — Kimberly Barnes

(30) **Foreign Application Priority Data**

(74) *Attorney, Agent, or Firm* — Hodgson Russ LLP

Nov. 16, 2020 (EM) 008273262-0001
Nov. 16, 2020 (EM) 008273262-0002
Nov. 16, 2020 (EM) 008273262-0003
Nov. 16, 2020 (EM) 008273262-0004
Nov. 16, 2020 (EM) 008273262-0005

(57) **CLAIM**

The ornamental design for a vacuum cleaner, as shown and described.

(51) **LOC (13) Cl.** **15-05**

DESCRIPTION

(52) **U.S. Cl.**
USPC **D32/22; D32/18**

FIG. 1 is a perspective view of a vacuum cleaner, showing my new design;

(58) **Field of Classification Search**
USPC D32/15, 17–24, 31–34
CPC A47L 5/24; A47L 7/0076; A47L 11/04;
A47L 11/22; A47L 5/28; A47L 9/106;
A47L 11/30; A47L 11/4005; A47L 9/32;
A47L 9/322; A47L 9/325; B04C 5/185;
E04H 4/1636

FIG. 2 is a front elevation view thereof;

FIG. 3 is rear elevation view thereof;

FIG. 4 is a right side elevation view thereof;

FIG. 5 is a left side elevation view thereof;

FIG. 6 is an enlarged top plan view thereof;

FIG. 7 is an enlarged bottom plan view thereof;

FIG. 8 is another perspective view thereof, showing the upper portion of the vacuum cleaner detached from its lower portion for clarity of illustration;

FIG. 9 is a front elevation view thereof;

FIG. 10 is rear elevation view thereof;

FIG. 11 is a left side elevation view thereof;

FIG. 12 is a right side elevation view thereof;

FIG. 13 is an enlarged top plan view thereof; and,

FIG. 14 is an enlarged bottom plan view thereof.

The broken lines illustrate portions of the vacuum cleaner that form no part of the claimed design.

See application file for complete search history.

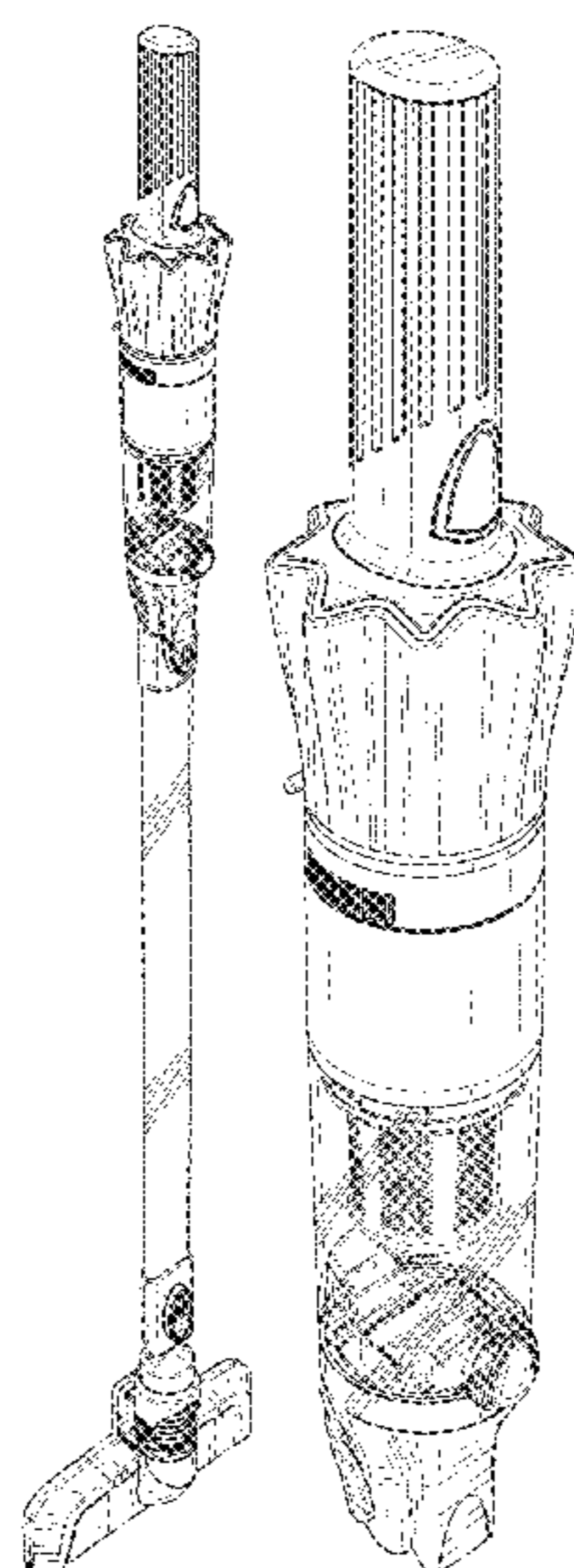
(56) **References Cited**

U.S. PATENT DOCUMENTS

D565,816 S * 4/2008 Agren D32/22
D591,466 S * 4/2009 Crawley D32/22
D611,665 S * 3/2010 Braithwaite D32/18
D613,469 S * 4/2010 Agren D32/22
D637,776 S * 5/2011 Tinius D32/25
D653,825 S * 2/2012 Cho D32/22

(Continued)

1 Claim, 10 Drawing Sheets



(56)

References Cited

U.S. PATENT DOCUMENTS

D680,286	S	*	4/2013	Gray	D32/22
D708,803	S	*	7/2014	Dyson	D32/31
D743,125	S	*	11/2015	Lee	D32/22
D744,708	S	*	12/2015	Cheon	D32/31
D796,129	S	*	8/2017	Jang	D32/22
D804,117	S	*	11/2017	Kim	D32/22
D809,228	S	*	1/2018	Lee	D32/22
D812,828	S	*	3/2018	Yoon	D32/22
D855,910	S	*	8/2019	Gammack	D32/18
D872,396	S	*	1/2020	Miyawaki	D32/22
D875,335	S	*	2/2020	Sagkob	D32/22
D901,795	S	*	11/2020	Rummel	D32/15
D927,809	S	*	8/2021	Kim	D32/32
D932,124	S	*	9/2021	Lin	D32/22
D935,714	S	*	11/2021	Park	D32/22
D936,921	S	*	11/2021	Liu	D32/18
D937,510	S	*	11/2021	Xu	D32/18
D939,799	S	*	12/2021	Park	D32/22
D945,096	S	*	3/2022	Dimbylow	D32/22
D948,146	S	*	4/2022	Bloemendaal	D32/31

OTHER PUBLICATIONS

MOOSOO Pro Handheld Vacuum Cordless (on-line), reviewed Sep. 25, 2021. Retrieved from Internet Apr. 20, 2022, URL: <https://www.wayfair.com/appliances/pdp/moosoo-pro-handheld-vacuum-cordless-12kpa-11lb-lightweight-hand-vacuum-cleaner-with-upgraded-brushless-motor-single-touch-empty-car-vacuum-cordless-with-car-chargercharging-dock-k12-hoso1003.html> (2 pages) (Year: 2021).*

* cited by examiner

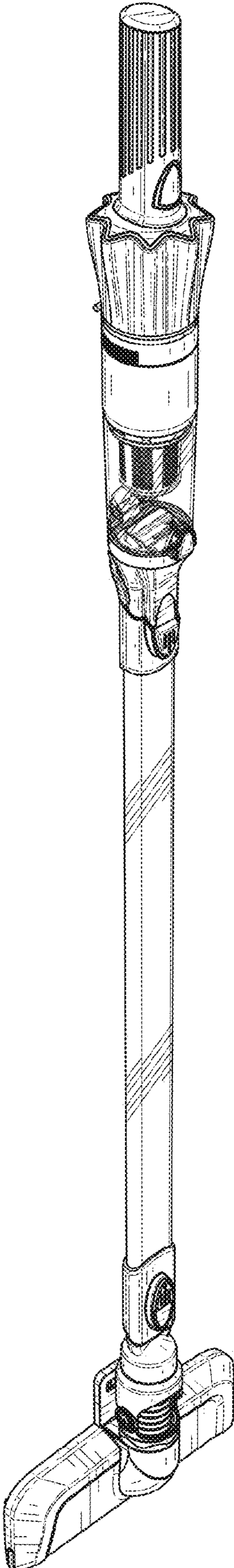


FIG. 1

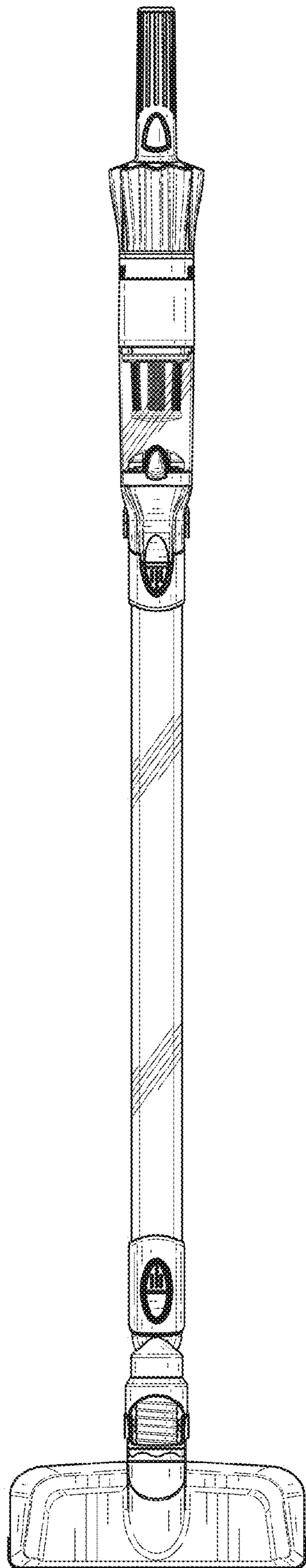


FIG. 2

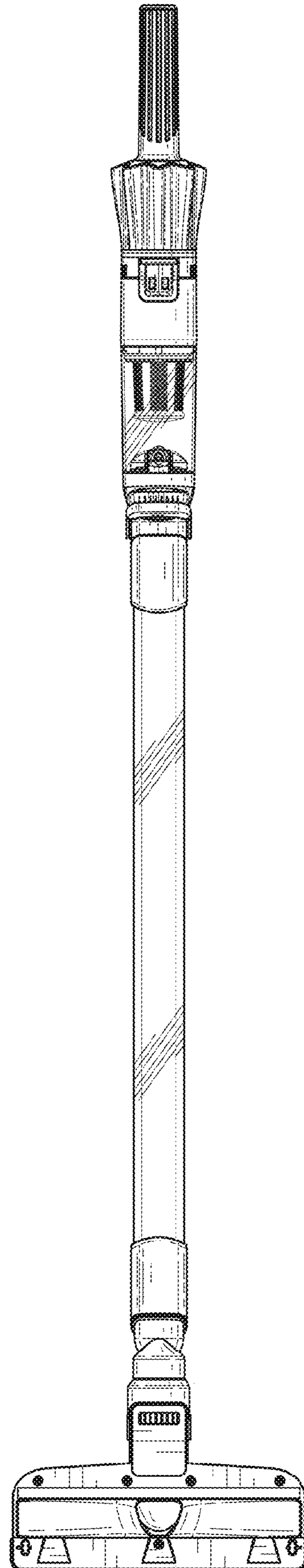


FIG. 3

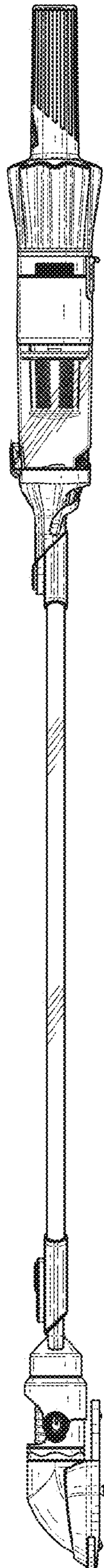


FIG. 4

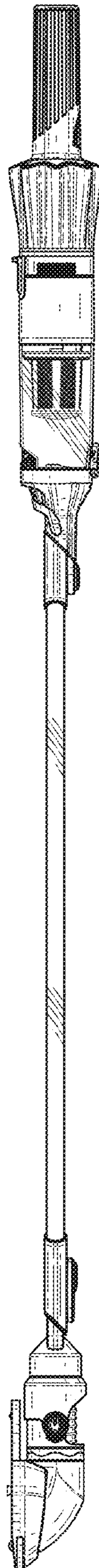


FIG. 5

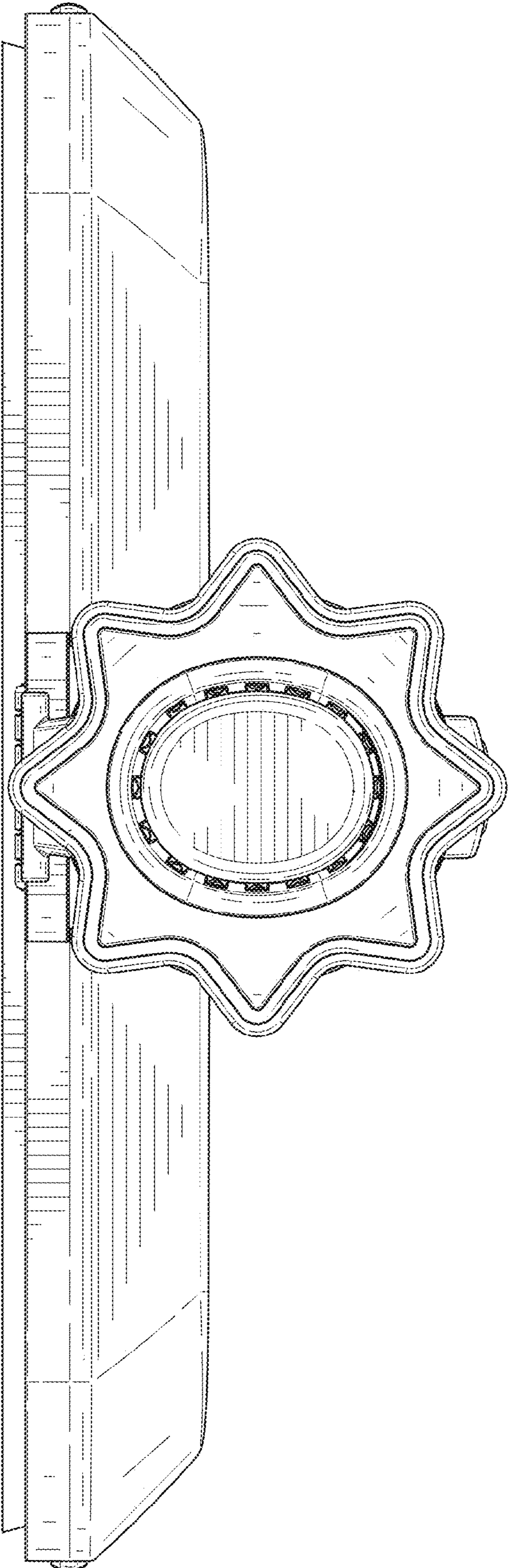


FIG. 6

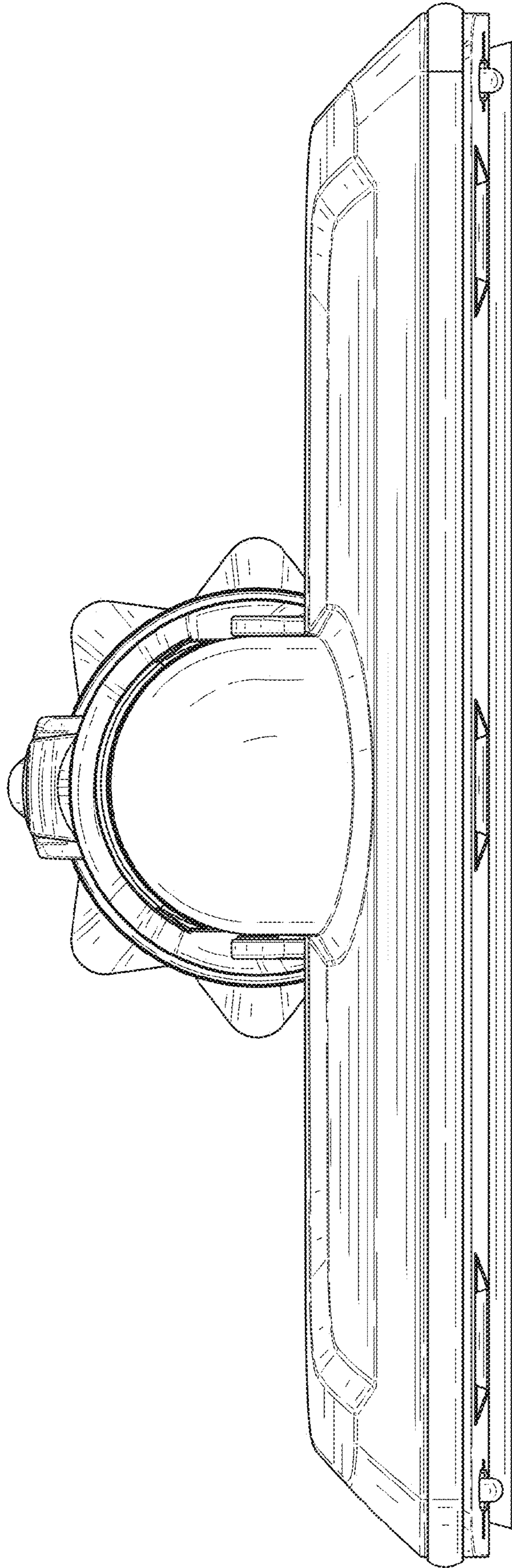


FIG. 7

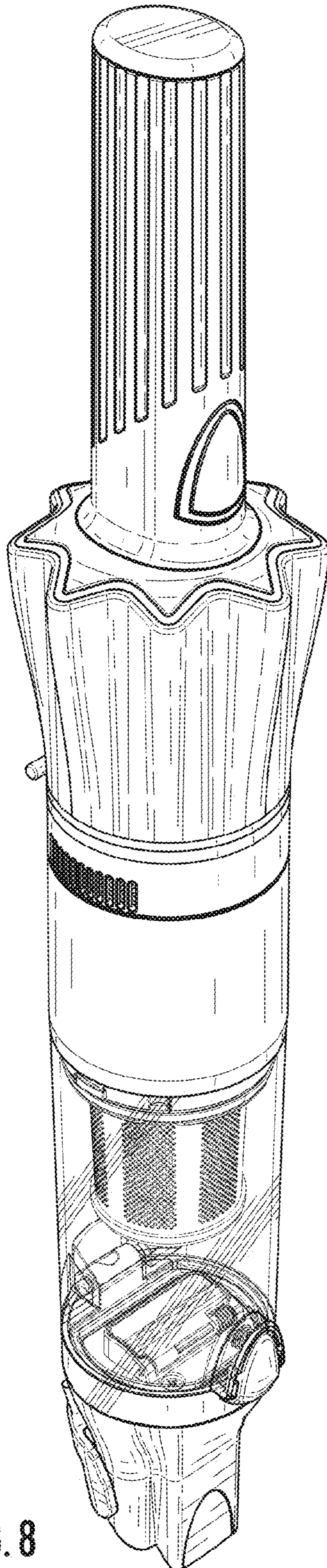


FIG. 8

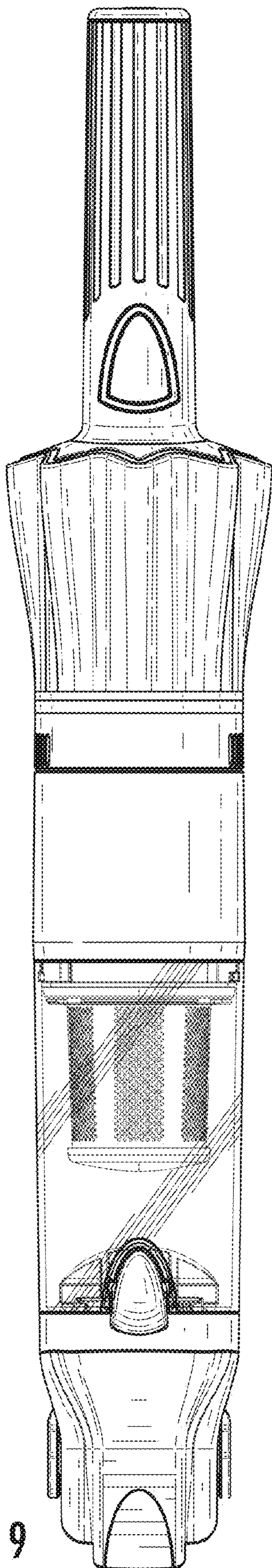


FIG. 9

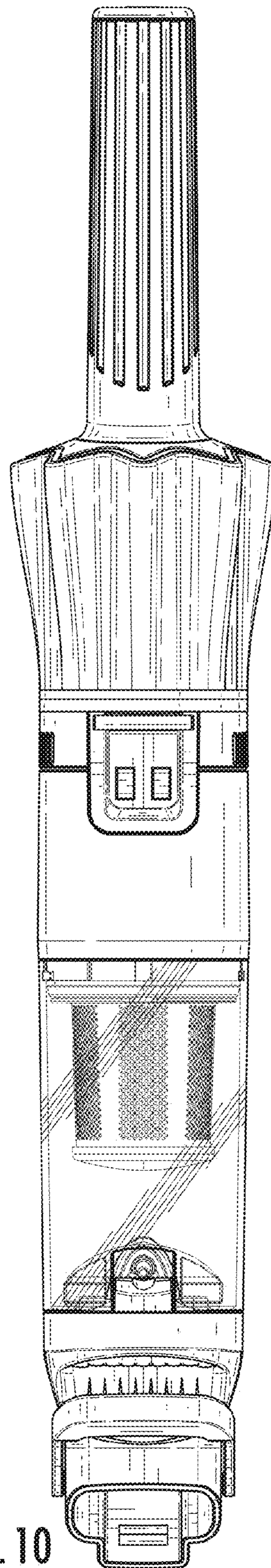
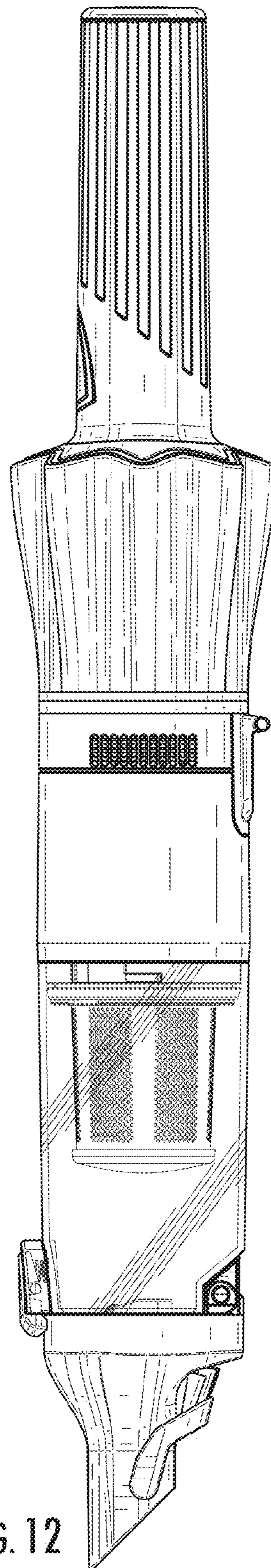
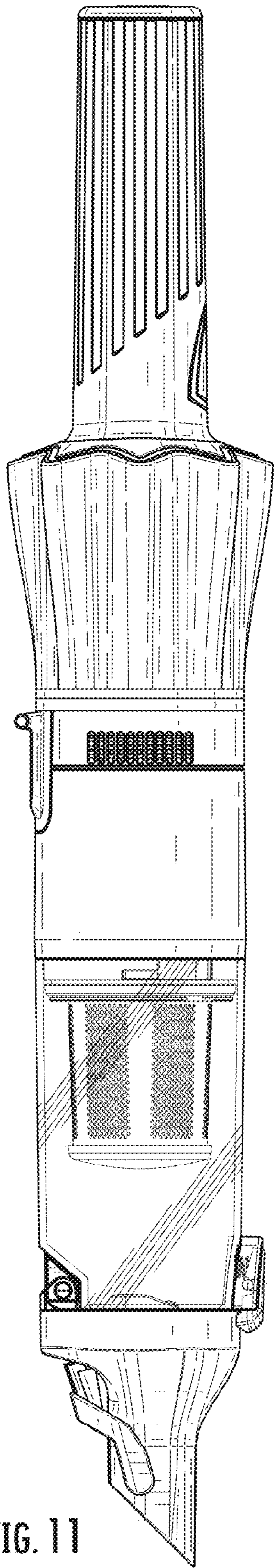


FIG. 10



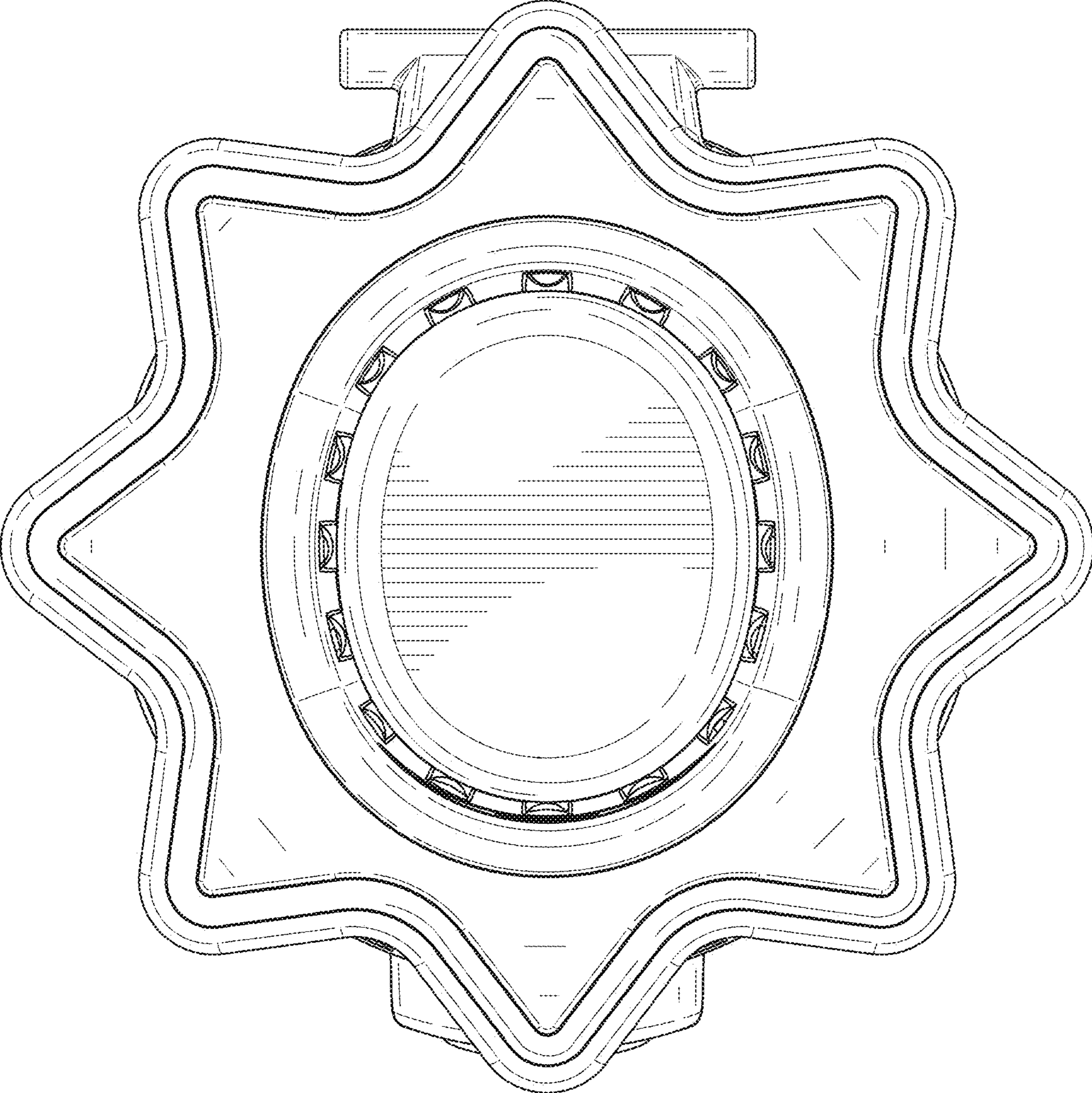


FIG. 13

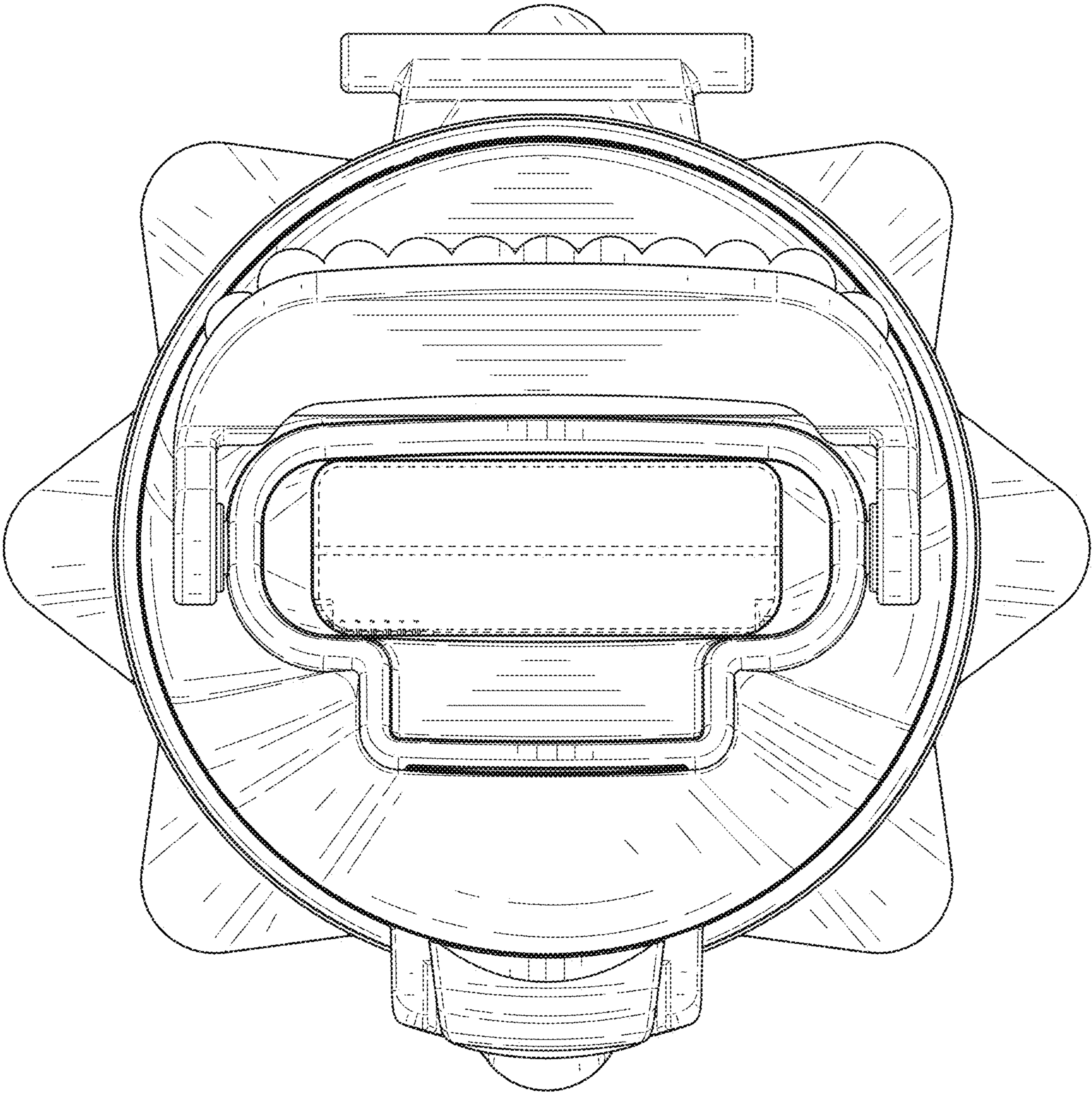


FIG. 14