



US00D959072S

(12) **United States Design Patent** (10) **Patent No.:** **US D959,072 S**
He (45) **Date of Patent:** **** Jul. 26, 2022**

(54) **VACUUM CLEANER**

(74) *Attorney, Agent, or Firm* — Andrew C. Cheng

(71) Applicant: **Shenzhen Baseus Technology Co., Ltd.**, Shenzhen (CN)

(57) **CLAIM**

I claim the ornamental design for a vacuum cleaner, as shown and described.

(72) Inventor: **Shiyou He**, Shenzhen (CN)

(73) Assignee: **SHENZHEN BASEUS TECHNOLOGY CO., LTD.**, Shenzhen (CN)

DESCRIPTION

(**) Term: **15 Years**

(21) Appl. No.: **29/769,240**

(22) Filed: **Feb. 4, 2021**

(30) **Foreign Application Priority Data**

Aug. 28, 2020 (CN) 202030501719.X

(51) **LOC (13) Cl.** **15-05**

(52) **U.S. Cl.**
USPC **D32/18**

(58) **Field of Classification Search**
USPC D32/15, 17-24, 31-34

(Continued)

(56) **References Cited**

U.S. PATENT DOCUMENTS

D303,856 S * 10/1989 Yuen D32/18
5,794,303 A * 8/1998 Sanfilippo B44D 3/162
15/352

(Continued)

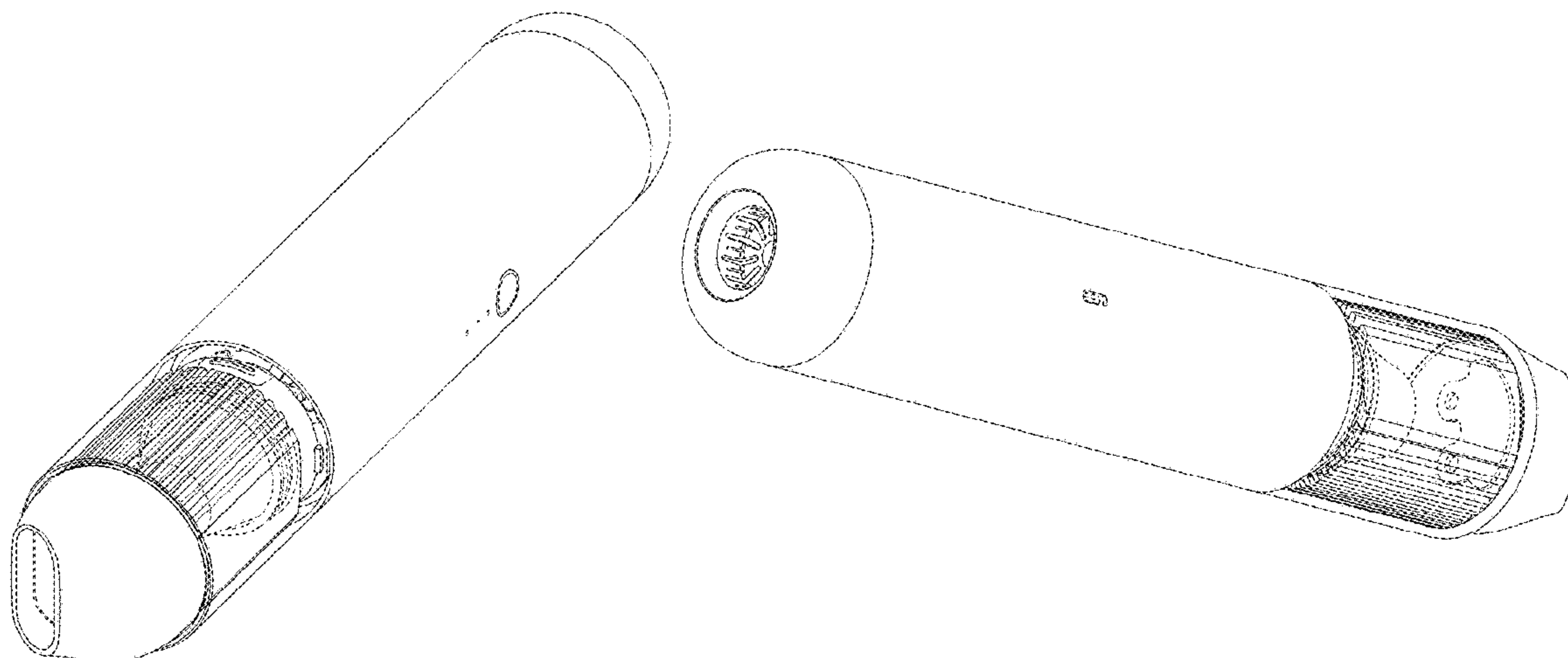
OTHER PUBLICATIONS

Baseus Capsule Cordless mini wireless Vacuum Cleaner (on-line), dated Jul. 29, 2019. Retrieved from Internet Apr. 18, 2022, URL: <https://www.youtube.com/watch?v=oEEmwnJ2v10> (1 page) (Year: 2019).*

(Continued)

Primary Examiner — Kimberly Barnes

1 Claim, 25 Drawing Sheets



(58) **Field of Classification Search**

CPC A47L 5/24; A47L 7/0076; A47L 11/04;
A47L 11/22; A47L 5/28; A47L 9/106;
A47L 11/30; A47L 11/4005; B04C 5/185;
E04H 4/1636

See application file for complete search history.

(56) **References Cited**

U.S. PATENT DOCUMENTS

8,875,341 B2 * 11/2014 Gooden A47L 13/38
15/327.5
D733,686 S * 7/2015 Harris D32/15
D749,281 S * 2/2016 Jeon D32/18
9,609,987 B2 * 4/2017 Christensen A47L 7/0066
D812,829 S * 3/2018 Shin D06F 87/00
D32/25
D868,402 S * 11/2019 Luo D32/18
D899,719 S * 10/2020 Liu D32/23
D925,847 S * 7/2021 Xia D32/18
D927,804 S * 8/2021 Song D32/18
D937,514 S * 11/2021 Zou D32/18
D938,678 S * 12/2021 Day D32/23
D939,796 S * 12/2021 Yoon D32/22
D945,094 S * 3/2022 Jeon D32/18
D946,838 S * 3/2022 Huang D32/18

OTHER PUBLICATIONS

Baseus A3 Car Vacuum Cleaner (on-line), dated Apr. 22, 2021.
Retrieved from Internet Apr. 19, 2022, URL: <https://www.youtube.com/watch?v=RteuDytGq7A> (1 page) (Year: 2021).*

* cited by examiner

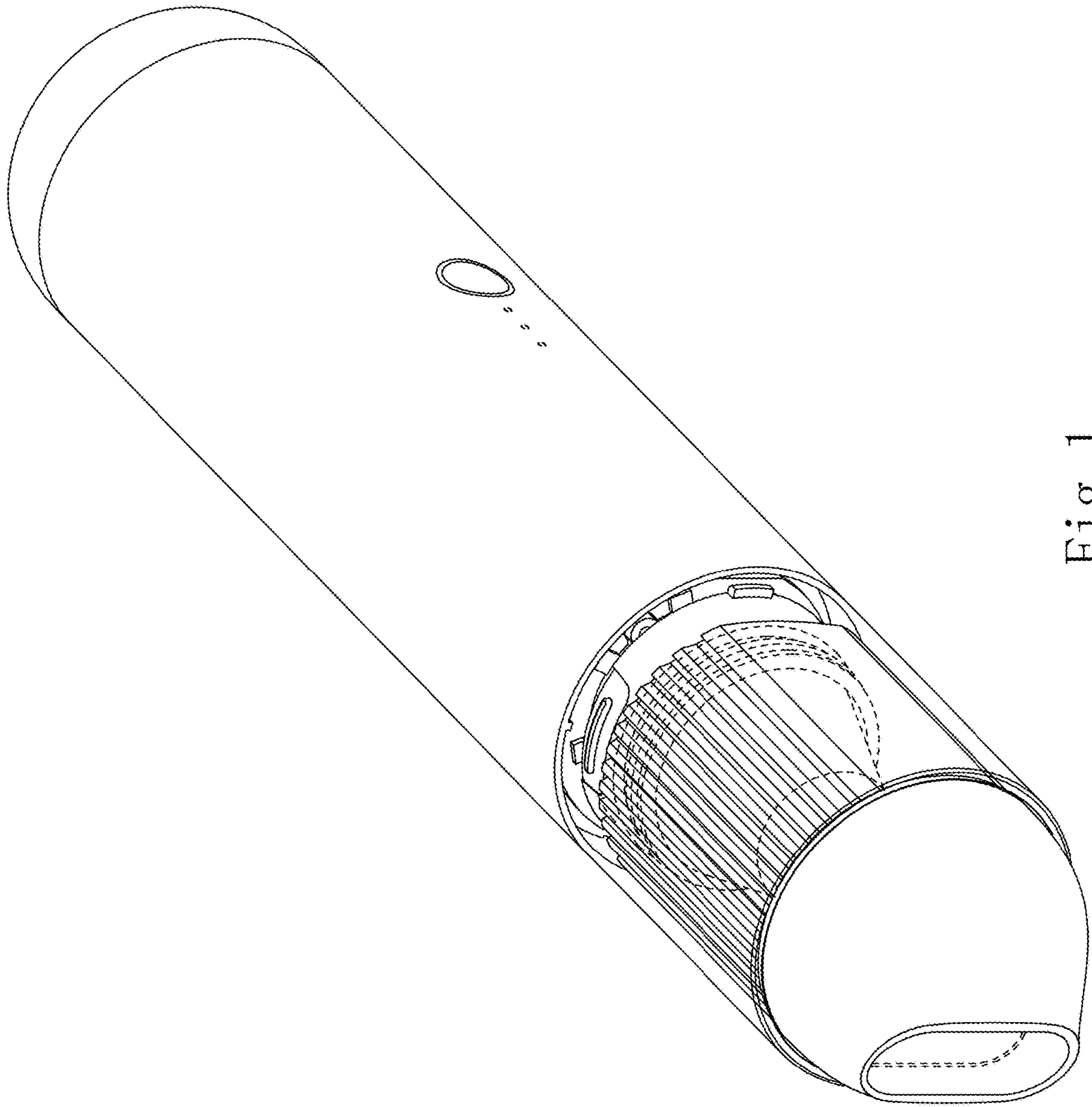


Fig. 1

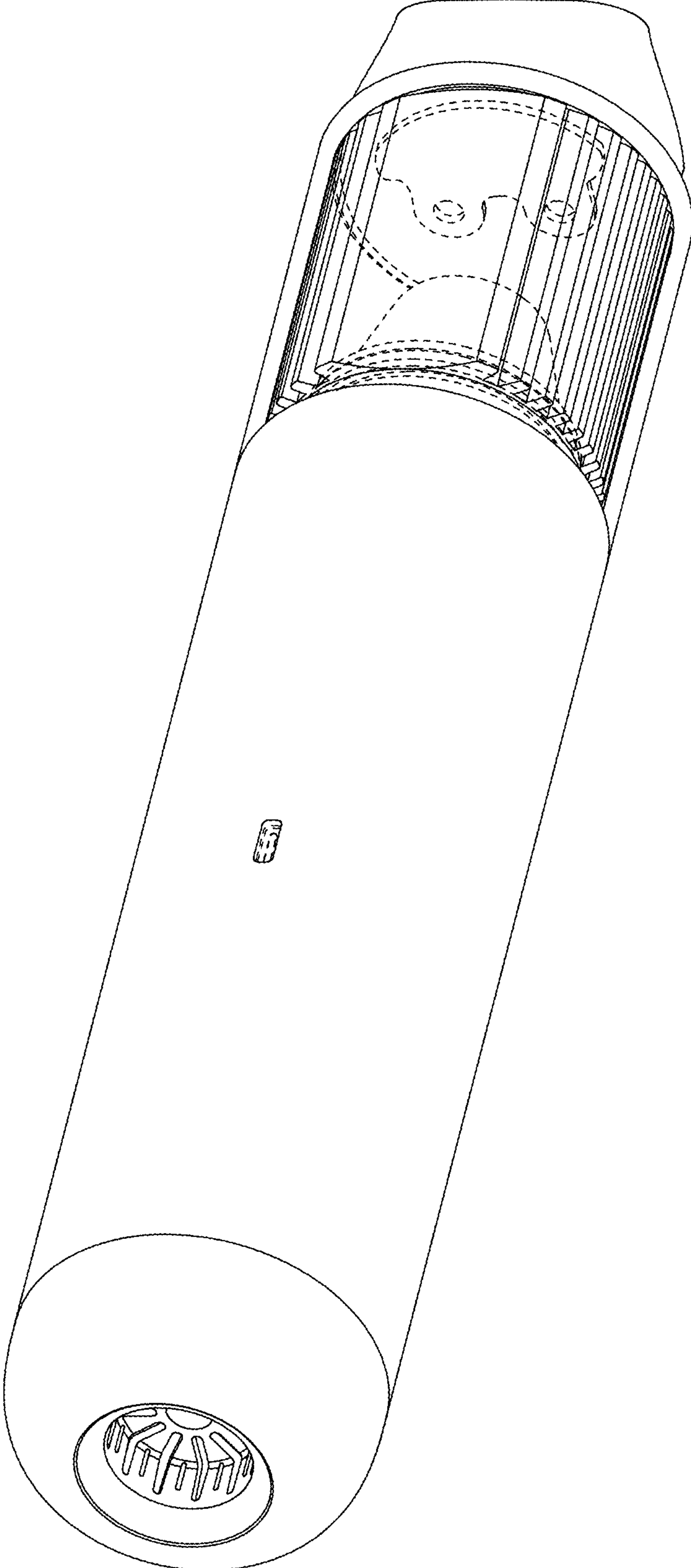


Fig. 2

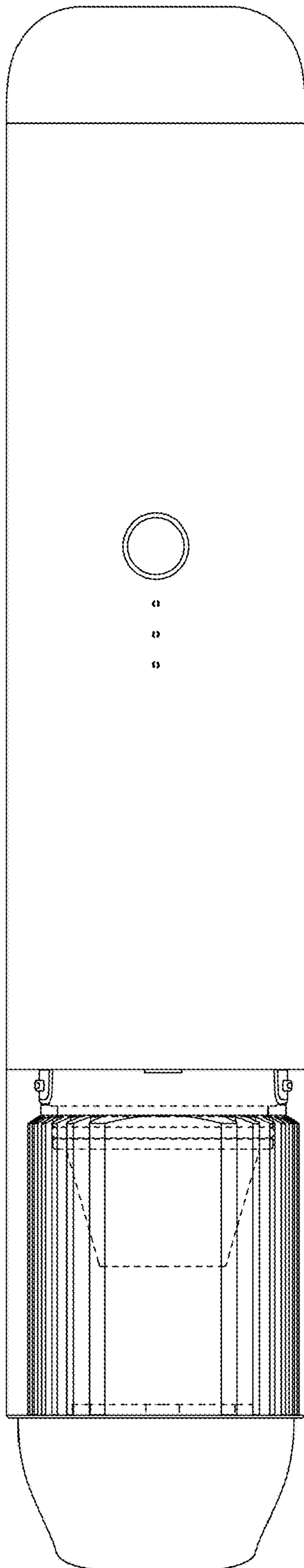


Fig. 3

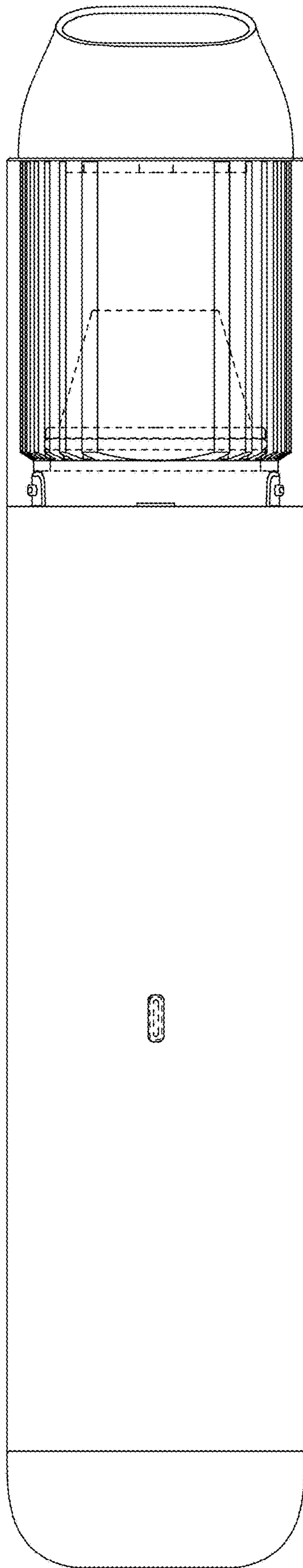


Fig. 4

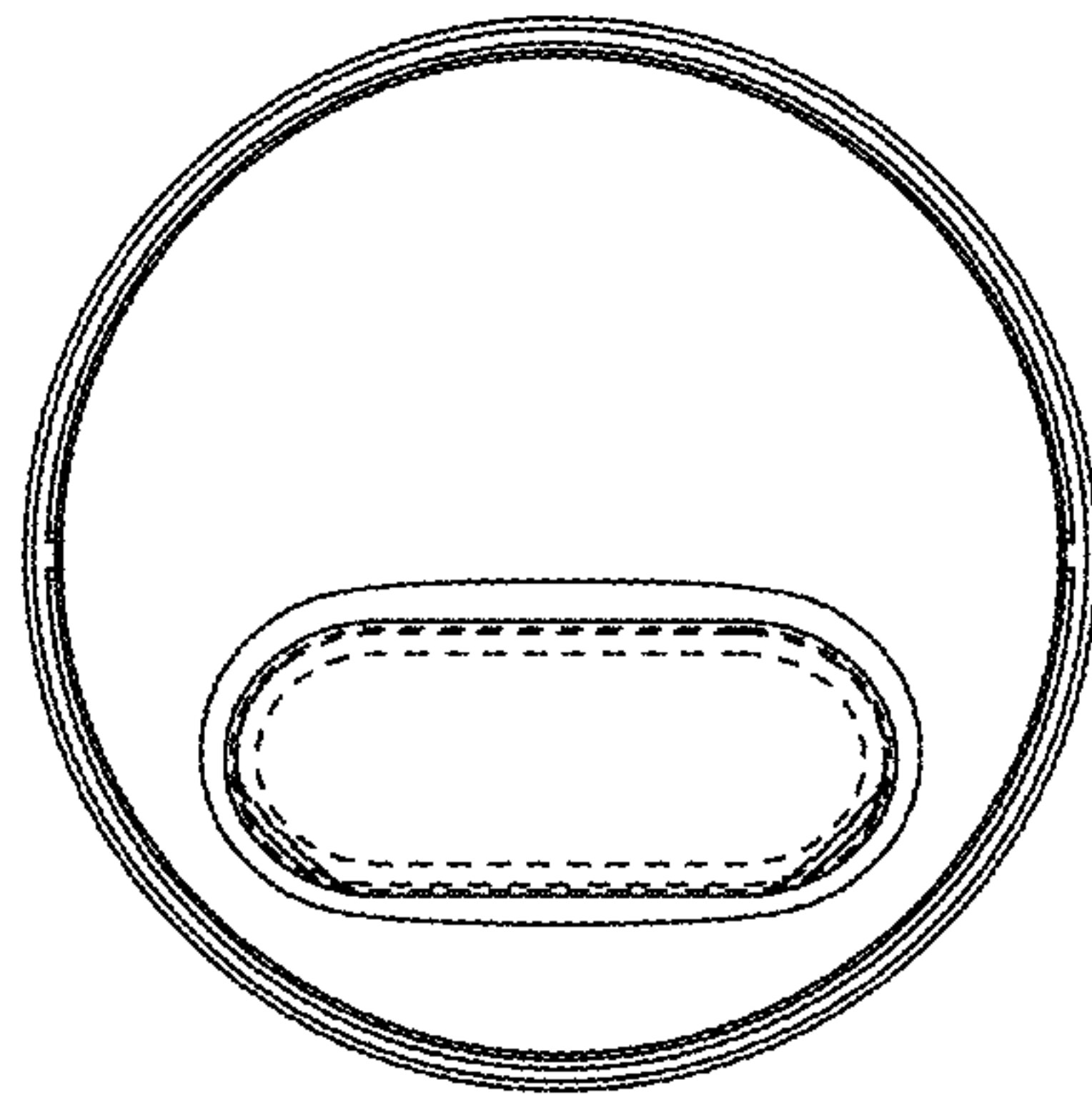


Fig. 5

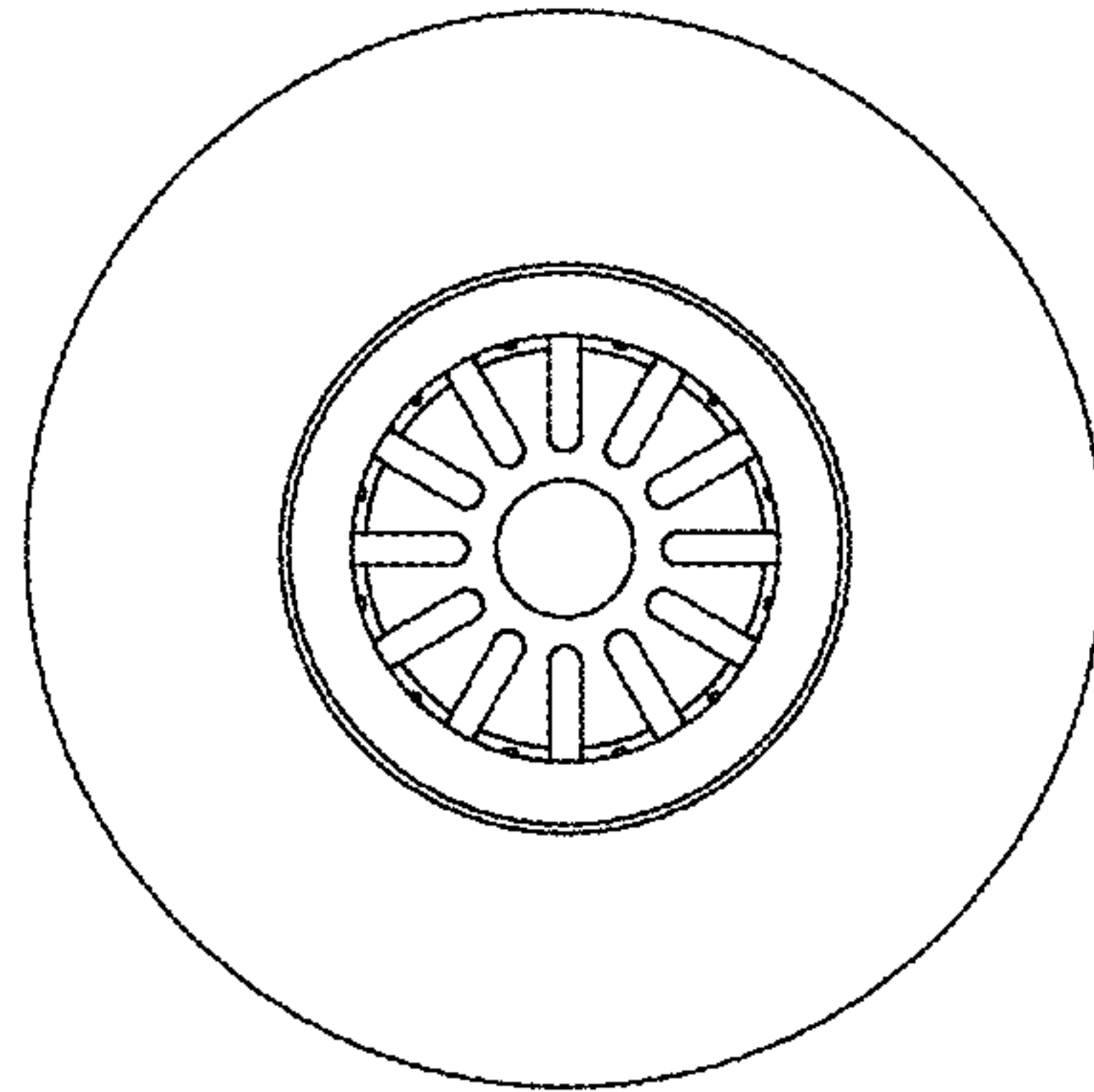


Fig. 6

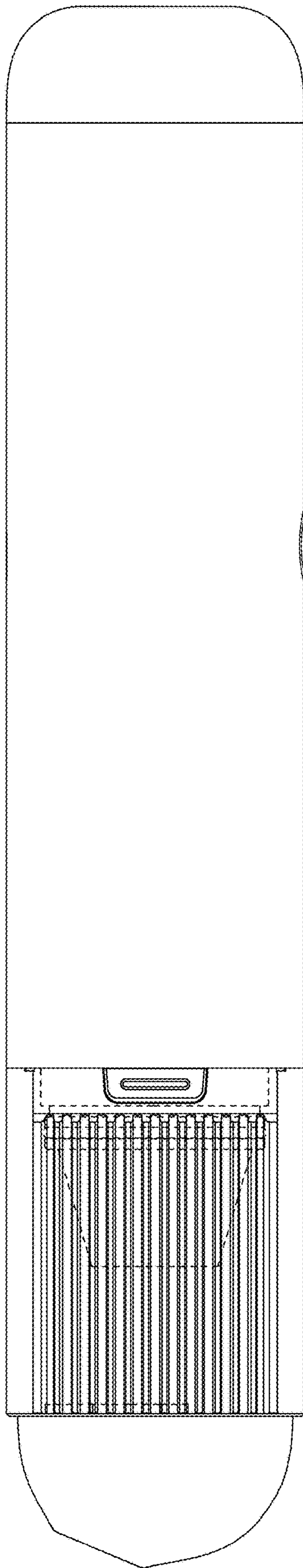


Fig. 7

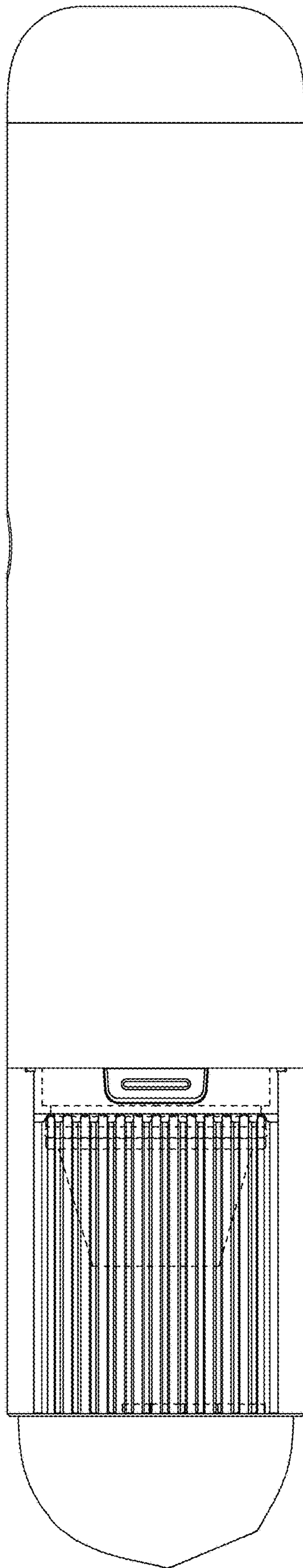


Fig. 8

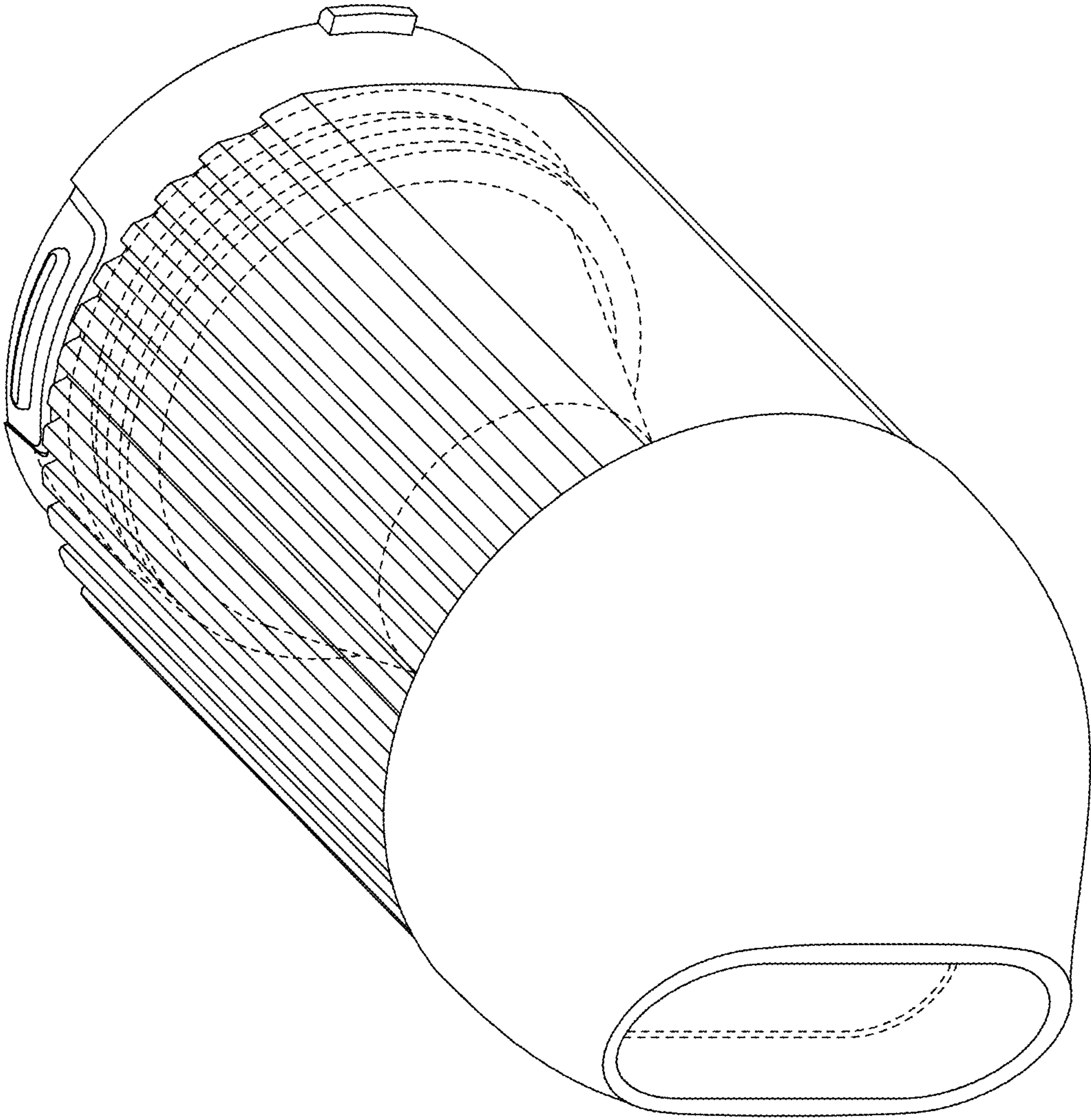


Fig. 9

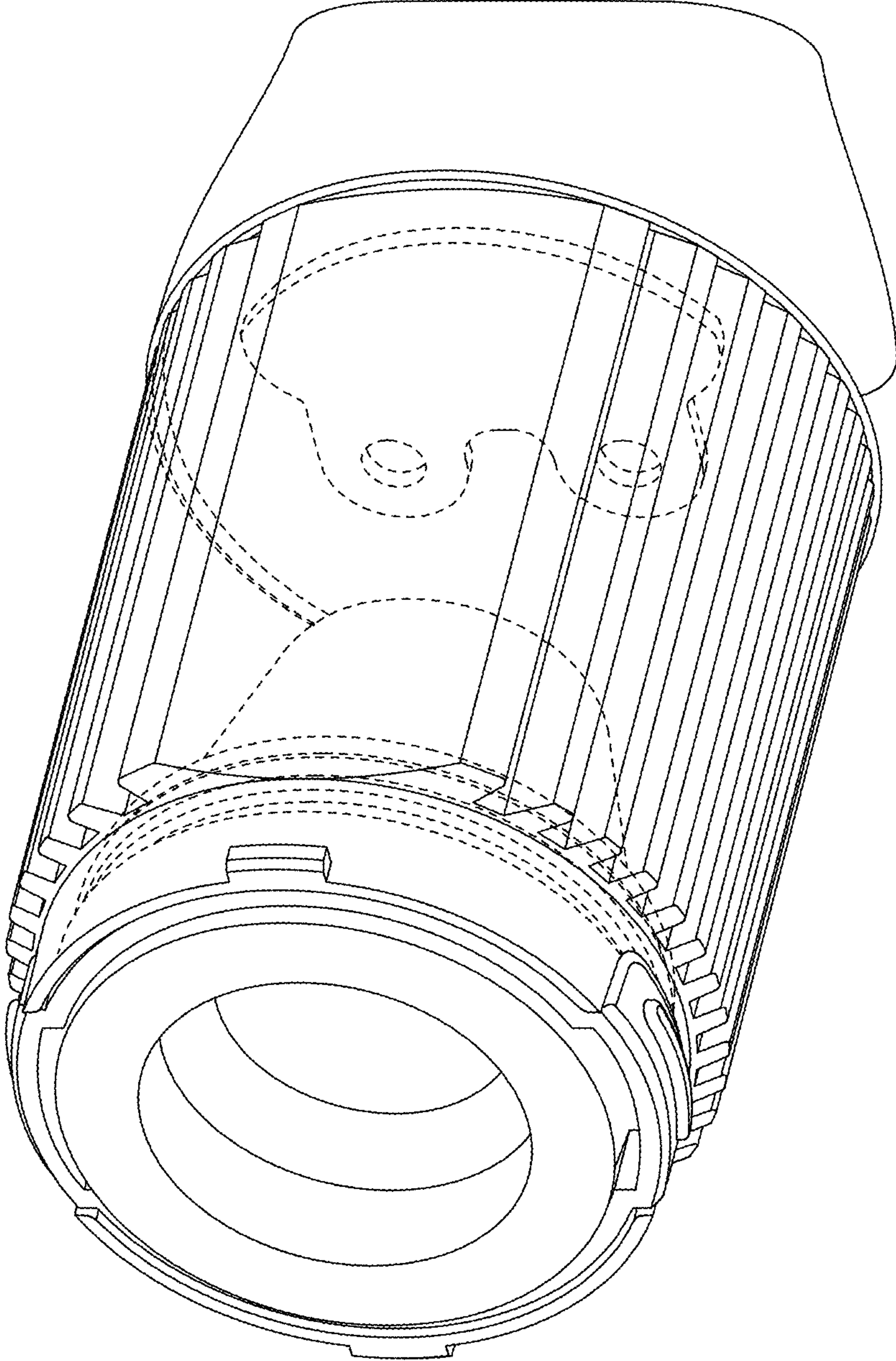


Fig. 10

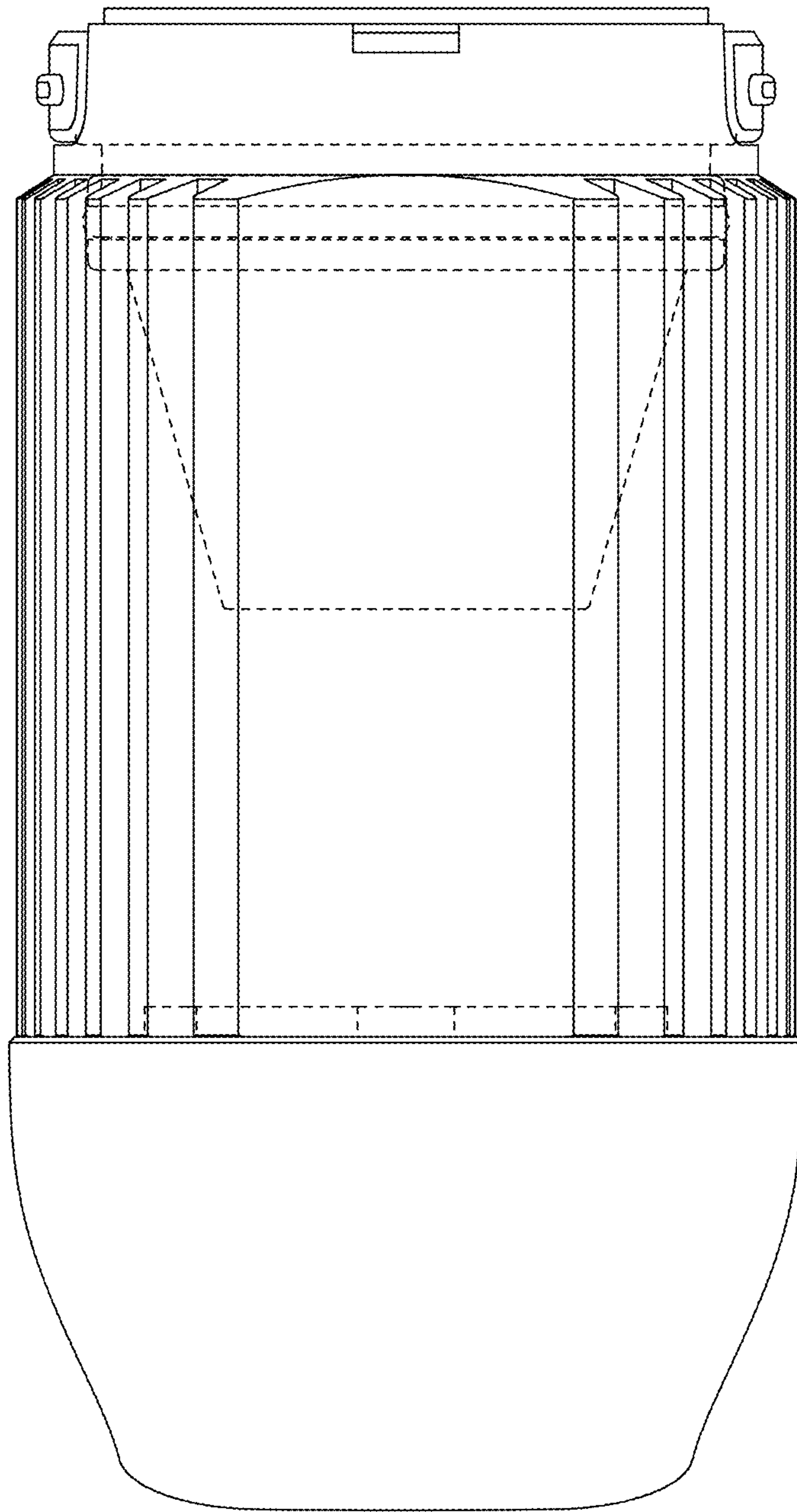


Fig. 11

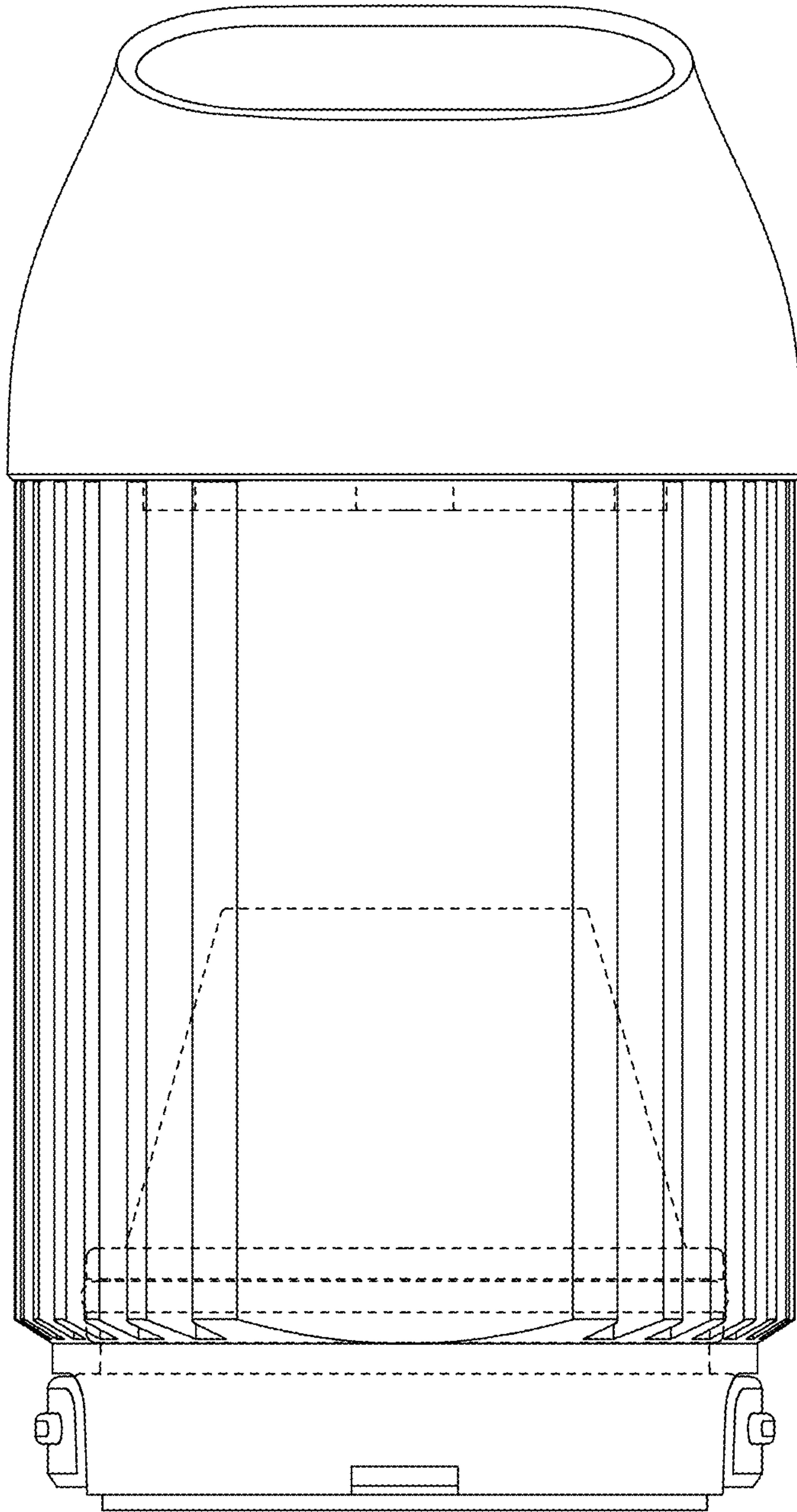


Fig. 12

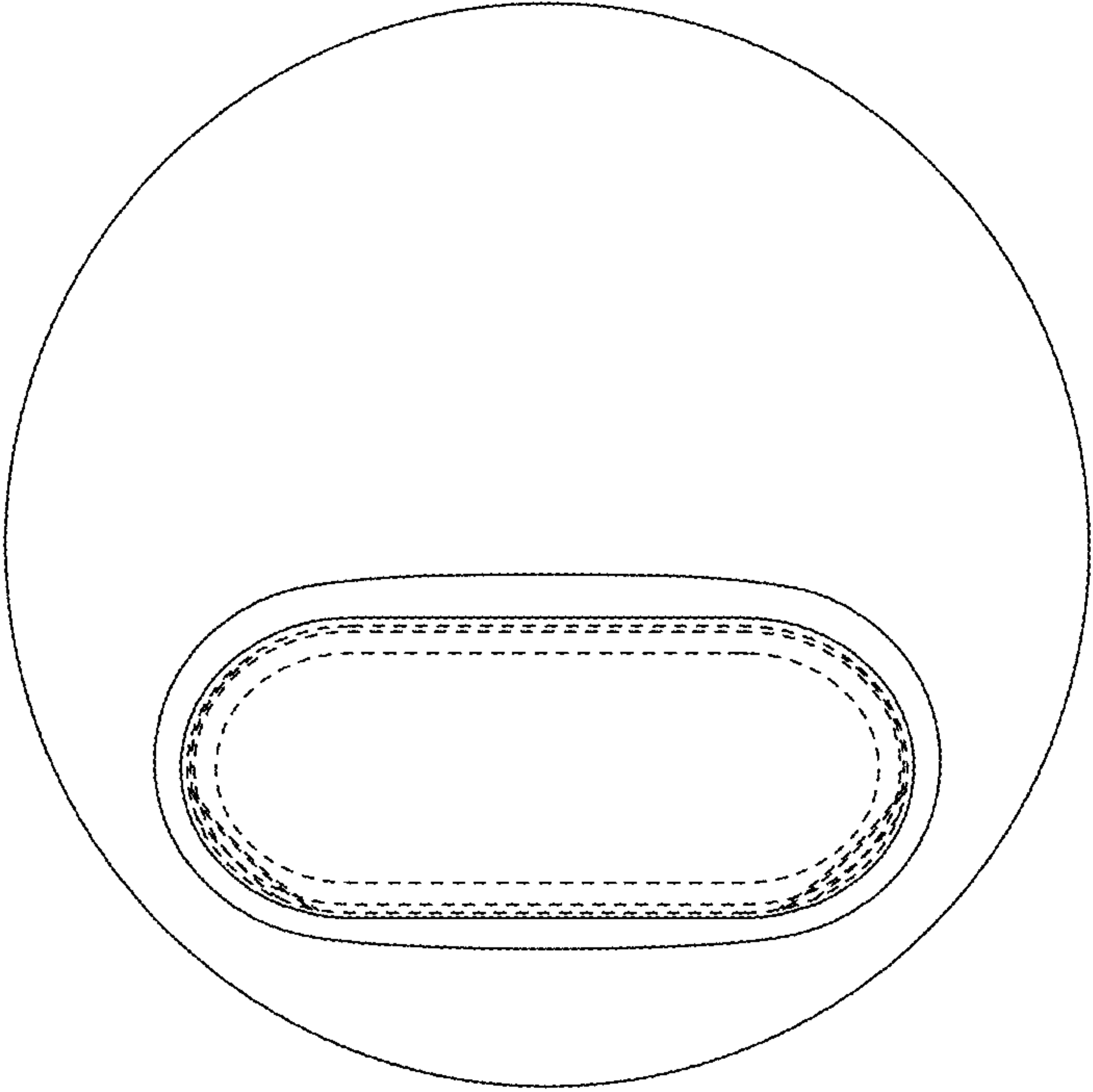


Fig. 13

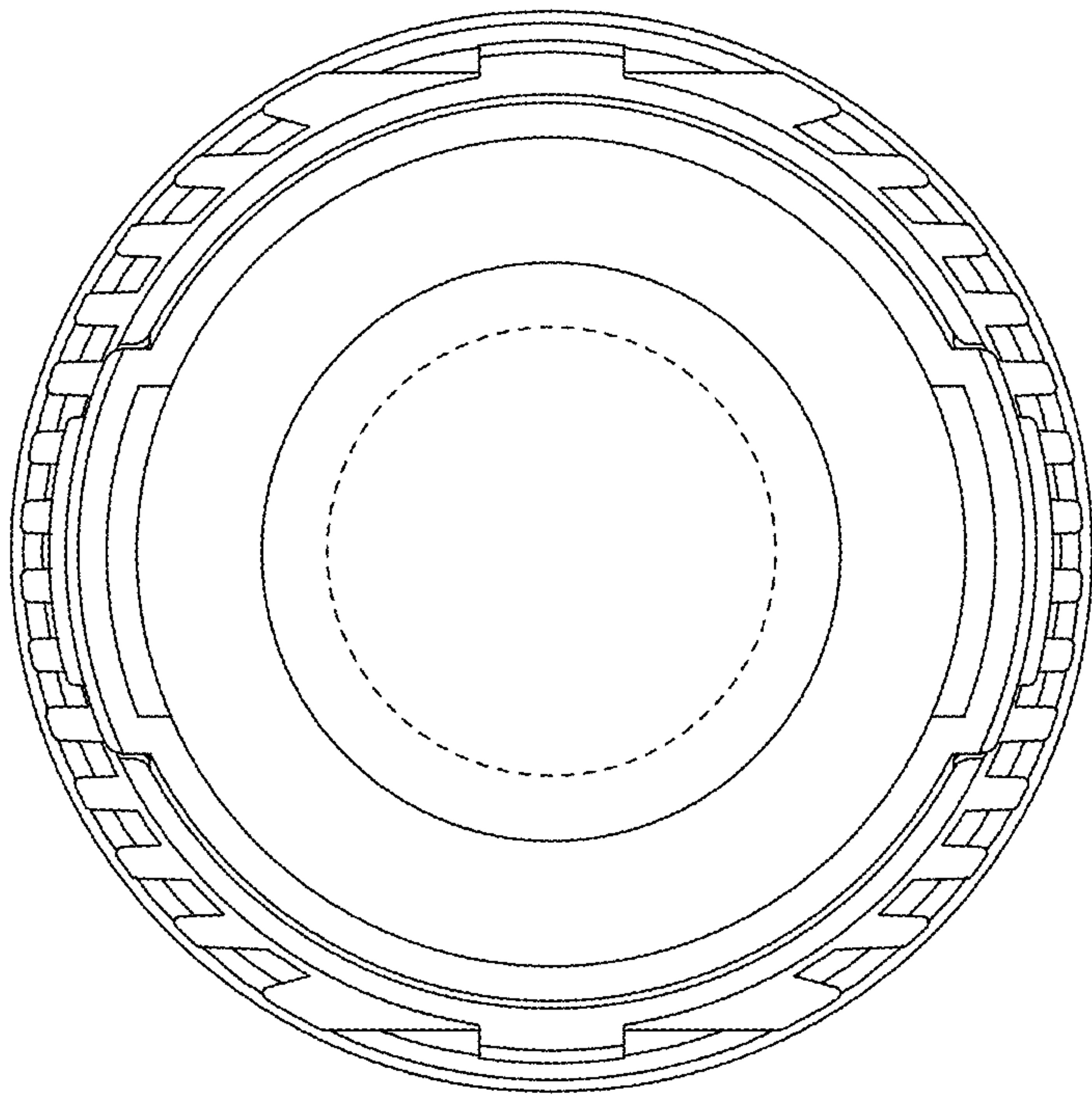


Fig. 14

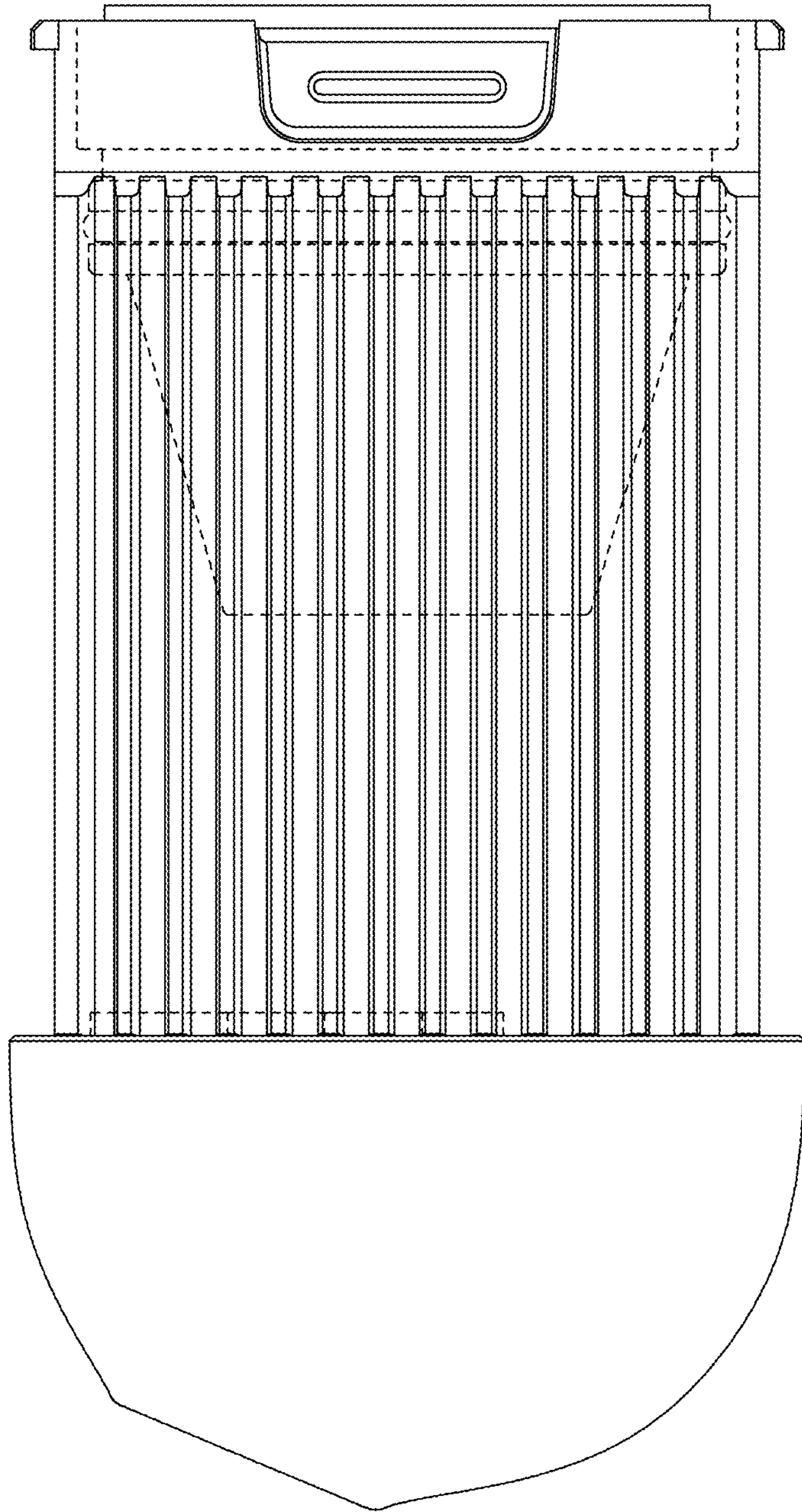


Fig. 15

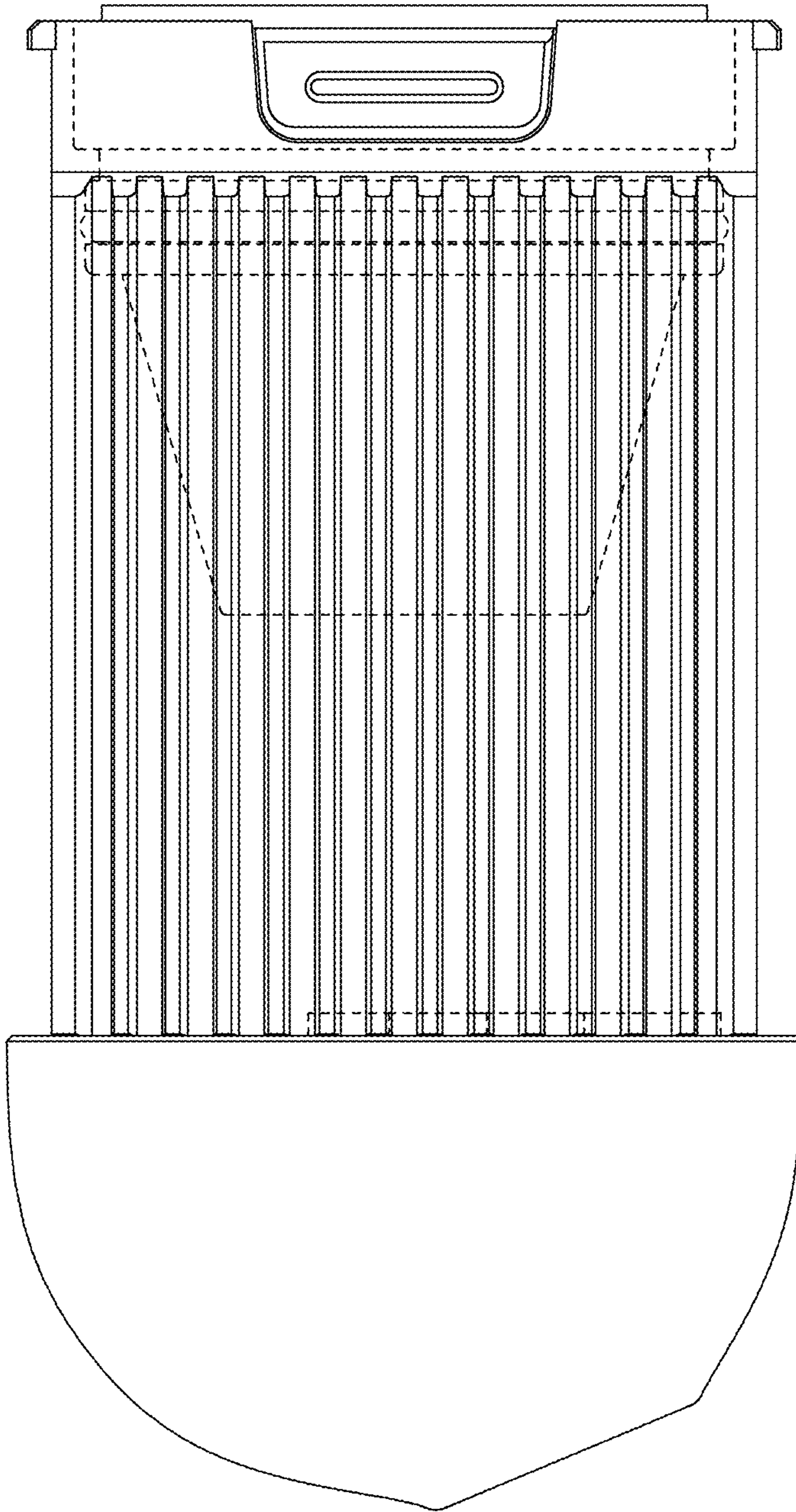


Fig. 16

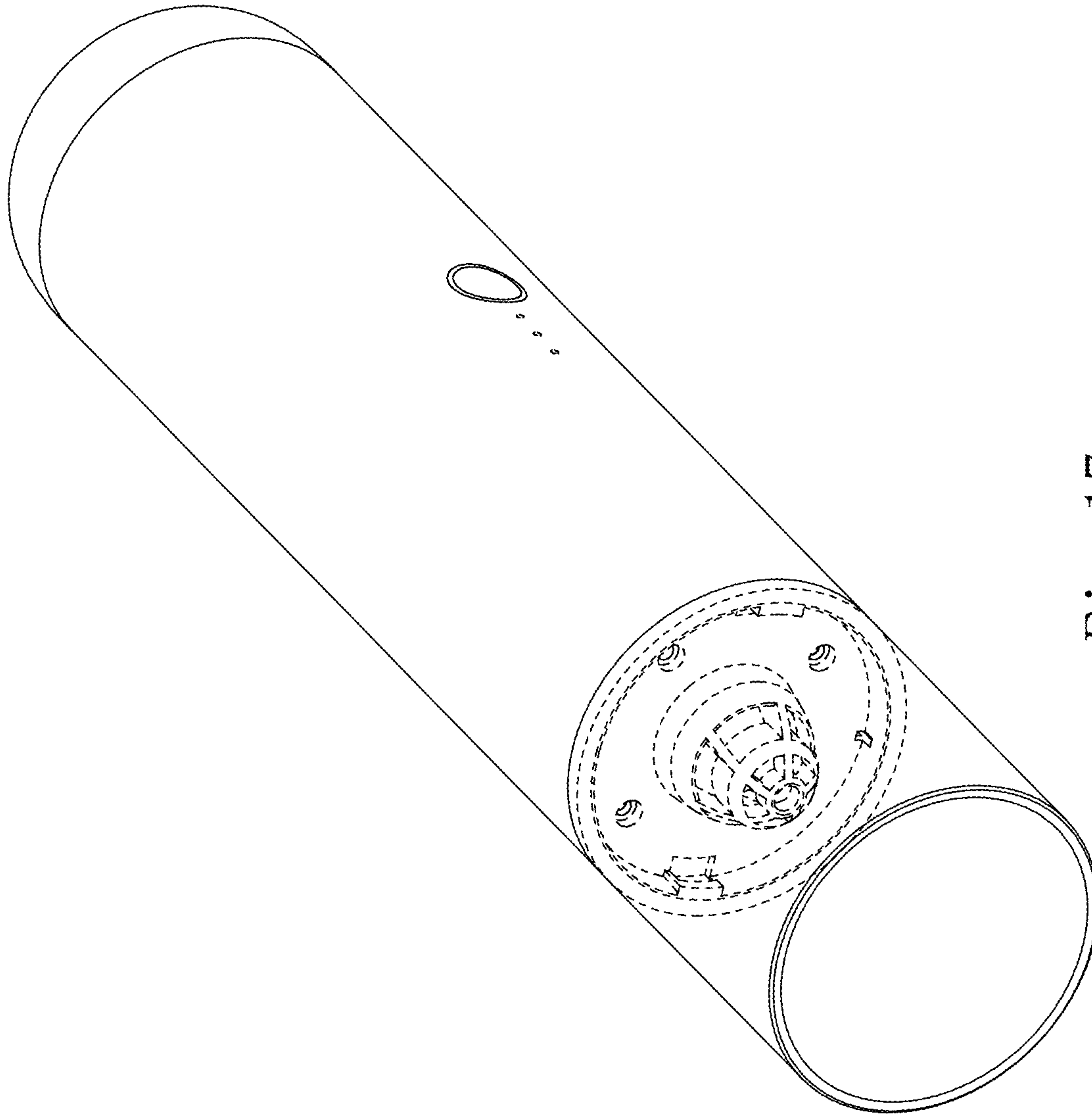


Fig. 17

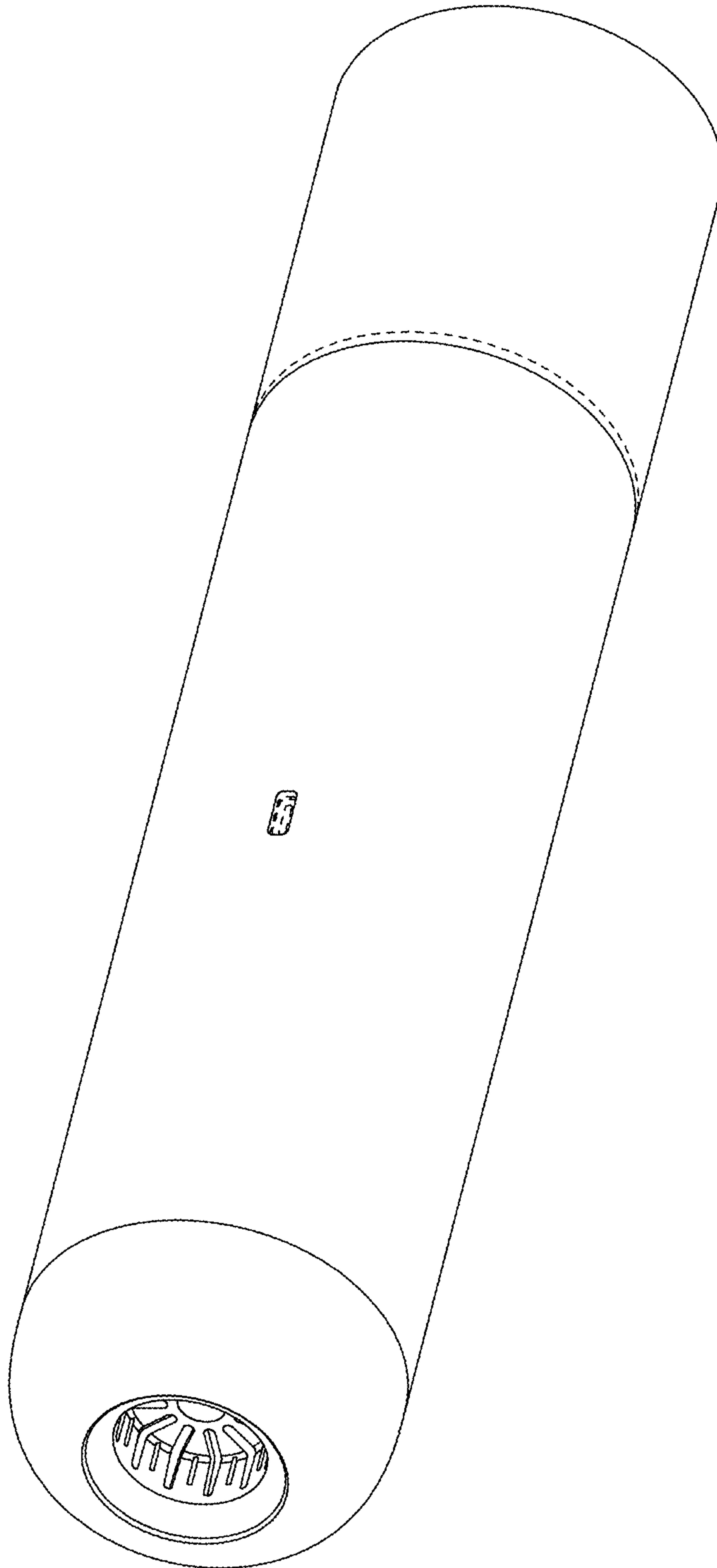


Fig. 18

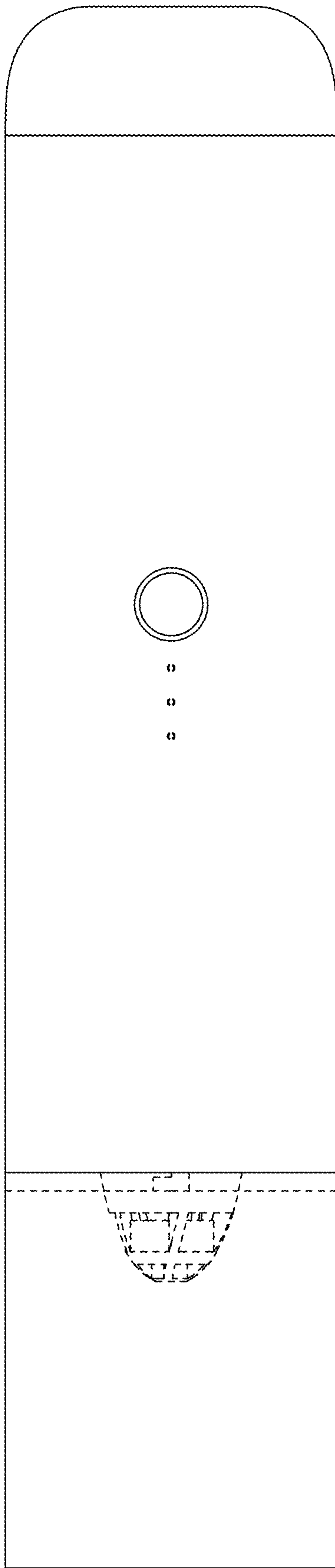


Fig. 19

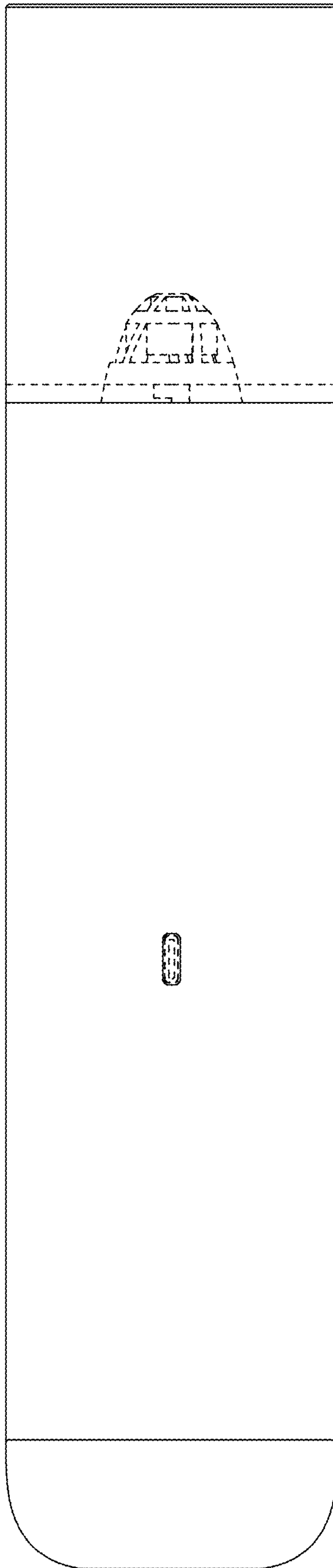


Fig. 20

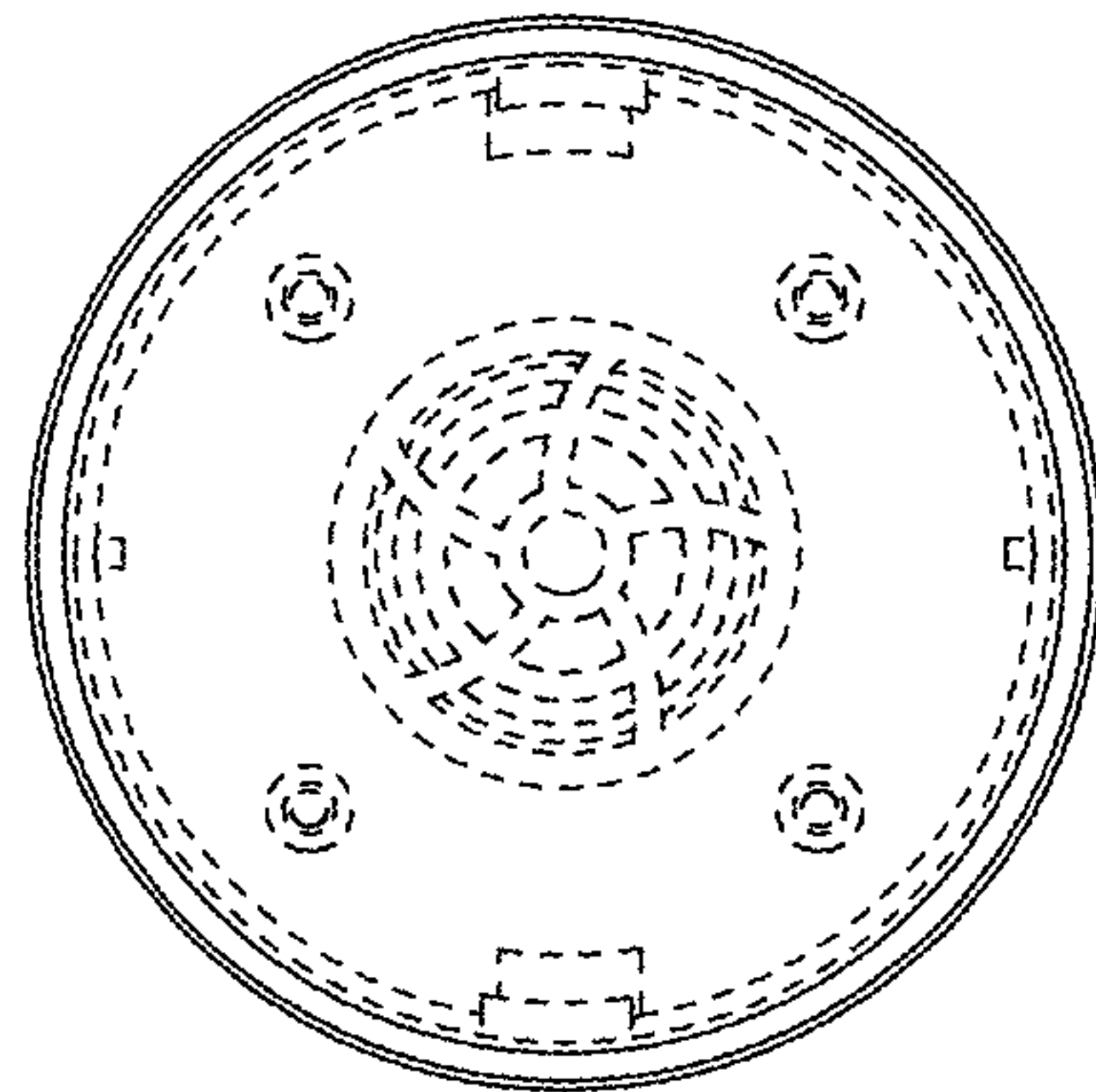


Fig. 21

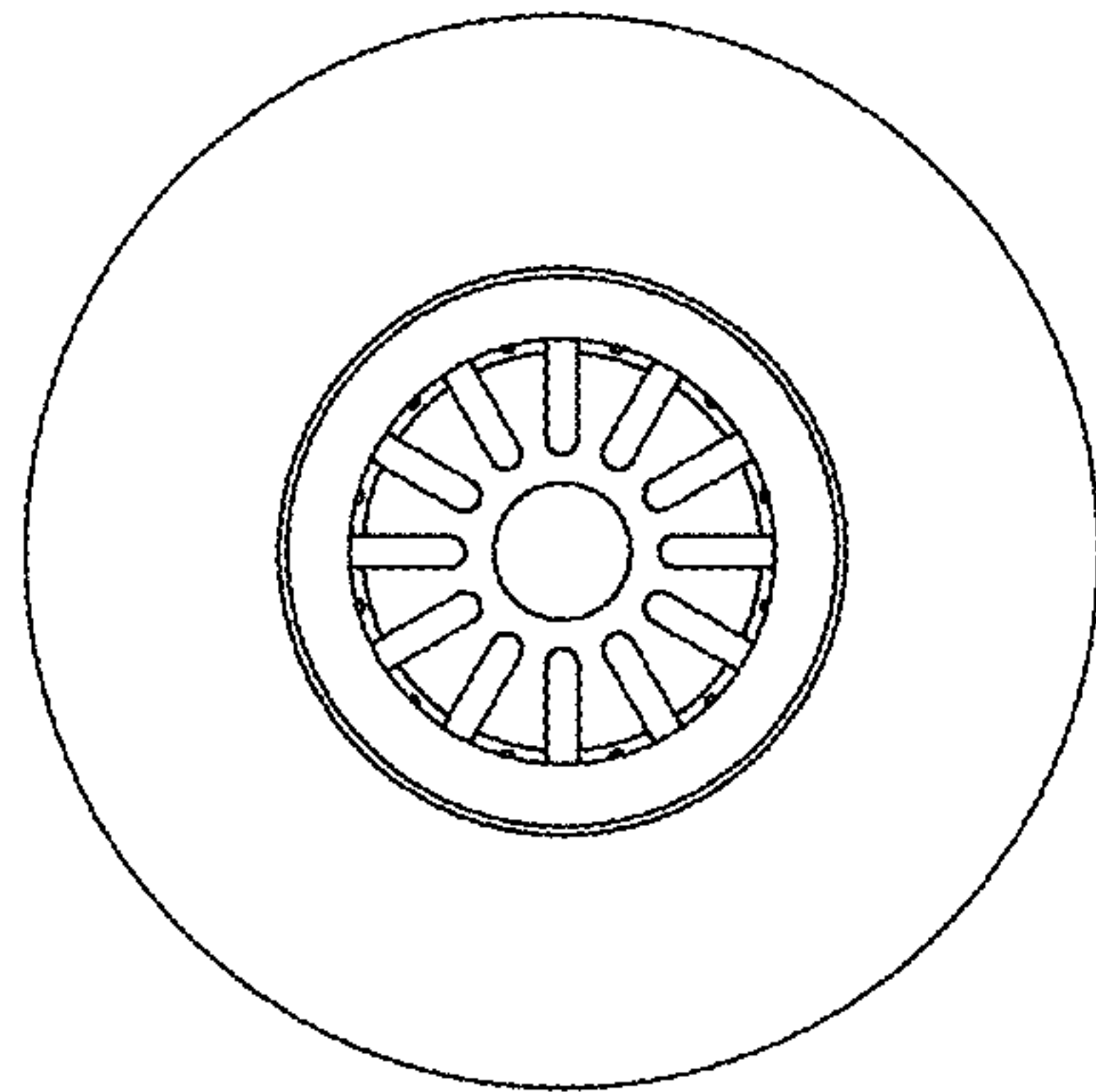


Fig. 22

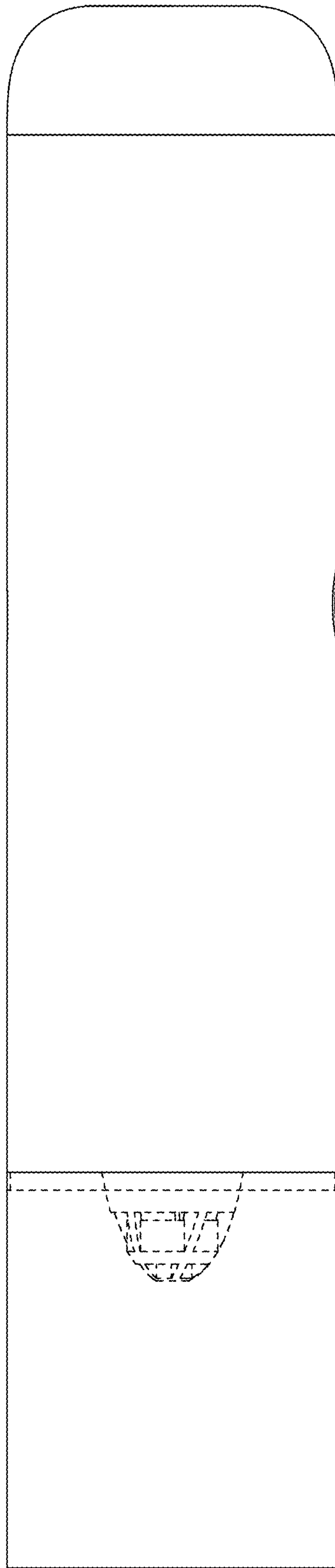


Fig. 23

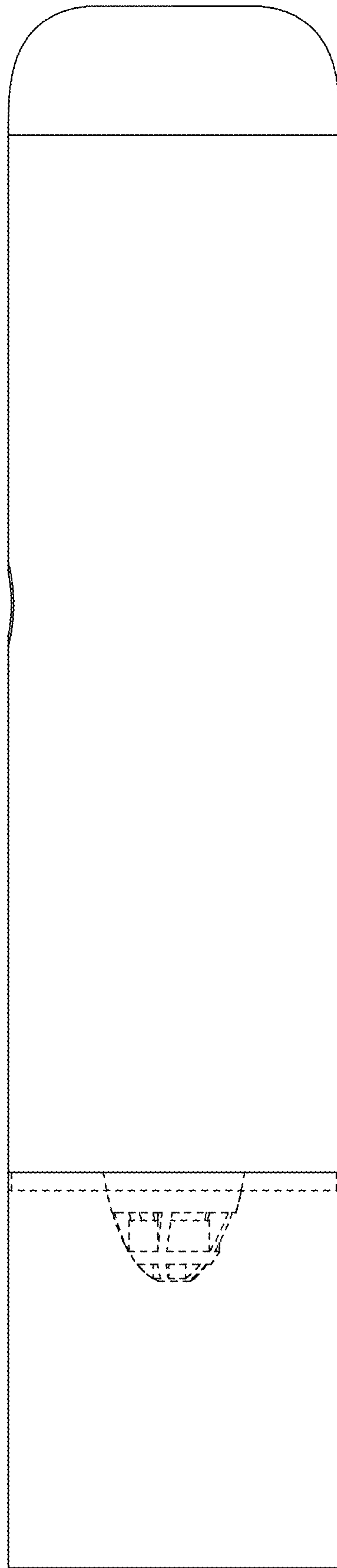


Fig. 24

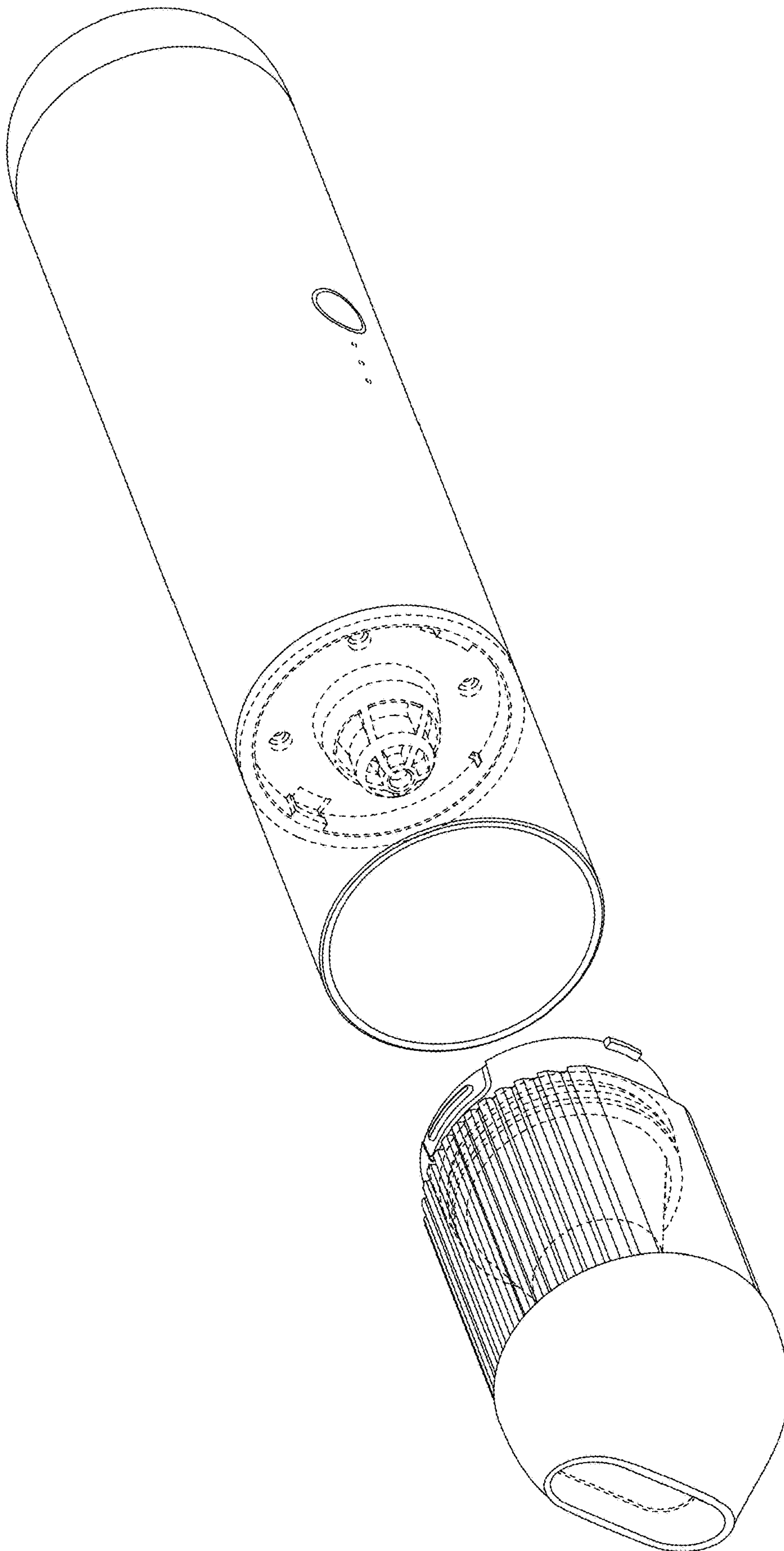


Fig. 25