

US00D959071S

(12) **United States Design Patent** (10) **Patent No.:** **US D959,071 S**
Kim et al. (45) **Date of Patent:** **** Jul. 26, 2022**

(54) **VACUUM CLEANER**

OTHER PUBLICATIONS

(71) Applicant: **Samsung Electronics Co., Ltd.**,
Suwon-si (KR)

Amazon.co.uk. Samsung Jet 70 https://www.amazon.co.uk/Samsung-VS15T7036R5/dp/B08JCXJY3G/ref=sr_1_5 (Year: 2020).*

(72) Inventors: **Yeon-Su Kim**, Suwon-si (KR);
Jae-Won Choi, Suwon-si (KR);
Hyoung-Sub Choi, Suwon-si (KR)

Primary Examiner — Michelle E. Wilson
Assistant Examiner — Richard E Yenchesky
(74) *Attorney, Agent, or Firm* — NSIP Law

(73) Assignee: **Samsung Electronics Co., Ltd.**,
Suwon-si (KR)

(**) Term: **15 Years**

(57) **CLAIM**

(21) Appl. No.: **29/764,453**

We claim the ornamental design for a vacuum cleaner, as shown and described.

(22) Filed: **Dec. 30, 2020**

(30) **Foreign Application Priority Data**

DESCRIPTION

Sep. 2, 2020 (KR) 30-2020-0041535

(51) **LOC (13) Cl.** **15-05**

(52) **U.S. Cl.**
USPC **D32/18**

(58) **Field of Classification Search**
USPC D32/17, 18, 21, 23, 25, 31, 32, 33, 34
CPC A47L 11/24; A47L 11/33; A47L 11/32;
A47L 9/1666; A47L 9/1608; A47L 11/00;
A47L 11/38; A47L 5/24; Y10S 55/03
See application file for complete search history.

FIG. 1 is a front perspective view of a vacuum cleaner showing our new design;
FIG. 2 is a front view thereof;
FIG. 3 is a rear view thereof;
FIG. 4 is a left-side view thereof;
FIG. 5 is a right-side view thereof;
FIG. 6 is a top view thereof;
FIG. 7 is a bottom view thereof;
FIG. 8 is a rear perspective view thereof;
FIG. 9 is another front perspective view thereof showing the vacuum cleaner in an open position;
FIG. 10 is another front perspective view thereof with an example vacuum cleaner body showing a state of use;
FIG. 11 is an enlarged view of the encircled portion in FIG. 1; and,
FIG. 12 is an enlarged view of the encircled portion in FIG. 6.

(56) **References Cited**

U.S. PATENT DOCUMENTS

D804,114 S * 11/2017 Kim D32/18
D844,912 S * 4/2019 Gammack D32/18
D861,265 S * 9/2019 Gammack D32/18
D901,109 S * 11/2020 Chen D32/18

(Continued)

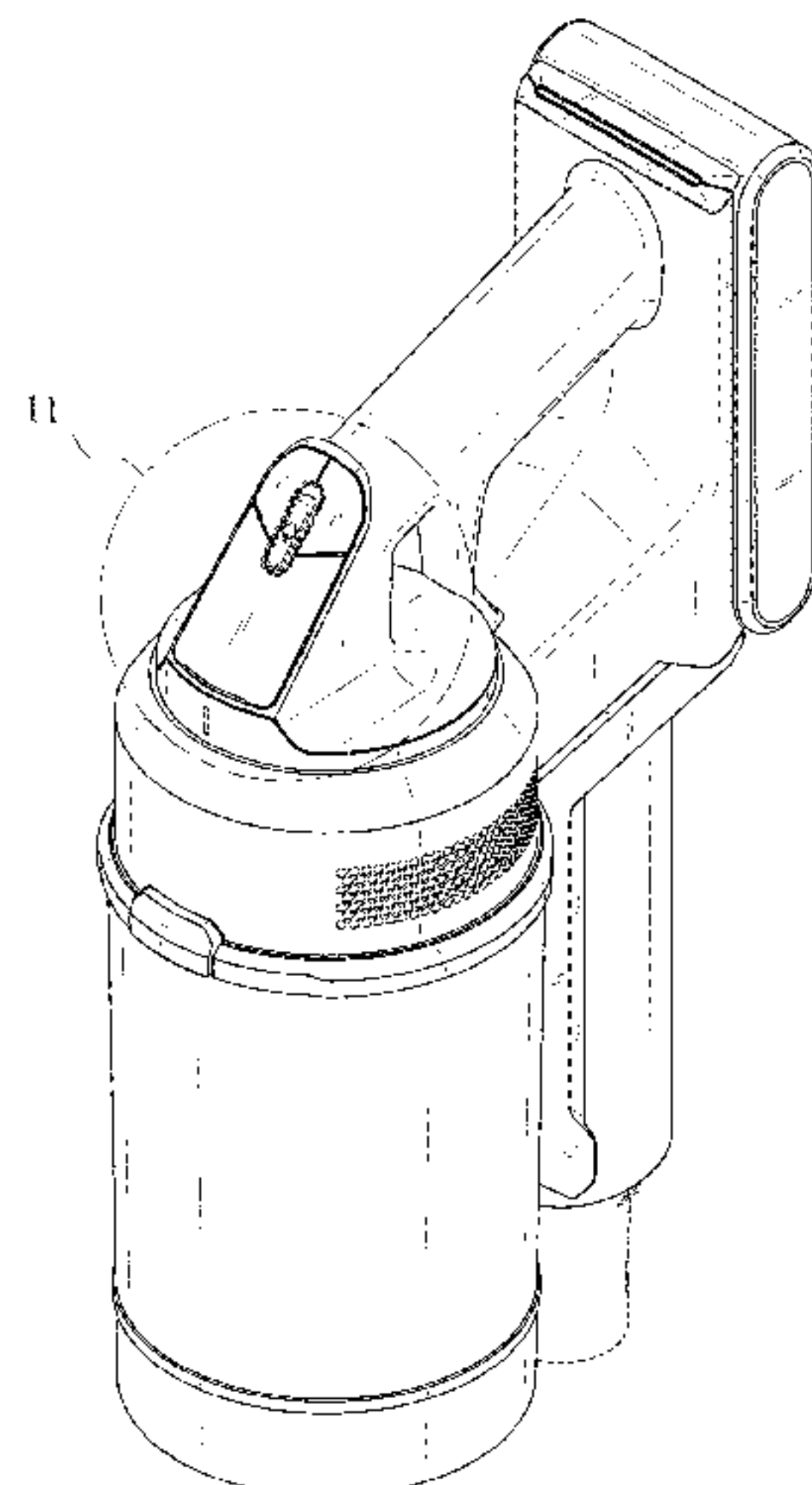
FOREIGN PATENT DOCUMENTS

CN 201930485413.7 5/2020
KR 30-2015-0033266 12/2018

(Continued)

The evenly dashed broken lines in the figures depict portions of the vacuum cleaner design that form no part of the claimed design.
The dot-dash broken lines encircling portions of the claimed design that are illustrated in enlargements form no part of the claimed design.

1 Claim, 12 Drawing Sheets



(56)

References Cited

U.S. PATENT DOCUMENTS

D912,344	S	*	3/2021	Choi	D32/22
D922,010	S	*	6/2021	Lin	D32/18
D927,110	S	*	8/2021	Ma	D32/18
D929,685	S	*	8/2021	Choi	D32/18
D929,686	S	*	8/2021	Uim	D32/18
D930,296	S	*	9/2021	Song	D32/18
D932,122	S	*	9/2021	Xu	D32/18
D940,413	S	*	1/2022	Zou	D32/18
2018/0055313	A1	*	3/2018	Yang	A47L 9/0427
2019/0200824	A1	*	7/2019	Campbell-Hill	A47L 9/102
2019/0200825	A1	*	7/2019	Crouch	A47L 9/165
2019/0200830	A1	*	7/2019	Crouch	A47L 9/0693
2020/0069131	A1	*	3/2020	Jung	A47L 9/244
2020/0230621	A1	*	7/2020	Conrad	B04C 9/00
2020/0230623	A1	*	7/2020	Conrad	B04C 5/103
2020/0245833	A1	*	8/2020	Lee	A47L 5/26
2021/0052121	A1	*	2/2021	Kim	A47L 9/1683
2021/0068603	A1	*	3/2021	Cho	A47L 9/19

FOREIGN PATENT DOCUMENTS

KR	30-2018-0040336		10/2019
KR	30-2018-0040341		10/2019
KR	301029288.0000	*	10/2019
KR	30-2019-0012191		3/2020

* cited by examiner

FIG. 1

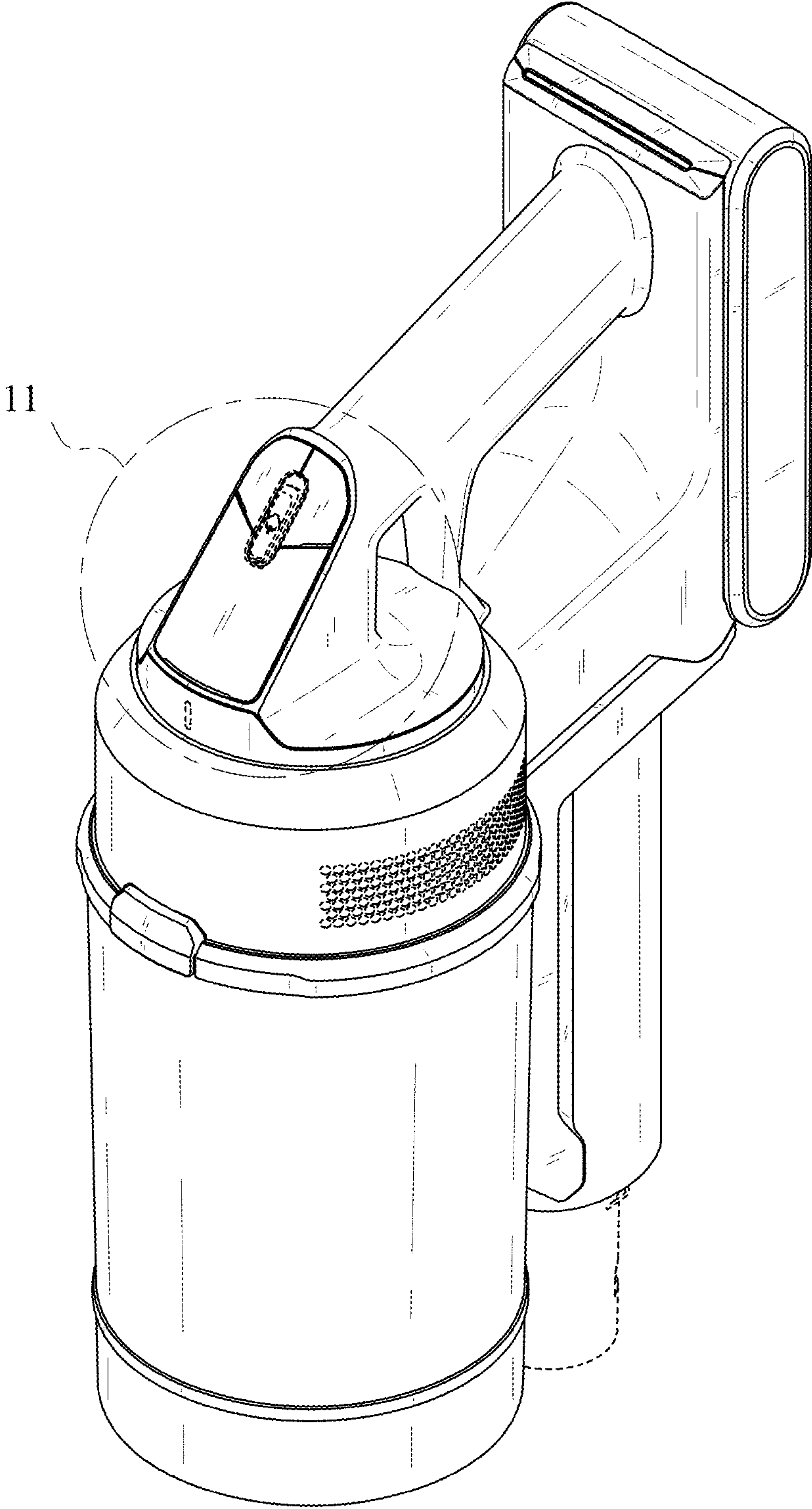


FIG. 2

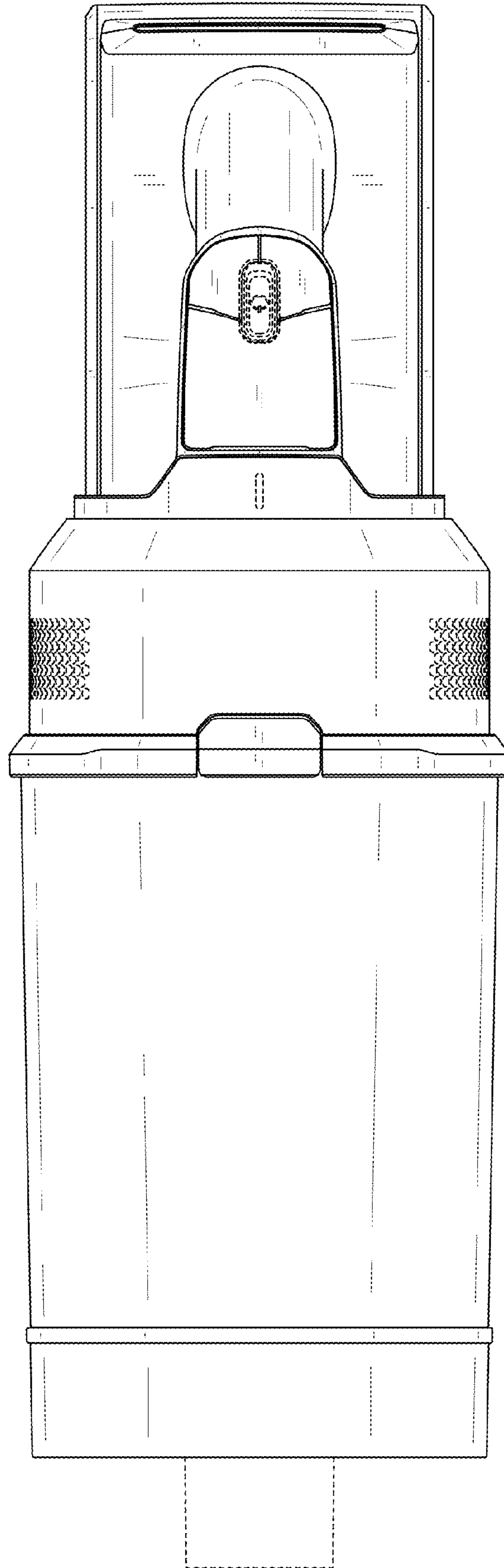


FIG. 3

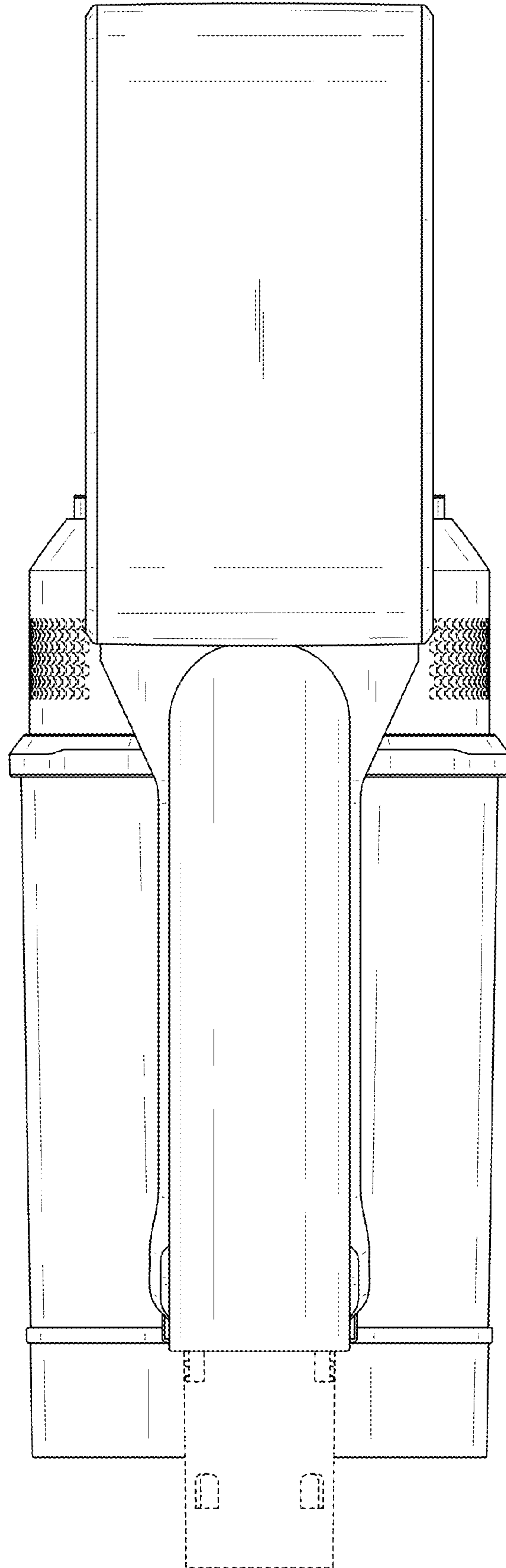


FIG. 4

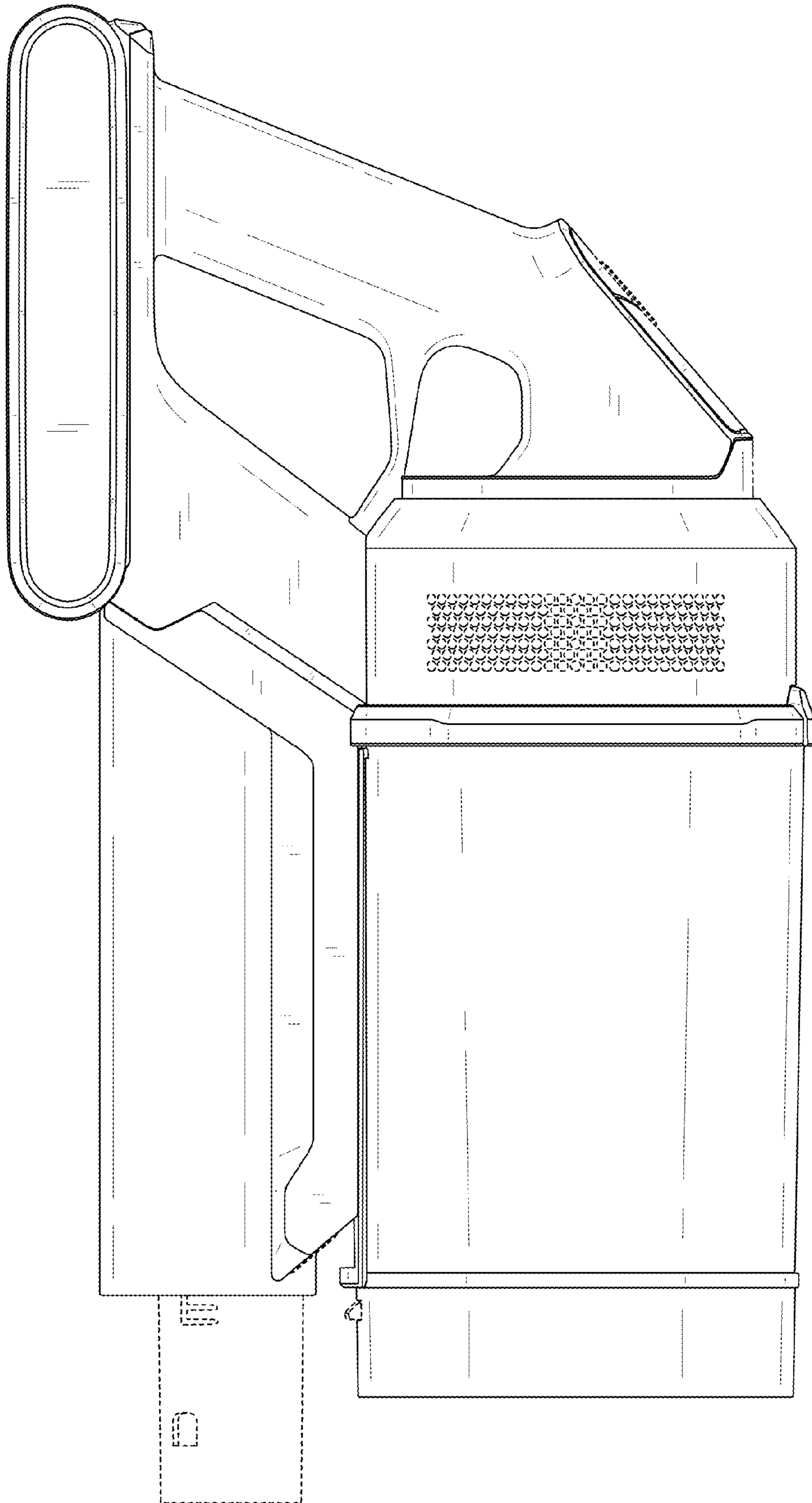


FIG. 5

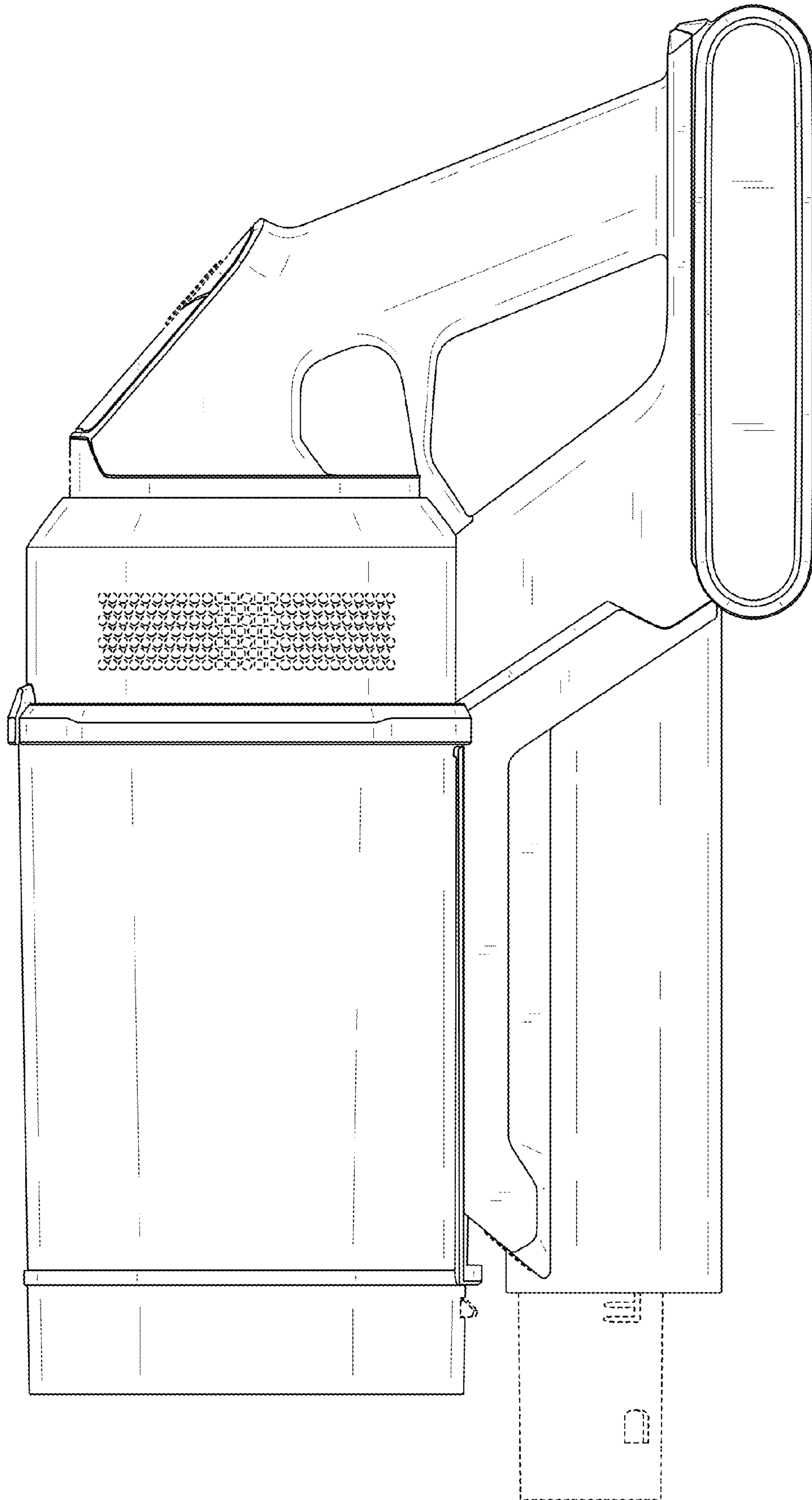


FIG. 6

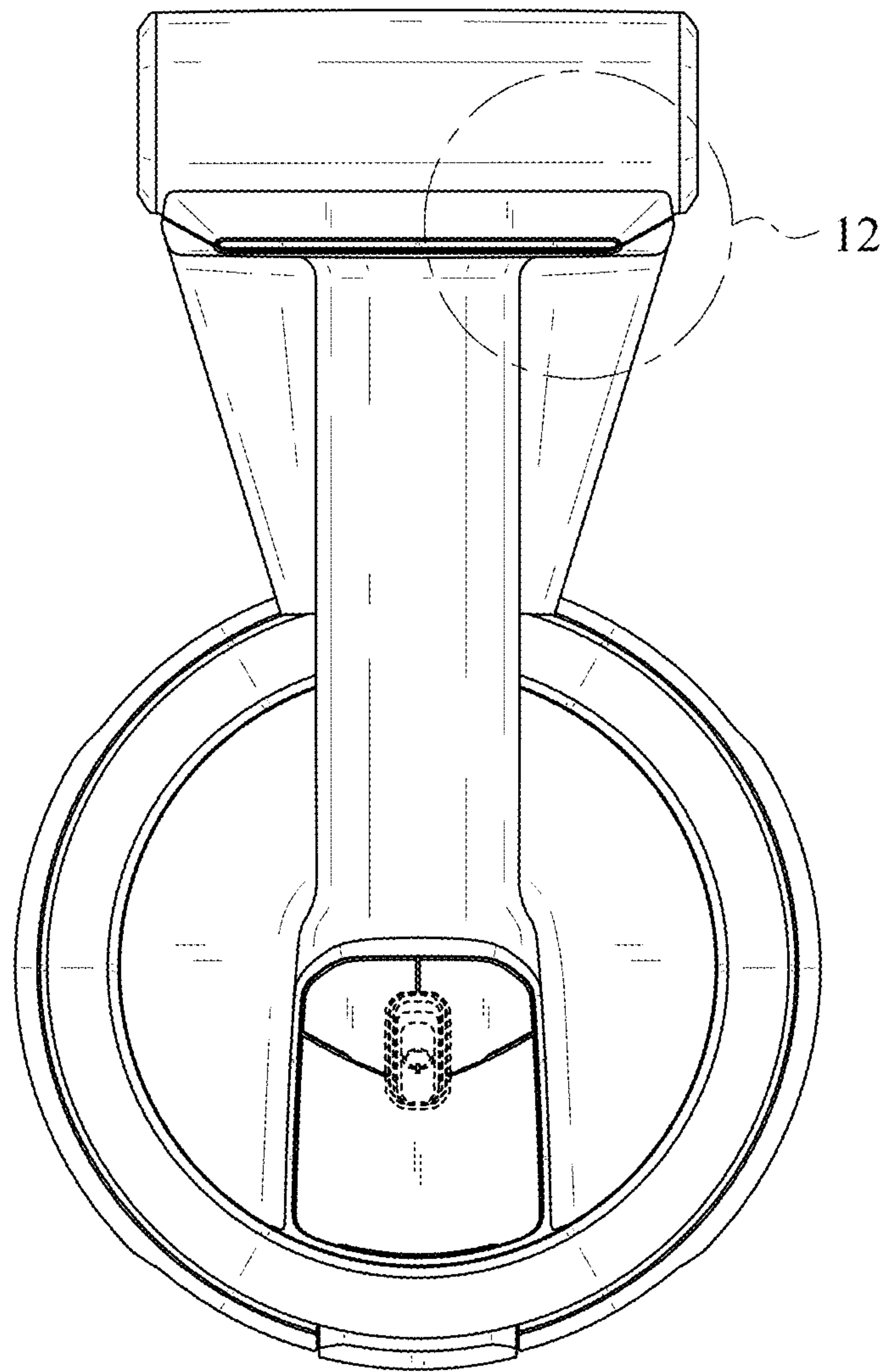


FIG. 7

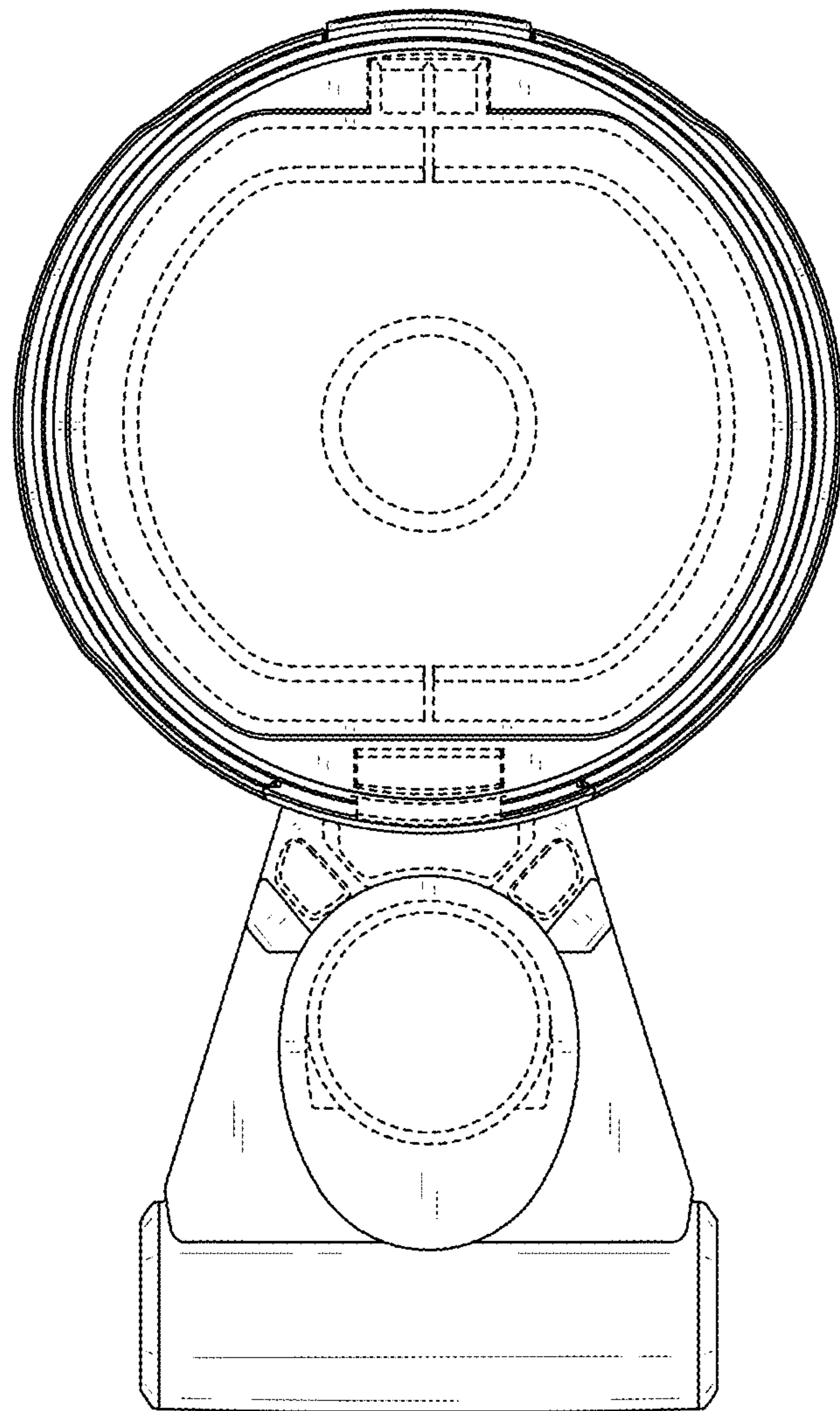


FIG. 8

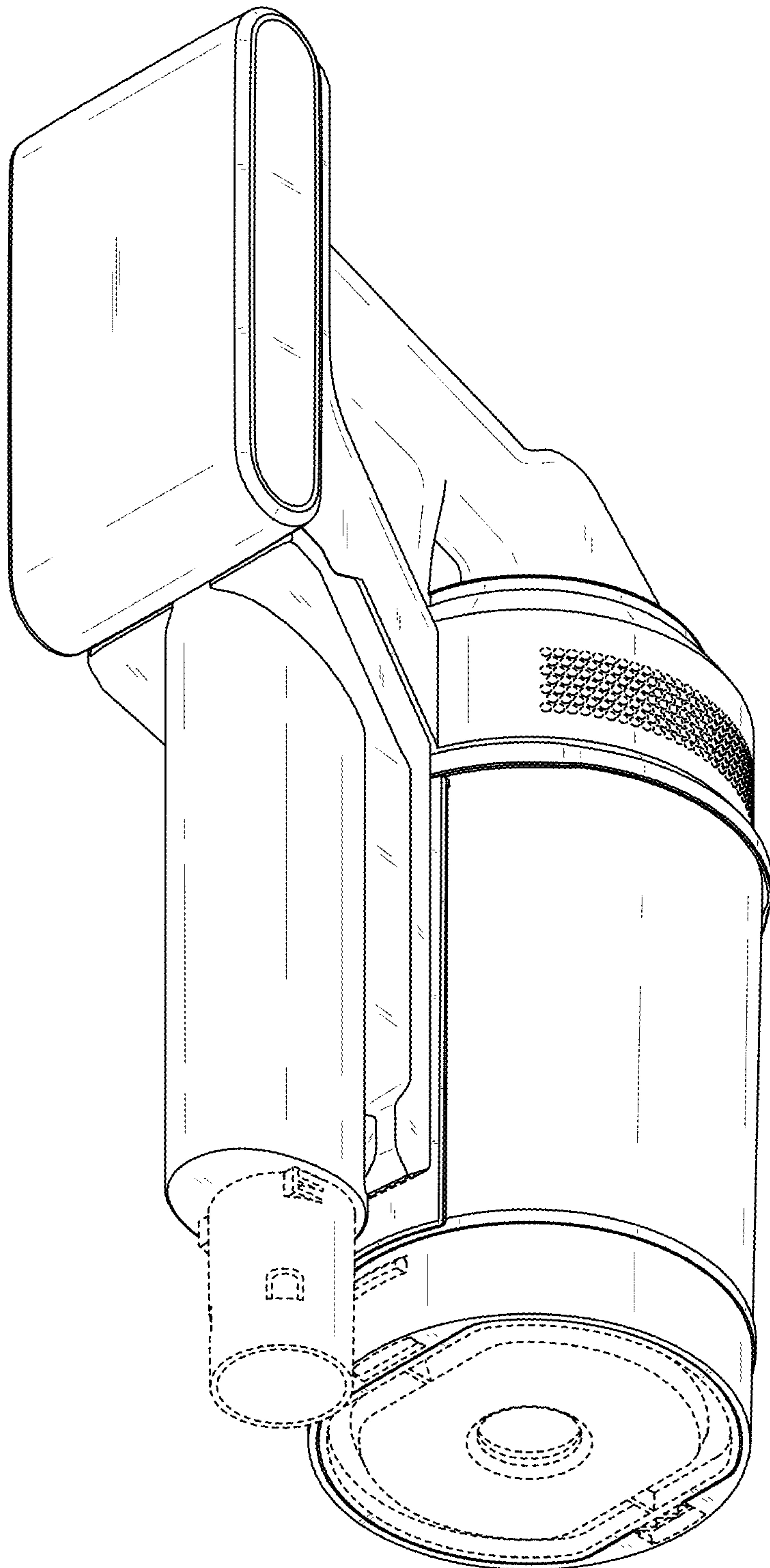


FIG. 9

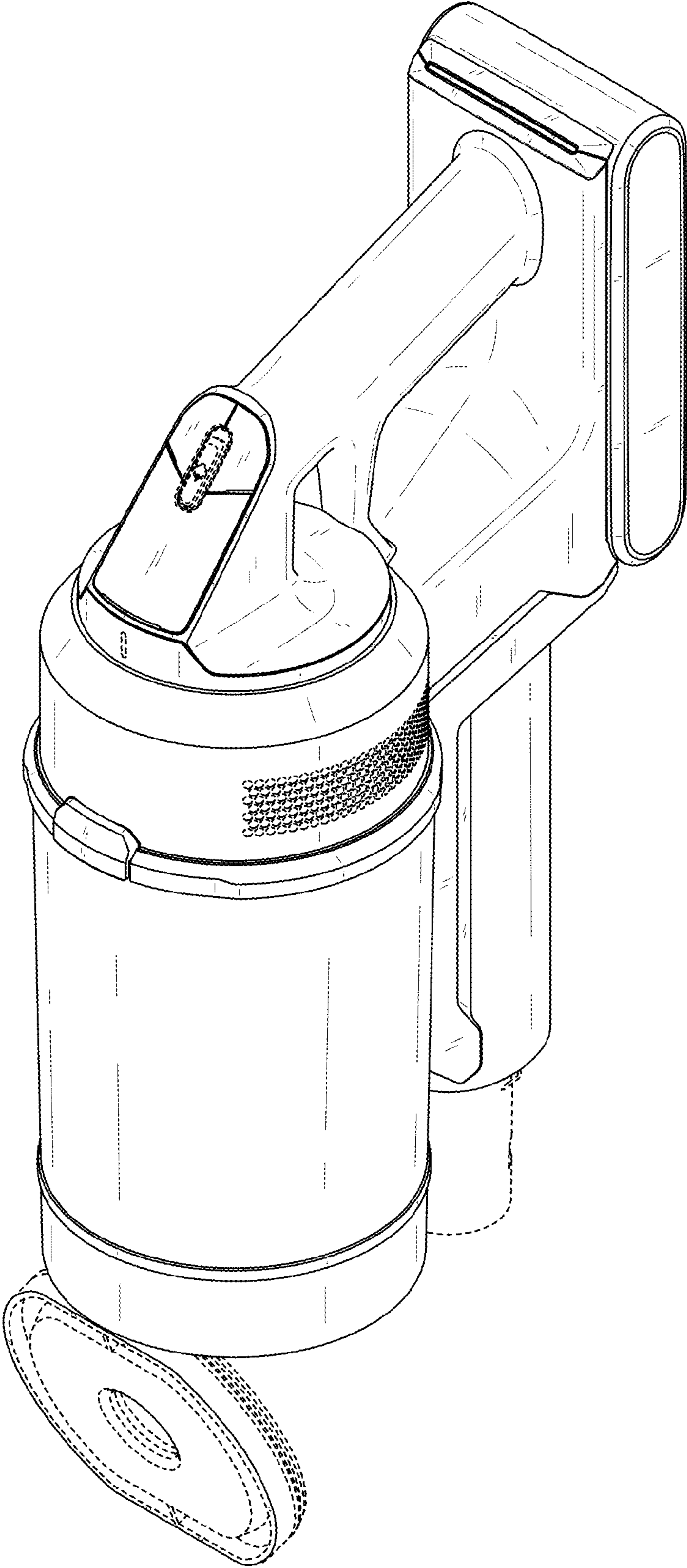


FIG. 10

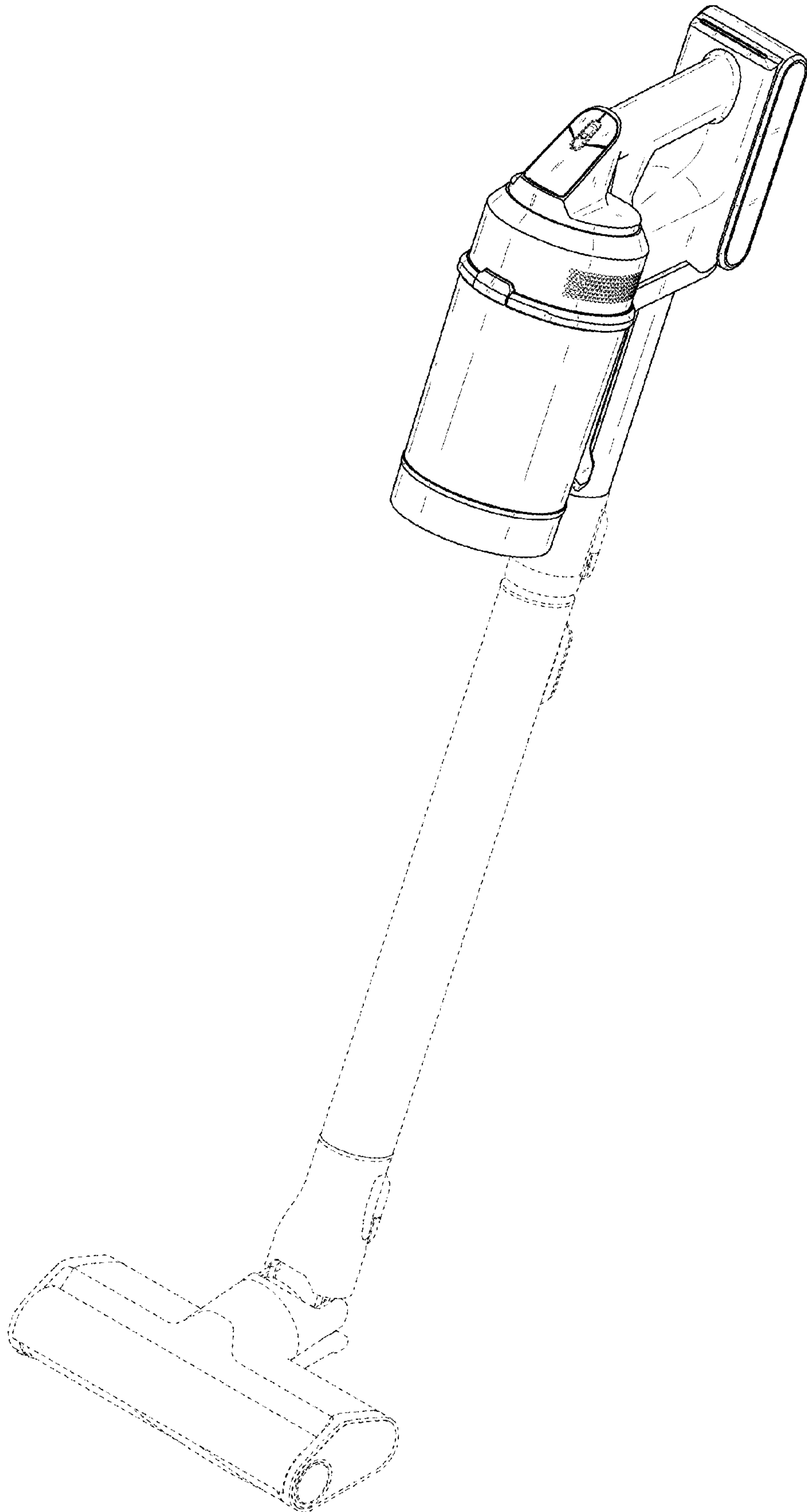


FIG. 11

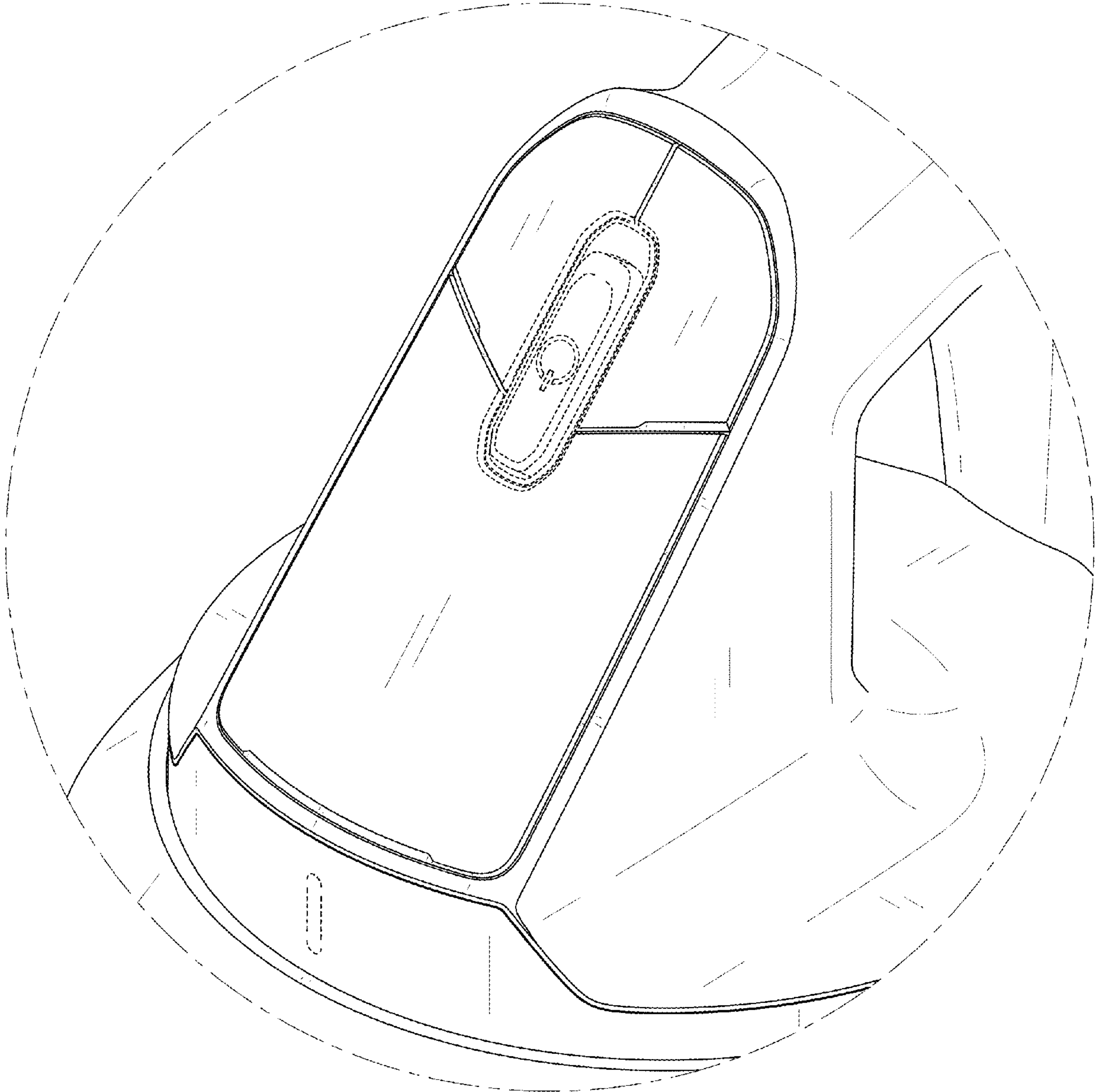


FIG. 12

