



US00D959070S

(12) **United States Design Patent**
Kim et al.

(10) **Patent No.:** **US D959,070 S**
(45) **Date of Patent:** **** Jul. 26, 2022**

(54) **VACUUM CLEANER**

FOREIGN PATENT DOCUMENTS

(71) Applicant: **Samsung Electronics Co., Ltd.**,
Suwon-si (KR)

CN 2019304854137 5/2020
KR 30-2015-0033266 12/2018

(Continued)

(72) Inventors: **Yeon-Su Kim**, Suwon-si (KR);
Jae-Won Choi, Suwon-si (KR);
Hyoung-Sub Choi, Suwon-si (KR)

OTHER PUBLICATIONS

Amazon.co.uk. Samsung Jet 70 https://www.amazon.co.uk/Samsung-VS15T7036R5/dp/B08JCXJY3G/ref=sr_1_5 (Year: 2020).*

(73) Assignee: **Samsung Electronics Co., Ltd.**,
Suwon-si (KR)

Primary Examiner — Michelle E. Wilson
Assistant Examiner — Richard E. Yenchesky

(**) Term: **15 Years**

(74) *Attorney, Agent, or Firm* — NSIP Law

(21) Appl. No.: **29/764,407**

(57) **CLAIM**

We claim the ornamental design for a vacuum cleaner, as shown and described.

(22) Filed: **Dec. 30, 2020**

DESCRIPTION

(30) **Foreign Application Priority Data**

Sep. 2, 2020 (KR) 30-2020-0041536

(51) **LOC (13) Cl.** **15-05**

(52) **U.S. Cl.**
USPC **D32/18**

(58) **Field of Classification Search**
USPC D32/17, 18, 21, 23, 25, 31, 32, 33, 34
CPC A47L 11/24; A47L 11/33; A47L 11/32;
A47L 9/1666; A47L 9/1608; A47L 11/00;
A47L 11/38; A47L 5/24; Y10S 55/03
See application file for complete search history.

FIG. 1 is a front perspective view of a vacuum cleaner showing our new design;
FIG. 2 is a front view thereof;
FIG. 3 is a rear view thereof;
FIG. 4 is a left-side view thereof;
FIG. 5 is a right-side view thereof;
FIG. 6 is a top view thereof;
FIG. 7 is a bottom view thereof;
FIG. 8 is a rear perspective view thereof;
FIG. 9 is another front perspective view thereof with an example vacuum cleaner body showing a state of use;
FIG. 10 is an enlarged view of the encircled portion in FIG. 1; and,
FIG. 11 is an enlarged view of the encircled portion in FIG. 6.

(56) **References Cited**

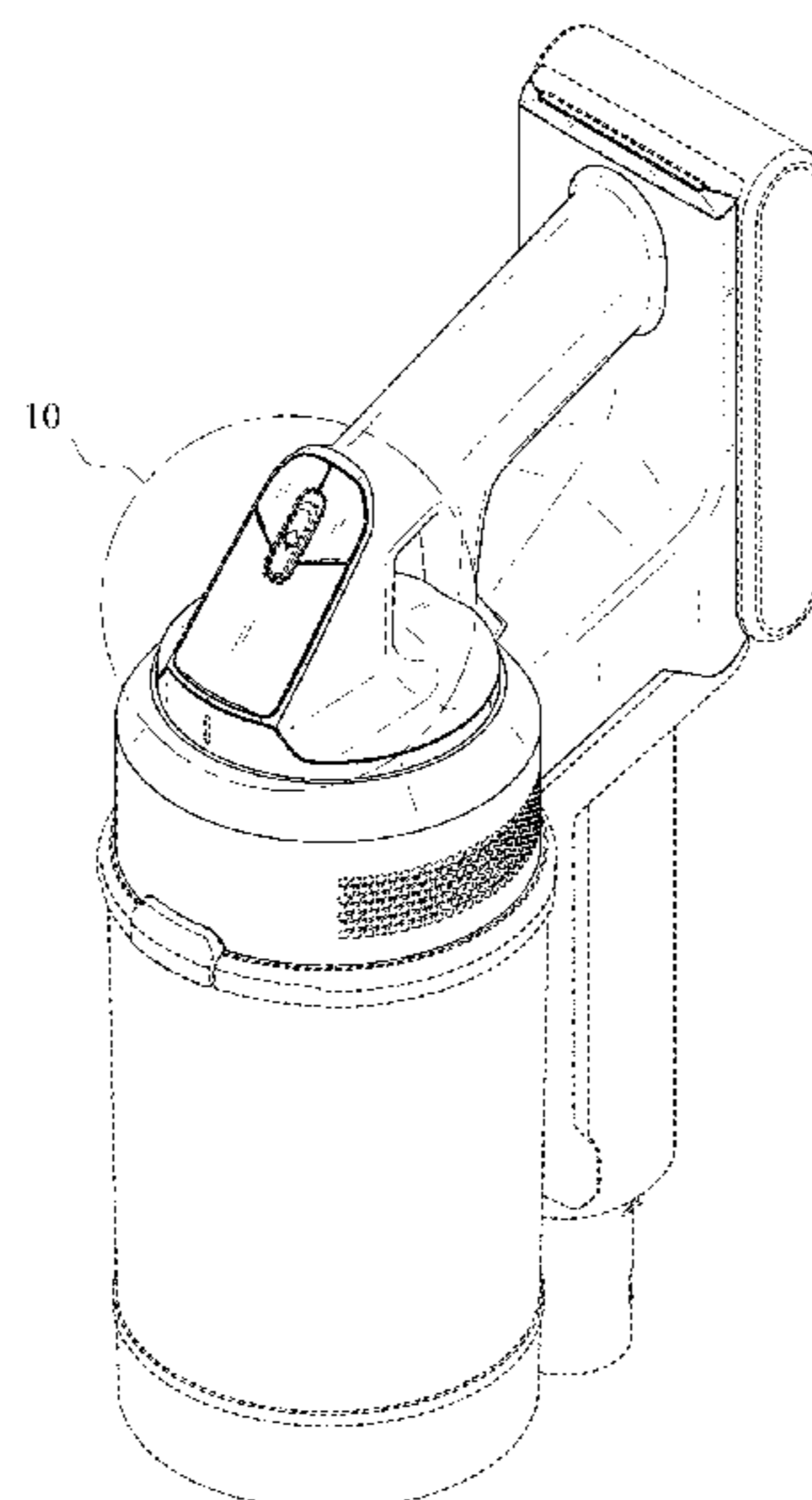
U.S. PATENT DOCUMENTS

D804,114 S * 11/2017 Kim D32/18
D844,912 S * 4/2019 Gammack D32/18
D861,265 S * 9/2019 Gammack D32/18
D901,109 S * 11/2020 Chen D32/18
D912,344 S * 3/2021 Choi D32/22
D922,010 S * 6/2021 Lin D32/18

The evenly dashed broken lines in the figures depict portions of the vacuum cleaner that form no part of the claimed design.
The dot-dash broken lines encircling portions of the claimed design that are illustrated in enlargements form no part of the claimed design.

(Continued)

1 Claim, 11 Drawing Sheets



(56)

References Cited

U.S. PATENT DOCUMENTS

D927,110 S * 8/2021 Ma D32/18
D929,685 S * 8/2021 Choi D32/18
D929,686 S * 8/2021 Uim D32/18
D930,296 S * 9/2021 Song D32/18
D932,122 S * 9/2021 Xu D32/18
D940,413 S * 1/2022 Zou D32/18
2018/0055313 A1 * 3/2018 Yang A47L 9/0427
2019/0200824 A1 * 7/2019 Campbell-Hill A47L 9/102
2019/0200825 A1 * 7/2019 Crouch A47L 9/165
2019/0200830 A1 * 7/2019 Crouch A47L 9/0693
2020/0069131 A1 * 3/2020 Jung A47L 9/244
2020/0230621 A1 * 7/2020 Conrad B04C 9/00
2020/0230623 A1 * 7/2020 Conrad B04C 5/103
2020/0245833 A1 * 8/2020 Lee A47L 5/26
2021/0052121 A1 * 2/2021 Kim A47L 9/1683
2021/0068603 A1 * 3/2021 Cho A47L 9/19

FOREIGN PATENT DOCUMENTS

KR 30-2018-0040336 10/2019
KR 30-2018-0040341 10/2019
KR 301029288.0000 * 10/2019
KR 30-2019-0012191 3/2020

* cited by examiner

FIG. 1

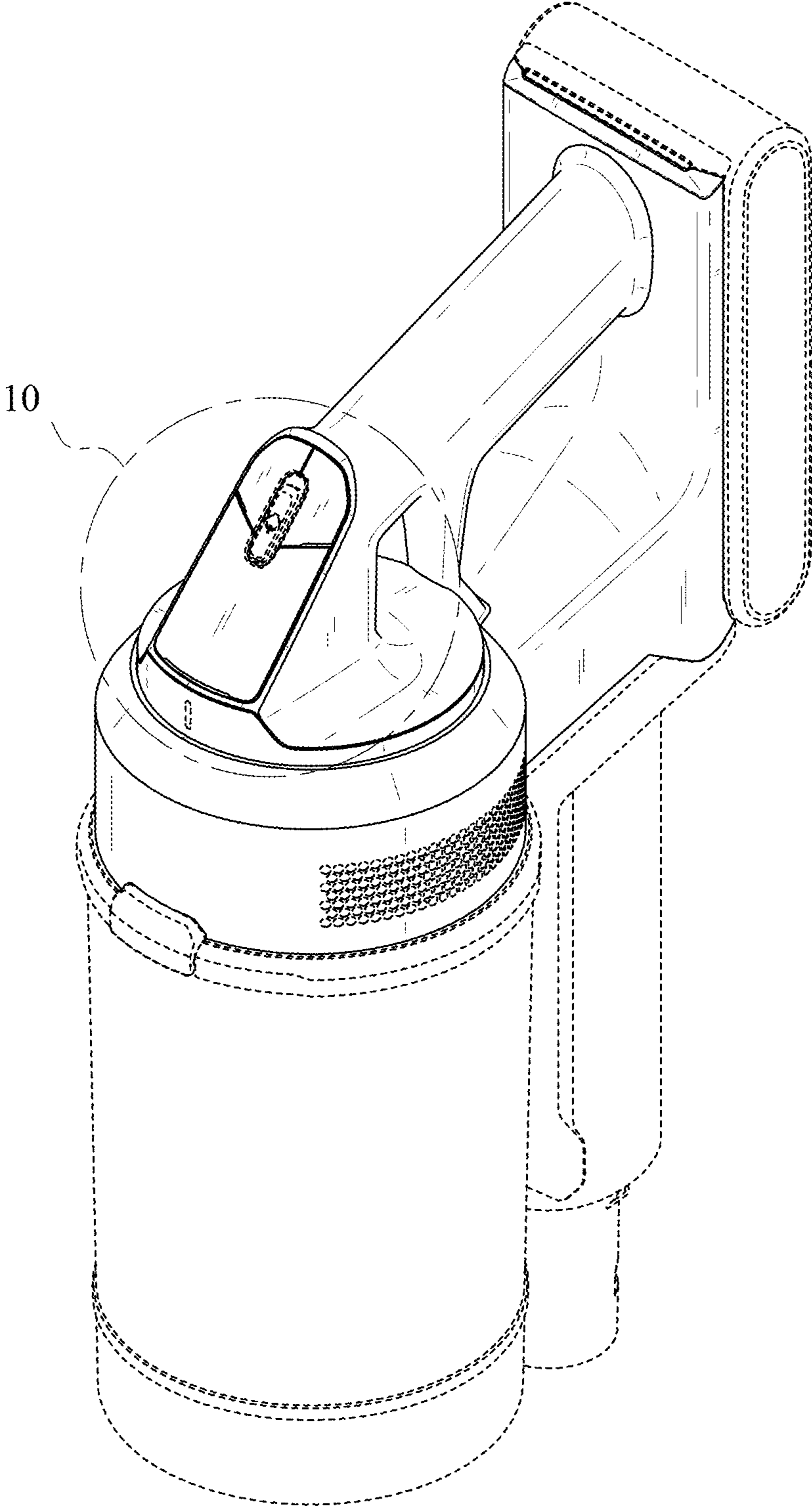


FIG. 2

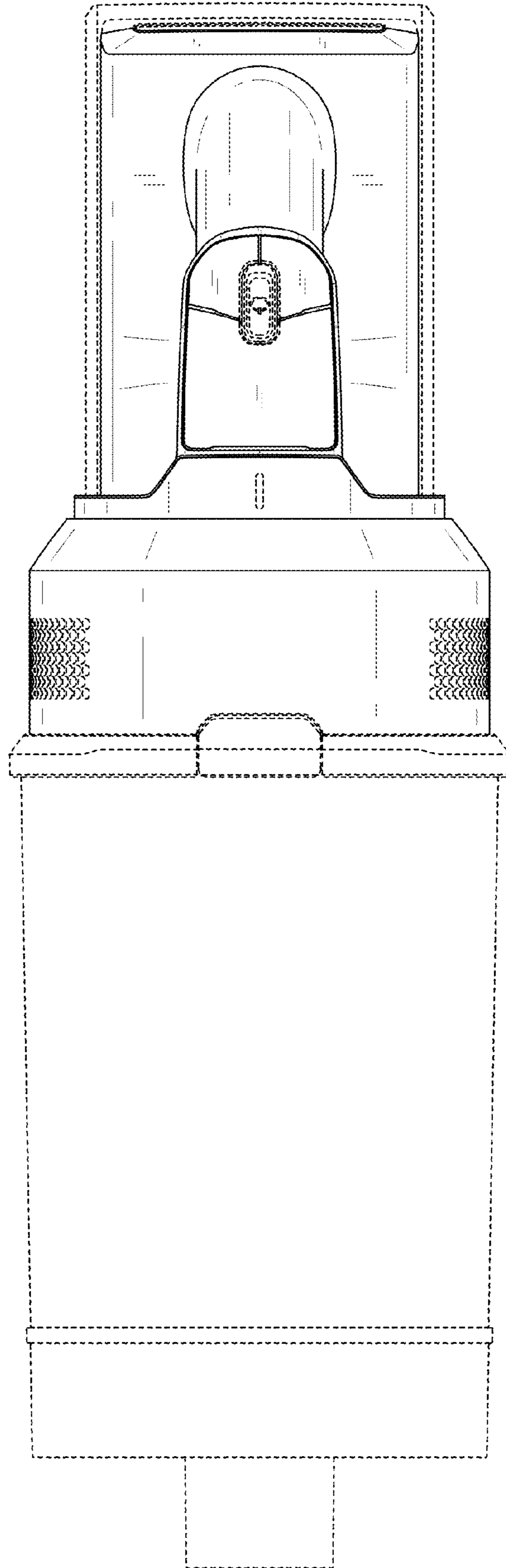


FIG. 3

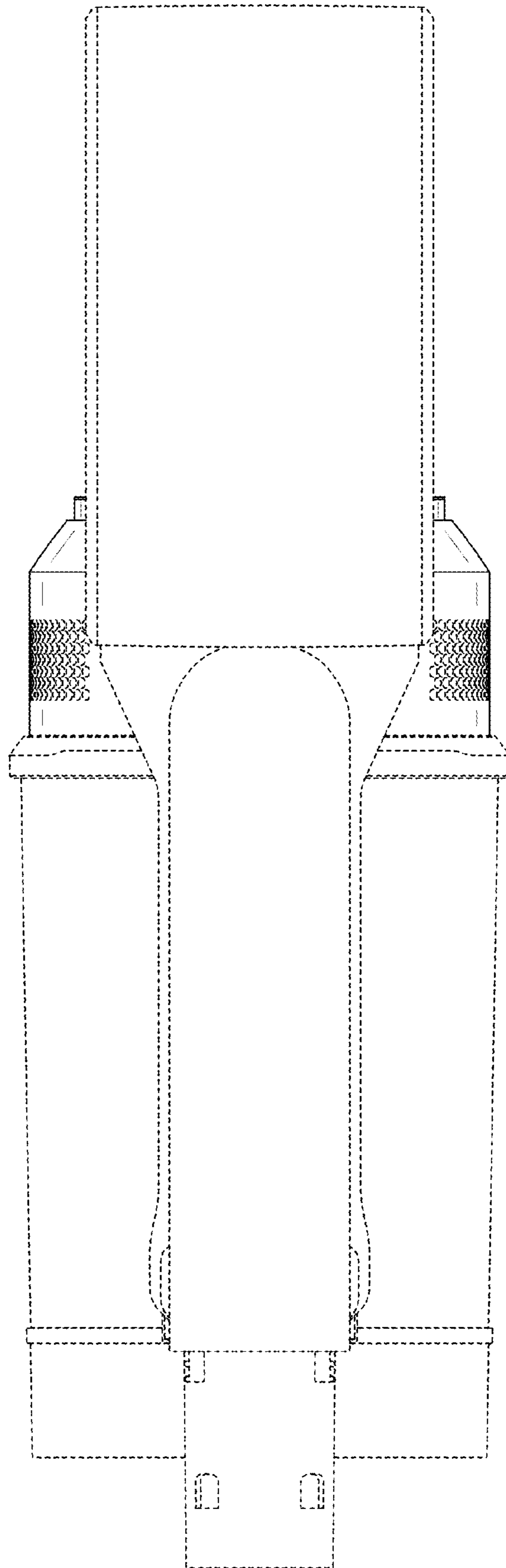


FIG. 4

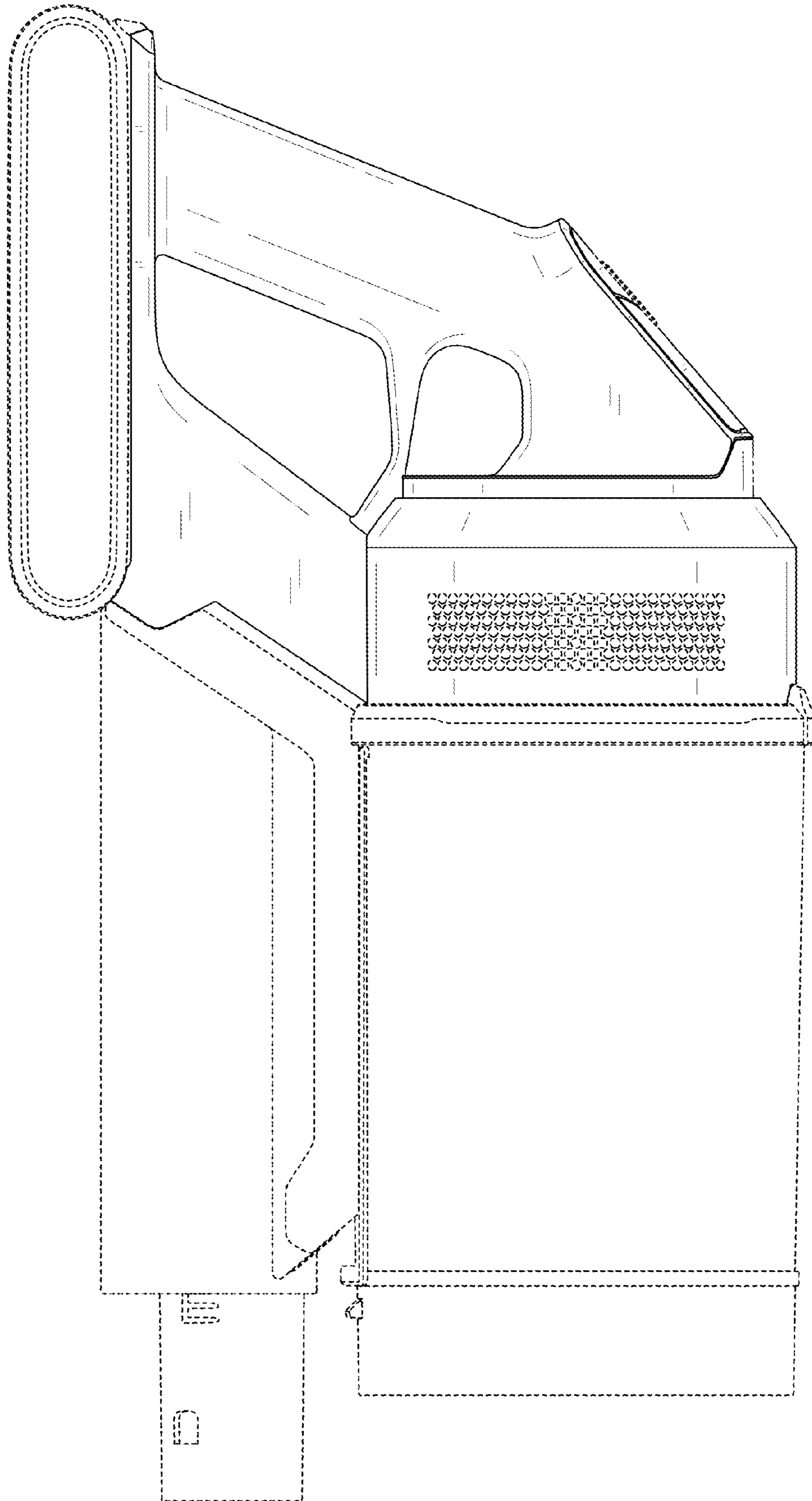


FIG. 5

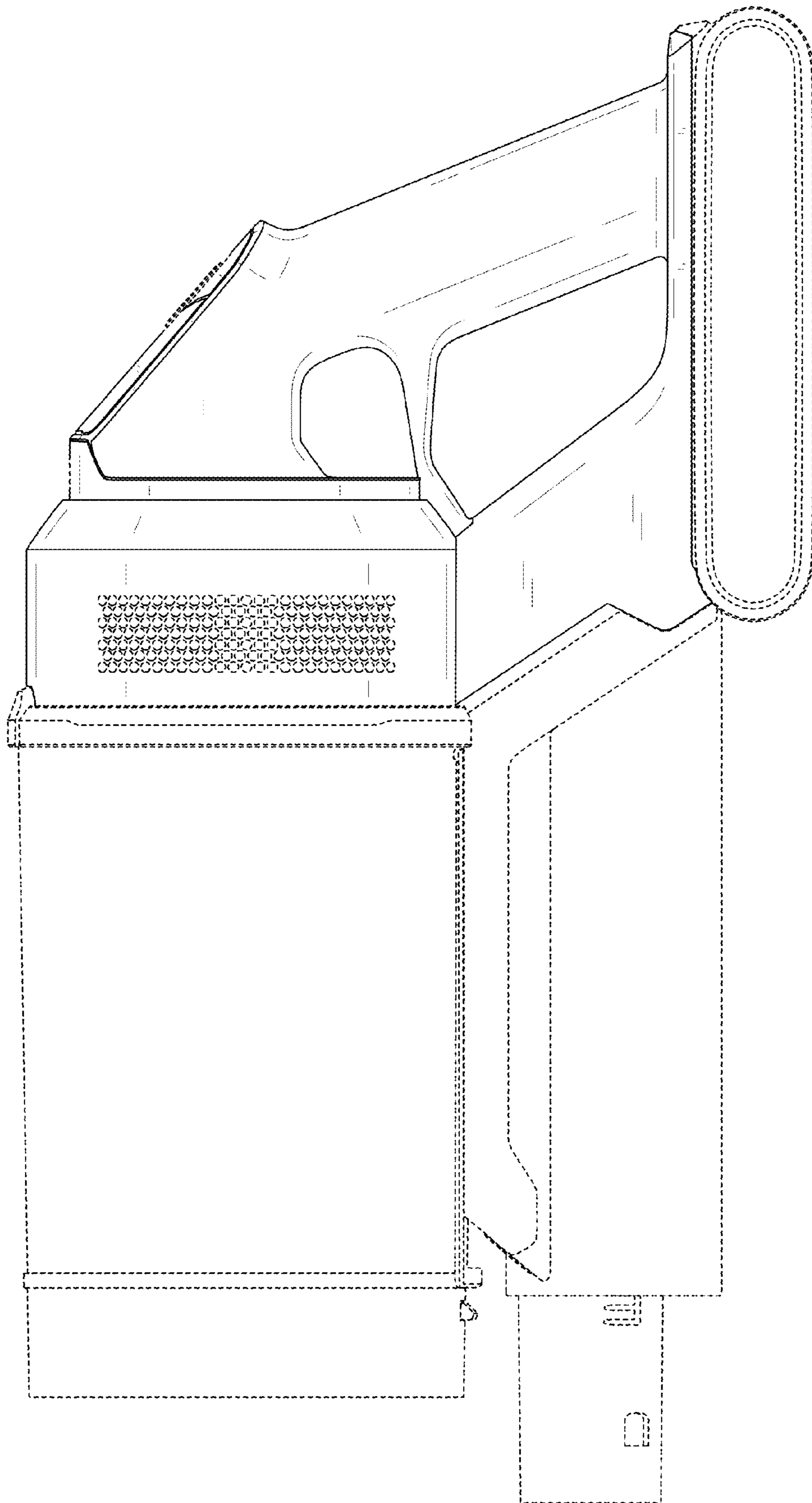


FIG. 6

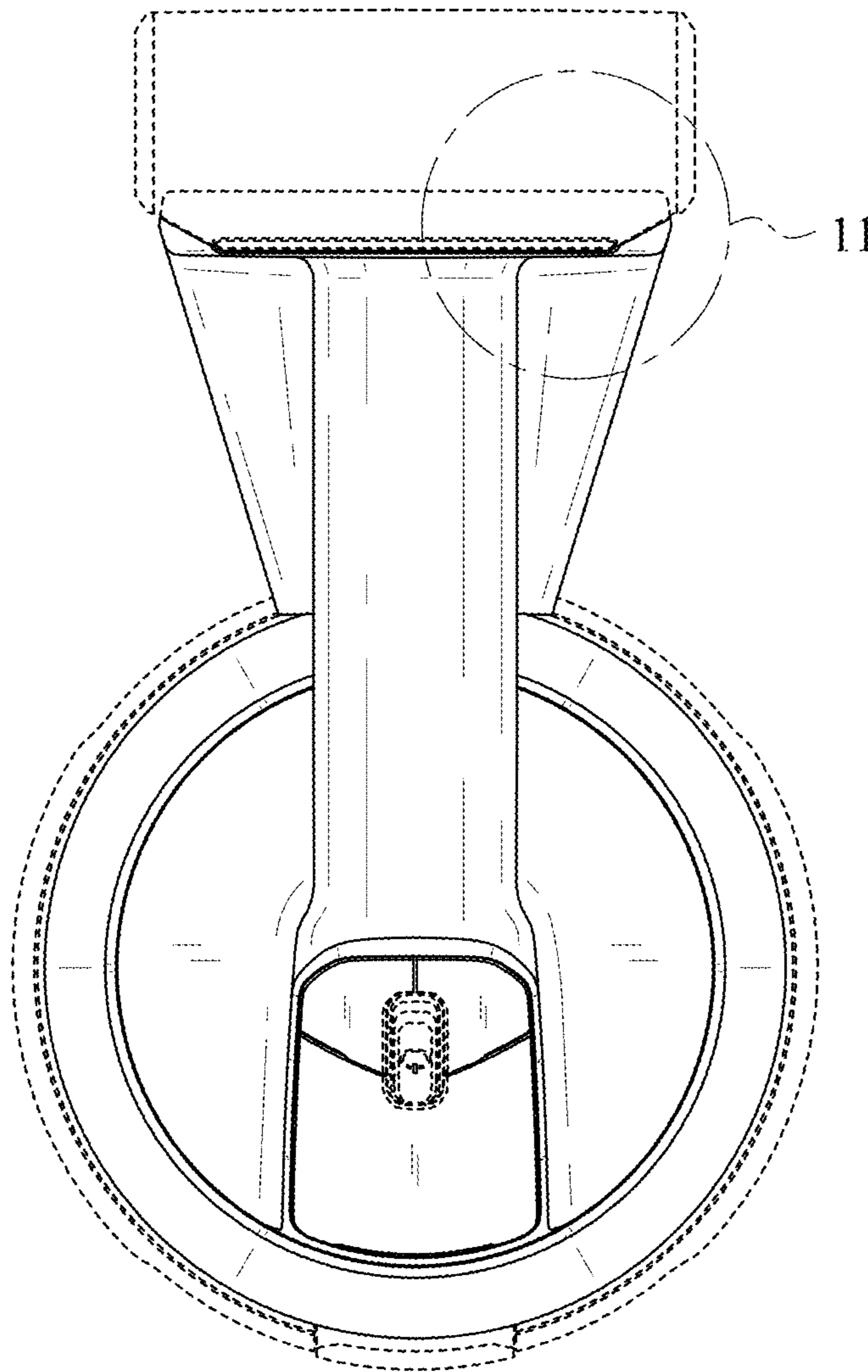


FIG. 7

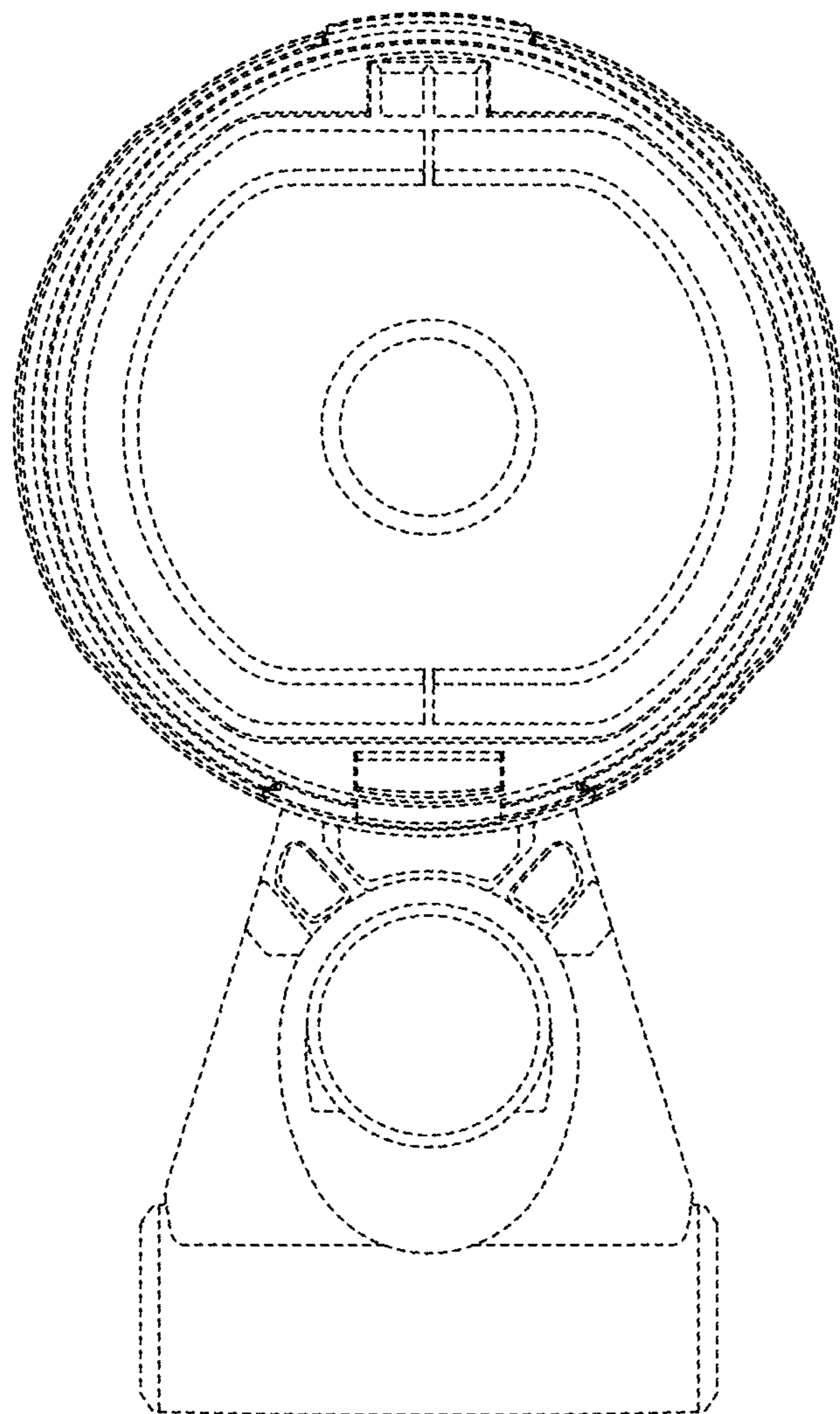


FIG. 8

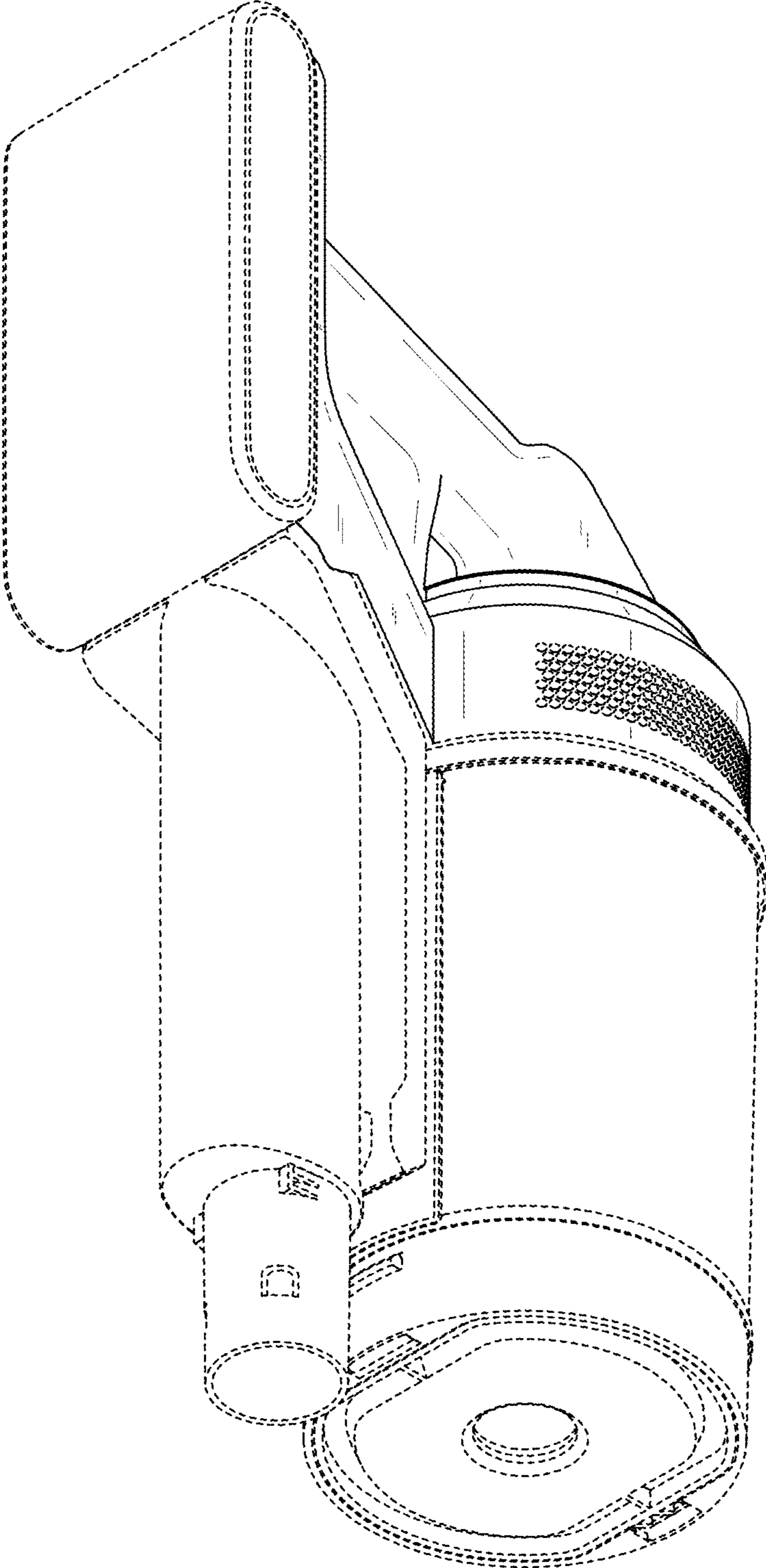


FIG. 9

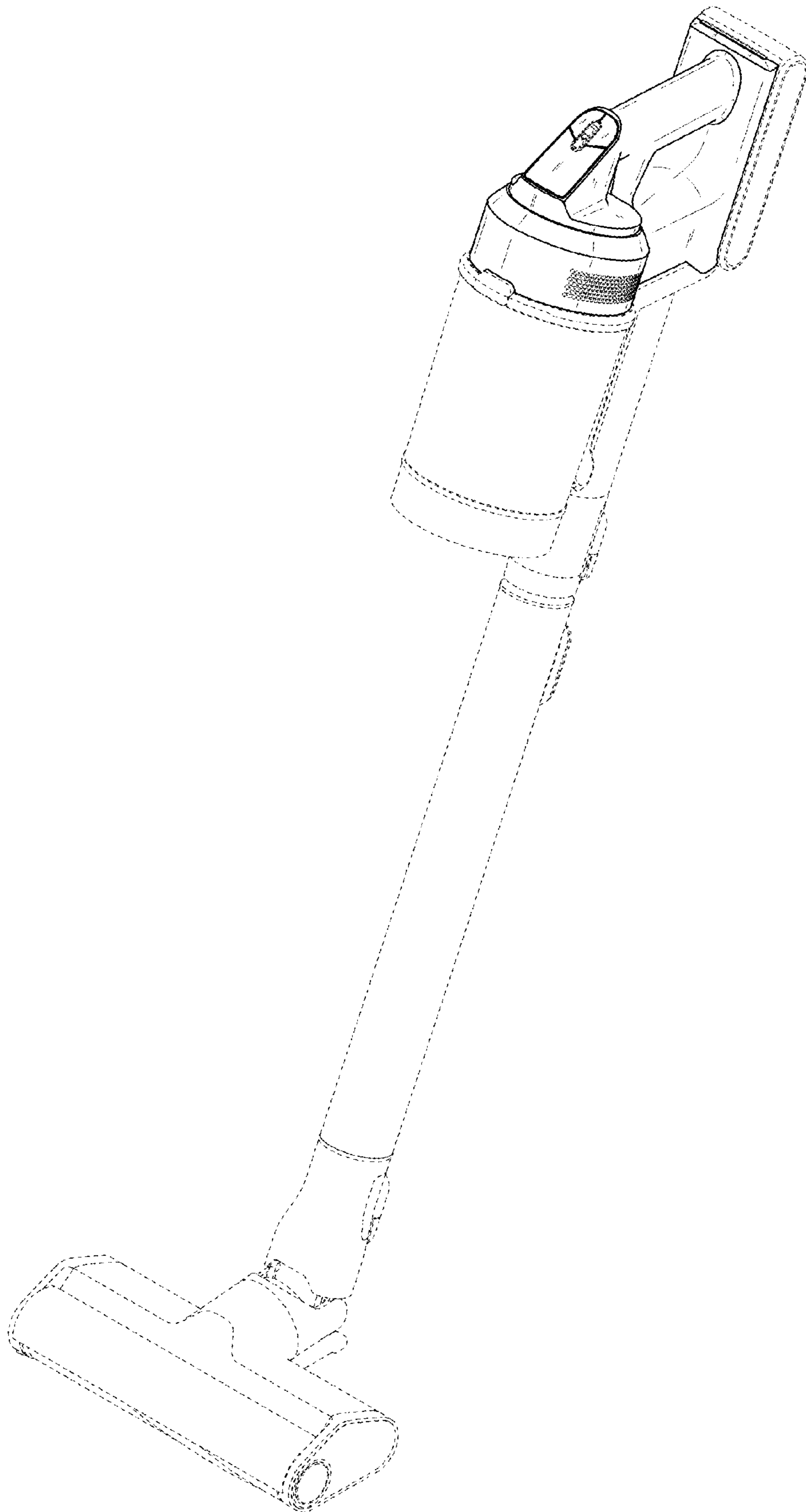


FIG. 10

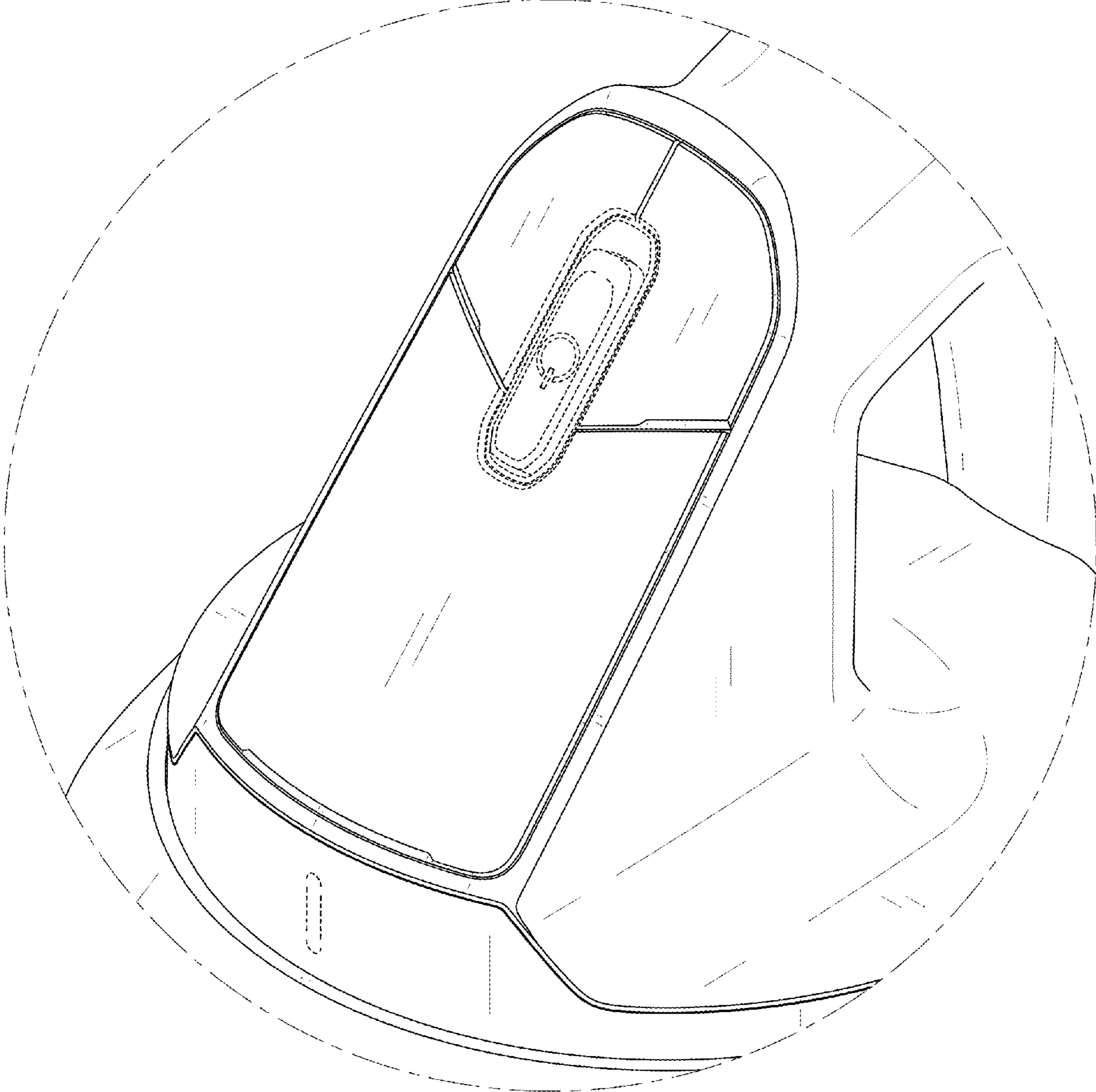


FIG. 11

