



US00D959069S

(12) **United States Design Patent** (10) **Patent No.:** **US D959,069 S**
Smith (45) **Date of Patent:** **** Jul. 26, 2022**

(54) **PLUNGER HEAD** D796,127 S * 8/2017 Guthrie E03C 1/308
D32/14
(71) Applicant: **Jordan D Smith**, New Berlin, WI (US) D844,910 S * 4/2019 Wu D32/14
D851,341 S 6/2019 Ginther
(72) Inventor: **Jordan D Smith**, New Berlin, WI (US) 10,590,638 B2 * 3/2020 Sinnett E03C 1/308
D943,846 S * 2/2022 Pokharel D32/14
D944,473 S * 2/2022 Pokharel D32/14
(73) Assignee: **Lavelle Industries, Inc.**, Burlington, WI (US) 2014/0075661 A1 * 3/2014 Zeng E03C 1/302
4/255.11
2014/0115768 A1 * 5/2014 Wang E03D 9/00
4/255.11

(**) Term: **15 Years**

(21) Appl. No.: **29/755,378**

(22) Filed: **Oct. 20, 2020**

(51) **LOC (13) Cl.** **07-05**

(52) **U.S. Cl.**
USPC **D32/14**

(58) **Field of Classification Search**
USPC D32/14; D6/524
CPC A47K 17/00
See application file for complete search history.

(56) **References Cited**

U.S. PATENT DOCUMENTS

3,021,532 A	2/1962	Gross	
D292,631 S *	11/1987	Tash	D32/14
4,745,641 A *	5/1988	Tash	E03C 1/308 4/255.11
D364,251 S *	11/1995	Novak	D32/35
D381,147 S *	7/1997	Tash	D32/35
D385,073 S *	10/1997	Tash	D32/35
D406,930 S	3/1999	Epps	
D437,667 S *	2/2001	Hwang	D32/35
6,192,525 B1 *	2/2001	Tash	E03C 1/308 4/255.11
D448,534 S	9/2001	Wang	
D454,673 S *	3/2002	Hwang	D32/35
D456,574 S *	4/2002	Chen	D32/35
D651,836 S *	1/2012	Libman	D6/524
D688,840 S *	8/2013	Wu	D32/14
D690,959 S *	10/2013	Yang	D6/524

OTHER PUBLICATIONS

AMazon website Steadmax plunger, reviews 2019, site visited Apr. 7, 2022, <https://www.amazon.com/dp/B072YVPG27?tag=qucom-20&linkCode=osi&th=1>.*

* cited by examiner

Primary Examiner — John R Yeh

(74) *Attorney, Agent, or Firm* — Joseph S. Heino; Erin E. Kaprelian

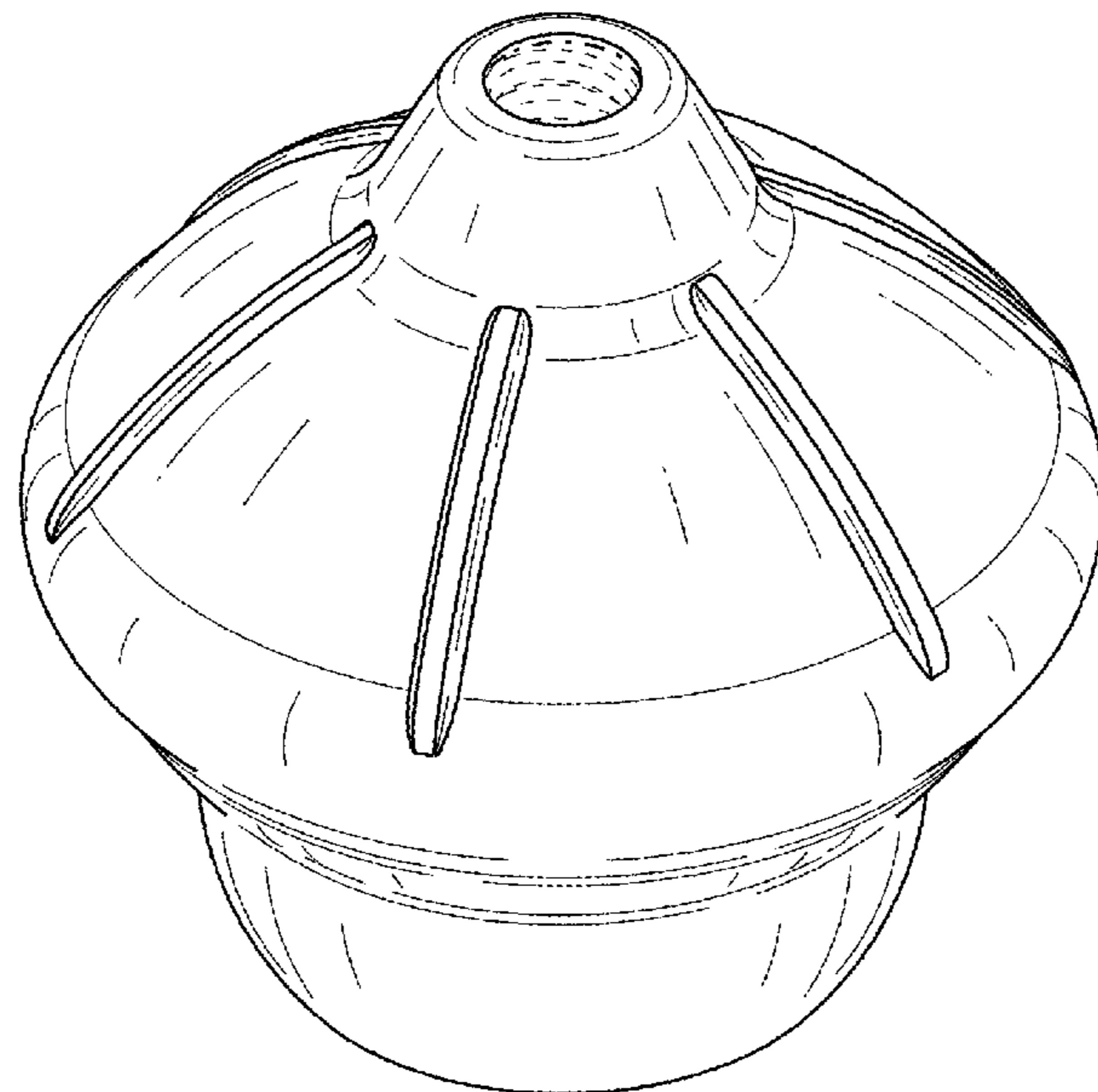
(57) **CLAIM**

The ornamental design for a plunger head, as shown and described.

DESCRIPTION

FIG. 1 is a perspective view of a plunger head showing my new design;
FIG. 2 is a front elevation view thereof, the rear elevation view being a mirror image of the front elevation view;
FIG. 3 is a right elevation view thereof, the left elevation view being mirror image of the right elevation view;
FIG. 4 is a top plan view thereof; and,
FIG. 5 is a bottom plan view thereof.
The broken lines shown in FIGS. 1, 4 and 5 of the drawings are included for the purpose of illustrating a portion of the plunger head that form no part of the claimed design.

1 Claim, 4 Drawing Sheets



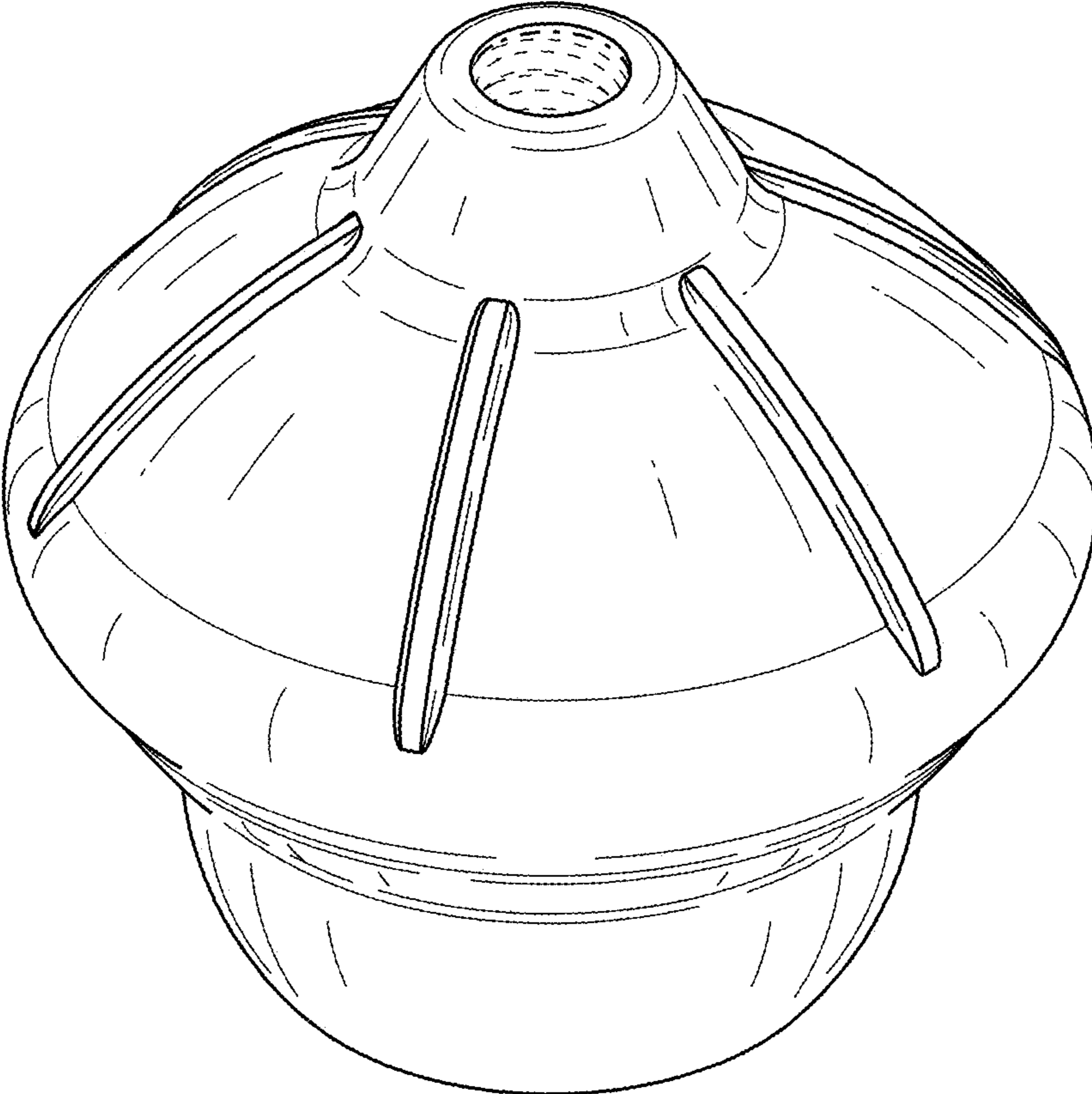


FIG. 1

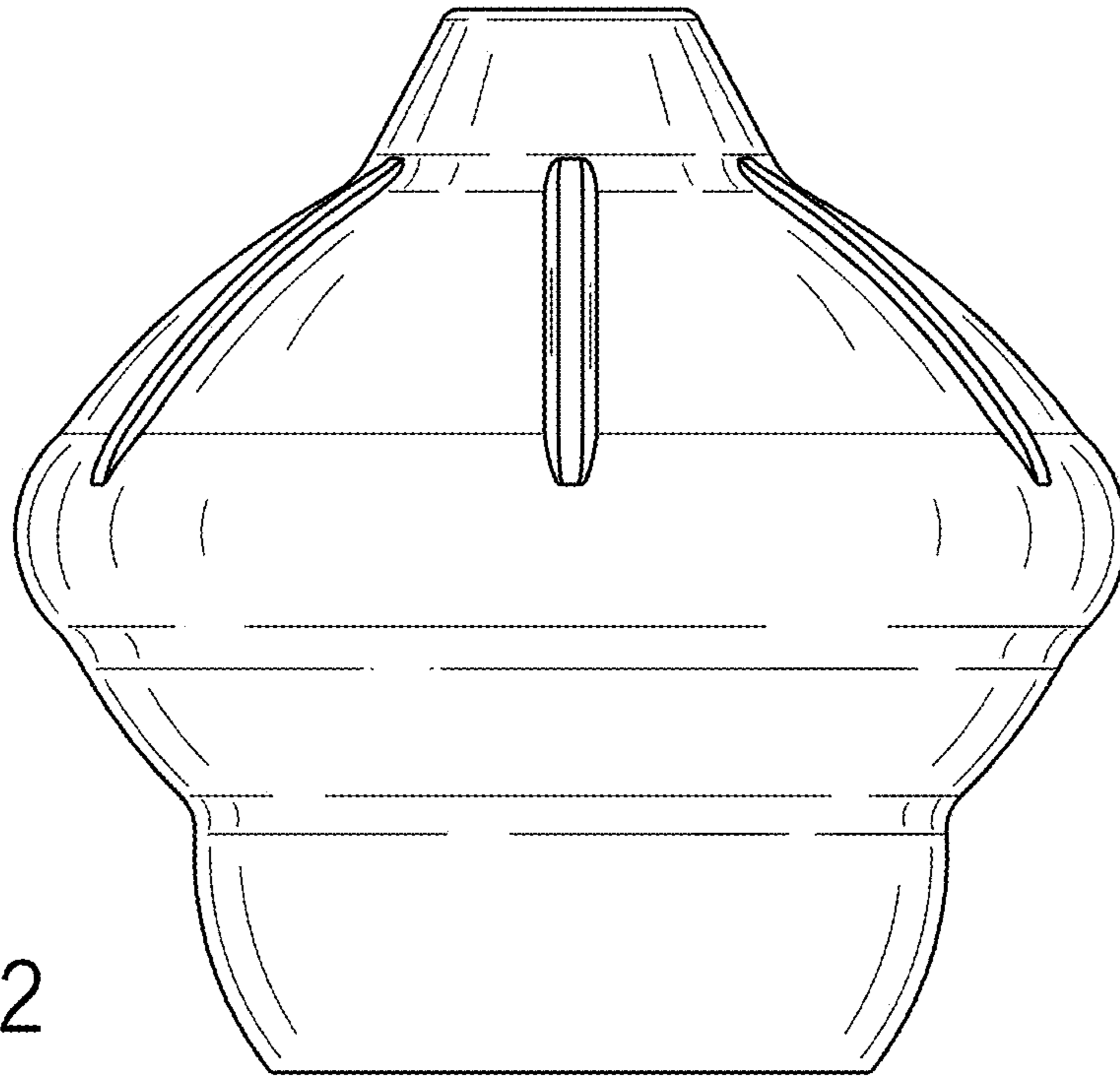


FIG. 2

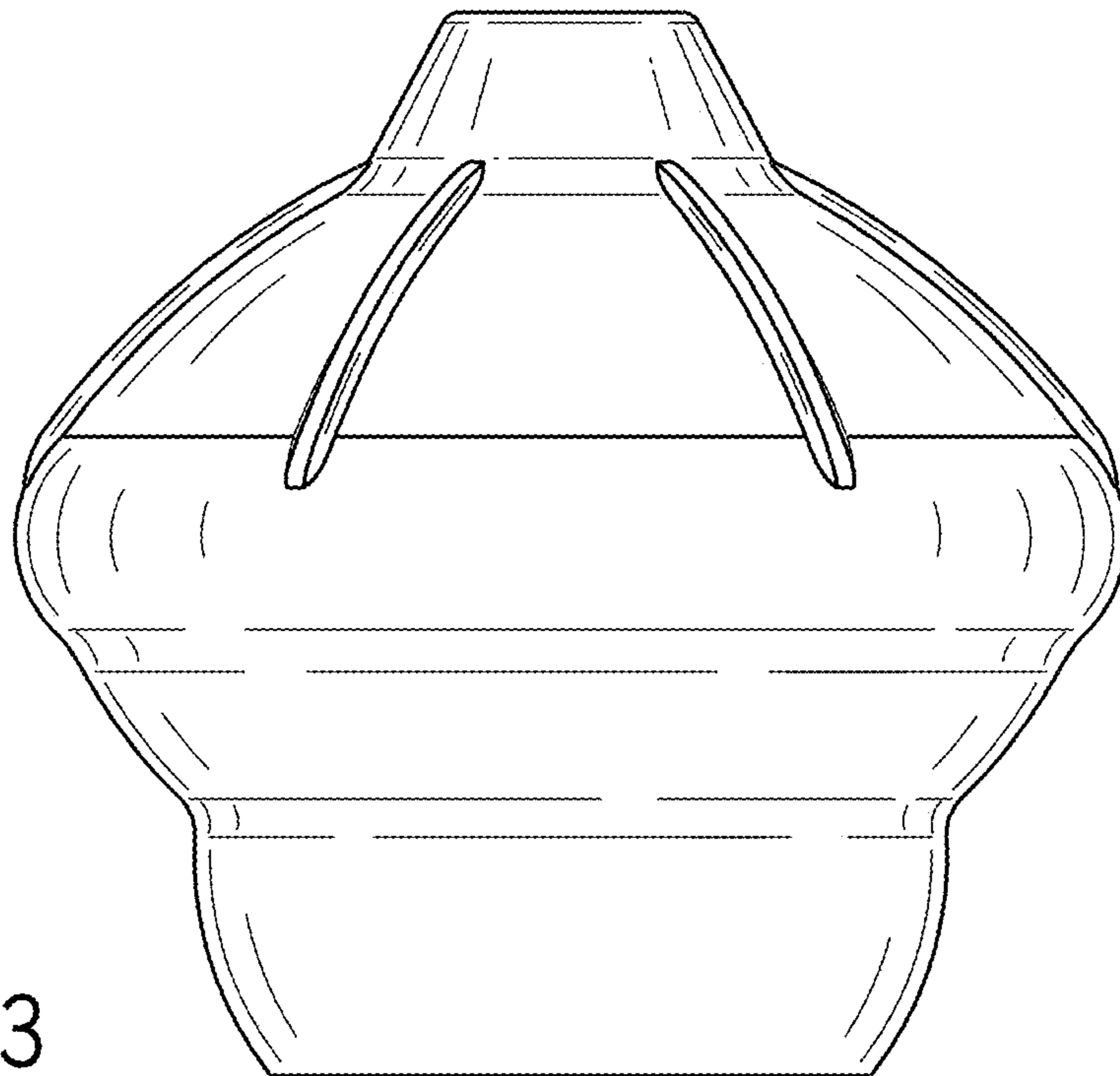


FIG. 3

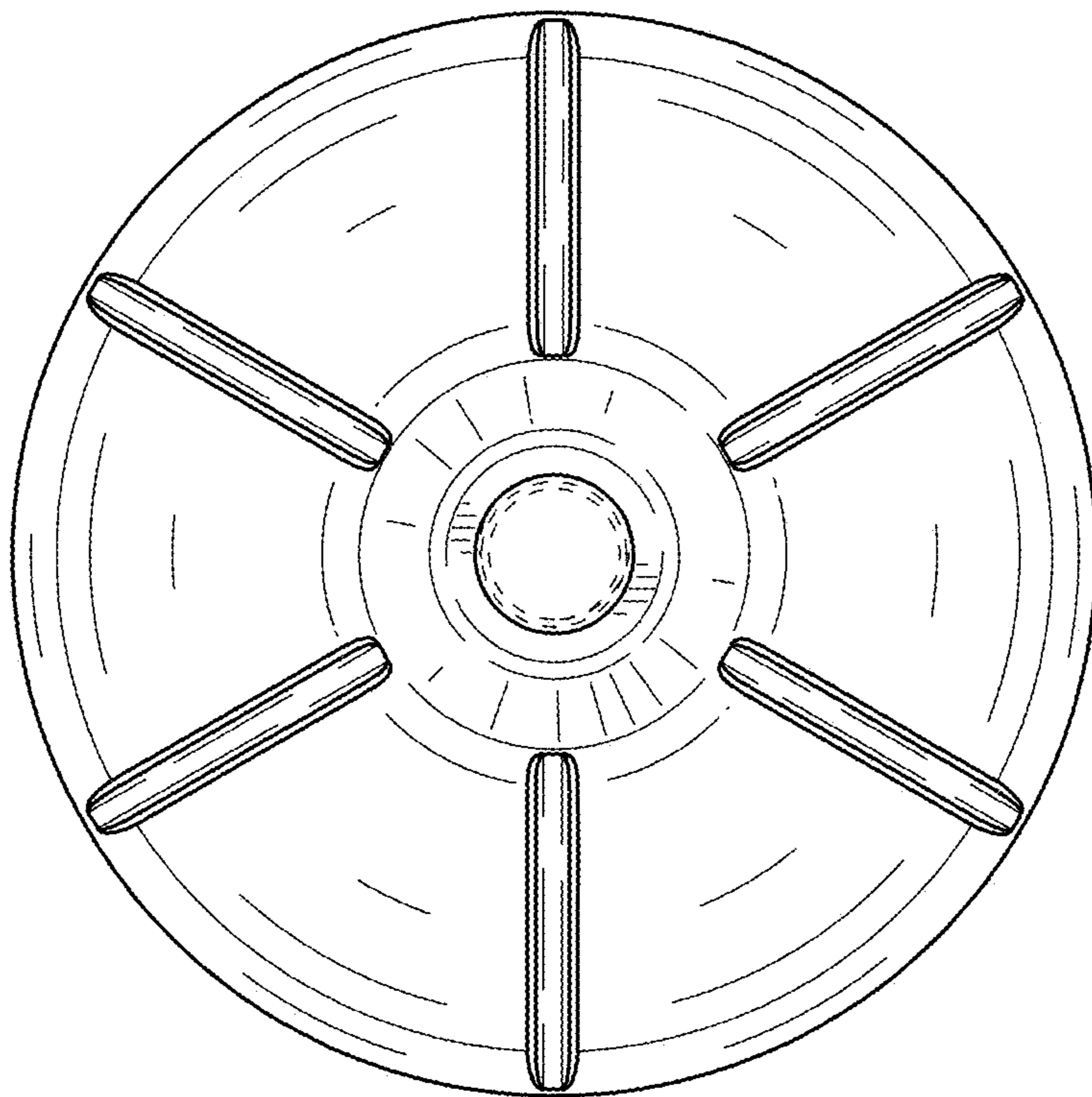


FIG. 4

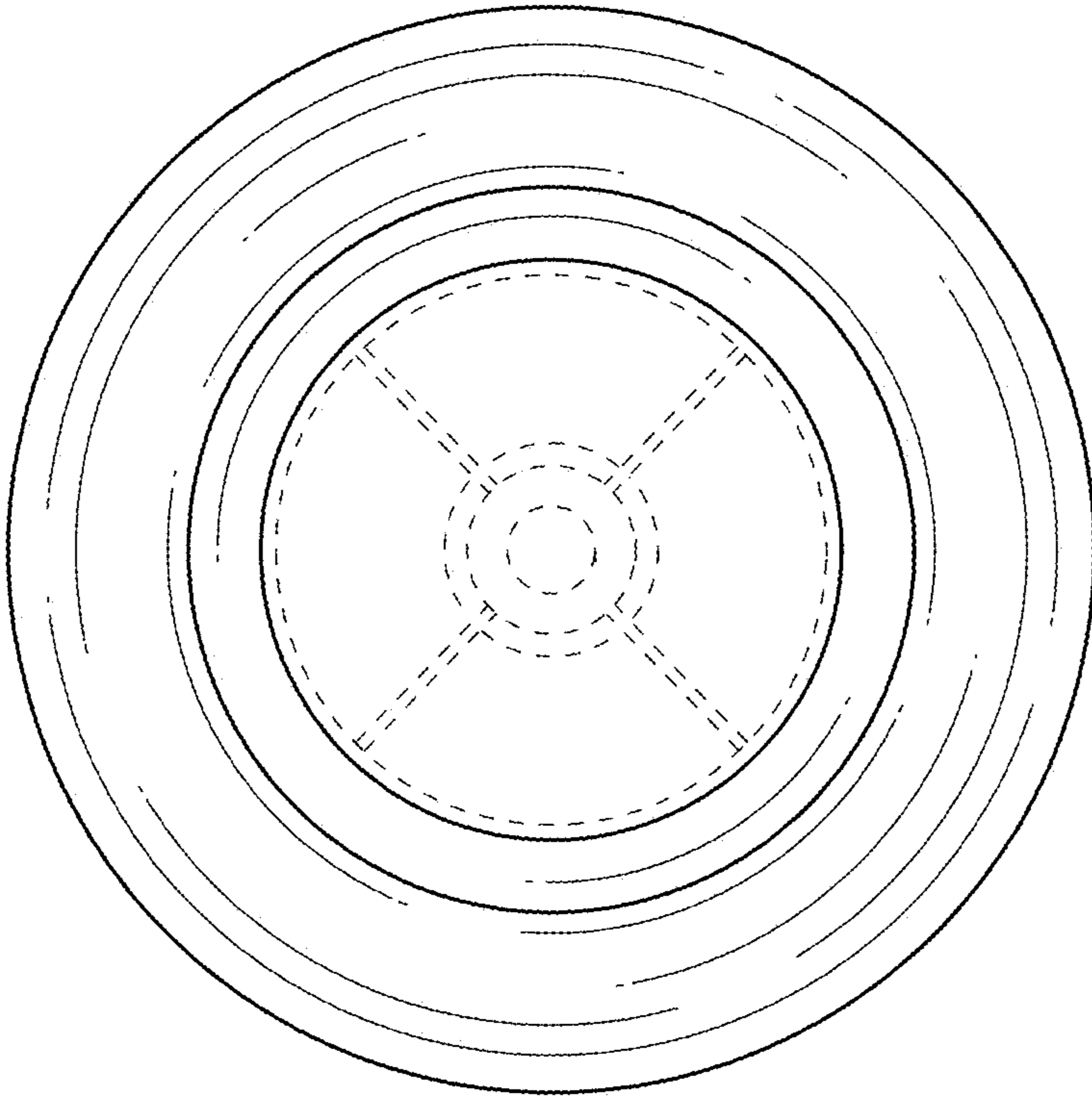


FIG. 5