



US00D959068S

(12) **United States Design Patent**
Xue

(10) **Patent No.:** **US D959,068 S**

(45) **Date of Patent:** **** Jul. 26, 2022**

(54) **CLOTHES DRYER**

(71) Applicant: **Guangdong Weipu Electric Appliances Co., Ltd, Dongguan (CN)**

(72) Inventor: **Wang Xue, Dongguan (CN)**

(**) Term: **15 Years**

(21) Appl. No.: **29/765,612**

(22) Filed: **Jan. 10, 2021**

(51) **LOC (13) Cl.** **15-05**

(52) **U.S. Cl.**
USPC **D32/8**

(58) **Field of Classification Search**
USPC D32/1, 5, 6, 8, 10-13, 25, 28, 35;
D21/526

CPC D06F 25/00; D06F 29/00; D06F 33/00;
D06F 34/08; D06F 35/00; D06F 37/24;
D06F 37/304; D06F 39/00; D06F 39/001;
D06F 41/00; D06F 49/00; D06F 95/00;
D06F 1/00; D06F 1/02; G05B 2219/2633

See application file for complete search history.

(56) **References Cited**

U.S. PATENT DOCUMENTS

D46,365 S *	9/1914	Horlick	D7/323
D129,283 S *	9/1941	Conterman	D32/5
D152,921 S *	3/1949	Shapter	D32/8
D170,350 S *	9/1953	Bourner	D32/8
D204,308 S *	4/1966	Hugo et al.	D32/6
D292,630 S *	11/1987	Nagai	D32/8
D358,823 S *	5/1995	Grant	D15/83
D519,691 S *	4/2006	Kim	D32/6
D548,900 S *	8/2007	Ritterling	D32/6
D551,402 S *	9/2007	Jung	D32/8
D557,466 S *	12/2007	Suh	D32/6
D571,510 S *	6/2008	Cadamuro	D32/6
D571,511 S *	6/2008	Cadamuro	D32/8
D583,114 S *	12/2008	Jeon	D32/8
D589,216 S *	3/2009	Park	D32/6
D617,960 S *	6/2010	Bohm	D32/6

D628,755 S *	12/2010	Helot	D32/5
D706,999 S *	6/2014	Cho	D32/6
D764,120 S *	8/2016	Choi	D32/6

(Continued)

FOREIGN PATENT DOCUMENTS

CA	19236	*	8/1953
CN	302054538	*	8/2012

(Continued)

OTHER PUBLICATIONS

Clothes Dryer Buying Guide, announced in YouTube on May 16, 2016 [online], [site visited Mar. 10, 2022, Available from the internet URL: Clothes Dryer Buying Guide | The Good Guys (Year: 2016).*

(Continued)

Primary Examiner — Amy C Wierenga
Assistant Examiner — Jennylou M Binas

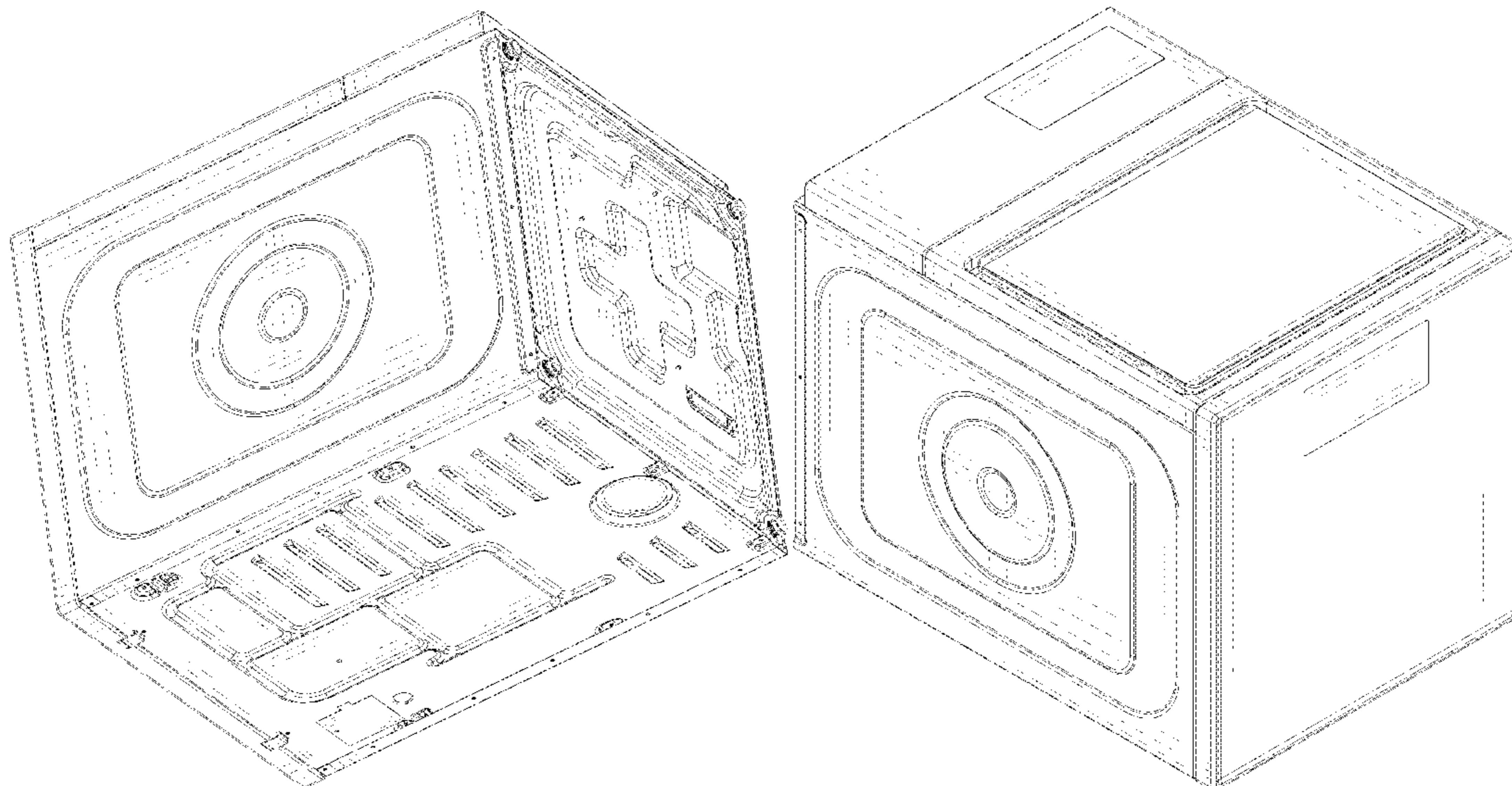
(57) **CLAIM**

The ornamental design for a clothes dryer, as shown and described.

DESCRIPTION

FIG. 1 is a perspective view of a clothes dryer showing my new design;
FIG. 2 is another perspective view of a clothes dryer showing my new design;
FIG. 3 is a front elevational view thereof;
FIG. 4 is a rear elevational view thereof;
FIG. 5 is a left side view thereof;
FIG. 6 is a right side view thereof;
FIG. 7 is a top plan view thereof; and,
FIG. 8 is a bottom plan view thereof.
The broken lines in the figures depict portions of the clothes dryer that form no part of the claimed design.

1 Claim, 8 Drawing Sheets



(56)

References Cited

U.S. PATENT DOCUMENTS

D775,438	S	*	12/2016	Kang	D32/6
D836,268	S	*	12/2018	Ha	D32/6
D839,506	S	*	1/2019	Ha	D32/6
D871,690	S	*	12/2019	Lee	D32/6
D909,694	S	*	2/2021	Ayers	D32/6
2013/0014546	A1	*	1/2013	Kobayashi	D06F 39/12 68/212
2018/0291551	A1	*	10/2018	Lv	D06F 34/28

FOREIGN PATENT DOCUMENTS

CN	304408156	*	12/2017
CN	306249486	*	12/2020
GB	8209920000-1000	*	8/2020
HK	2118786-0001	*	12/2021
KR	301098809.0000	*	3/2021

OTHER PUBLICATIONS

GE Appliances White Electric Dryer, available in americanfreight.com, customer review oldest date Sep. 29, 2015 [online], [site

visited Mar. 10, 2022], Available from the internet URL: <https://www.americanfreight.com/br/pdp/ge-appliances-dskp333ecww-3-6-cu-ft-white-electric-dryer/10457> (Year: 2015).*

8 Best Clothes Dryers of 2022, available in website.com, announced Dec. 2, 2021 [online], [site visited Mar. 10, 2022], Internet URL: <https://www.goodhousekeeping.com/appliances/dryer-reviews/g3298/best-laundry-dryers/> (Year: 2021).*

Kenmore Front Load Electric Dryer with Steam Technology, available in Amazon.com, date first available Jul. 13, 2020 [online], [site visited Mar. 10, 2022], Available from the internet URL: https://www.amazon.com/Kenmore-61652-Cubic-Electric-Technology/dp/B08CVN9SF4/ref=sr_1_8 (Year: 2020).*

Samsung Electric Dryer with Sensor Dry, available in bestbuy.com, customer review oldest date Apr. 2021 [online], [site visited Mar. 10, 2022], Available from the internet URL: <https://www.bestbuy.com/site/samsung-7-2-cu-ft-electric-dryer-with-sensor-dry-and-8-drying-cycles-white/6447516.p?skuId=6447516> (Year: 2021).*

Whirlpool Compact Stackable Top Load Dryer, available in lowes.com, customer review oldest date Oct. 16, 2011 [online], [site visited Mar. 10, 2022], Available from the internet URL: <https://www.lowes.com/pd/Whirlpool-3-4-cu-ft-Stackable-Portable-Electric-Dryer-White/3236620> (Year: 2011).*

* cited by examiner

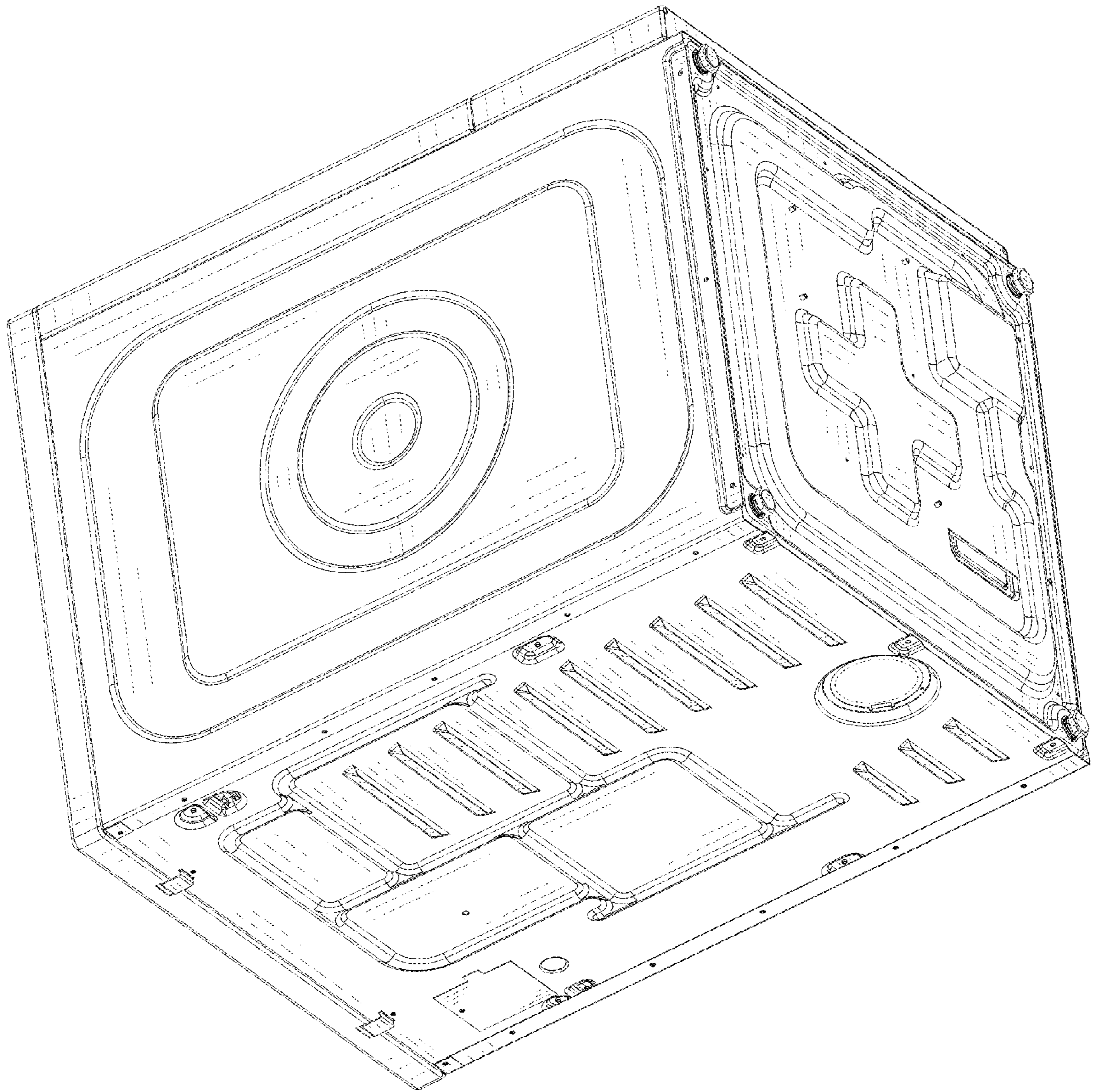


FIG. 1

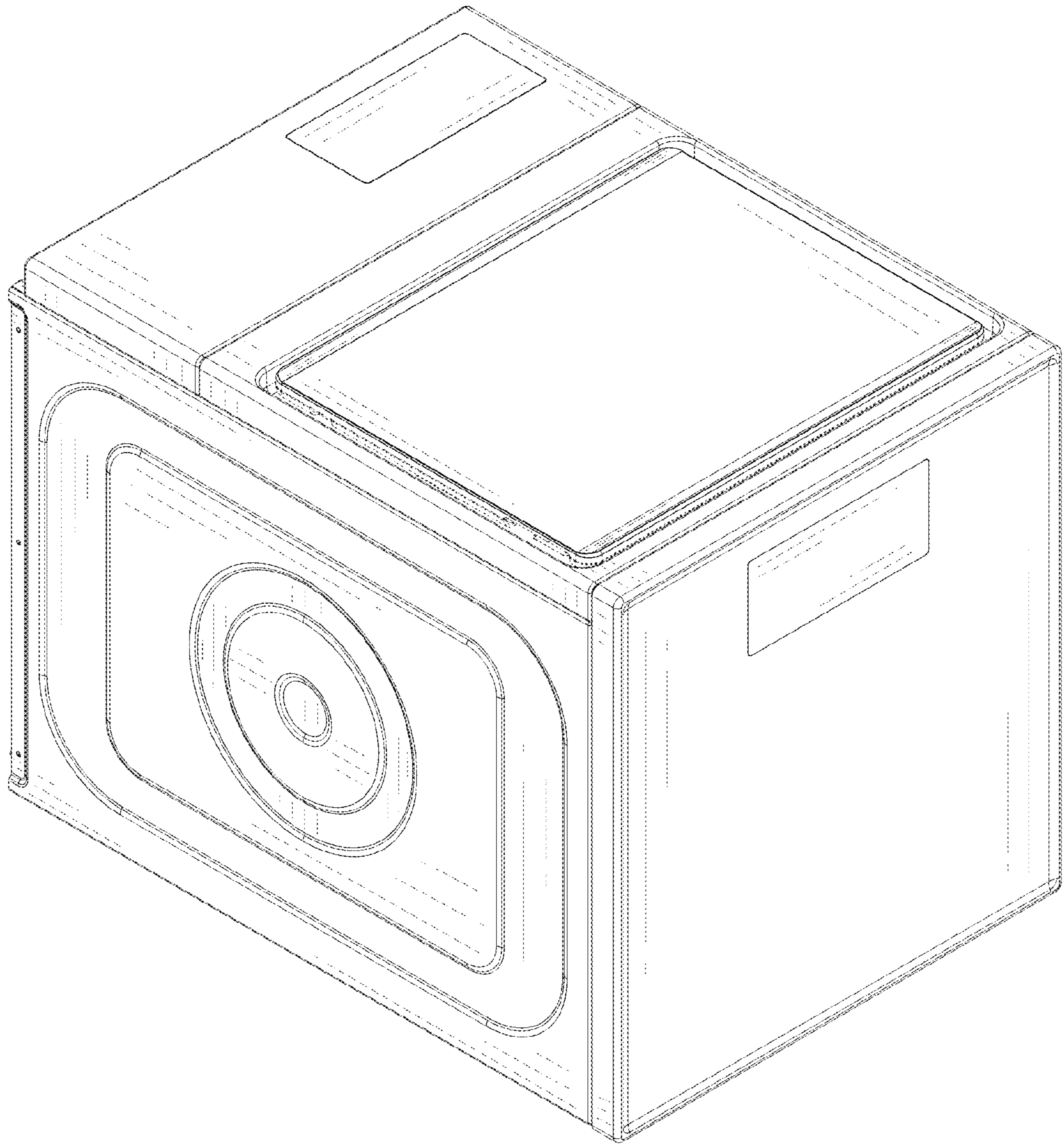


FIG. 2

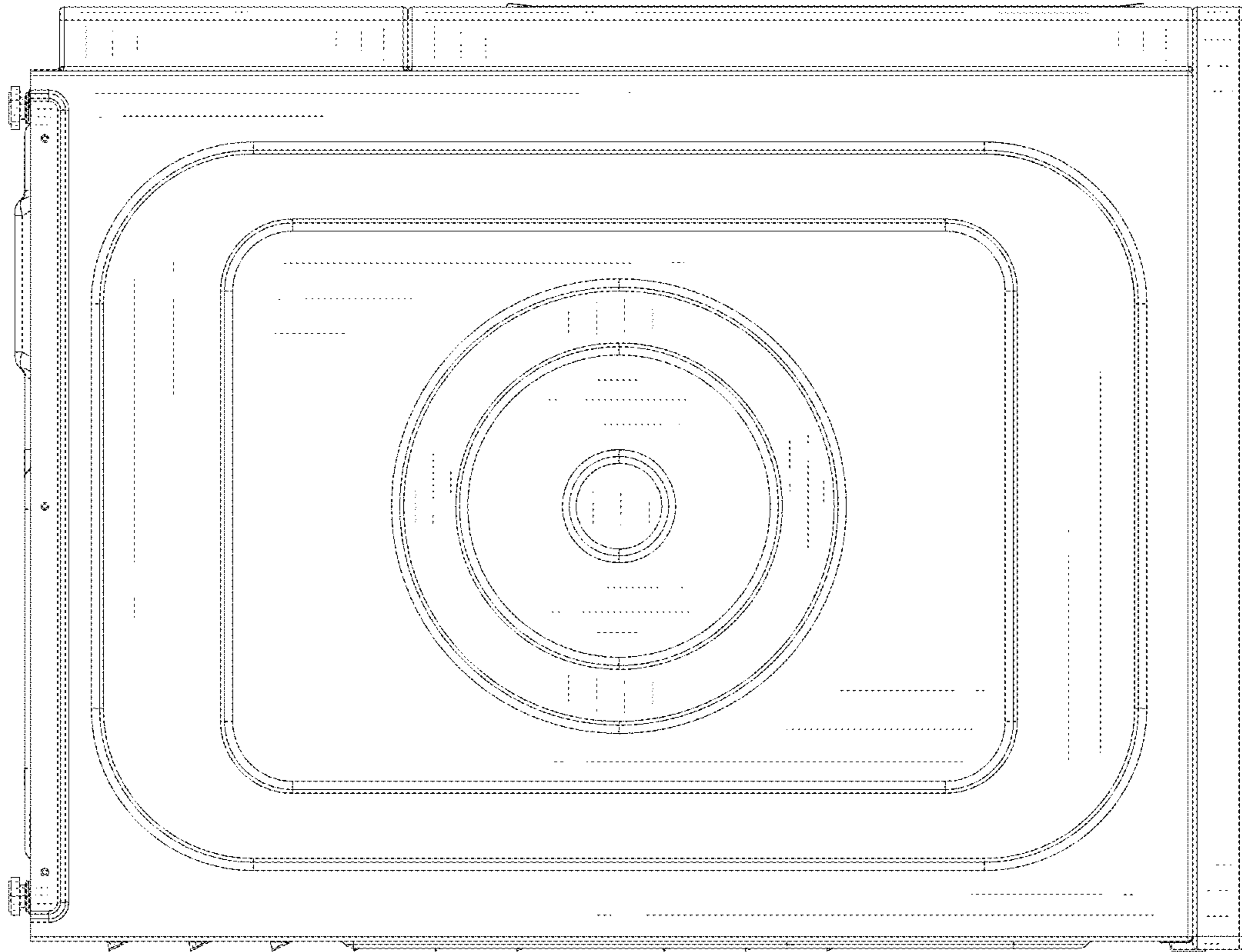


FIG. 3

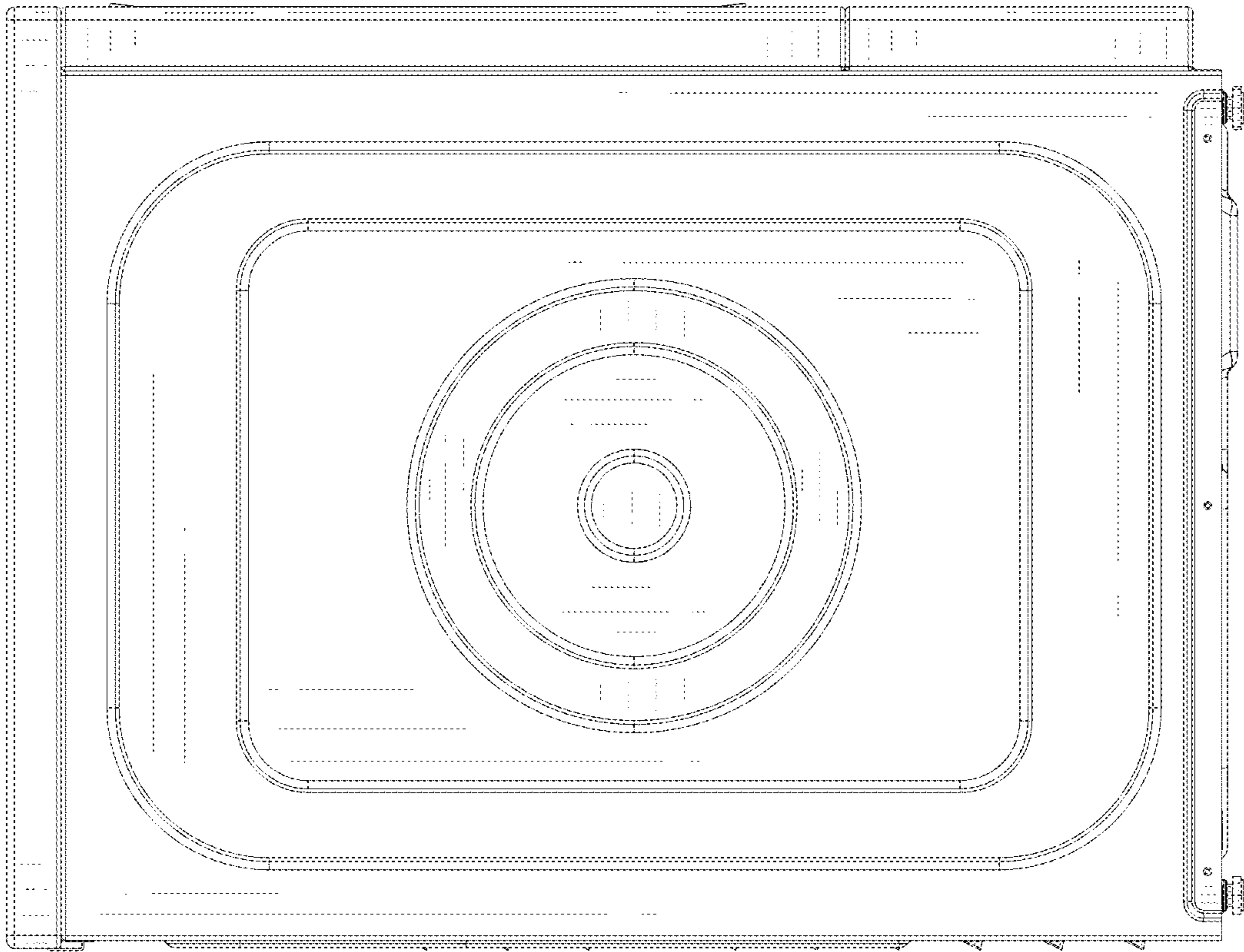


FIG. 4

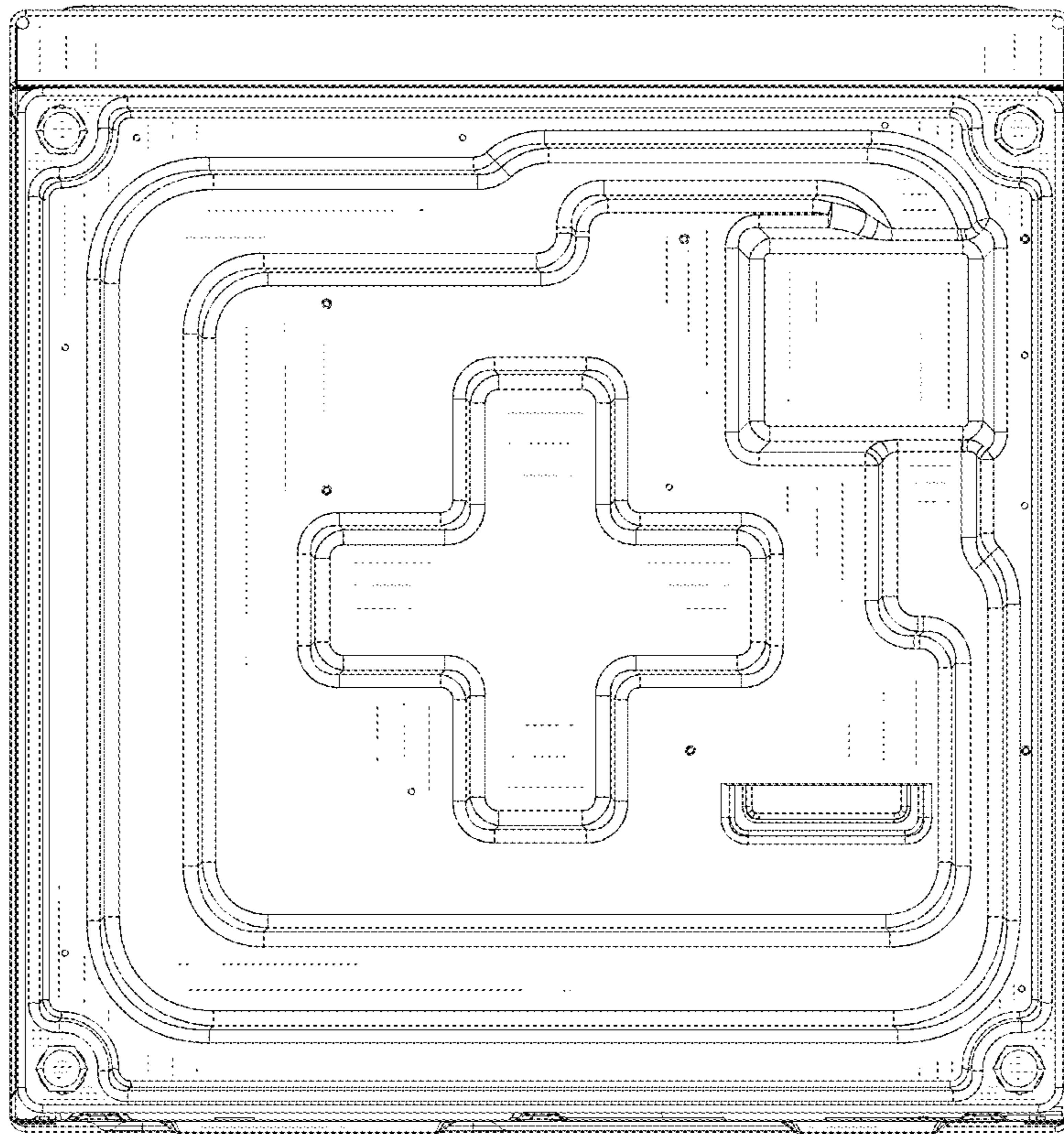


FIG. 5

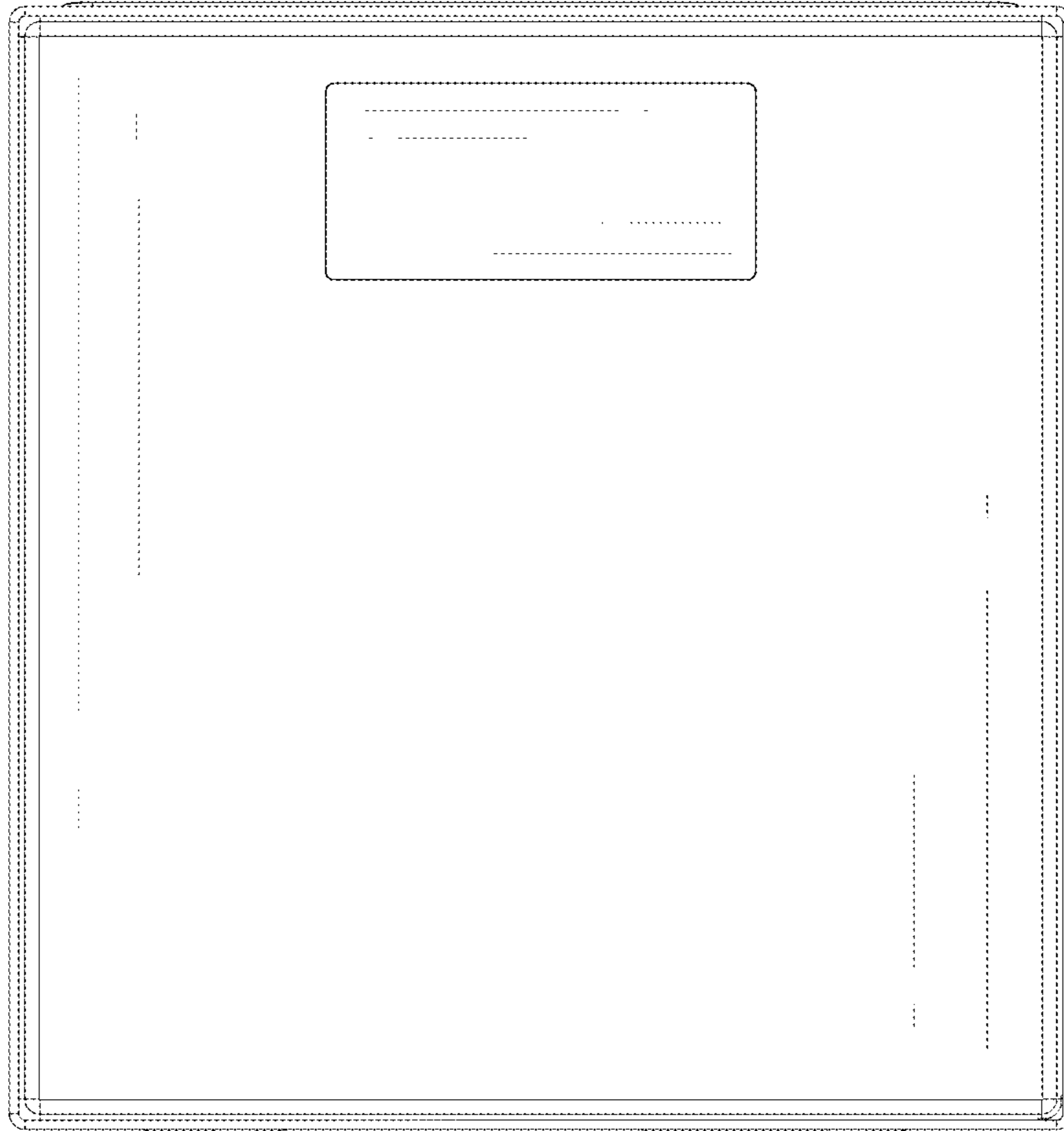


FIG. 6

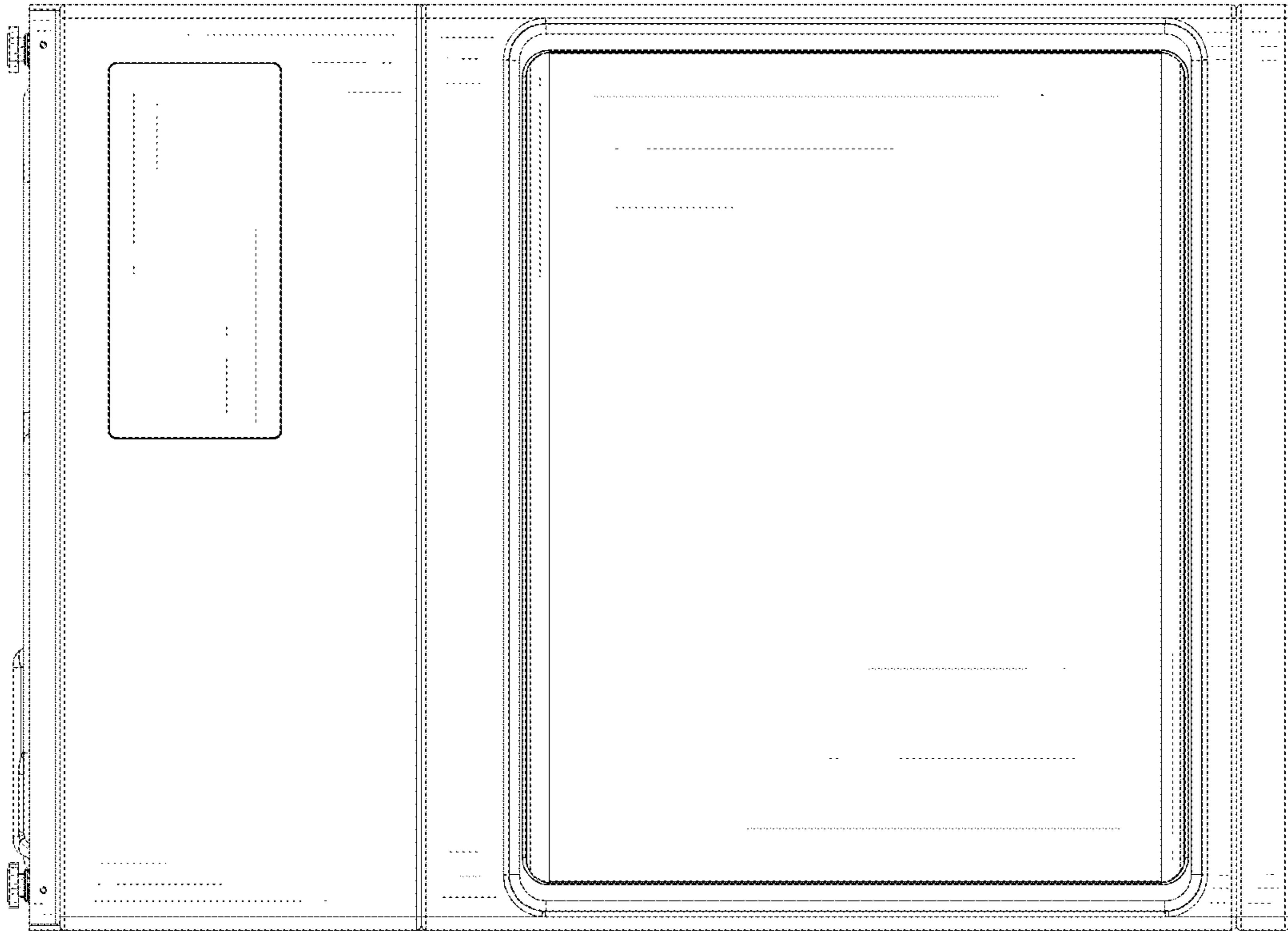


FIG. 7

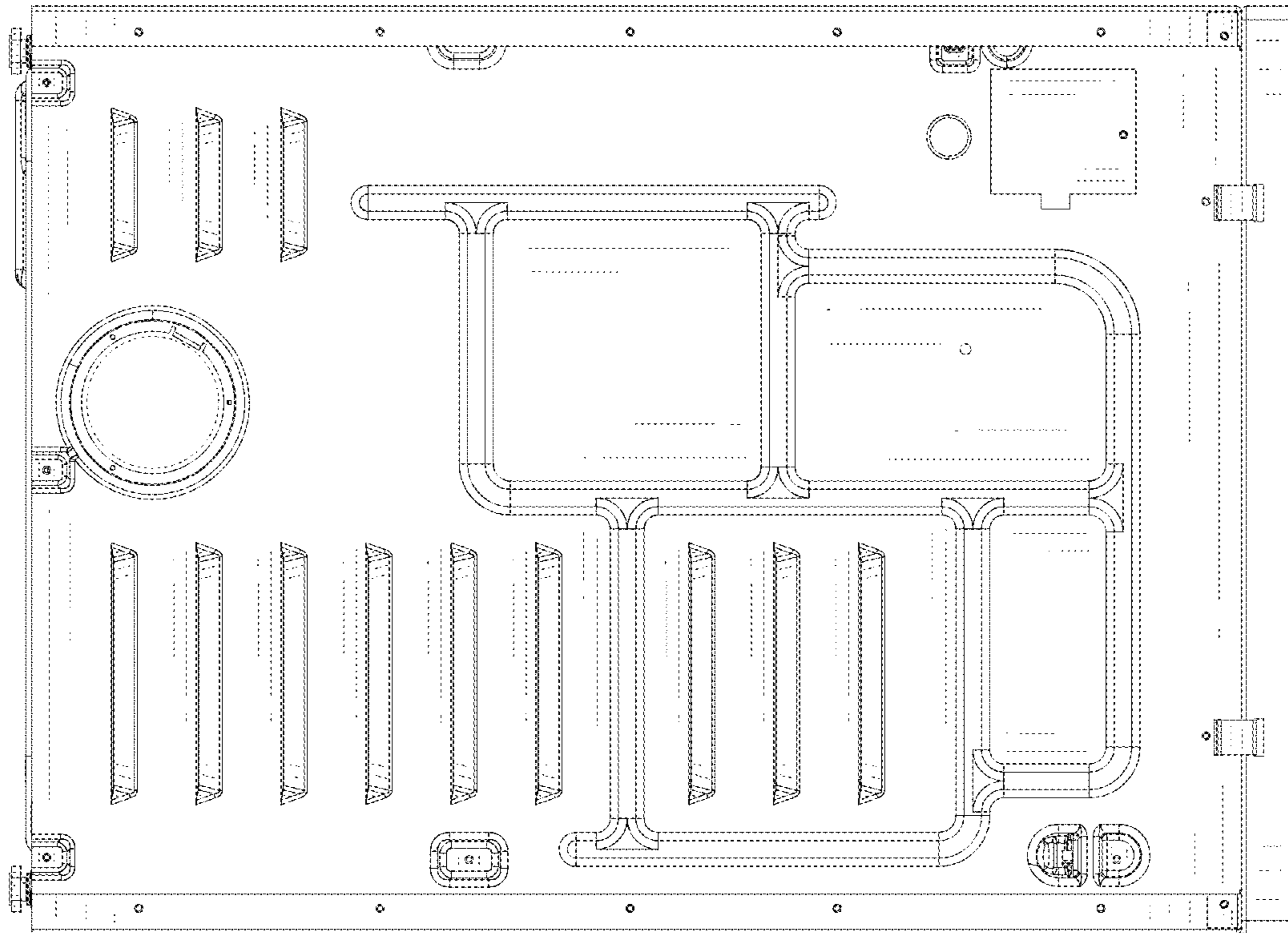


FIG. 8