



US00D959066S

(12) **United States Design Patent** (10) **Patent No.:** **US D959,066 S**  
**Kangas et al.** (45) **Date of Patent:** **\*\* Jul. 26, 2022**

(54) **LIGHT FOR DISHWASHER**

D256,663 S 9/1980 Gilb  
4,447,030 A 5/1984 Nattel  
4,908,915 A 3/1990 Ruggles et al.  
(Continued)

(71) Applicant: **WHIRLPOOL CORPORATION**,  
Benton Harbor, MI (US)

FOREIGN PATENT DOCUMENTS

(72) Inventors: **William K. Kangas**, Buchanan, MI  
(US); **Praveen Poojary**, St. Joseph, MI  
(US); **Michael S. Seeley**, South Haven,  
MI (US); **Blayne C. Smith**, St. Joseph,  
MI (US)

DE 102011122897 A1 3/2013  
EP 2366323 A1 9/2011  
(Continued)

(73) Assignee: **Whirlpool Corporation**, Benton  
Harbor, MI (US)

OTHER PUBLICATIONS

(\*\*) Term: **15 Years**

Thermador's Glowing Blue LED Light Dishwasher, available in  
<http://blog.lighttopiaonline.com>, announced Nov. 17, 2013 [online],  
[site visited Apr. 6, 2022], Internet URL: <http://blog.lighttopiaonline.com/lighting-videos/thermadors-glowing-blue-led-light-dishwasher/> (Year: 2013).\*

(21) Appl. No.: **29/706,300**

(22) Filed: **Sep. 19, 2019**

*Primary Examiner* — Amy C Wierenga  
*Assistant Examiner* — Jennylou M Binas  
(74) *Attorney, Agent, or Firm* — McGarry Bair PC

**Related U.S. Application Data**

(62) Division of application No. 29/595,464, filed on Feb.  
28, 2017, now Pat. No. Des. 866,884, which is a  
division of application No. 29/480,485, filed on Jan.  
27, 2014, now Pat. No. Des. 784,633.

(57) **CLAIM**

The ornamental design for a light for dishwasher, as shown  
and described.

(51) **LOC (13) Cl.** ..... **15-05**

(52) **U.S. Cl.**  
USPC ..... **D32/3**

(58) **Field of Classification Search**  
USPC ..... D32/2, 3; D3/318; D6/580, 606;  
D8/349, 354, 356, 381, 394; D12/415;  
D26/60, 72-73  
CPC .... A47L 9/30; A47L 15/0086; A47L 15/4246;  
H01H 2219/062  
See application file for complete search history.

**DESCRIPTION**

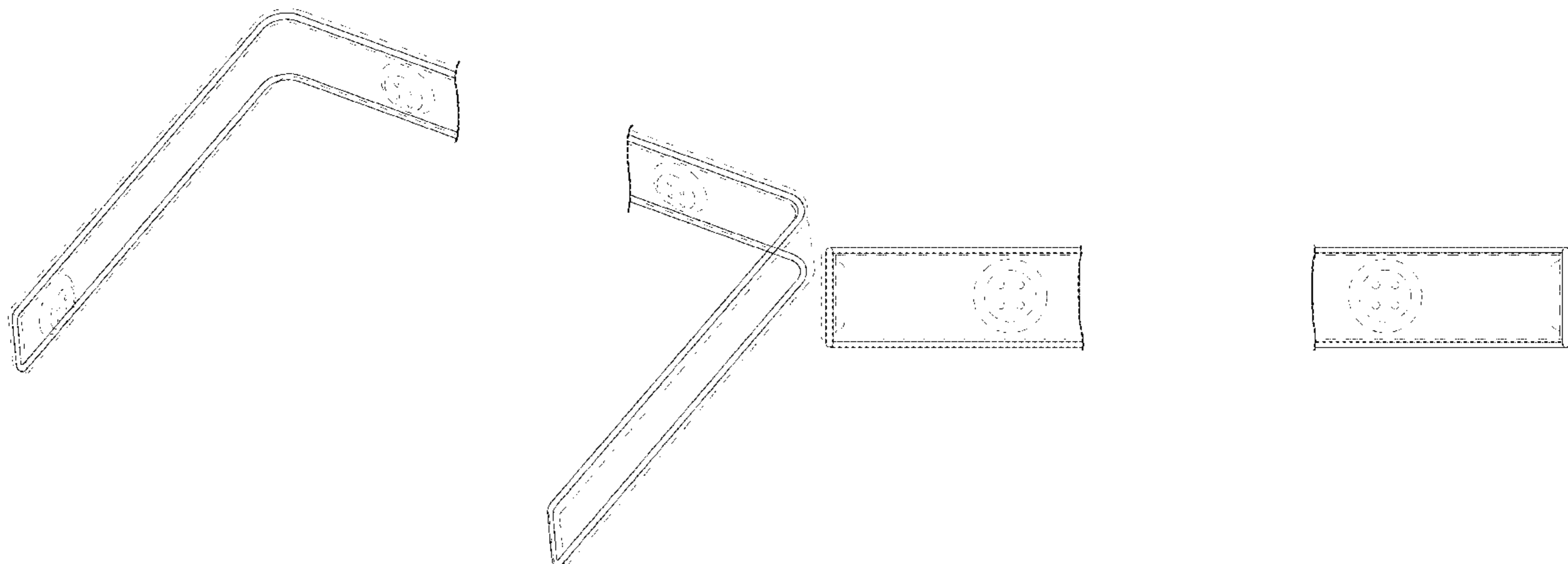
FIG. 1 is a perspective view of a light for dishwasher  
showing our new design, which is illustrated in its environ-  
ment, on a spray manifold in a dishwasher;  
FIG. 2 is a perspective view the light for dishwasher from  
FIG. 1;  
FIG. 3 is a front view thereof;  
FIG. 4 is a right side view thereof, the left side view being  
a mirror image thereof; and,  
FIG. 5 is a top view thereof.  
The broken line showing of the dishwasher in FIG. 1 is for  
the purpose of illustrating environmental structure and forms  
no part of the claimed design. All other broken lines shown  
in the figures depict portions of the light for dishwasher that  
form no part of the claimed design.

(56) **References Cited**

U.S. PATENT DOCUMENTS

D103,557 S \* 3/1937 Adams et al. .... D26/145  
4,208,859 A 6/1980 Brockway

**1 Claim, 3 Drawing Sheets**



(56)

References Cited

U.S. PATENT DOCUMENTS

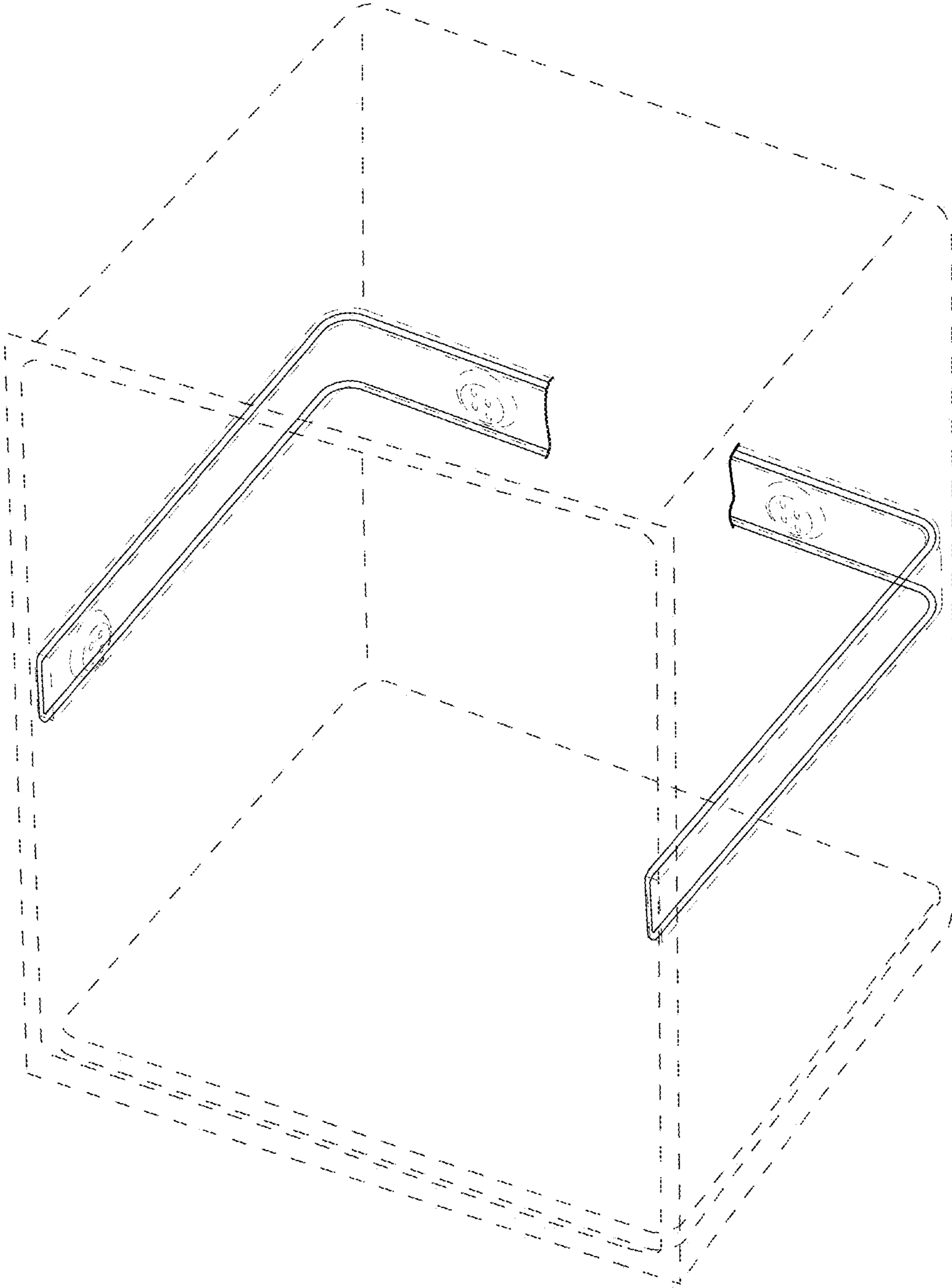
D315,028 S \* 2/1991 Grant ..... D26/24  
 D322,551 S 12/1991 Tosevski  
 D359,944 S 7/1995 Roberts et al.  
 D373,902 S 9/1996 Wang  
 D374,815 S 10/1996 Snow  
 D379,283 S 5/1997 Antinori  
 5,792,312 A 8/1998 Dotterman et al.  
 D399,863 S 10/1998 LaCicero  
 D401,497 S 11/1998 Terrell  
 D409,474 S 5/1999 Chou  
 D429,995 S 8/2000 Lewis  
 D442,063 S 5/2001 Snyder  
 D458,115 S 6/2002 Harms  
 6,513,776 B1 2/2003 Bissett  
 D493,091 S 7/2004 Griggy  
 D511,086 S 11/2005 Craine  
 D523,675 S 6/2006 Schorling  
 D523,735 S 6/2006 Craine  
 7,284,728 B2 10/2007 Connolly  
 D572,510 S 7/2008 Bohler  
 D592,487 S 5/2009 Tedesco et al.  
 7,578,303 B2 8/2009 Daume et al.  
 D599,193 S 9/2009 Meyer et al.  
 D615,848 S 5/2010 Prichard et al.  
 D649,863 S 12/2011 Meyer  
 D650,935 S 12/2011 Beghelli  
 D654,350 S 2/2012 Preda

D667,718 S 9/2012 Preda  
 8,297,768 B2 10/2012 Kara et al.  
 8,382,304 B2 2/2013 Wegener et al.  
 D696,439 S \* 12/2013 He ..... D26/24  
 D696,801 S \* 12/2013 He ..... D26/24  
 D700,379 S \* 2/2014 Sid ..... D26/24  
 D712,240 S 9/2014 Bracegirdle  
 D714,624 S 10/2014 Cayouette  
 D715,466 S \* 10/2014 Wang ..... D26/24  
 D729,043 S 5/2015 Poppell  
 D729,423 S \* 5/2015 Noh ..... D26/24  
 D742,564 S \* 11/2015 Walterscheid ..... D26/24  
 9,445,706 B2 \* 9/2016 Kangas ..... A47L 15/4219  
 D784,633 S \* 4/2017 Kangas ..... D32/3  
 D866,884 S \* 11/2019 Kangas ..... D32/3  
 D895,176 S \* 9/2020 Broom ..... D26/24  
 D906,561 S \* 12/2020 Velez ..... D26/24  
 2007/0090949 A1 4/2007 Baumgartner  
 2009/0044846 A1 2/2009 Rosenbauer et al.  
 2015/0201823 A1 7/2015 Poojary et al.  
 2015/0208897 A1 7/2015 Kangas et al.

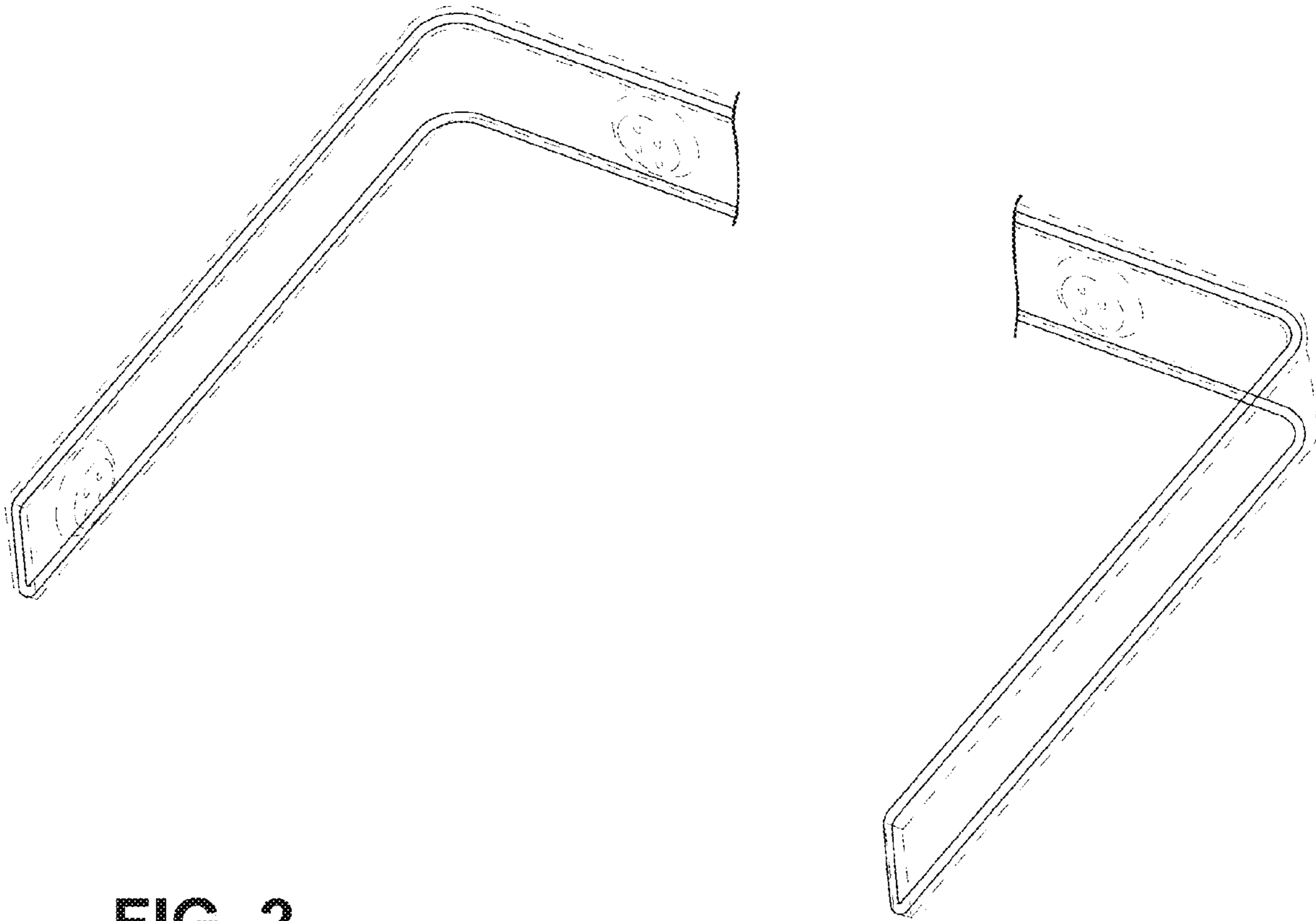
FOREIGN PATENT DOCUMENTS

EP 2543307 A1 1/2013  
 EP 2394557 B1 5/2013  
 EP 2596737 A1 5/2013  
 WO 2013053823 A1 4/2013  
 WO 2013053829 A1 4/2013

\* cited by examiner



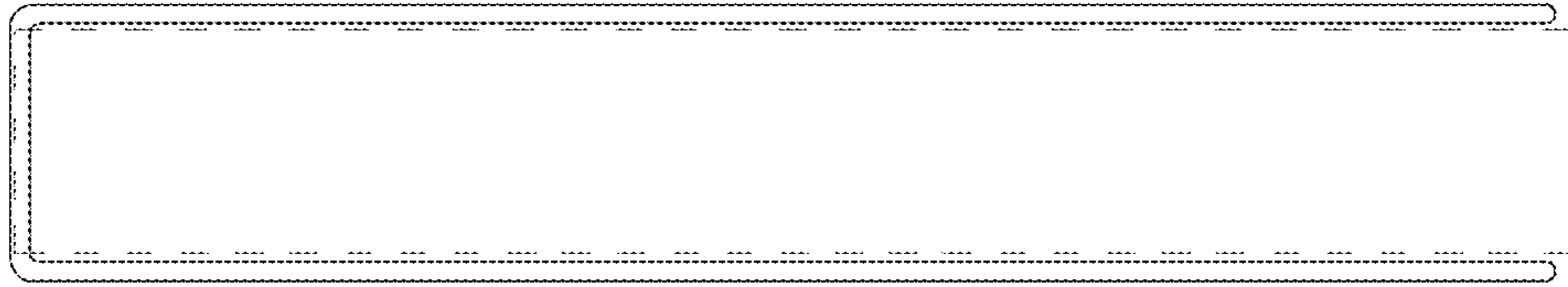
**FIG. 1**



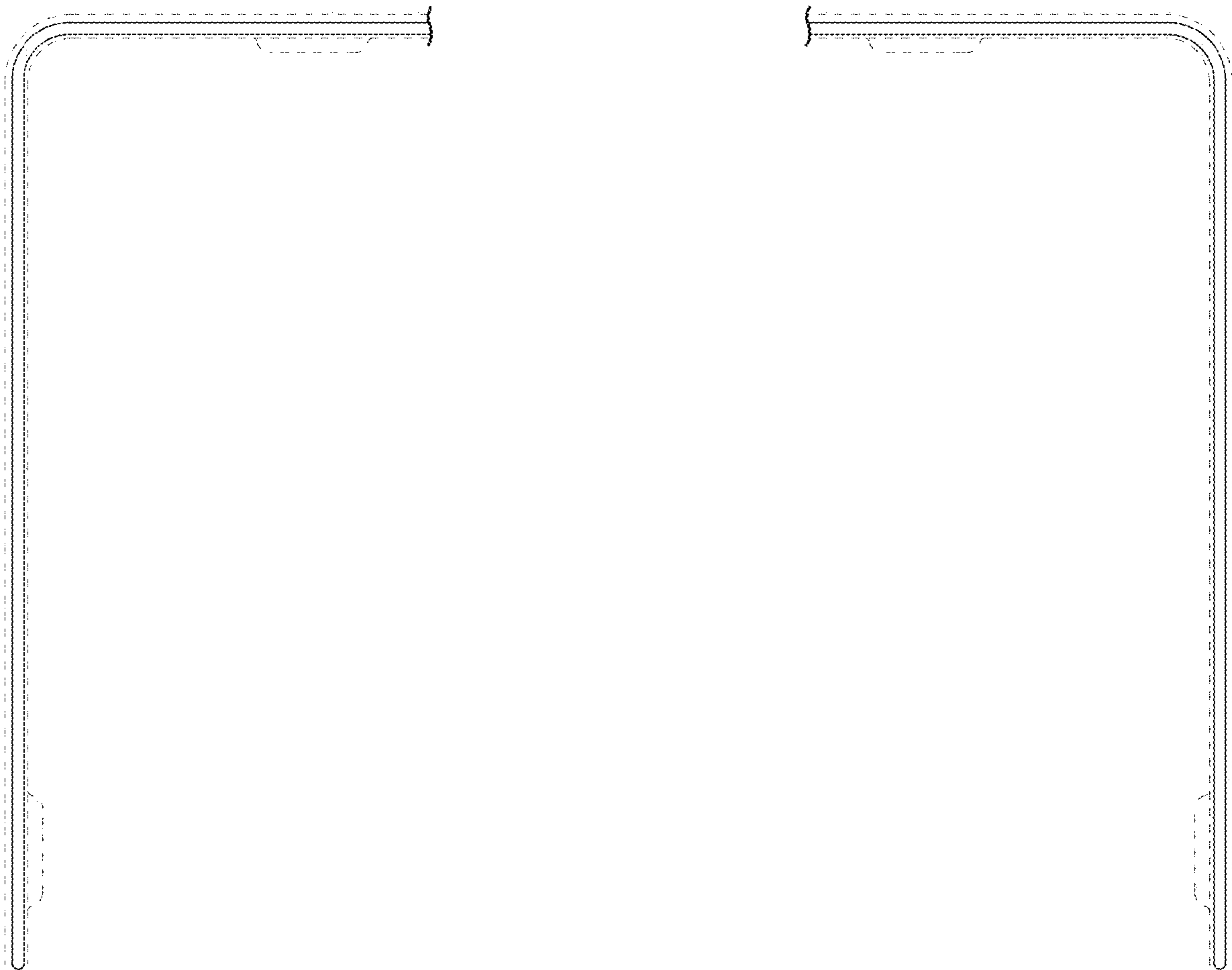
**FIG. 2**



**FIG. 3**



**FIG. 4**



**FIG. 5**