



US00D959060S

(12) **United States Design Patent** (10) **Patent No.:** **US D959,060 S**
Dulude et al. (45) **Date of Patent:** **** Jul. 26, 2022**

(54) **METATARSAL GUARD**

(71) Applicant: **TBL Licensing LLC**, Stratham, NH (US)

(72) Inventors: **Ryan Dulude**, Lee, NH (US); **Stephen Douglas Ammon**, Hampton, NH (US); **Emily V. Miller**, Eliot, ME (US)

(73) Assignee: **TBL Licensing LLC**, Stratham, NH (US)

(**) Term: **15 Years**

(21) Appl. No.: **29/782,218**

(22) Filed: **May 5, 2021**

Related U.S. Application Data

(62) Division of application No. 29/667,268, filed on Oct. 19, 2018, now Pat. No. Des. 921,301.

(51) **LOC (13) Cl.** **24-02**

(52) **U.S. Cl.**
USPC **D29/121.2**

(58) **Field of Classification Search**
USPC D29/113, 114, 115, 120.1, 120.2, 121.1, D29/121.2, 122; D24/192; D2/909, 946
(Continued)

(56) **References Cited**

U.S. PATENT DOCUMENTS

1,184,013 A 5/1916 Pierce
RE24,897 E 11/1960 Schlecht
(Continued)

OTHER PUBLICATIONS

Reebok internal view, Jun. 15, 2018, 4 pages.
(Continued)

Primary Examiner — Kimberly Barnes

(74) *Attorney, Agent, or Firm* — Lerner, David, Littenberg, Krumholz & Mentlik, LLP

(57) **CLAIM**

The ornamental design for a metatarsal guard, as shown and described.

DESCRIPTION

FIG. 1 is a perspective view of a metatarsal guard according to a first embodiment of the design;
 FIG. 2 is a top view of a metatarsal guard of the embodiment of FIG. 1;
 FIG. 3 is a bottom view of a metatarsal guard of the embodiment of FIG. 1;
 FIG. 4 is a right view of a metatarsal guard of the embodiment of FIG. 1;
 FIG. 5 is a left view of a metatarsal guard of the embodiment of FIG. 1;
 FIG. 6 is a front view of a metatarsal guard of the embodiment of FIG. 1;
 FIG. 7 is a rear view of a metatarsal guard of the embodiment of FIG. 1;
 FIG. 8 is a perspective view of a metatarsal guard according to a second embodiment of the design;
 FIG. 9 is a top view of a metatarsal guard of the embodiment of FIG. 8;
 FIG. 10 is a bottom view of a metatarsal guard of the embodiment of FIG. 8;
 FIG. 11 is a right view of a metatarsal guard of the embodiment of FIG. 8;
 FIG. 12 is a left view of a metatarsal guard of the embodiment of FIG. 8;
 FIG. 13 is a front view of a metatarsal guard of the embodiment of FIG. 8;
 FIG. 14 is a rear view of a metatarsal guard of the embodiment of FIG. 8;
 FIG. 15 is a perspective view of a metatarsal guard according to a third embodiment of the design;
 FIG. 16 is a top view of a metatarsal guard of the embodiment of FIG. 15;
 FIG. 17 is a bottom view of a metatarsal guard of the embodiment of FIG. 15;

(Continued)

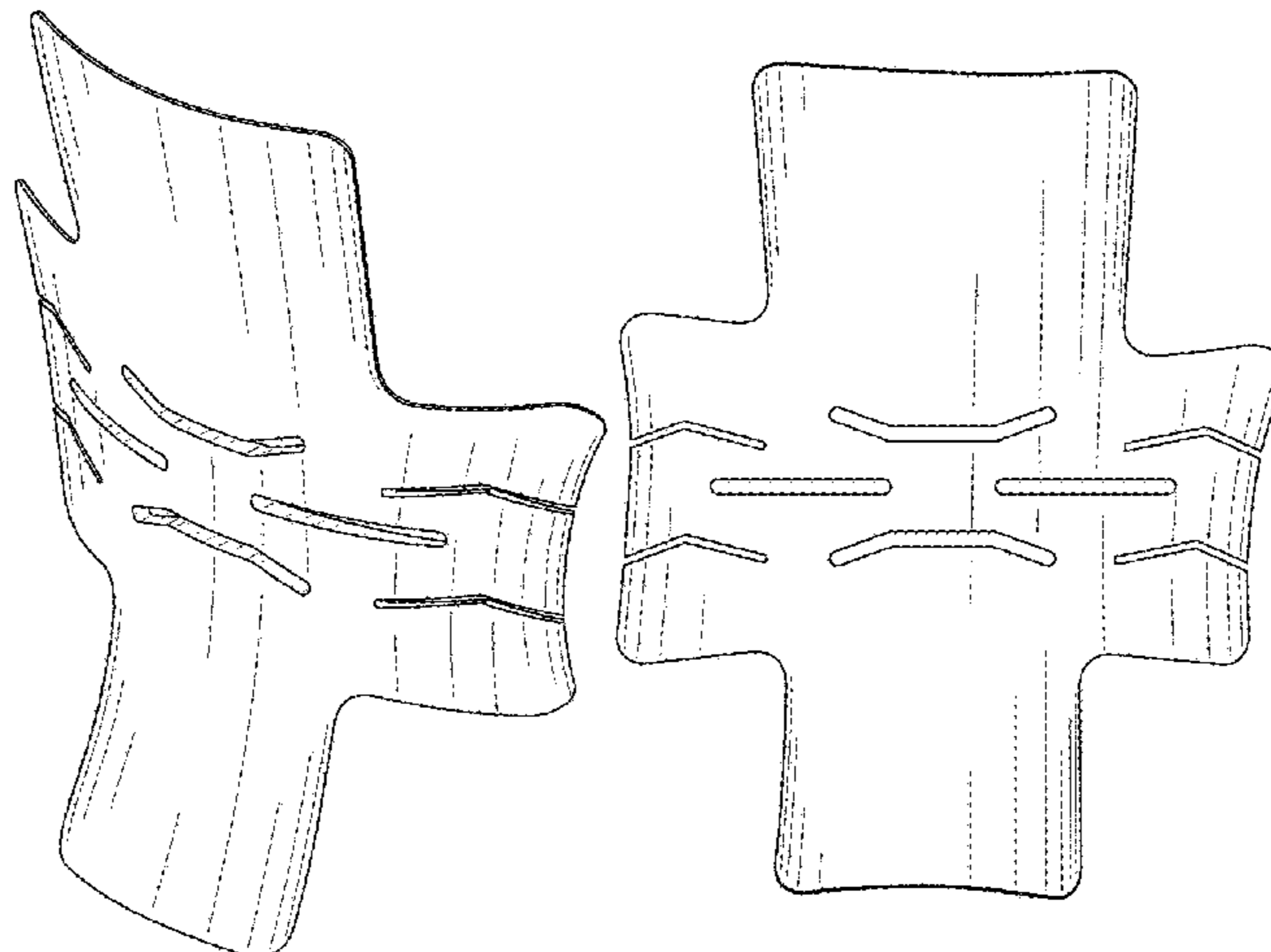


FIG. 18 is a right view of a metatarsal guard of the embodiment of FIG. 15;
 FIG. 19 is a left view of a metatarsal guard of the embodiment of FIG. 15;
 FIG. 20 is a front view of a metatarsal guard of the embodiment of FIG. 15; and,
 FIG. 21 is a rear view of a metatarsal guard of the embodiment of FIG. 15.
 The broken lines are included for illustrating environmental aspects only and form no part of the claimed design.

1 Claim, 9 Drawing Sheets

(58) **Field of Classification Search**

CPC A41D 13/00; A41D 13/06; A41D 13/015;
 A41D 13/0543; A63B 71/08; A63B
 71/1225; A63B 2071/1283; A43C 13/00;
 A43C 13/14; A43B 7/22; A43B 7/32;
 A43B 23/0215; A43B 23/0235; A43B
 23/027; A43B 23/0275; A43B 23/028;
 A43B 23/042; A43B 23/17; A61F 5/14

See application file for complete search history.

(56) **References Cited**

U.S. PATENT DOCUMENTS

3,082,553	A	3/1963	Wilmans
3,206,874	A	9/1965	Ellis
3,465,365	A	9/1969	Jones
4,972,609	A	11/1990	Oh et al.
5,158,767	A	10/1992	Cohen et al.
5,457,898	A	10/1995	Fortin et al.
D379,678	S	6/1997	Rosado
5,680,657	A	10/1997	Valtakari
5,833,639	A	11/1998	Nunes et al.
D418,967	S	1/2000	Stengel
D422,128	S	4/2000	Adler
6,161,313	A	12/2000	Bisson
D437,476	S	2/2001	Cavallin et al.
D438,972	S	3/2001	Darby
D446,000	S	8/2001	Price
D452,070	S	12/2001	Holmes
D453,861	S	2/2002	Yake et al.
6,389,715	B1	5/2002	Krajcir
D464,475	S	10/2002	Isackson et al.
D468,520	S	1/2003	Holmes
6,631,569	B1	10/2003	Scharbius et al.
D507,402	S	7/2005	Laberge
D555,291	S	11/2007	Danzo
7,305,776	B2	12/2007	Hess
7,328,526	B2	2/2008	Peterson
D594,161	S	6/2009	Worden
D608,007	S	1/2010	Arbesman et al.
D614,853	S	5/2010	Warren et al.
D622,057	S	8/2010	Warren et al.
D625,502	S	10/2010	Brambilla
D638,995	S	5/2011	Hanlon
D665,539	S	8/2012	Manalo et al.

D681,831	S	5/2013	Samlaska
D690,497	S	10/2013	Anderson
D696,499	S	12/2013	Lehtinen
8,635,789	B2	1/2014	Spiller et al.
8,661,712	B2	3/2014	Aveni et al.
8,677,654	B2 *	3/2014	Aveni A43B 23/0215 36/88
D714,530	S	10/2014	Scholler et al.
D736,685	S	8/2015	Darwin
D770,586	S	11/2016	Sopel et al.
D783,845	S	4/2017	Peluso
D793,073	S	8/2017	Hardman
9,744,065	B2	8/2017	Walborn et al.
9,788,609	B2	10/2017	James et al.
D805,274	S	12/2017	Maxie
D808,029	S	1/2018	Jimenez et al.
9,867,431	B2	1/2018	Harley
D821,654	S	6/2018	Roby et al.
D838,455	S	1/2019	Strother
10,219,582	B2	3/2019	Spiller et al.
D858,049	S	9/2019	Matsuo
10,512,303	B2	12/2019	Ramsay et al.
D876,018	S	2/2020	Dulude et al.
10,897,932	B2 *	1/2021	Gibson A43B 5/0405
D911,624	S	2/2021	Dulude et al.
D912,332	S	3/2021	Dulude et al.
D913,601	S	3/2021	Dulude et al.
D919,941	S	5/2021	Dulude et al.
D920,587	S	5/2021	Dulude et al.
D921,301	S	6/2021	Dulude et al.
D930,959	S *	9/2021	Gonzales A47L 23/04 D2/946
11,224,263	B2 *	1/2022	Darby A43B 13/188
D943,754	S *	2/2022	Bouma D24/192
D943,981	S *	2/2022	Dulude D2/977
2002/0104174	A1	8/2002	Bartlett et al.
2008/0115387	A1	5/2008	Walworth et al.
2013/0081308	A1	4/2013	Woods
2014/0259773	A1	9/2014	Johnson
2018/0042337	A1	2/2018	Davis
2019/0297988	A1	10/2019	Oden et al.
2019/0350307	A1	11/2019	Bergeron
2019/0387811	A1	12/2019	Gibson et al.
2020/0121028	A1	4/2020	Dulude
2021/0093043	A1 *	4/2021	Gould A43B 23/028
2021/0120915	A1 *	4/2021	Panian A43B 1/0018
2021/0310769	A1 *	10/2021	Roby A63B 71/1225
2021/0368941	A1 *	12/2021	Chen A43B 1/0072

OTHER PUBLICATIONS

Product, Reebok Beamer men's sneaker [online] [retrieved Mar. 21, 2019] Retrieved from the internet: URL:<http://reebokwork.com/338/> Reebok-Beamer-RB1067, date not known, 4 pages.
 Extended European Search Report for Application No. EP19204000. 4, dated Feb. 21, 2020, pp. 1-3.
 Timberland PRO6 Millworks A1VWT Composite Toe External Met Guard Work Boot (on-line), no date available. Retrieved from internet Aug. 7, 2020, URL:thebootdepot.com/mens/timberland-pro-6-millwork-a1vwt-composite-toe-external-met-guard-work-boot/ (1 page).

* cited by examiner

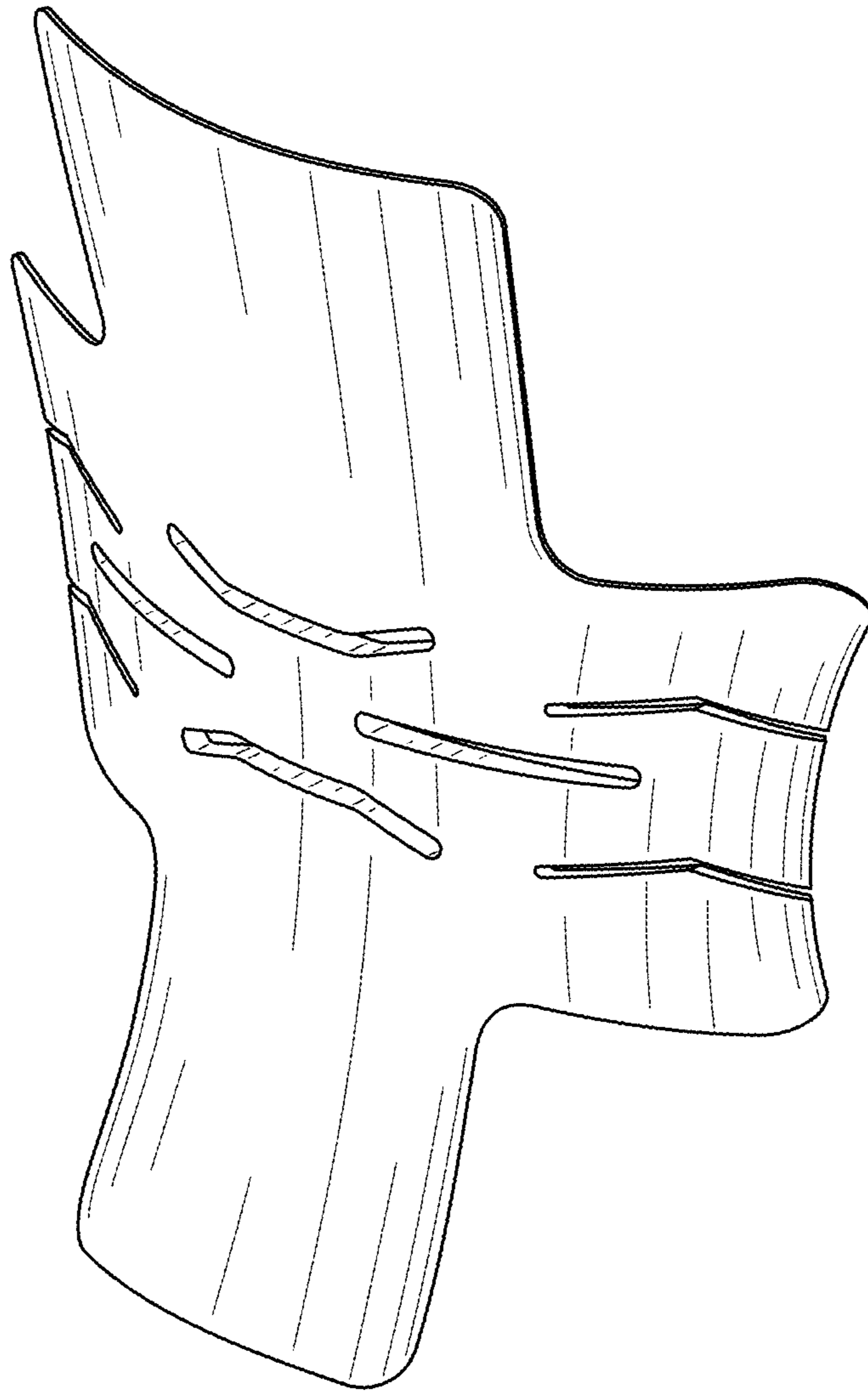


FIG. 1

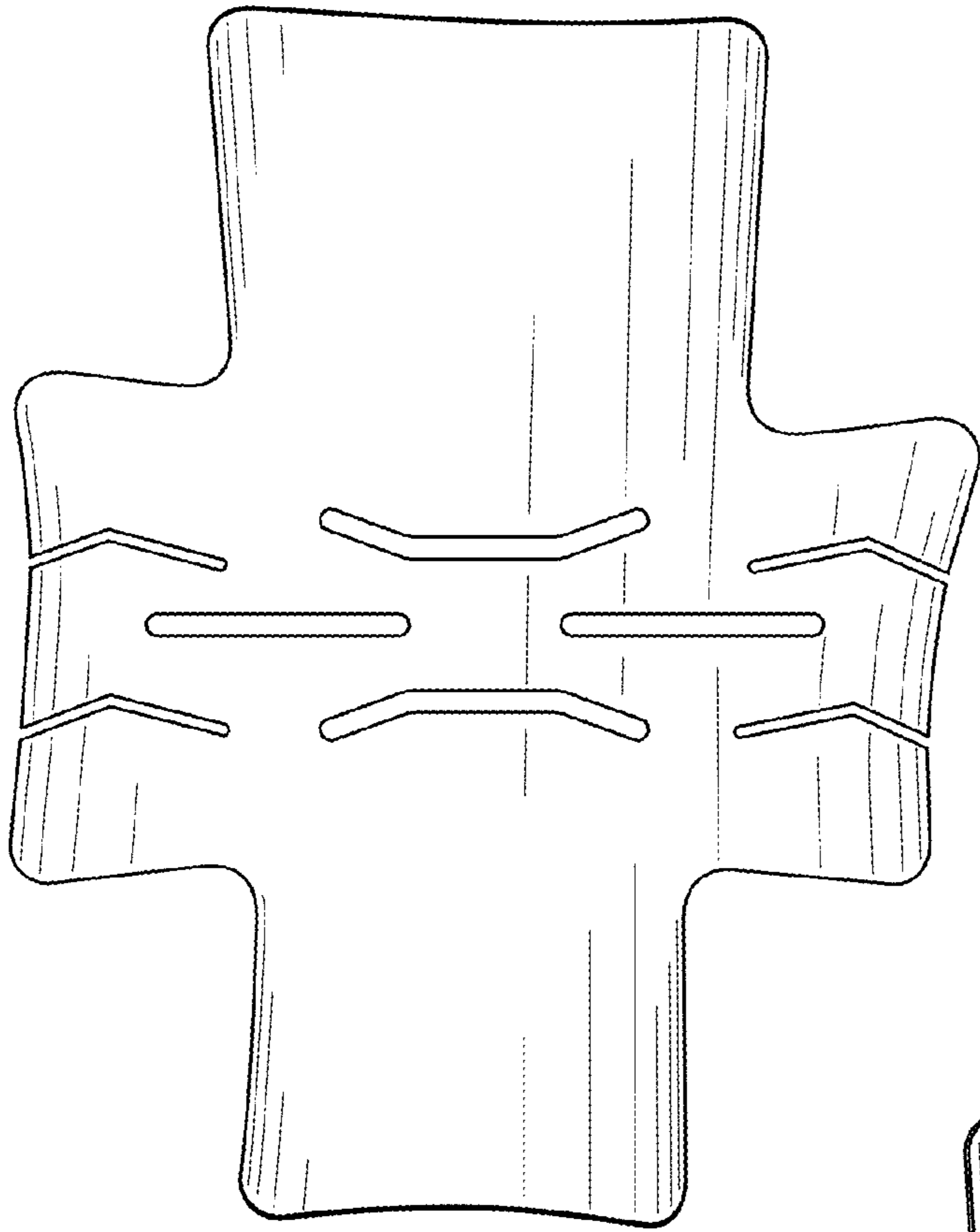


FIG. 2

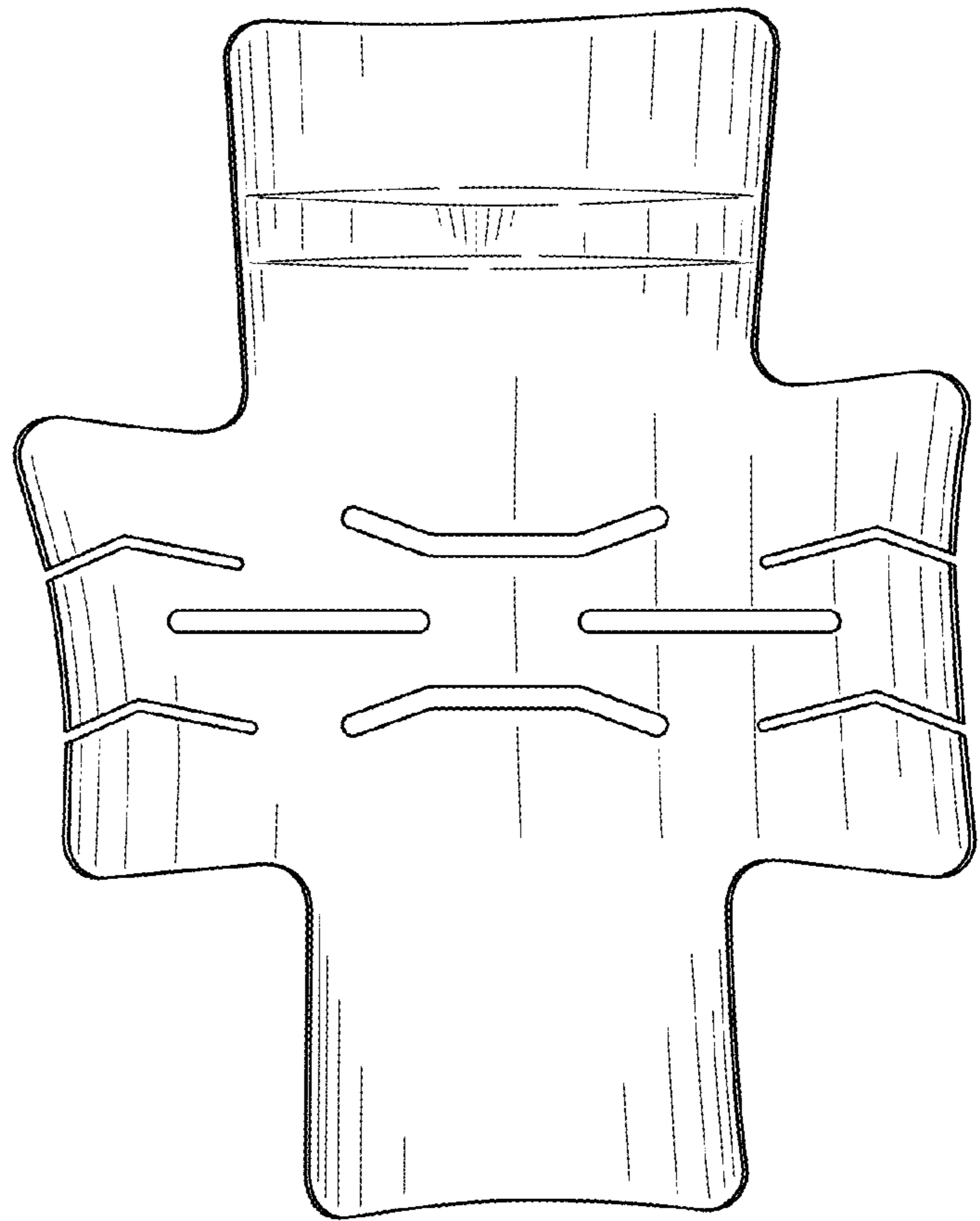


FIG. 3

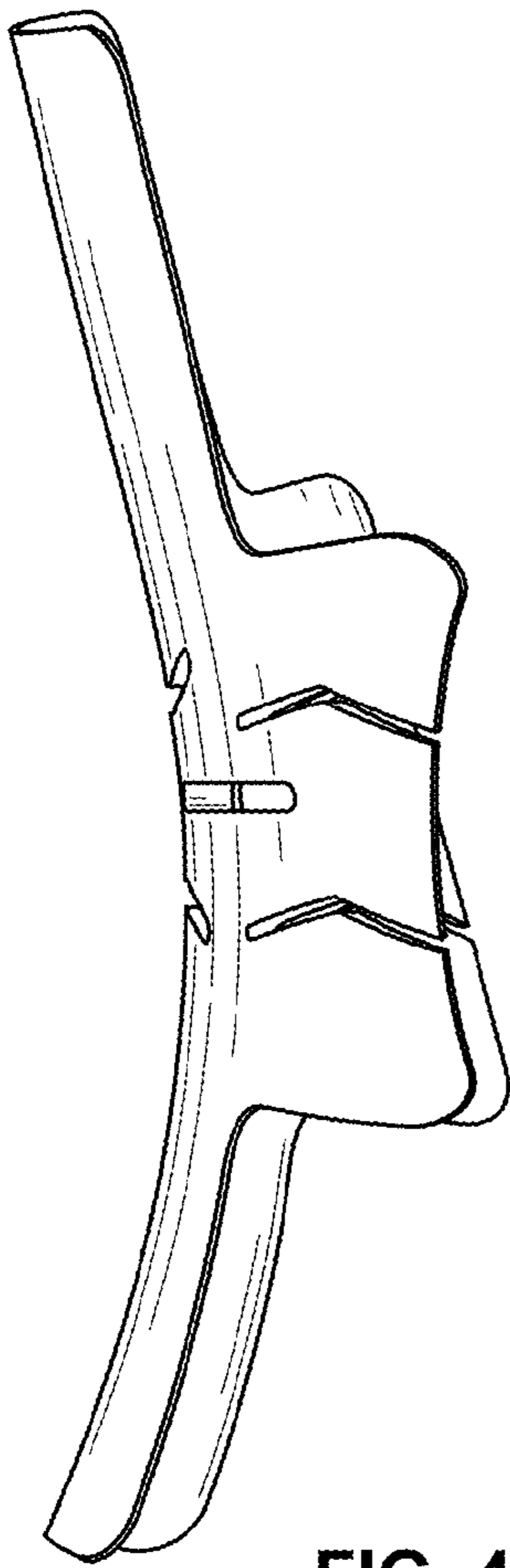


FIG. 4

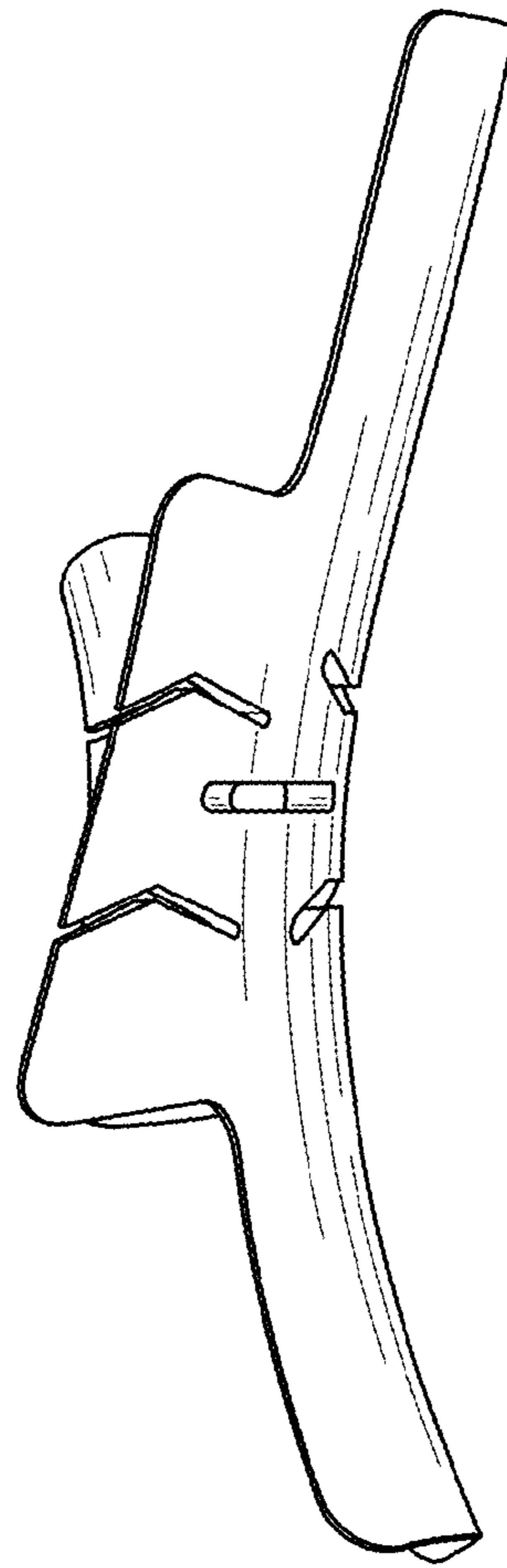


FIG. 5

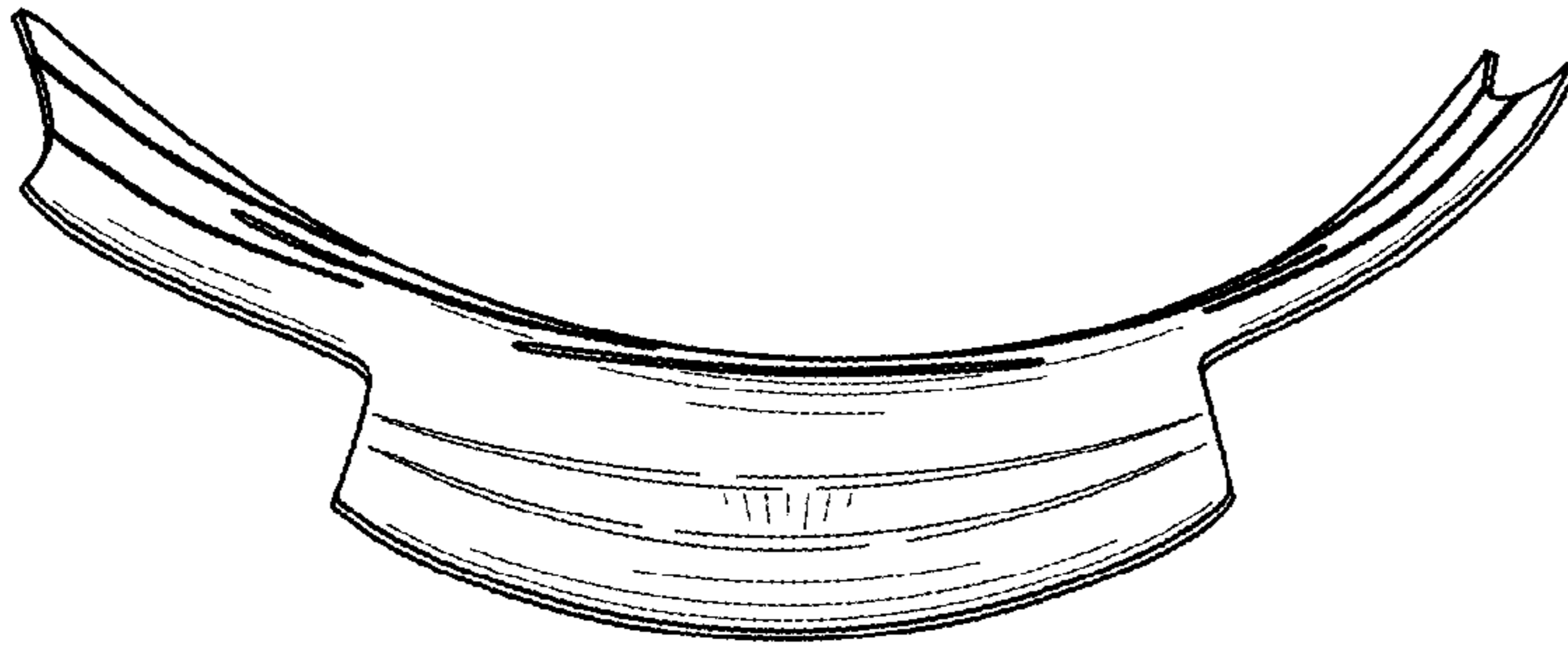


FIG. 6

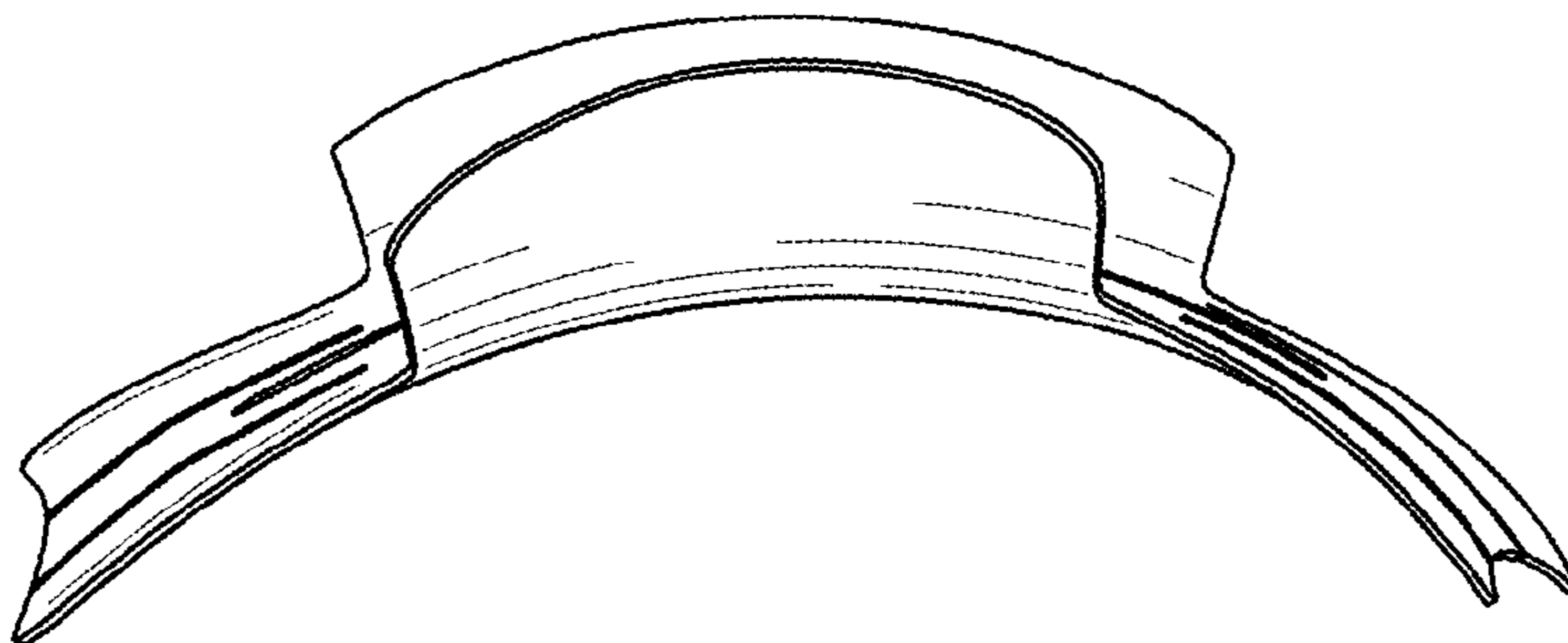


FIG. 7

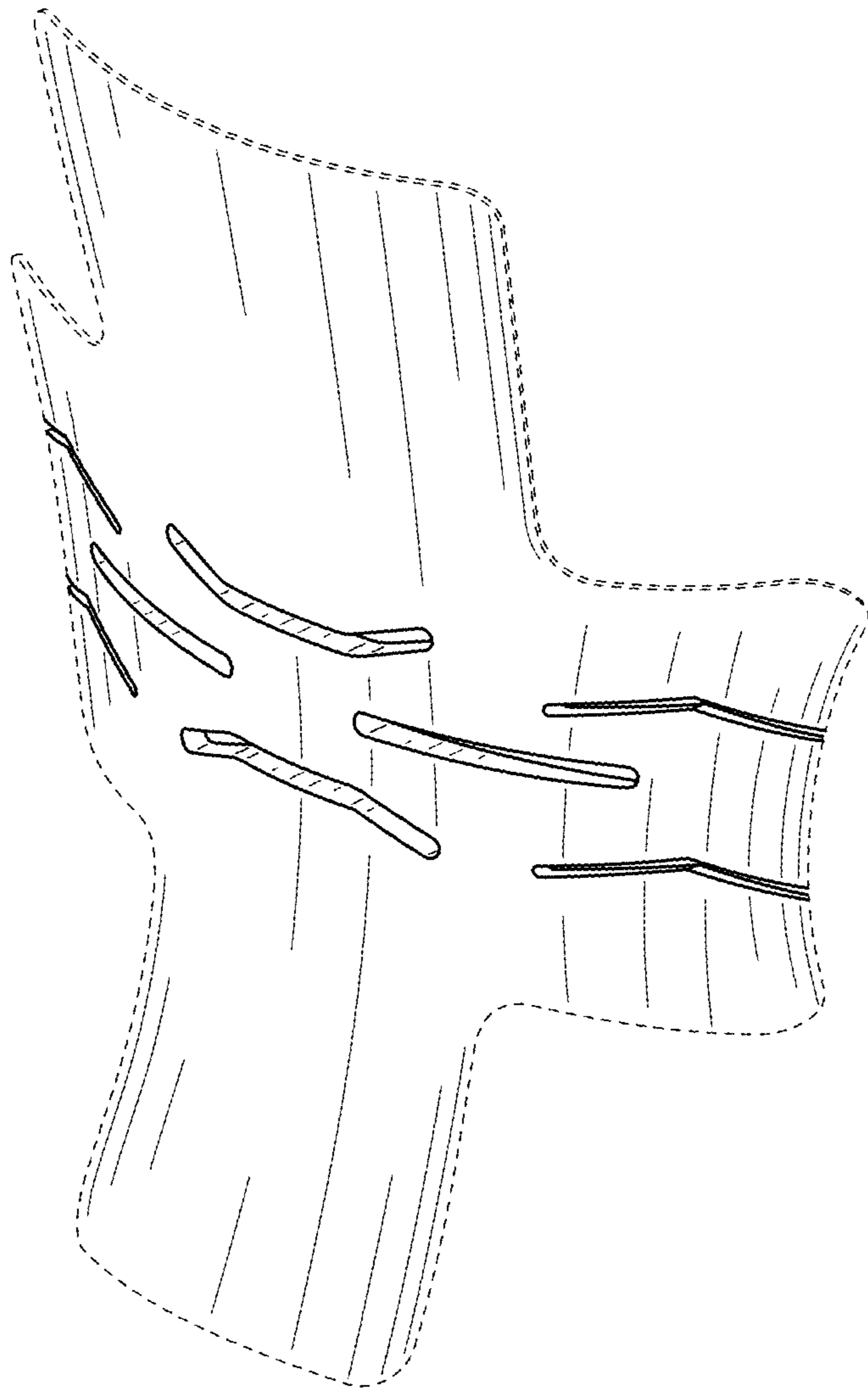


FIG. 8

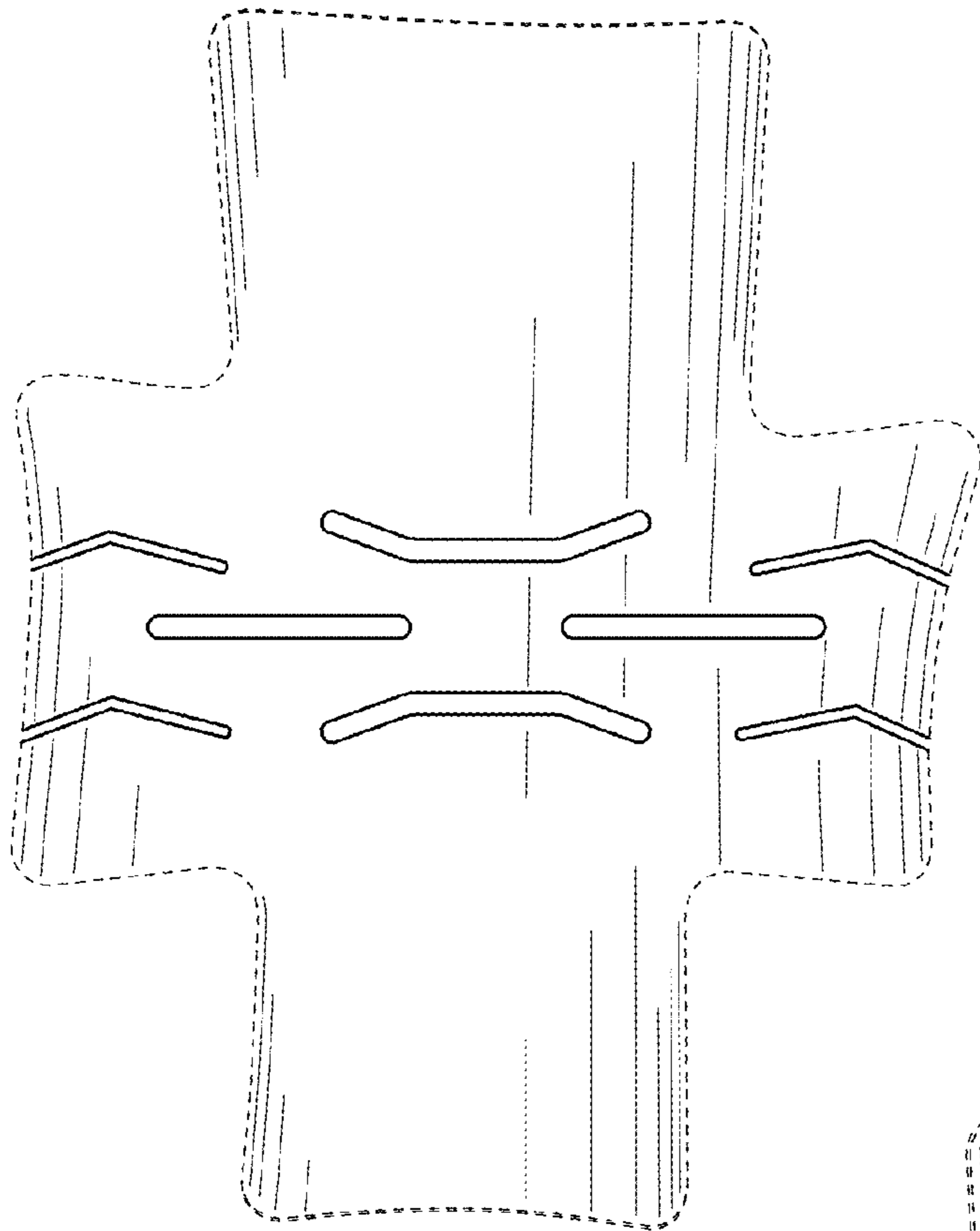


FIG. 9

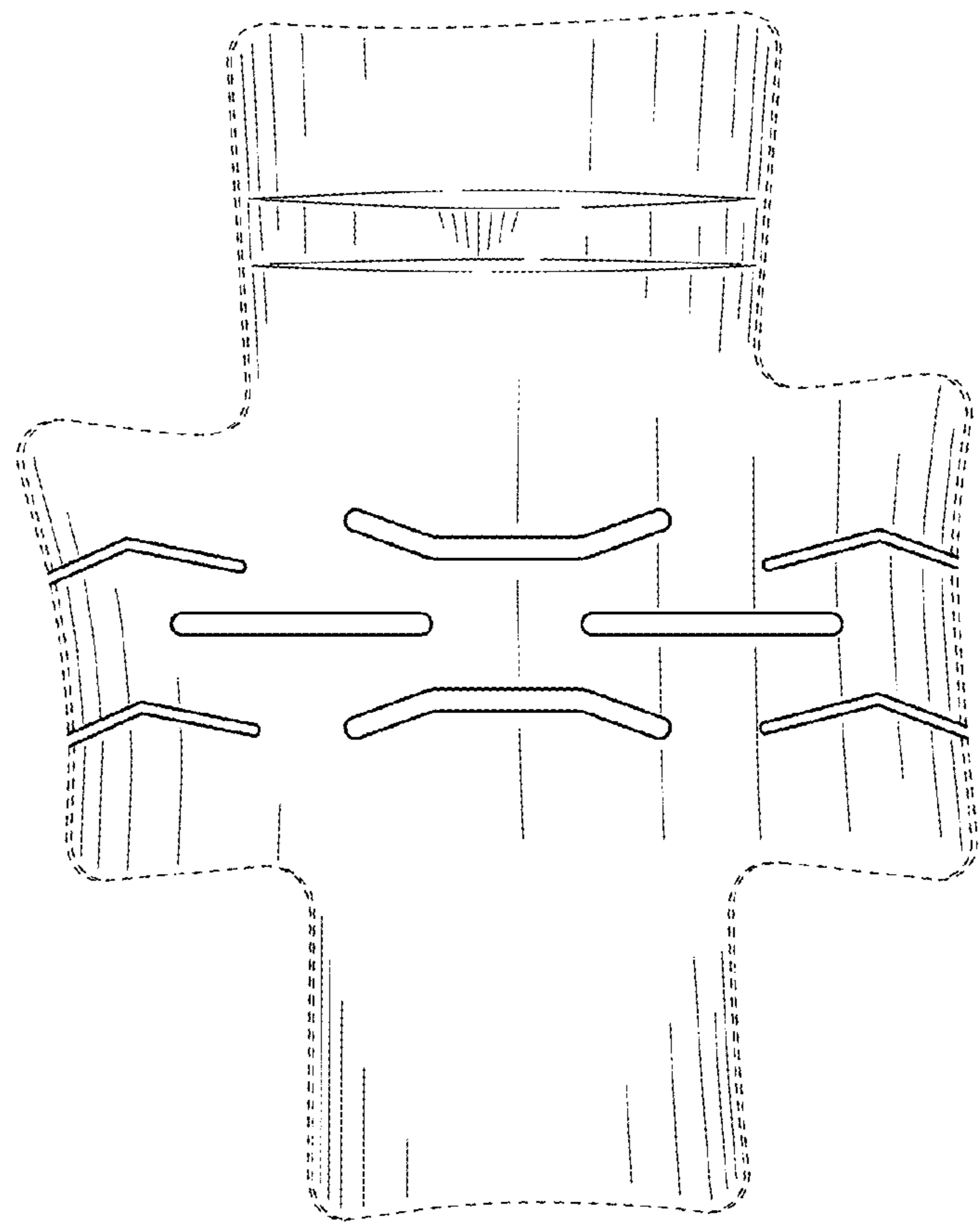


FIG. 10

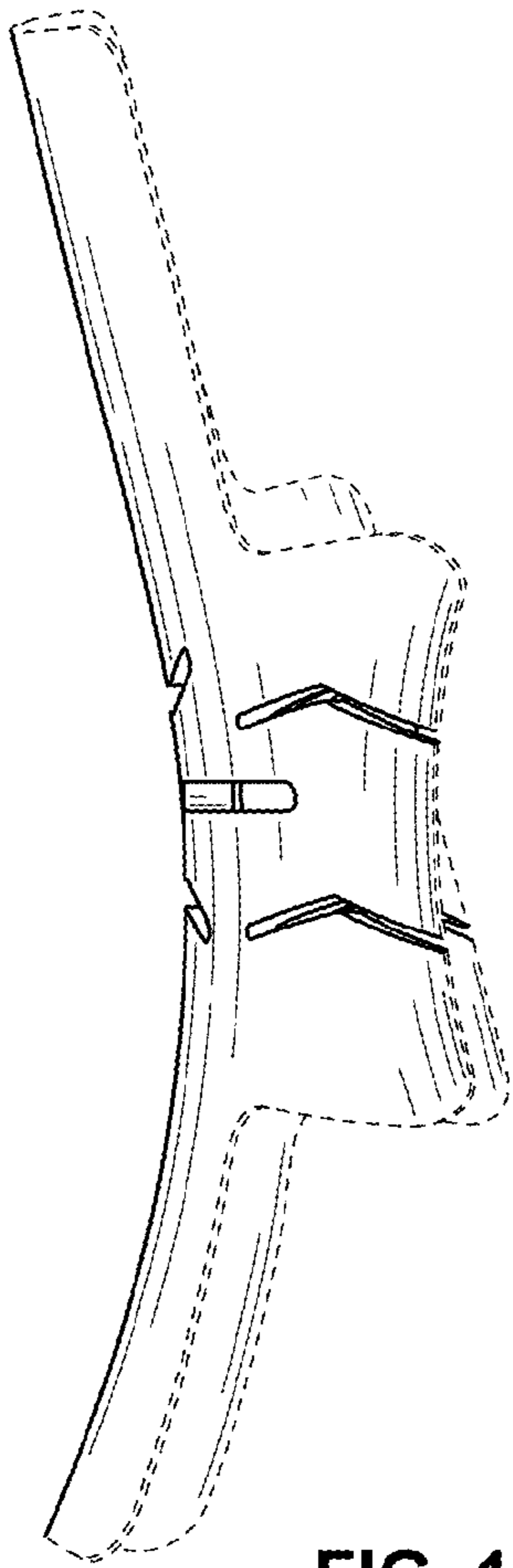


FIG. 11

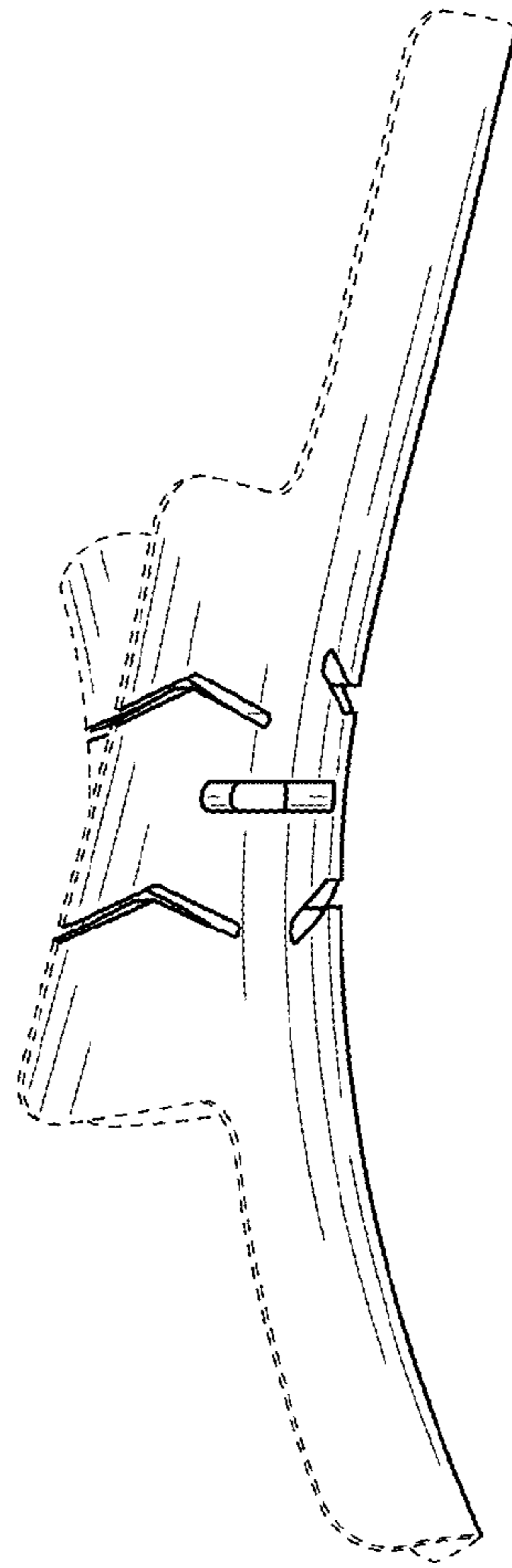


FIG. 12

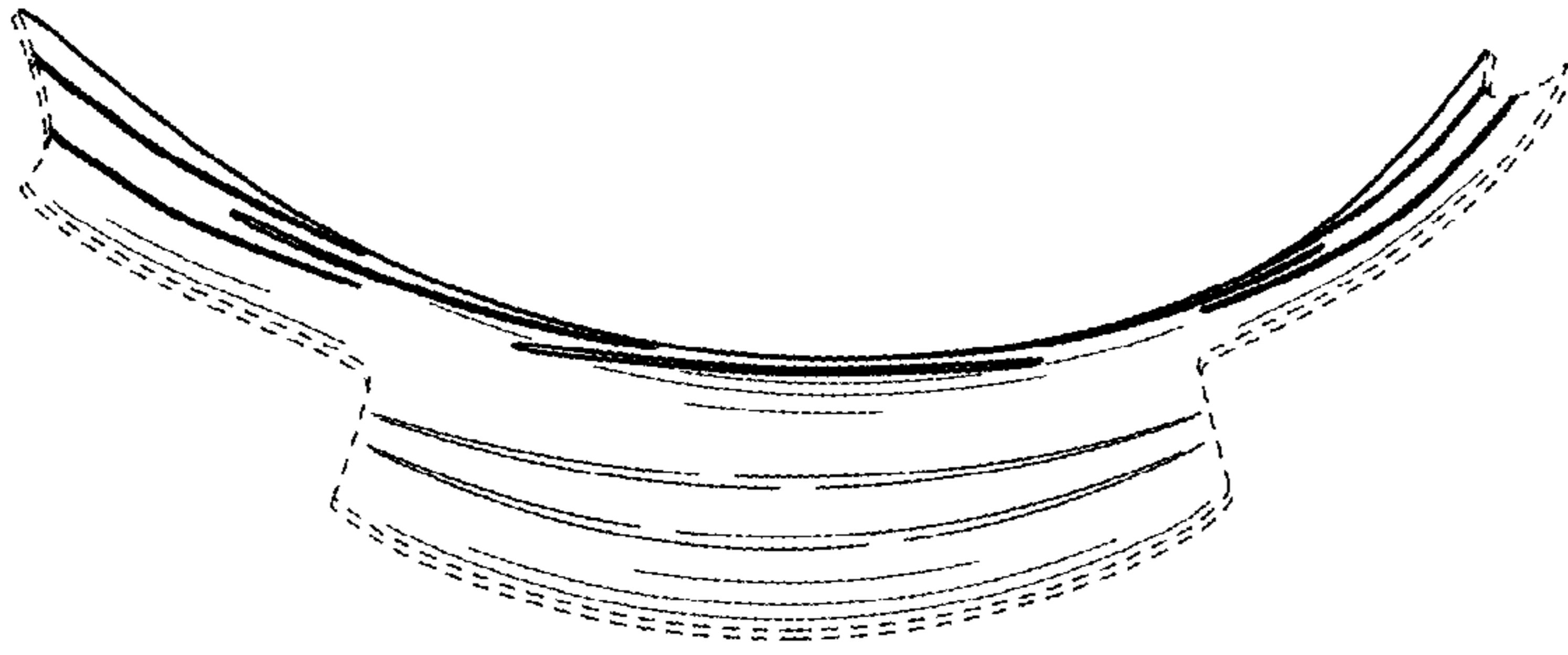


FIG. 13

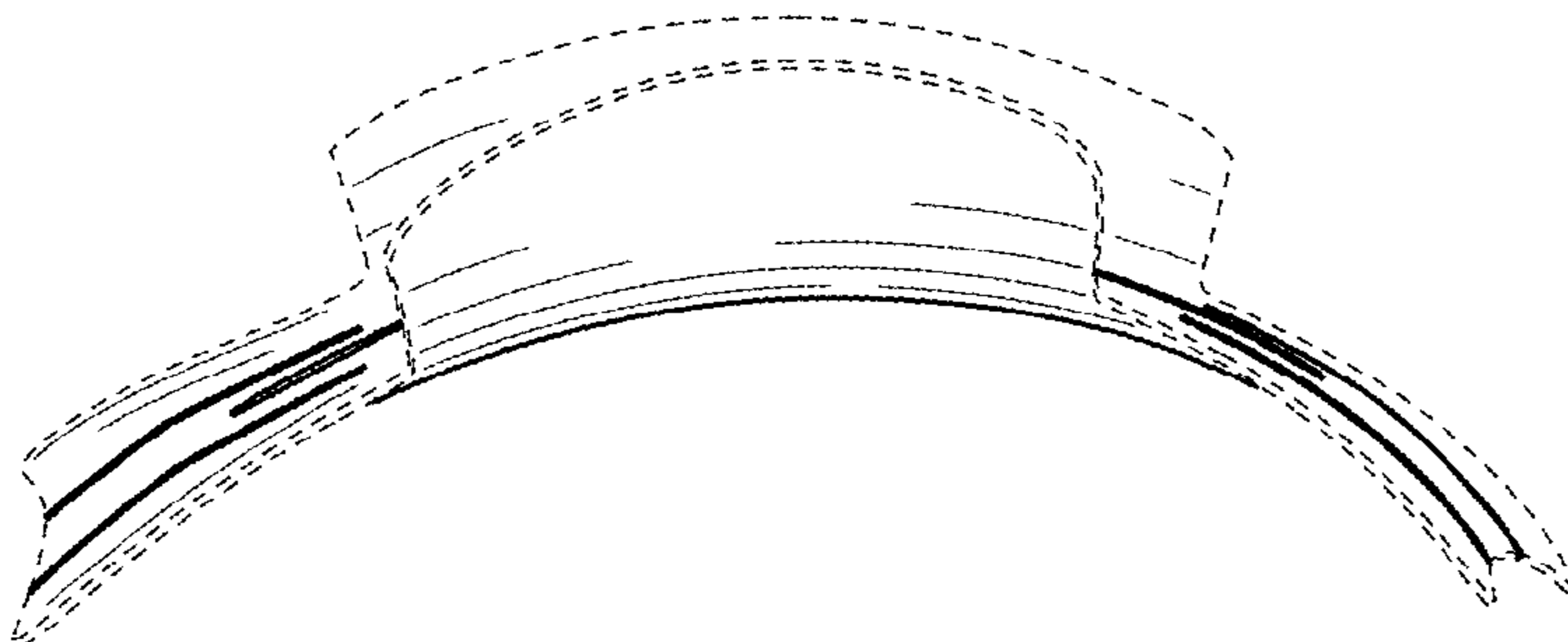


FIG. 14

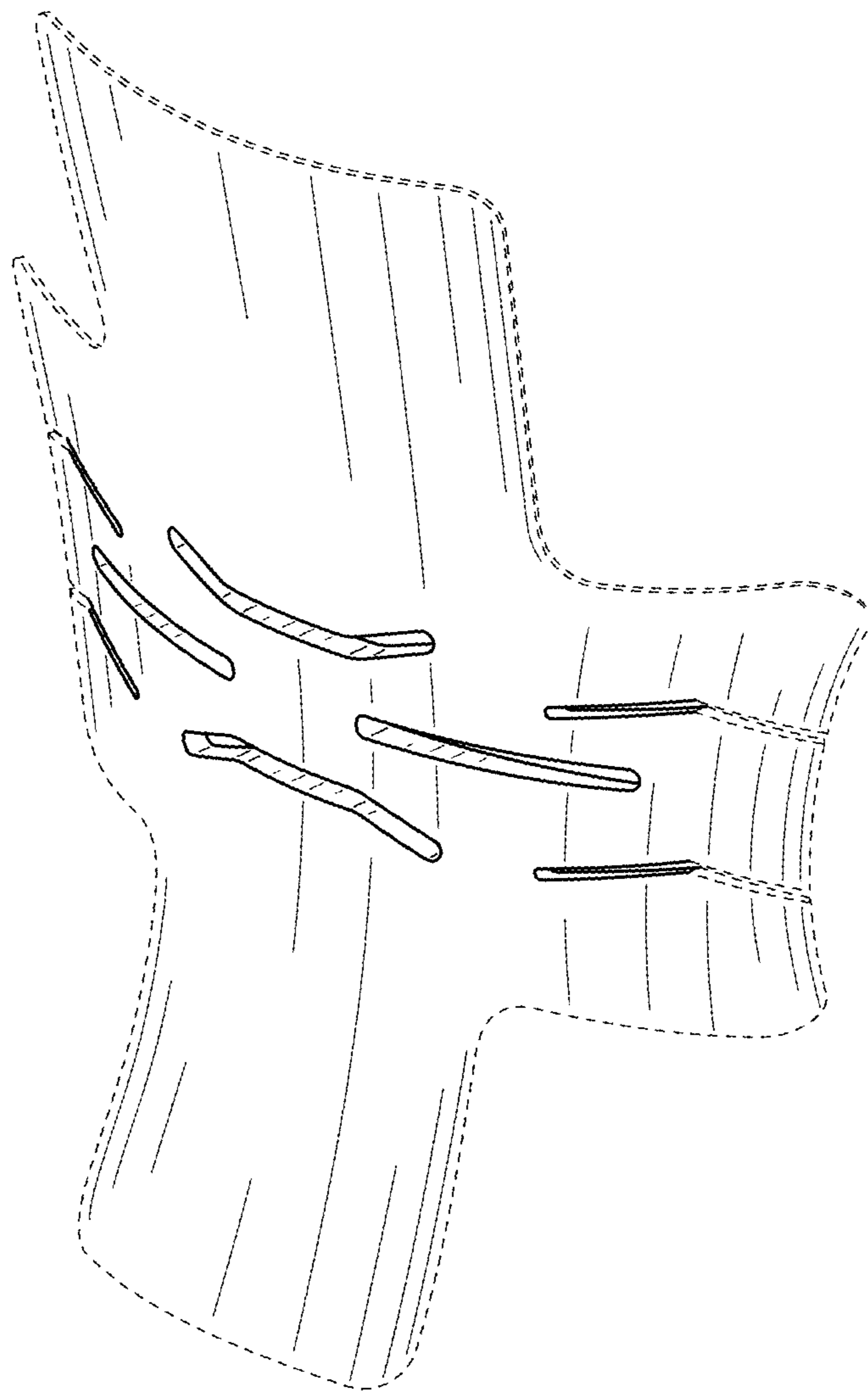


FIG. 15

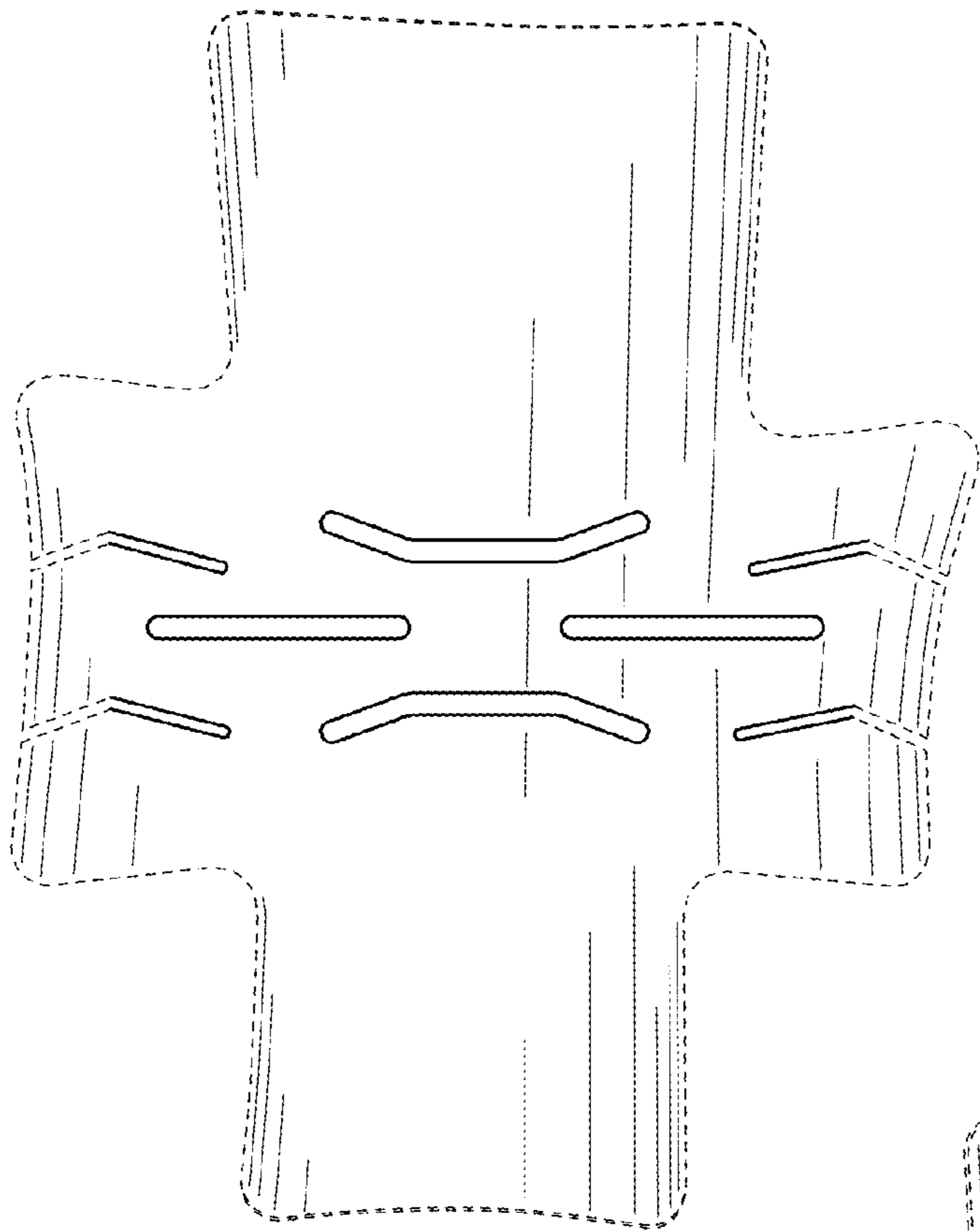


FIG. 16

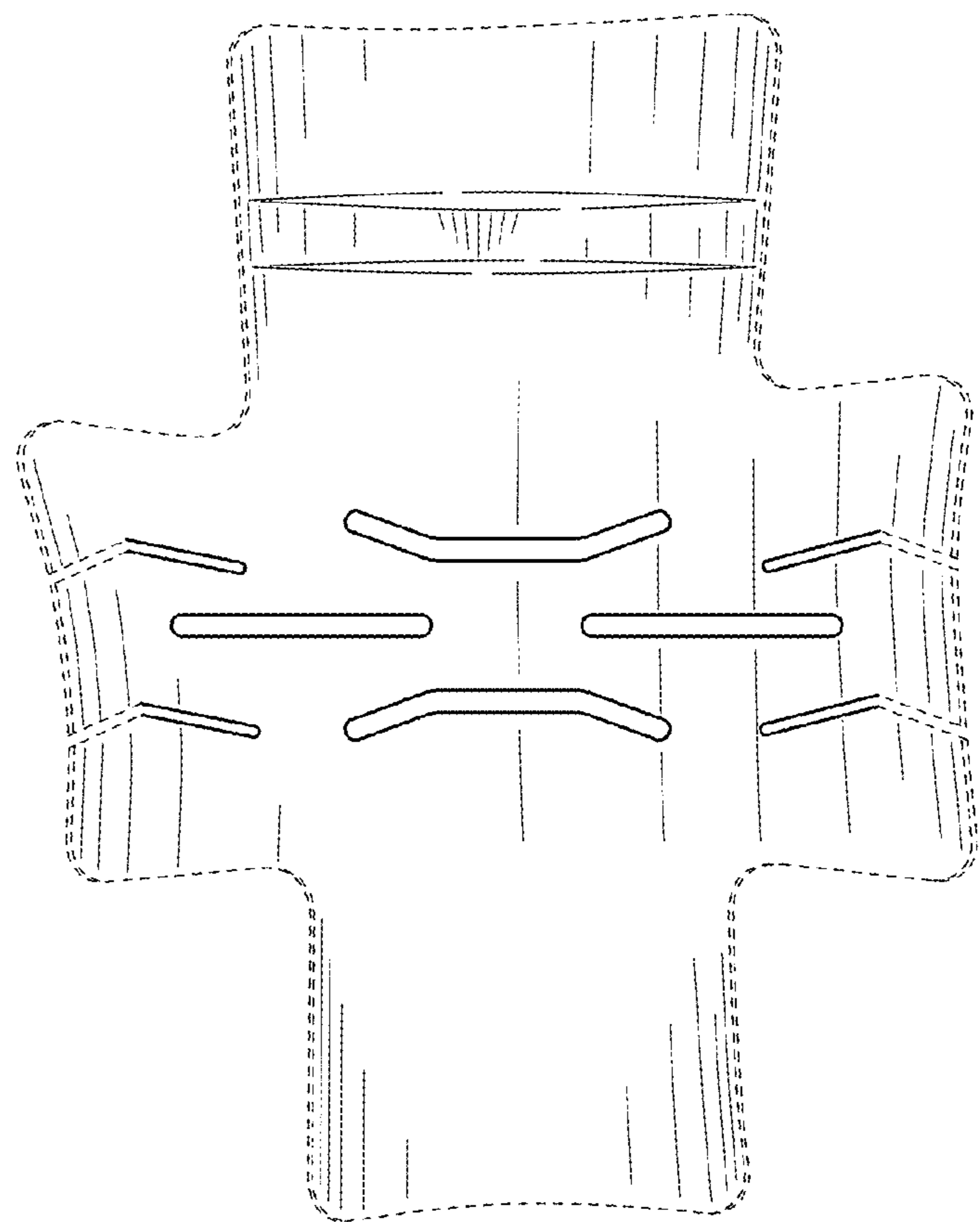


FIG. 17

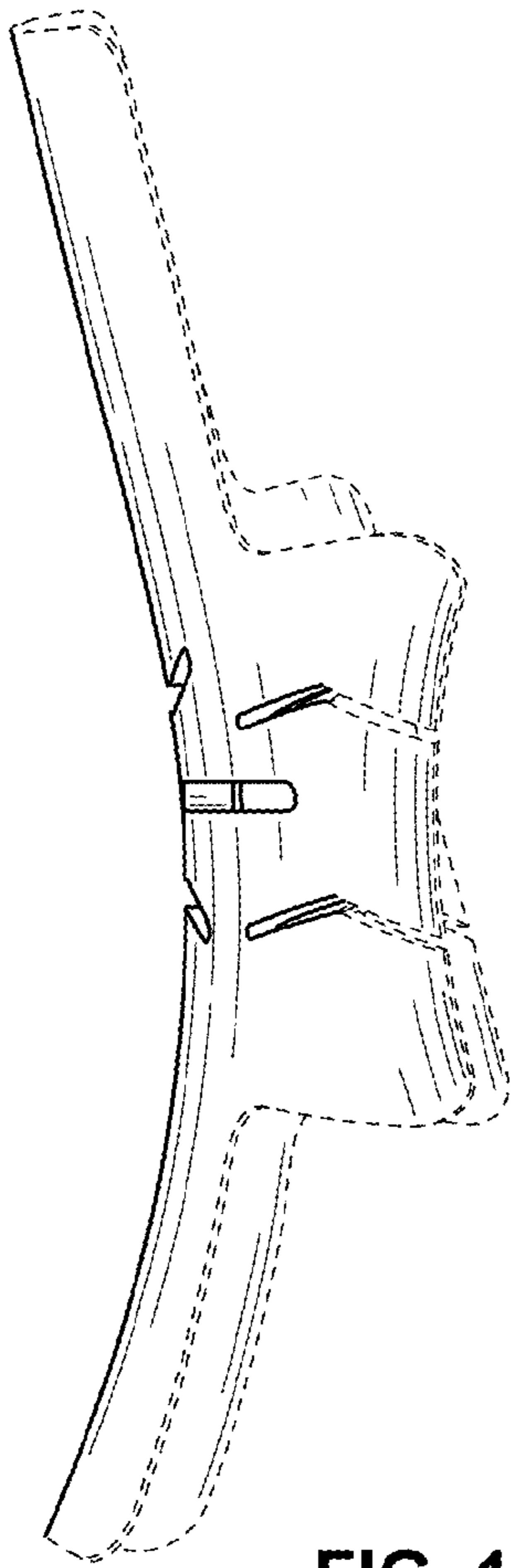


FIG. 18

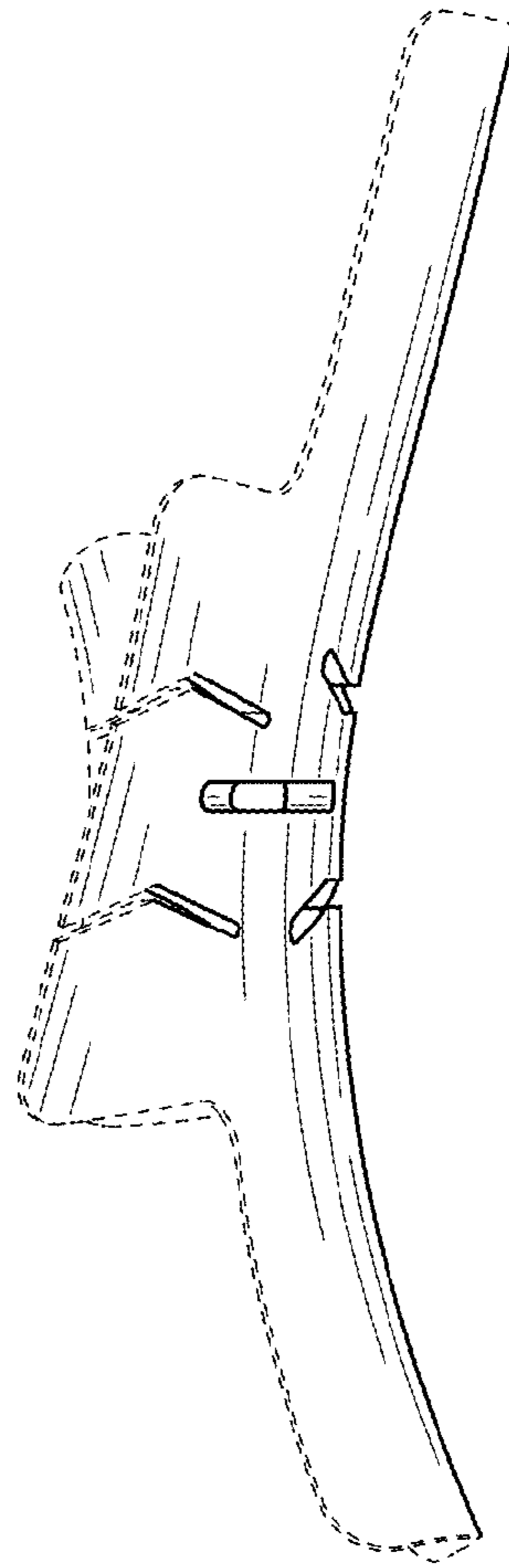


FIG. 19

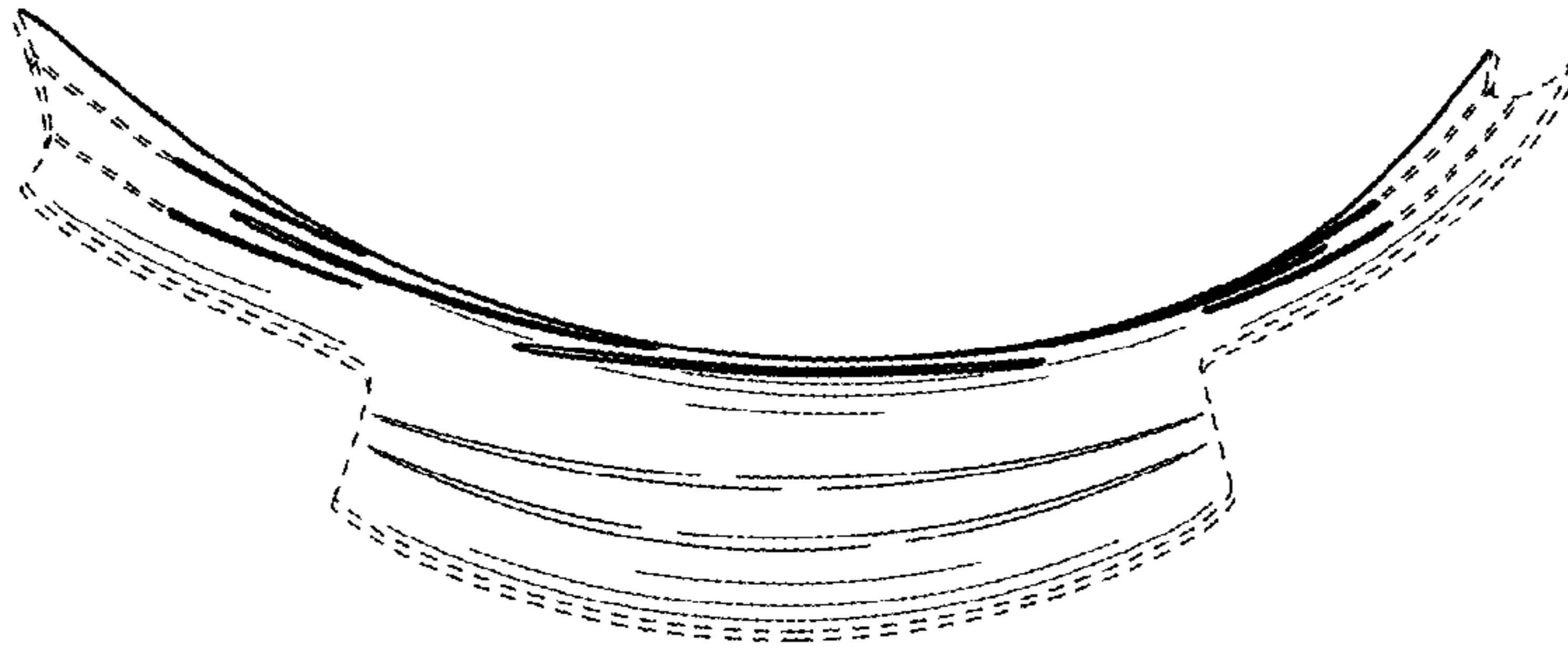


FIG. 20

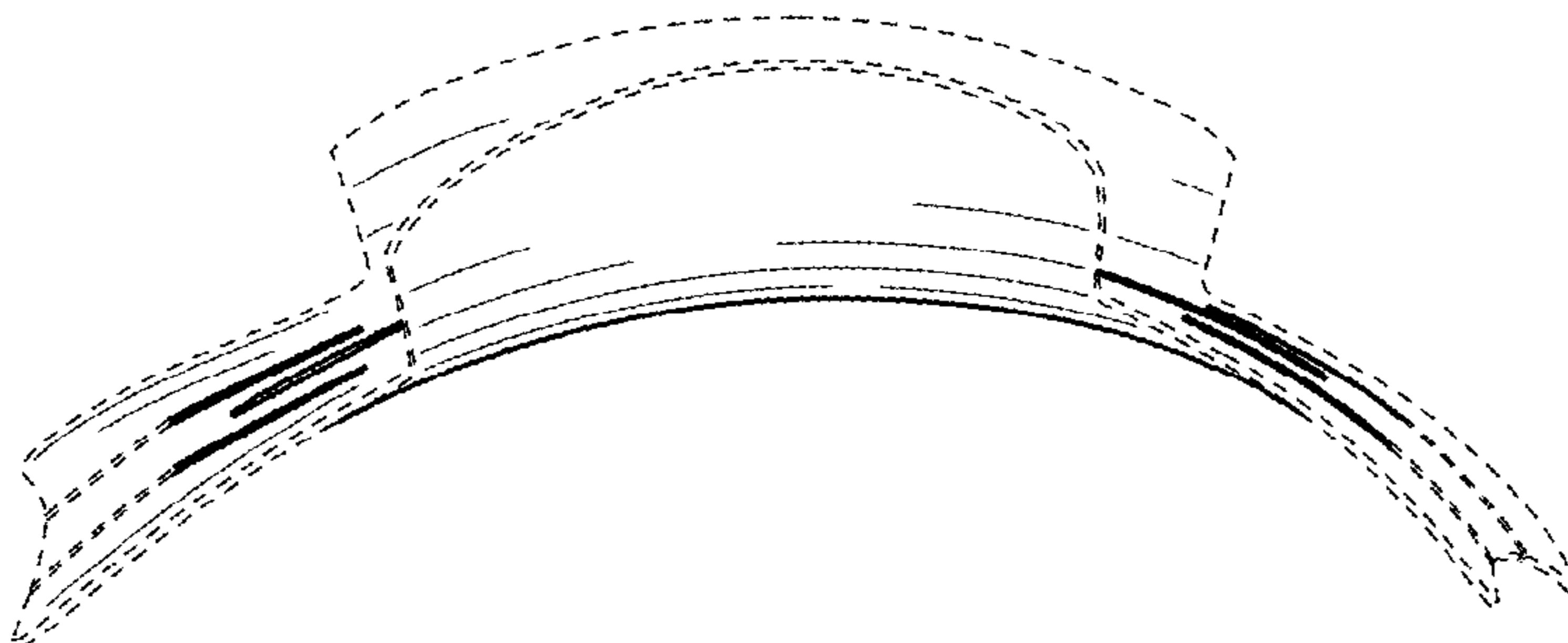


FIG. 21