



US00D959056S

(12) **United States Design Patent**  
**Zhang**

(10) **Patent No.:** **US D959,056 S**

(45) **Date of Patent:** **\*\* Jul. 26, 2022**

(54) **NAIL DRILL**

(71) Applicant: **Yinan Zhang**, Huazhou (CN)

(72) Inventor: **Yinan Zhang**, Huazhou (CN)

(\*\*) Term: **15 Years**

(21) Appl. No.: **29/736,274**

(22) Filed: **May 29, 2020**

(51) **LOC (13) Cl.** ..... **28-03**

(52) **U.S. Cl.**

USPC ..... **D28/58**

(58) **Field of Classification Search**

USPC ..... D28/58, 12, 54.1, 56, 57, 62, 99

CPC ..... A45D 29/00; A45D 29/007; A45D 29/20;

A45D 2200/15-155; A45D 2200/205;

A45D 2029/008; A47K 10/48; A47K

10/00; F21V 33/0004; F21V 33/00

See application file for complete search history.

(56) **References Cited**

**U.S. PATENT DOCUMENTS**

D680,272 S *	4/2013	Cheng	.....	D28/54.1
D685,949 S *	7/2013	Valia	.....	D28/58
D692,617 S *	10/2013	Haile	.....	D28/58
D765,314 S *	8/2016	Loibl	.....	D28/58
D805,692 S *	12/2017	Cheng	.....	D28/58
D853,031 S *	7/2019	Ouyang	.....	D28/58
D857,993 S *	8/2019	Hsieh	.....	D28/58
D858,883 S *	9/2019	Wu	.....	D28/58
D858,884 S *	9/2019	Wu	.....	D28/58
D858,885 S *	9/2019	Wu	.....	D28/58
D864,485 S *	10/2019	Ouyang	.....	D28/58
D880,068 S *	3/2020	Wu	.....	D28/58

D890,431 S *	7/2020	Hsieh	.....	D28/58
D897,044 S *	9/2020	Yu	.....	D28/58
D900,396 S *	10/2020	Zhang	.....	D28/58
D909,682 S *	2/2021	Wu	.....	D28/58
D919,184 S *	5/2021	Feng	.....	D28/58
D920,576 S *	5/2021	Liu	.....	D28/58

**OTHER PUBLICATIONS**

Professional Nail Drill Machine By: JEWHITENY found on Amazon Oct. 29, 2021 <https://www.amazon.com/JEWHITENY-Professional-Electric-Manicure-110-240V/dp/B07THZ5LX4> Aug. 19, 2019.\*

\* cited by examiner

*Primary Examiner* — Rebecca Tsehaye

(57) **CLAIM**

The ornamental design for a nail drill, as shown and described.

**DESCRIPTION**

FIG. 1 is a first perspective view of a nail drill showing my new design;

FIG. 2 is a second perspective view thereof;

FIG. 3 is a front view thereof;

FIG. 4 is a back view thereof;

FIG. 5 is a left side view thereof;

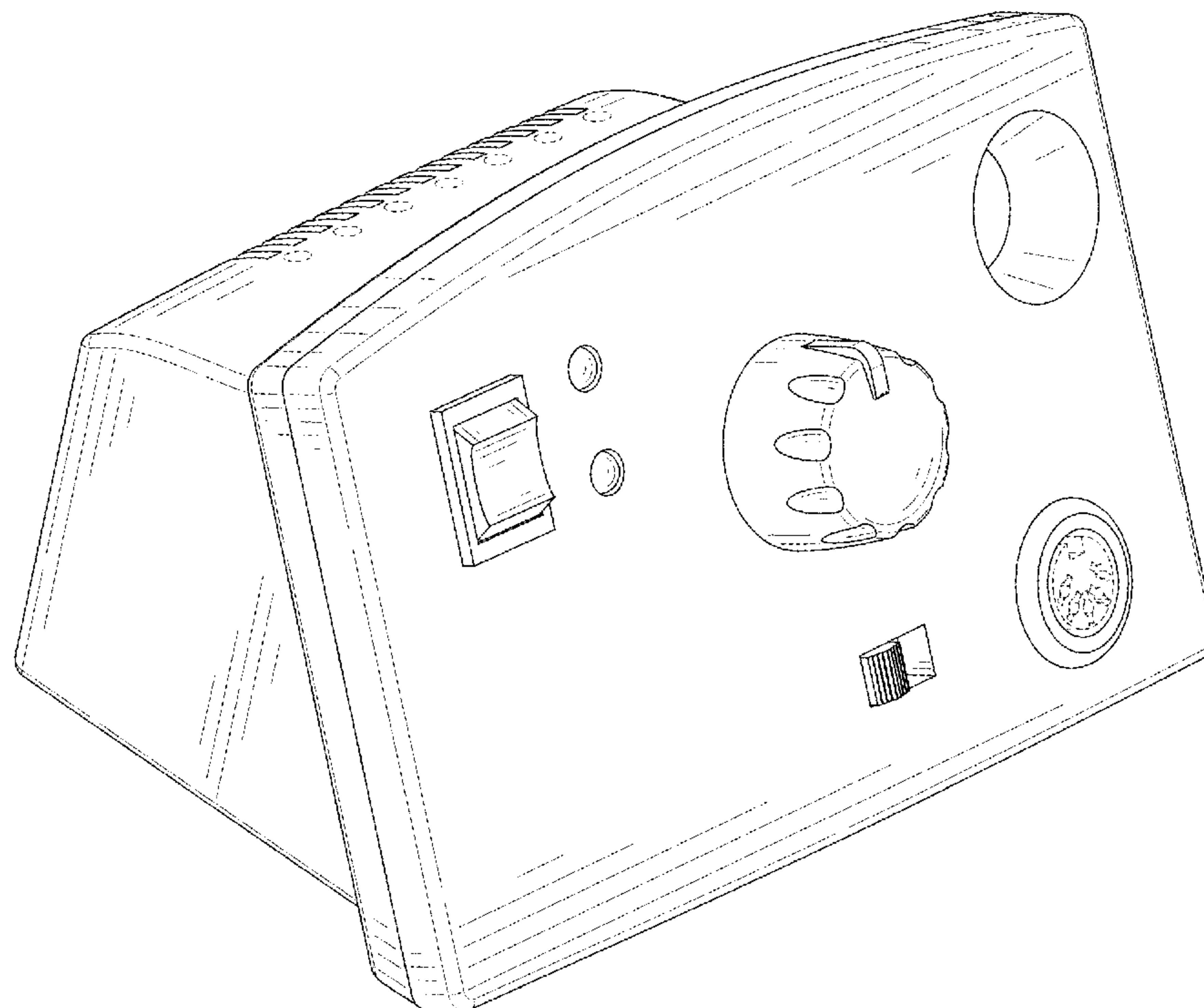
FIG. 6 is a right side view thereof;

FIG. 7 is a top view thereof; and,

FIG. 8 is a bottom view thereof.

The broken lines shown in the drawings depict portions of the nail drill in which the design is embodied that form no part of the claimed design.

**1 Claim, 8 Drawing Sheets**



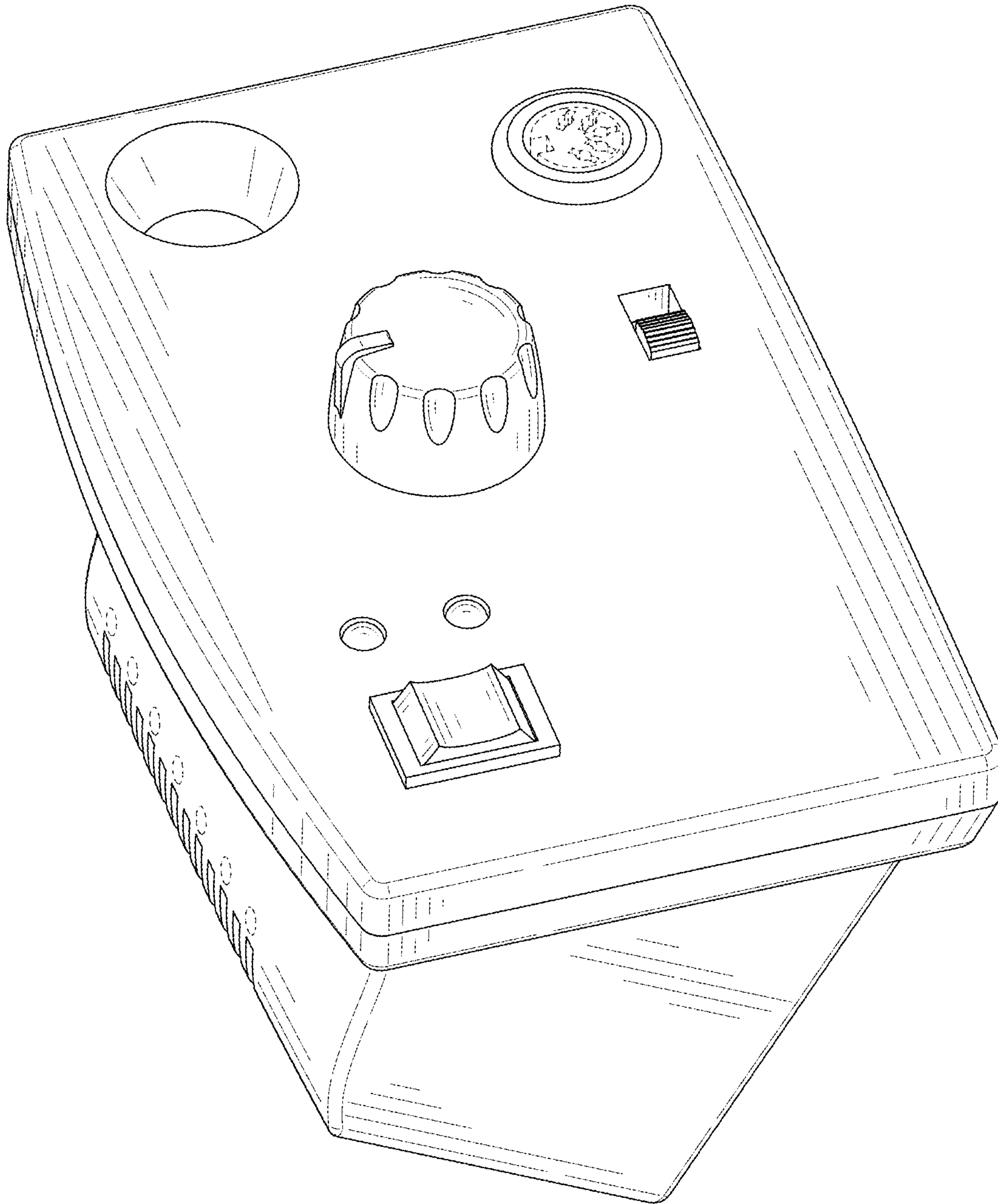


FIG. 1

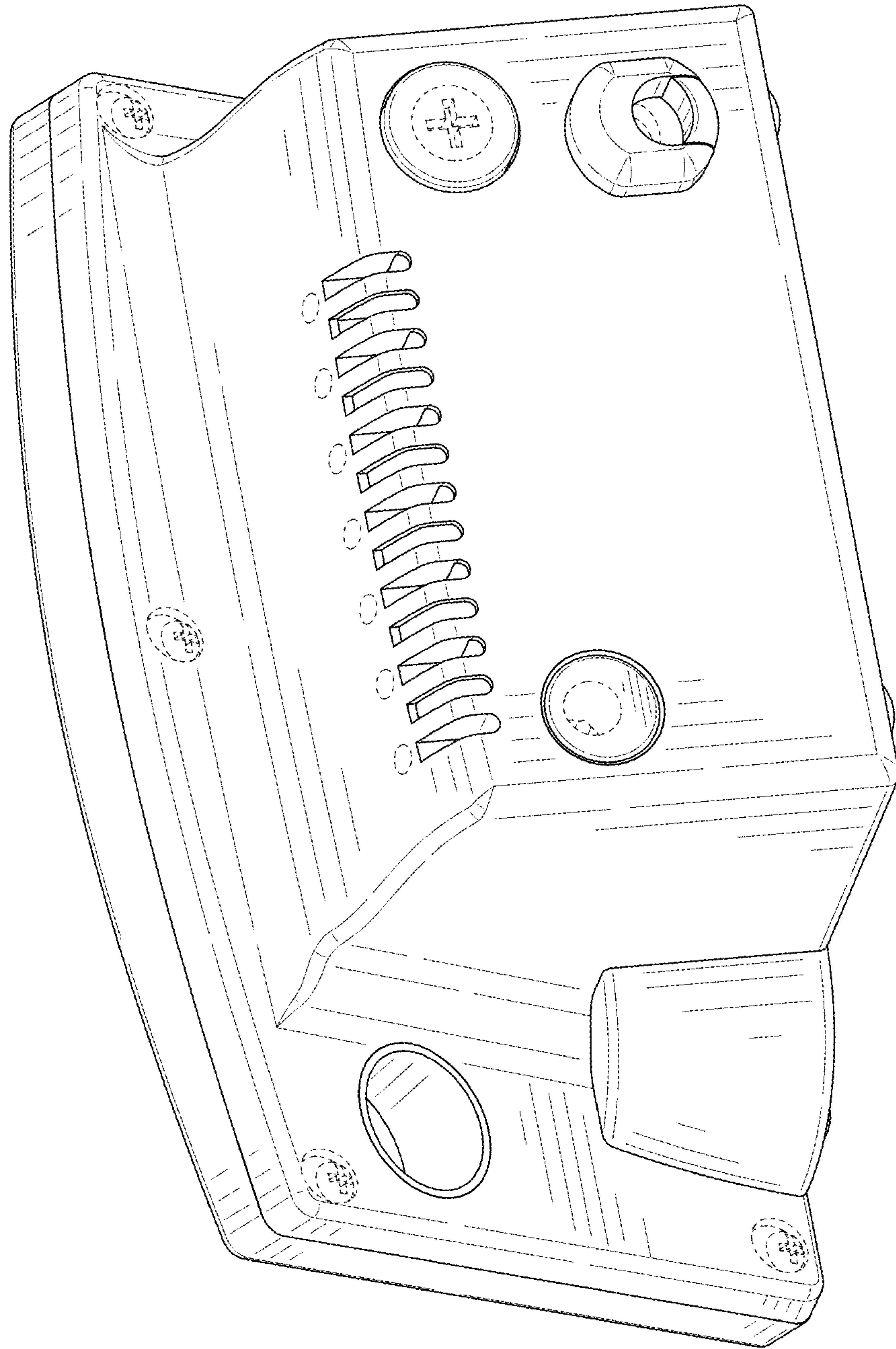


FIG. 2

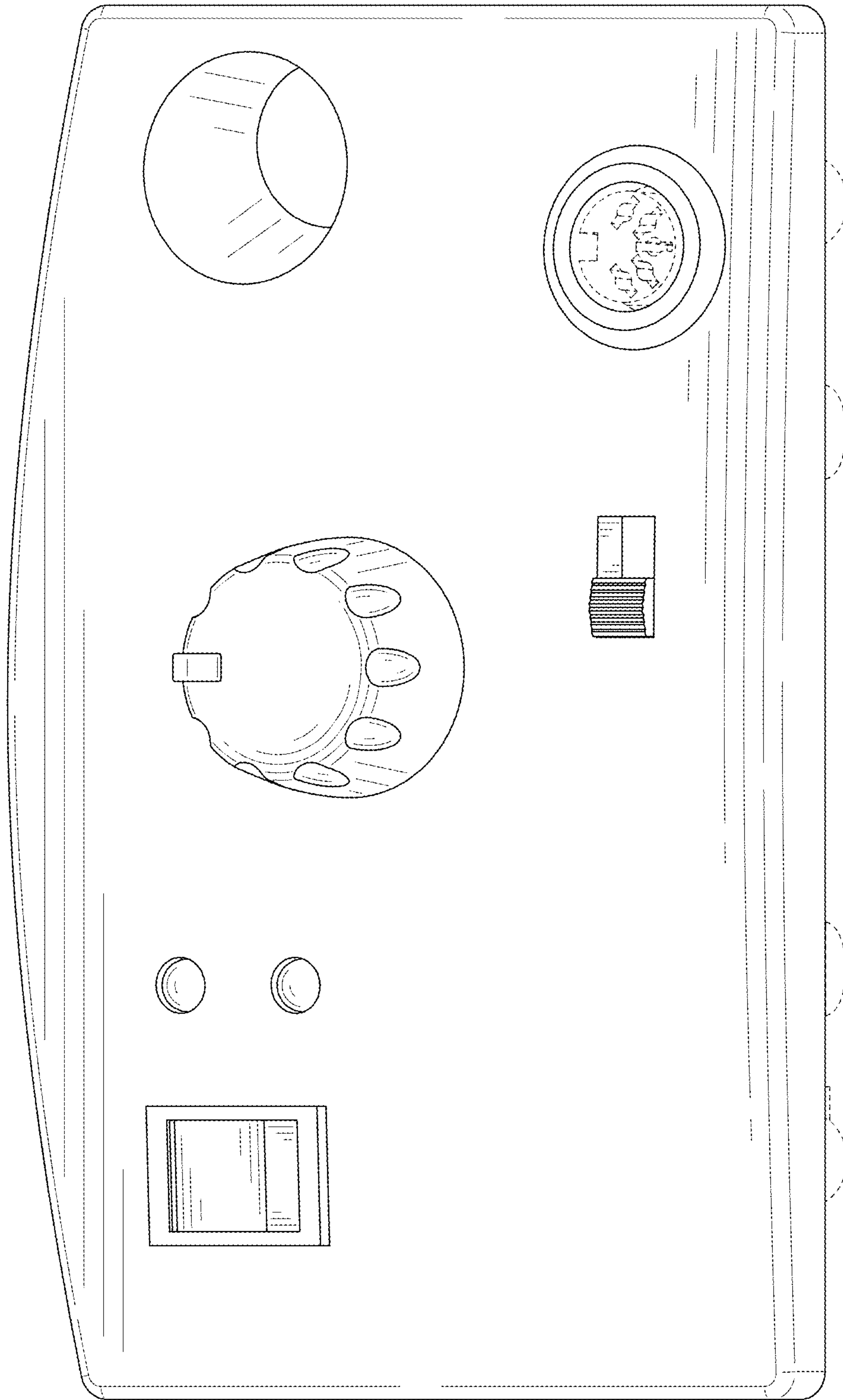


FIG. 3



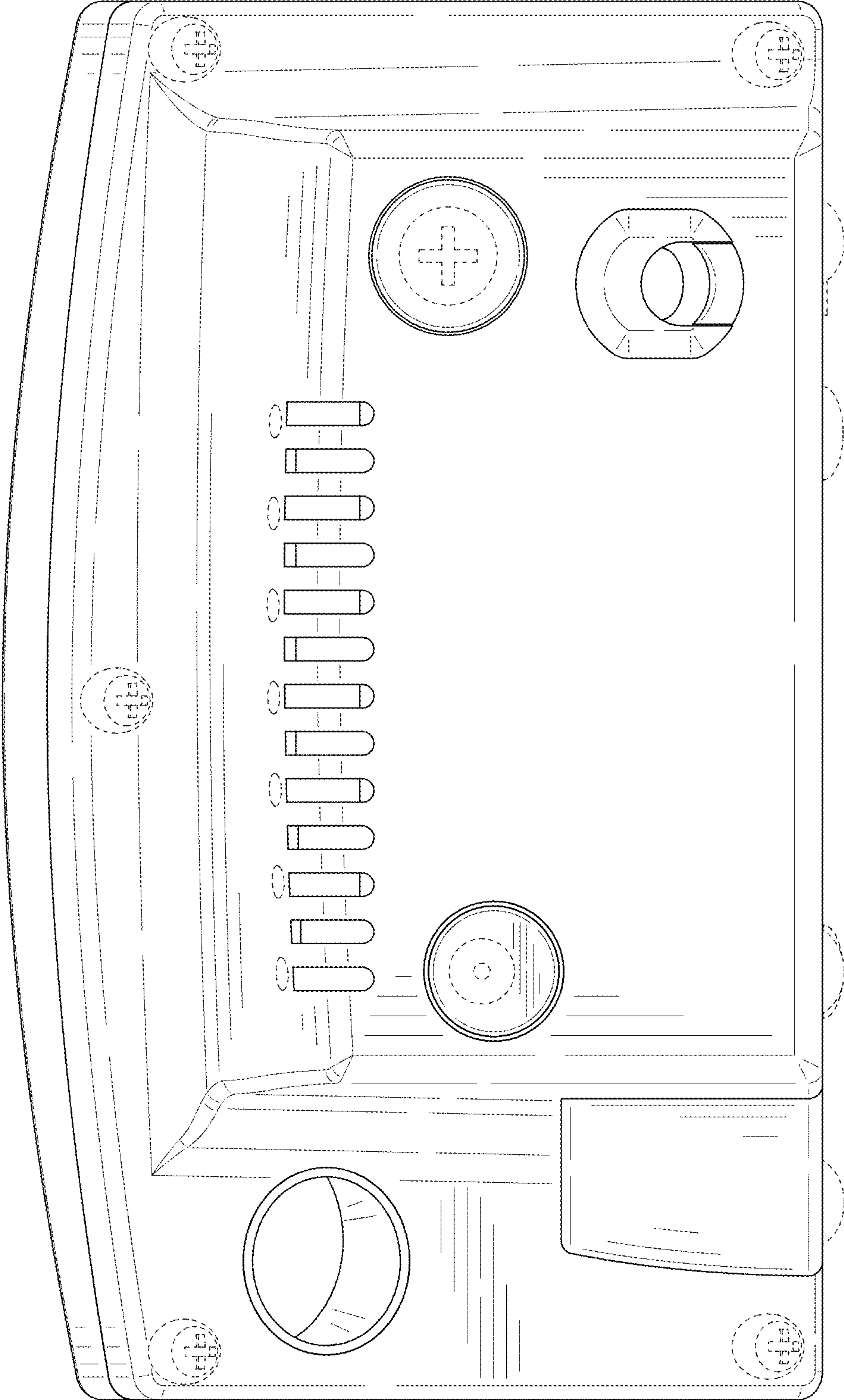


FIG. 4

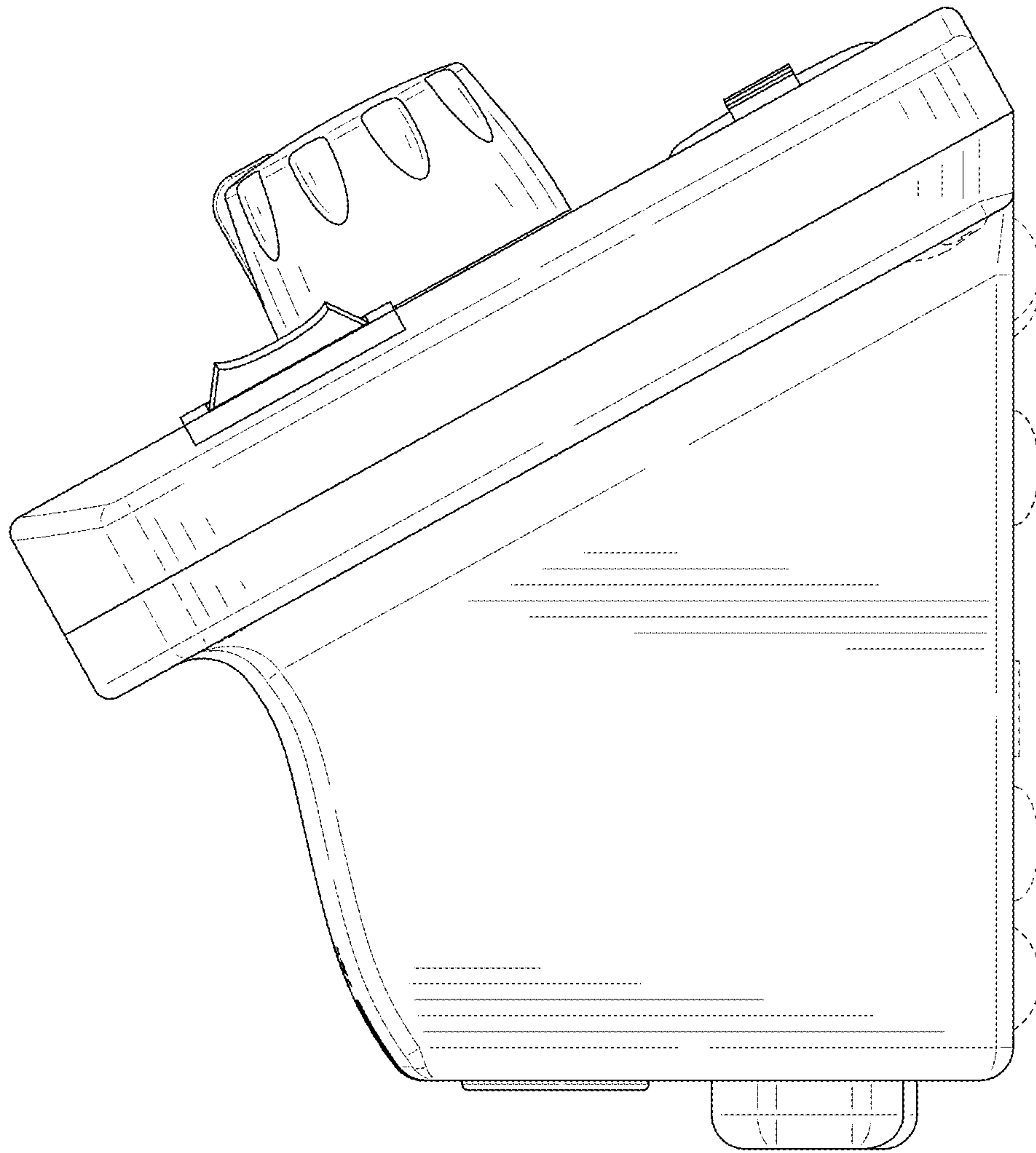


FIG. 5

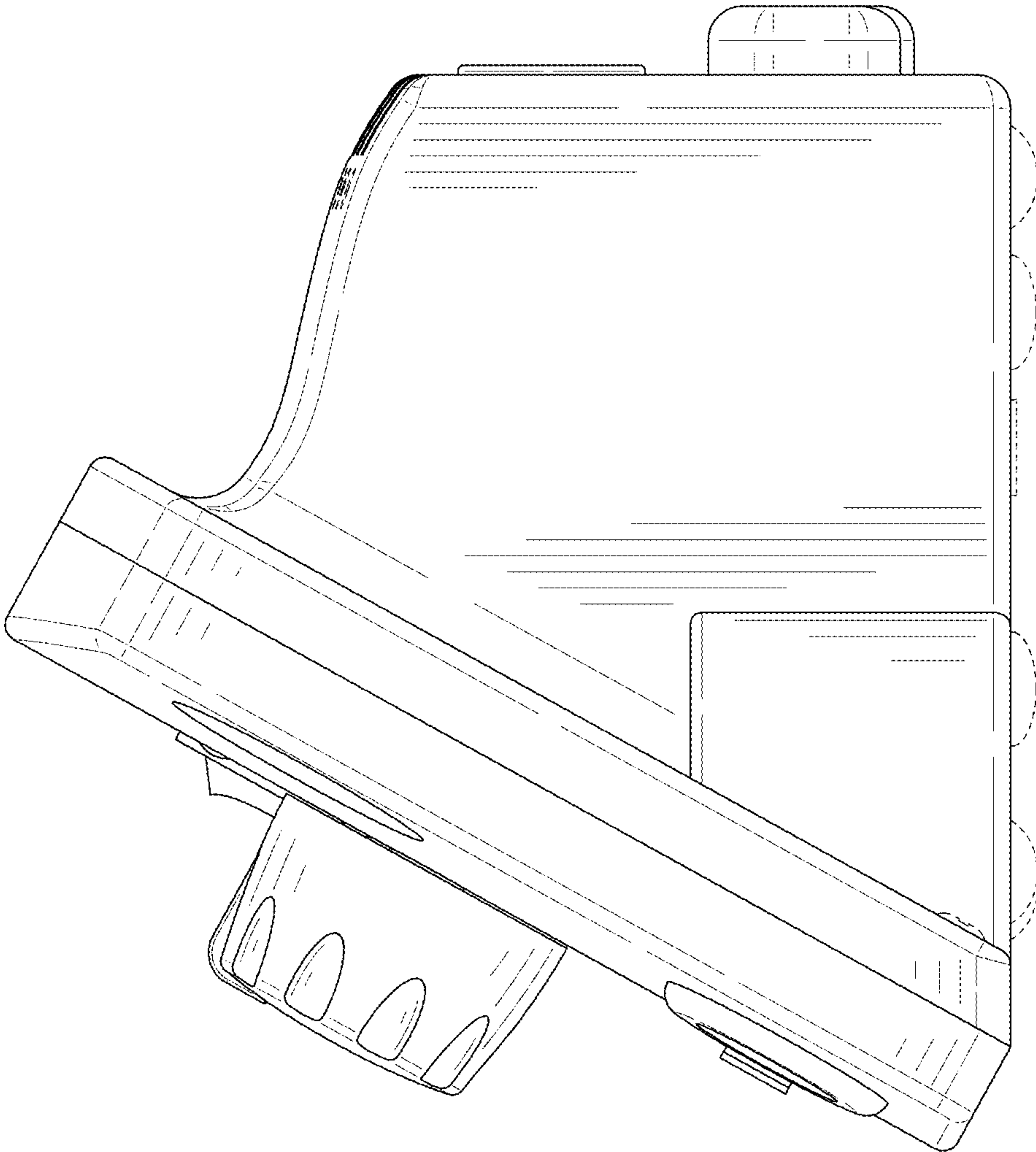


FIG. 6

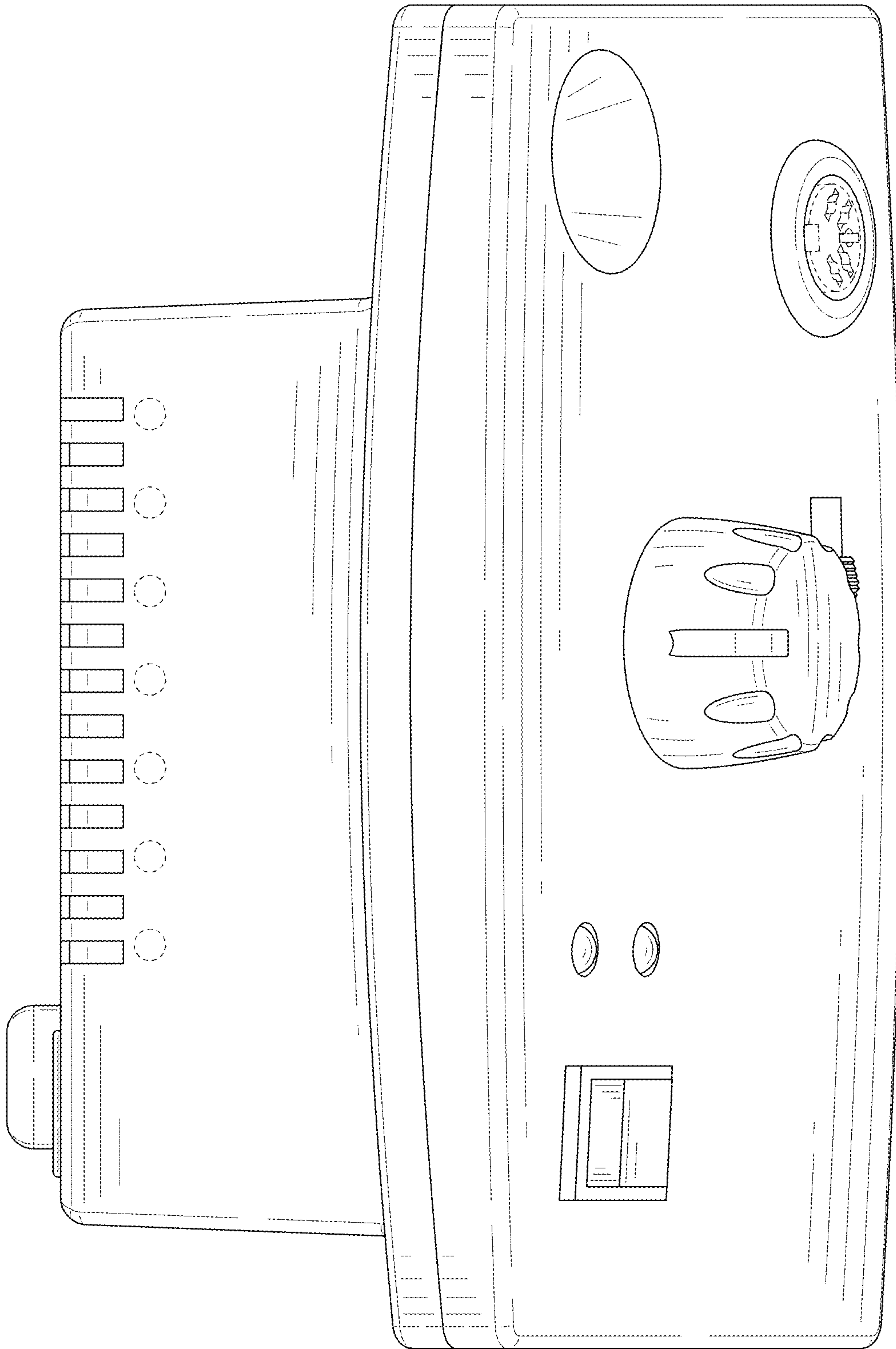


FIG. 7



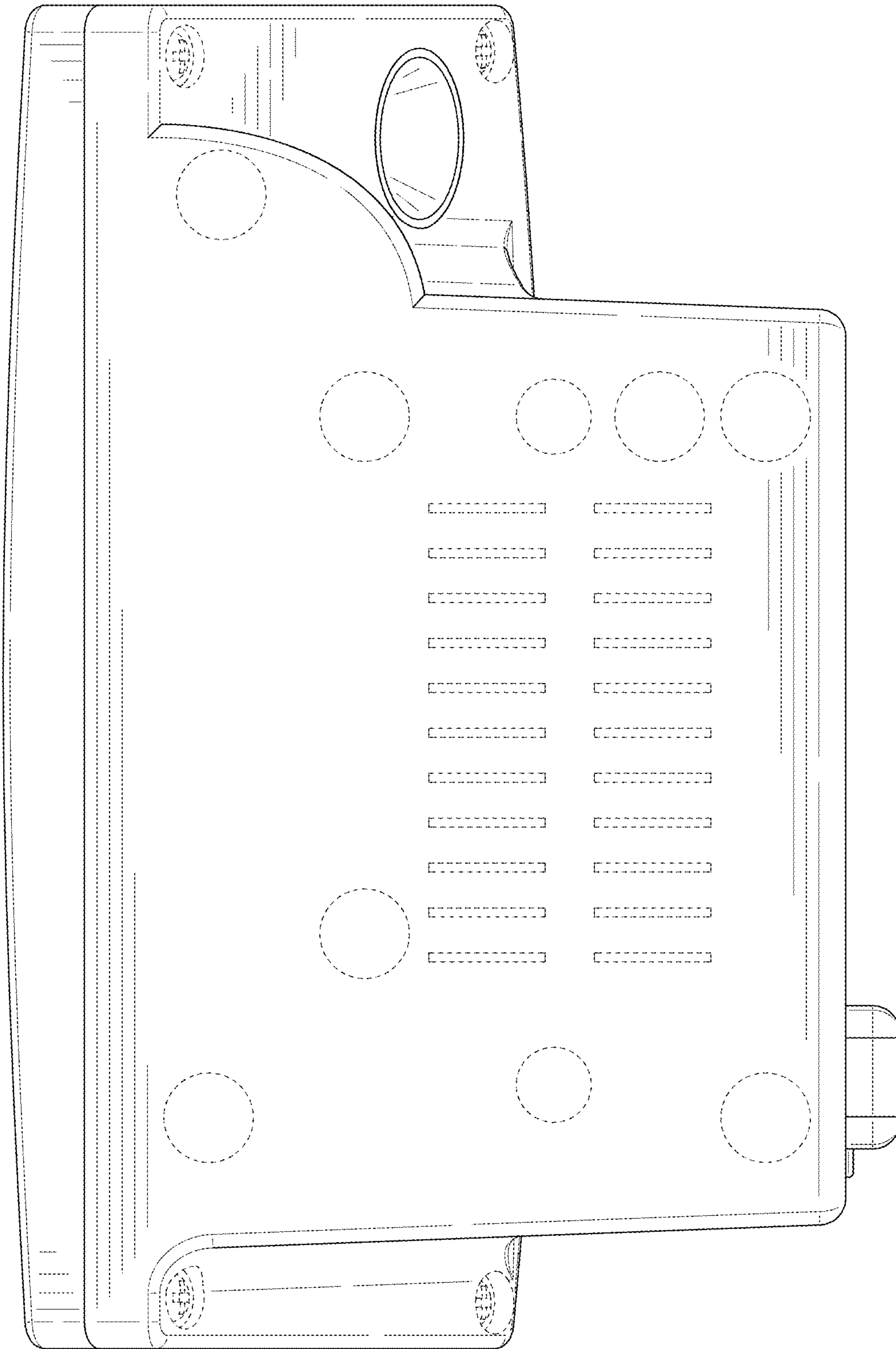


FIG. 8