



US00D959054S

(12) **United States Design Patent**  
**Boatman-Tate**

(10) **Patent No.:** **US D959,054 S**

(45) **Date of Patent:** **\*\* Jul. 26, 2022**

(54) **RING FINGER HAIR STYLING COMB**

D748,855 S \* 2/2016 Hightower ..... A45D 24/00  
D28/21

(71) Applicant: **Wyconnda T Boatman-Tate**, Chicago, IL (US)

D794,249 S 8/2017 Hou  
D815,774 S 4/2018 Mercier  
2021/0196022 A1\* 7/2021 Boatman-Tate ..... A45D 24/14

(72) Inventor: **Wyconnda T Boatman-Tate**, Chicago, IL (US)

\* cited by examiner

(\*\*) Term: **15 Years**

*Primary Examiner* — Zenia I Bennett

(74) *Attorney, Agent, or Firm* — MBIP Law, LLC;  
Maheen Baber

(21) Appl. No.: **29/750,501**

(22) Filed: **Sep. 14, 2020**

(57) **CLAIM**

(51) **LOC (13) Cl.** ..... **28-03**

The ornamental design for a ring finger hair styling comb, as shown and described.

(52) **U.S. Cl.**

USPC ..... **D28/25**; D28/29

(58) **Field of Classification Search**

USPC ..... D28/7, 20–34; D30/158, 159  
CPC ..... A45D 24/00; A45D 24/005; A45D 24/02;  
A45D 24/04; A45D 24/06; A45D 24/14;  
A45D 24/22

See application file for complete search history.

**DESCRIPTION**

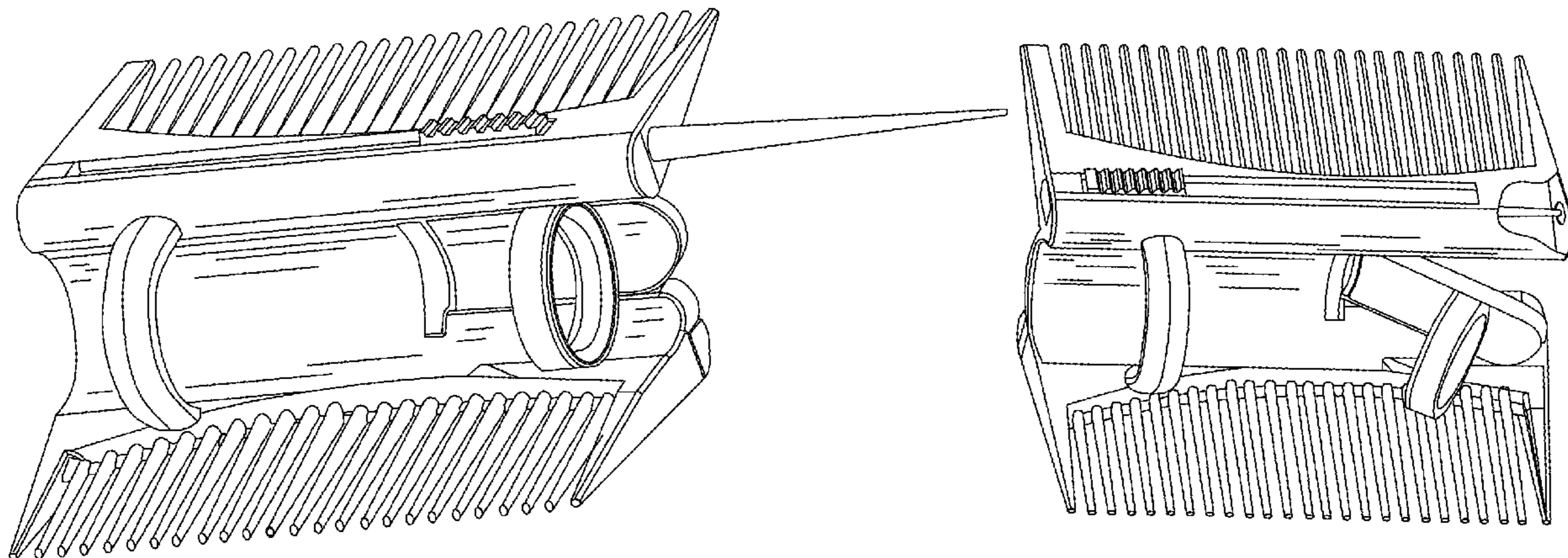
FIG. 1 is a top perspective view of a ring figure hair styling comb of my new invention in a first position;  
FIG. 2 is a bottom perspective view of the invention in the first position;  
FIG. 3 is a front perspective view of the invention in the first position;  
FIG. 4 is a top perspective view of the ring finger hair styling comb with the parting tool retracted;  
FIG. 5 is a bottom perspective view of FIG. 4;  
FIG. 6 is a front perspective view thereof;  
FIG. 7 is a front perspective view of the ring finger hair styling comb with the parting tool extended and the finger holder in a bent position; and,  
FIG. 8 is a front perspective view of the ring finger hair styling comb with the parting tool retracted and the finger holder in a bent position.

(56) **References Cited**

U.S. PATENT DOCUMENTS

D177,613 S *	5/1956	Chiariello	.....	D28/26
3,696,823 A *	10/1972	Dannat	.....	A45D 24/02 132/122
D246,539 S *	11/1977	Nizetich	.....	D28/18
5,335,390 A	8/1994	Chen		
D372,336 S	7/1996	Kip		
D599,954 S	9/2009	Micheals		
D646,434 S *	10/2011	Libman	.....	D28/33
D648,072 S *	11/2011	Freeman	.....	D28/21
D702,877 S	4/2014	Sai		
D714,491 S *	9/2014	Du	.....	A45D 24/00 D28/25

**1 Claim, 4 Drawing Sheets**



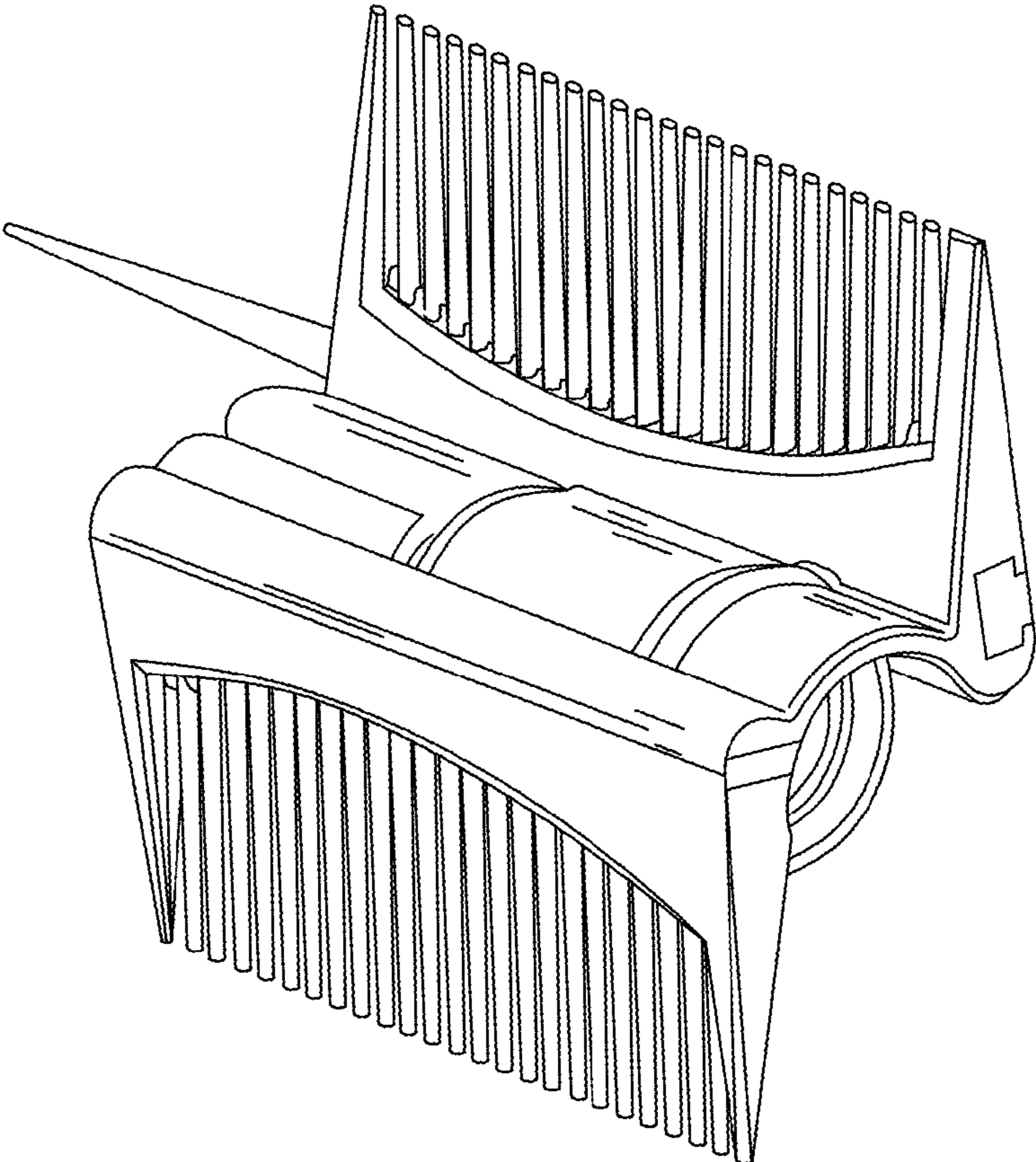


Fig. 1

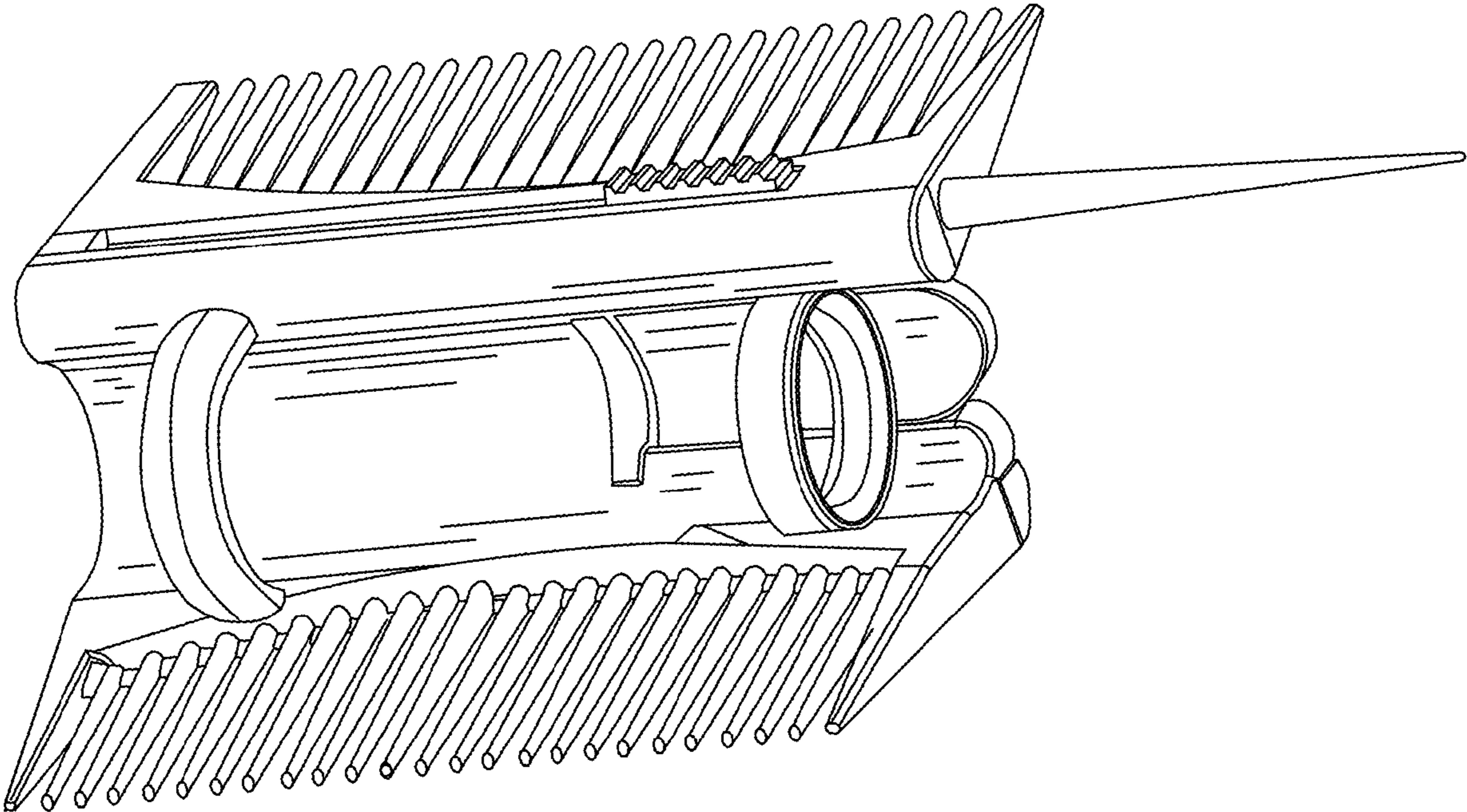


Fig. 2

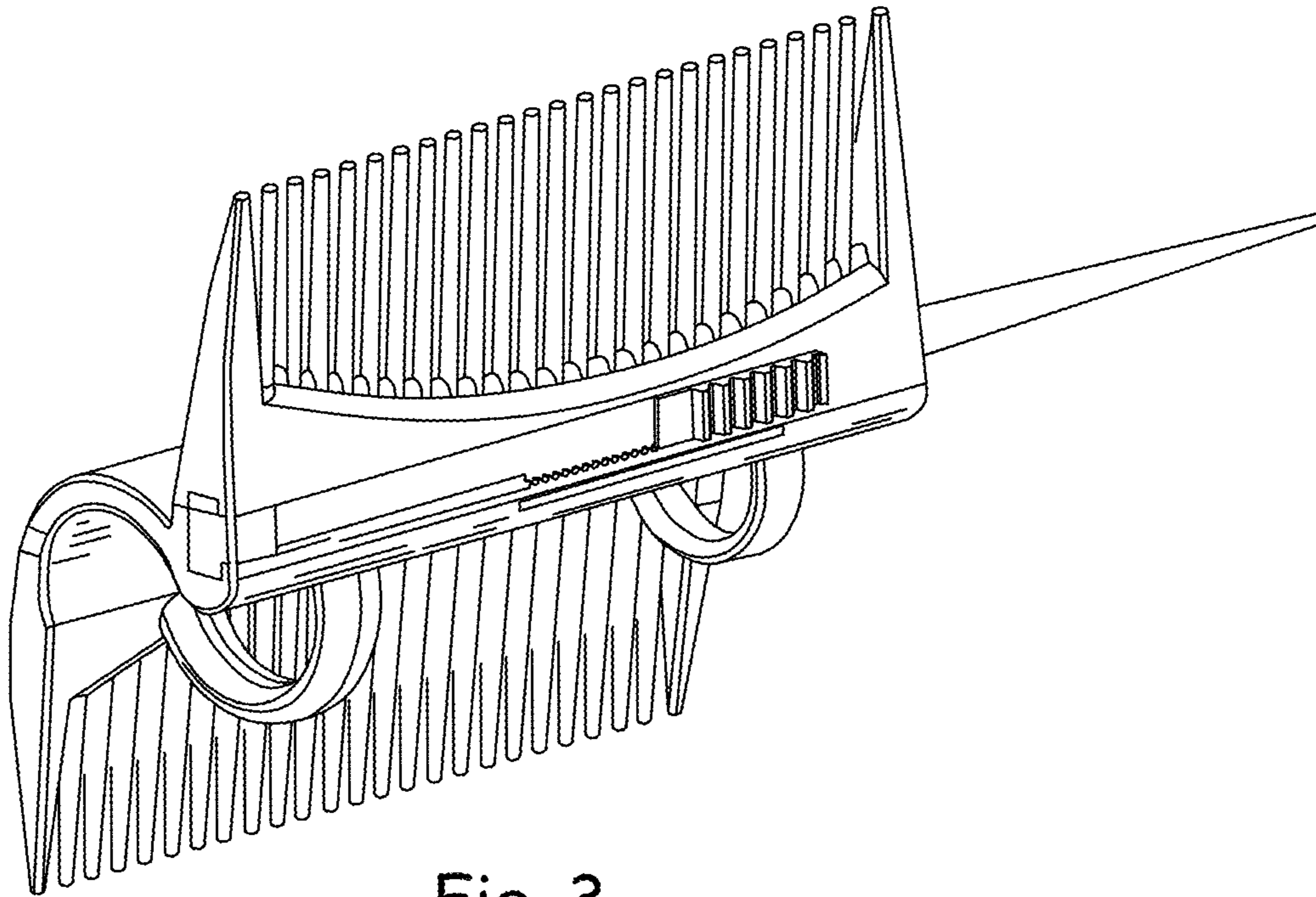


Fig. 3

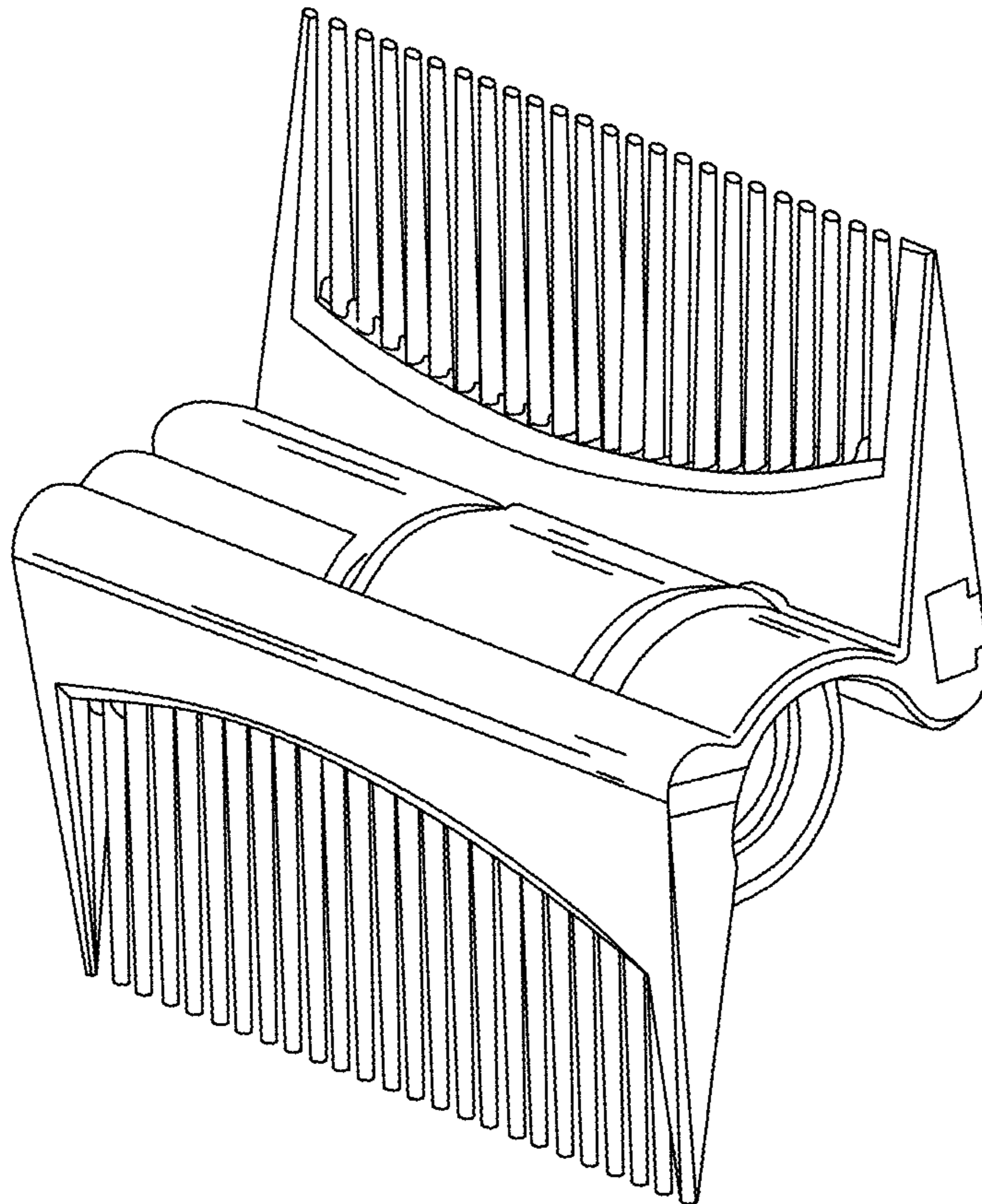


Fig. 4

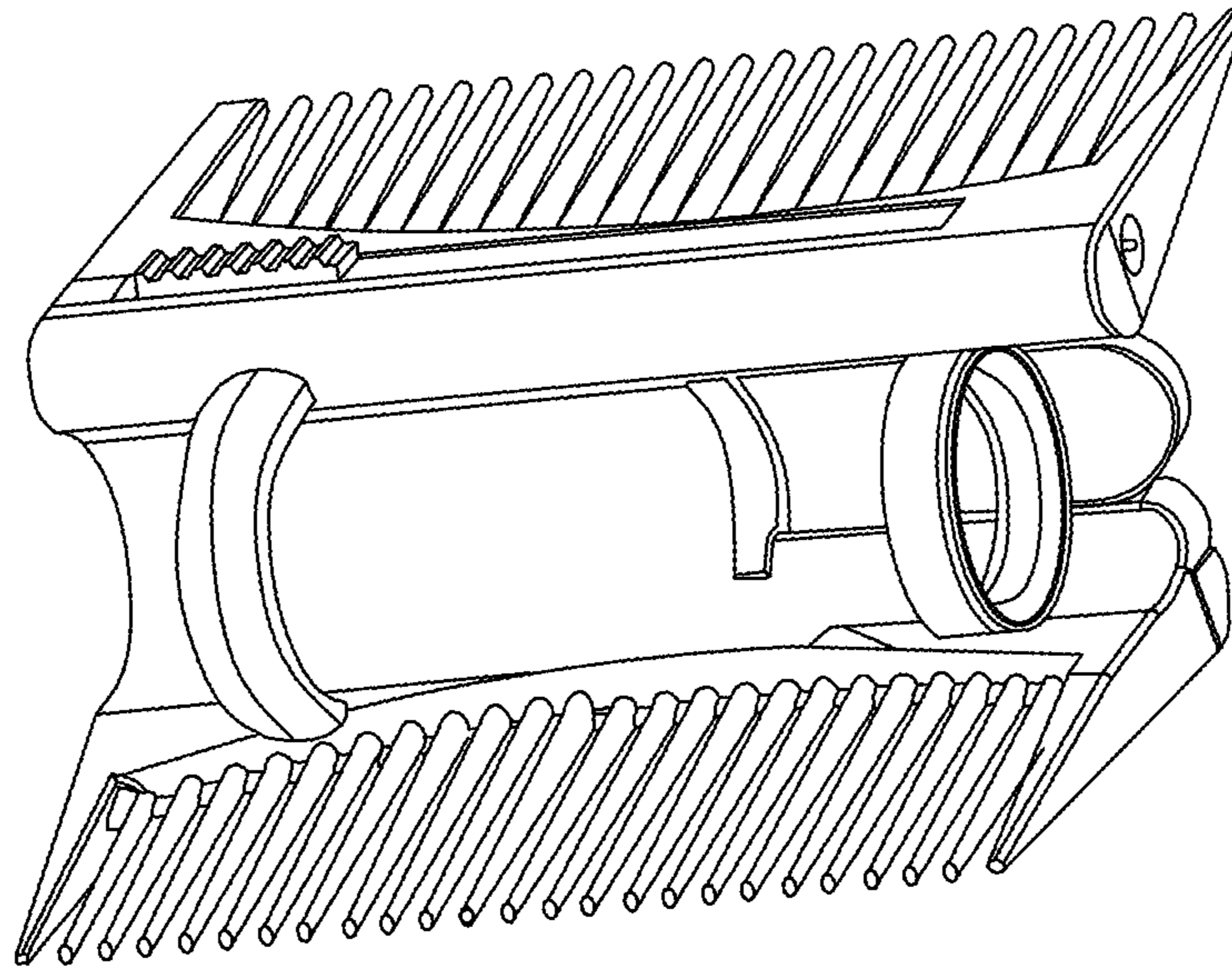


Fig. 5

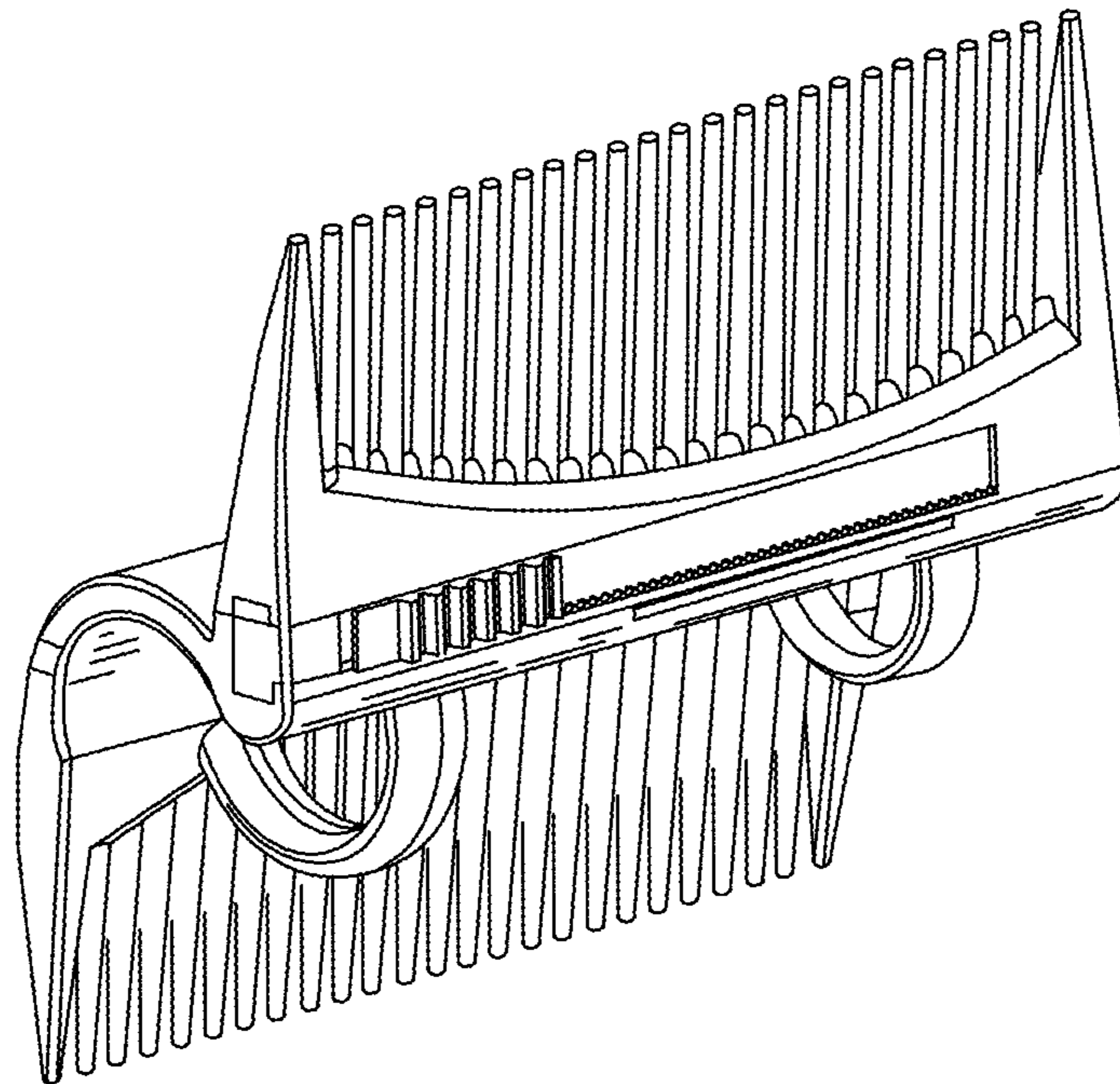


Fig. 6

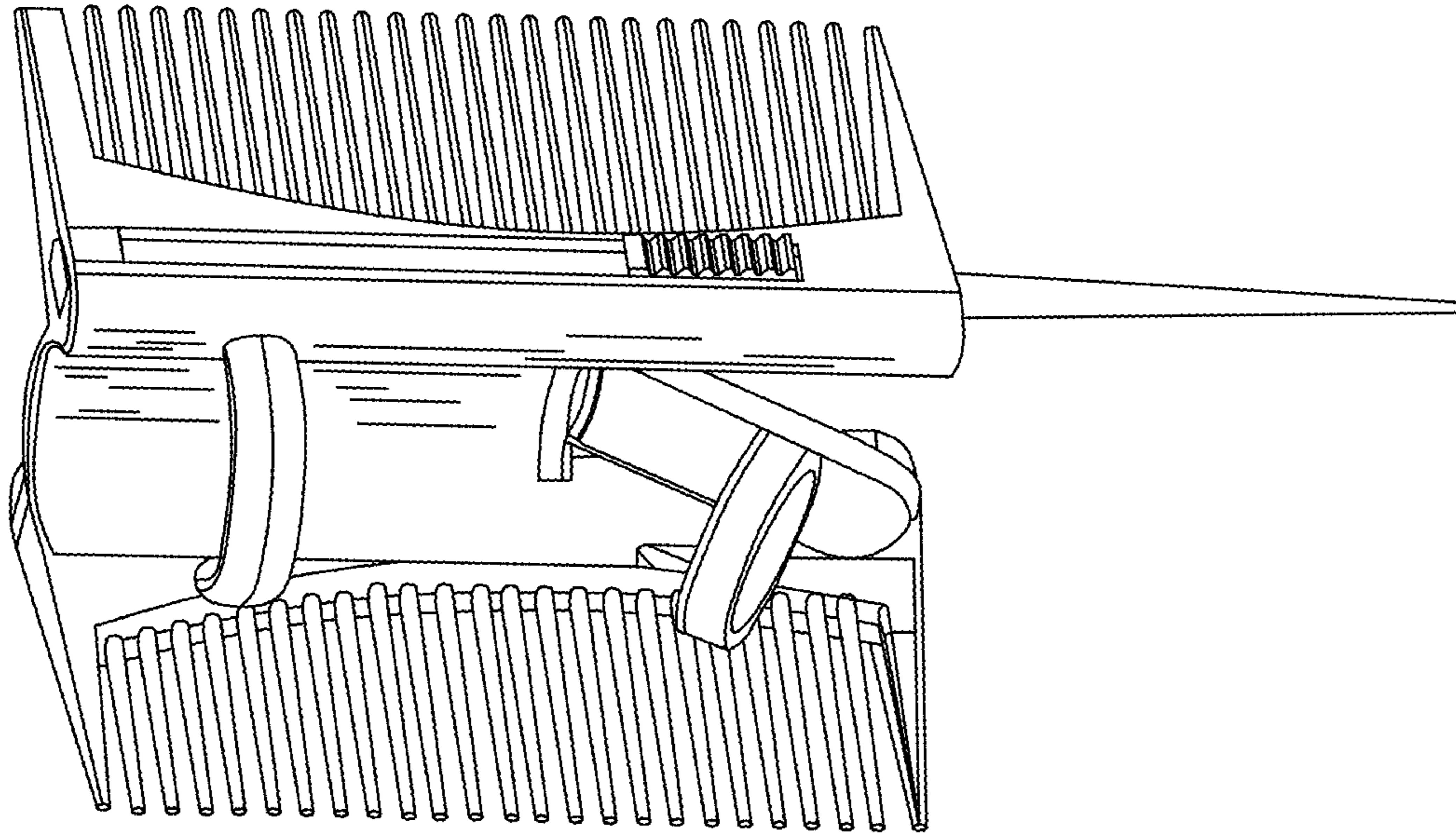


Fig. 7

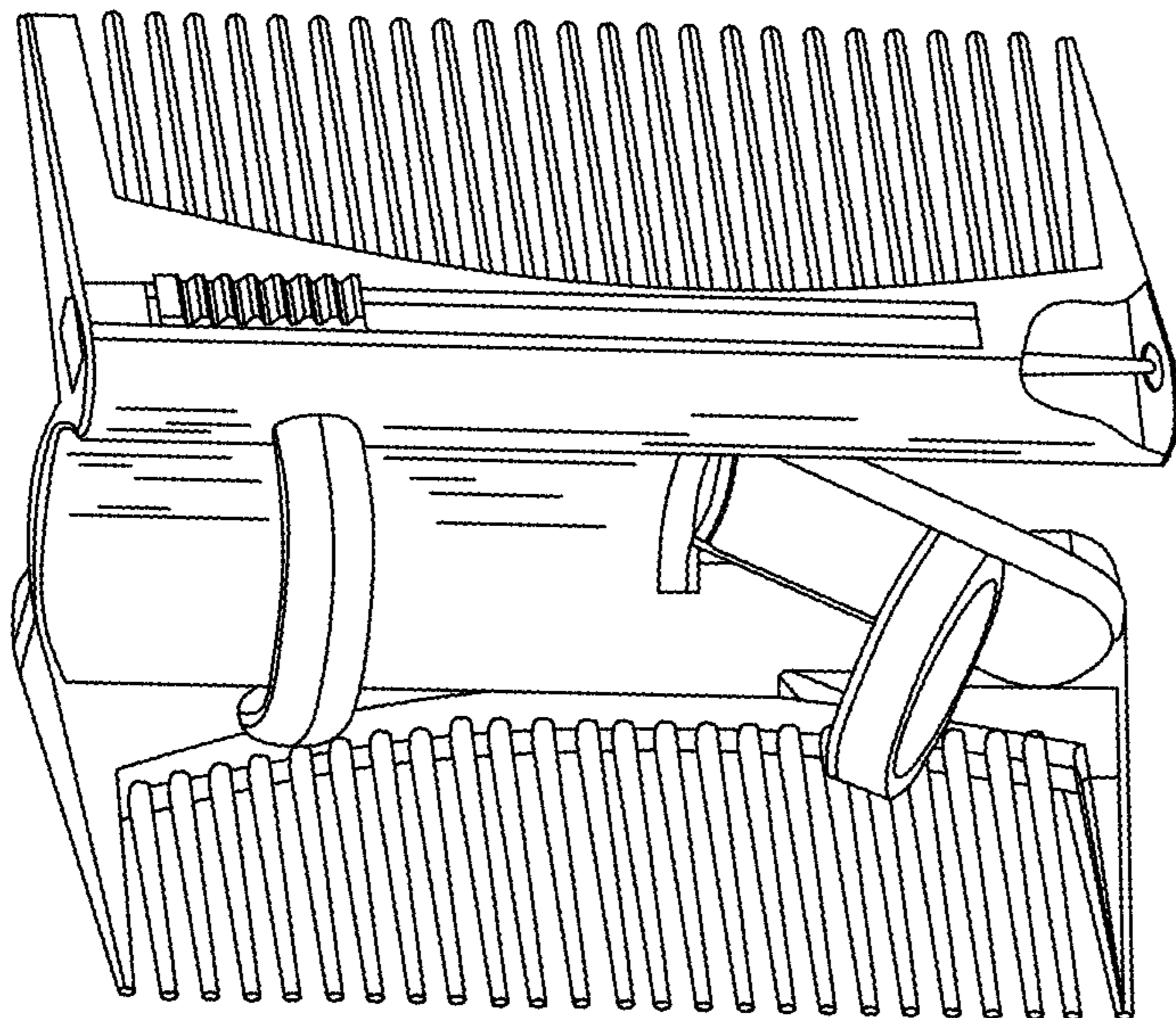


Fig. 8