



US00D959053S

(12) **United States Design Patent**
Ragosta et al.

(10) **Patent No.:** **US D959,053 S**
(45) **Date of Patent:** **** Jul. 26, 2022**

(54) **HAIR STYLING APPARATUS**

FOREIGN PATENT DOCUMENTS

(71) Applicant: **M. M. & R. Products, Inc.**, Ventura, CA (US)

EP 1 587 392 B1 ‡ 9/2007 A45D 20/122
FR 2888095 A1 ‡ 12/2007 A45D 2/002
(Continued)

(72) Inventors: **Michael A. Ragosta**, Ventura, CA (US);
David Richmond, Culver City, CA (US); **Greg Thüne**, Los Angeles, CA (US)

OTHER PUBLICATIONS

International Search Report dated Jan. 31, 2014, for application No. PCT/US2013/056427, filed Aug. 23, 2013, 8 pages.‡

(73) Assignee: **M. M. & R. Products, Inc.**, Ventura, CA (US)

Primary Examiner — Rebecca Tsehaye

(74) *Attorney, Agent, or Firm* — Laura M. King; Matrix Law Group, LLP

(**) Term: **15 Years**

(57) **CLAIM**

(21) Appl. No.: **29/754,085**

The ornamental design for a hair styling apparatus, as shown and described.

(22) Filed: **Oct. 6, 2020**

DESCRIPTION

Related U.S. Application Data

(63) Continuation-in-part of application No. 29/639,936, filed on Mar. 9, 2018, now Pat. No. Des. 900,391.

(51) **LOC (13) Cl.** **28-03**

(52) **U.S. Cl.**
USPC **D28/18**

(58) **Field of Classification Search**
USPC D28/18, 10, 12–17, 24, 28, 30, 35;
D4/100, 116, 130, 132–134, 136
(Continued)

FIG. 1 is a front, top, and left side perspective view of the hair styling apparatus shown removed from environment; FIG. 2 is a top plan view thereof; FIG. 3 is a bottom plan view thereof; FIG. 4 is a left side elevation view thereof; FIG. 5 is a front elevation view thereof; FIG. 6 is a rear elevation view thereof; FIG. 7 is a bottom and left side perspective view thereof; FIG. 8 is a rear, top, and left side perspective view thereof; FIG. 9 is a front, top, and left side perspective view of the hair styling apparatus shown in an environment of use; FIG. 10 is a top plan view thereof; FIG. 11 is a bottom plan view thereof; FIG. 12 is a left side elevation view thereof; FIG. 13 is a front elevation view thereof; FIG. 14 is a rear elevation view thereof; FIG. 15 is a bottom and left side perspective view thereof; and, FIG. 16 is a rear, top, and left side perspective view thereof. The broken lines in the drawings depict portions of the hair styling apparatus that form no part of the claimed design.

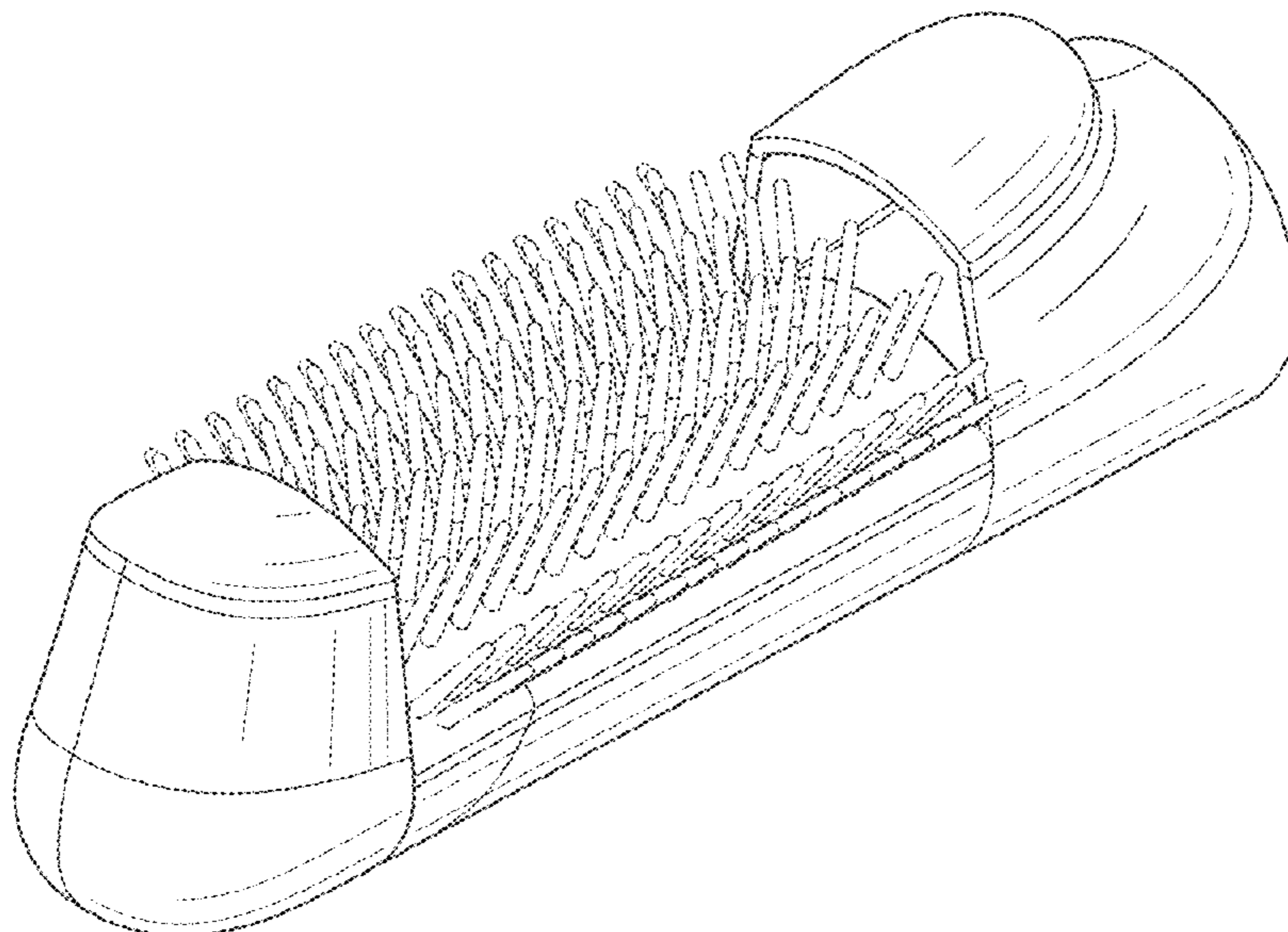
(56) **References Cited**

U.S. PATENT DOCUMENTS

3,563,250 A ‡ 2/1971 DeFalandre A45D 20/50
132/11
3,939,850 A ‡ 2/1976 Wahl A45D 20/50
132/14

(Continued)

1 Claim, 9 Drawing Sheets



(58) **Field of Classification Search**
 CPC A45D 20/48; A45D 20/50; A45D 20/52;
 A45D 20/10; A45D 20/12; A45D 20/04;
 A45D 20/08; A45D 20/00; A45D
 2020/128
 See application file for complete search history.

(56) **References Cited**
 U.S. PATENT DOCUMENTS

4,205,221 A † 5/1980 Meyer B23K 1/012
 219/23
 D256,846 S * 9/1980 Haase D28/13
 D263,001 S * 2/1982 Wistrand D28/13
 4,538,362 A † 9/1985 Andis A45D 20/122
 34/101
 4,629,863 A † 12/1986 Giordano A45D 20/122
 132/21
 D299,976 S * 2/1989 Elkerbout D28/13
 5,316,025 A † 5/1994 Sahm A45D 7/00
 132/21
 D386,816 S † 11/1997 Seifert D28/18
 5,894,849 A † 4/1999 Ehlhardt A45D 20/50
 132/27
 D409,796 S † 5/1999 Moreno D28/18
 D411,333 S * 6/1999 Smal D28/35
 5,956,863 A † 9/1999 Allen A45D 20/122
 34/96
 D426,674 S † 6/2000 Kwong D28/18
 6,199,295 B1 † 3/2001 Smal A45D 20/122
 34/98
 D440,354 S † 4/2001 Kwong D28/18
 D441,137 S * 4/2001 McCurrach D28/13
 D448,115 S † 9/2001 White D28/18
 D465,611 S † 11/2002 Tobin D28/18
 D476,443 S * 6/2003 Ohta D28/18
 D477,149 S * 7/2003 Hay D4/130
 7,152,610 B2 † 12/2006 Csavas A45D 2/002
 132/27
 D556,948 S † 12/2007 Leung D28/35
 D562,006 S * 2/2008 Liu D4/130
 7,481,228 B2 † 1/2009 Ragosta A45D 1/04
 132/23

7,631,646 B2 † 1/2009 Ragosta A46B 7/023
 132/23
 D599,954 S * 9/2009 Michaels D28/30
 D650,942 S † 12/2011 Choi D28/35
 D656,739 S † 4/2012 Edmondson D4/128
 D678,609 S † 3/2013 Ragosta D28/35
 8,881,423 B2 † 11/2014 Ragosta A45D 20/00
 34/283
 D732,737 S * 6/2015 Kaizuka D28/35
 D776,345 S † 1/2017 Tang D28/13
 D804,828 S † 12/2017 Gulamani D4/133
 D807,646 S † 1/2018 Renette D4/128
 10,028,574 B2 † 7/2018 Renette A46B 9/023
 10,085,537 B2 † 10/2018 Maclaine A46B 9/023
 D848,063 S * 5/2019 Tappenden D28/18
 D848,066 S * 5/2019 Coulton D28/18
 D865,285 S * 10/2019 Liao D28/13
 D885,661 S † 5/2020 Kan D28/13
 D885,662 S † 5/2020 Kan D28/13
 D885,663 S † 5/2020 Flynn D28/13
 D885,664 S * 5/2020 Dyson D28/18
 D900,391 S * 10/2020 Ragosta D28/18
 D906,678 S * 1/2021 Ge D4/100
 2002/0189128 A1 † 12/2002 Nakagawa A45D 20/12
 34/96
 2003/0052115 A1 † 3/2003 Leung A45D 20/50
 219/222
 2005/0257395 A1 † 11/2005 Keong A45D 20/122
 34/98
 2009/0126757 A1 † 5/2009 Marino A45D 1/04
 132/211
 2011/0277335 A1 † 11/2011 Prehodka A45D 20/12
 34/96
 2012/0291301 A1 † 11/2012 Silva A45D 20/24
 34/98
 2012/0311882 A1 † 12/2012 Yoe A45D 20/12
 34/98

FOREIGN PATENT DOCUMENTS

WO WO2007003795 A2 † 1/2007 A45D 2/002
 WO WO2011094830 A1 † 8/2011 A45D 20/24

* cited by examiner
 † imported from a related application

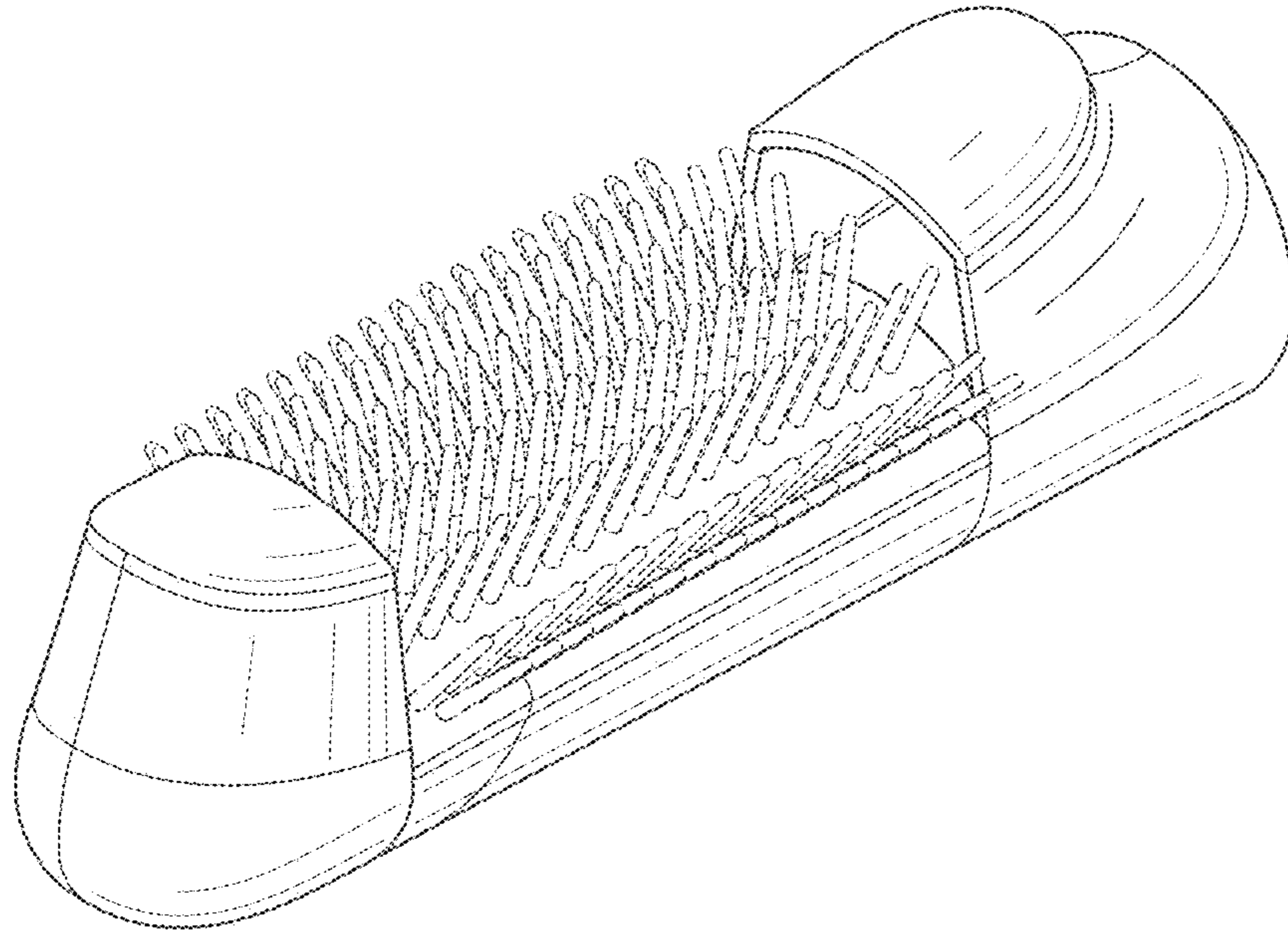


FIG. 1

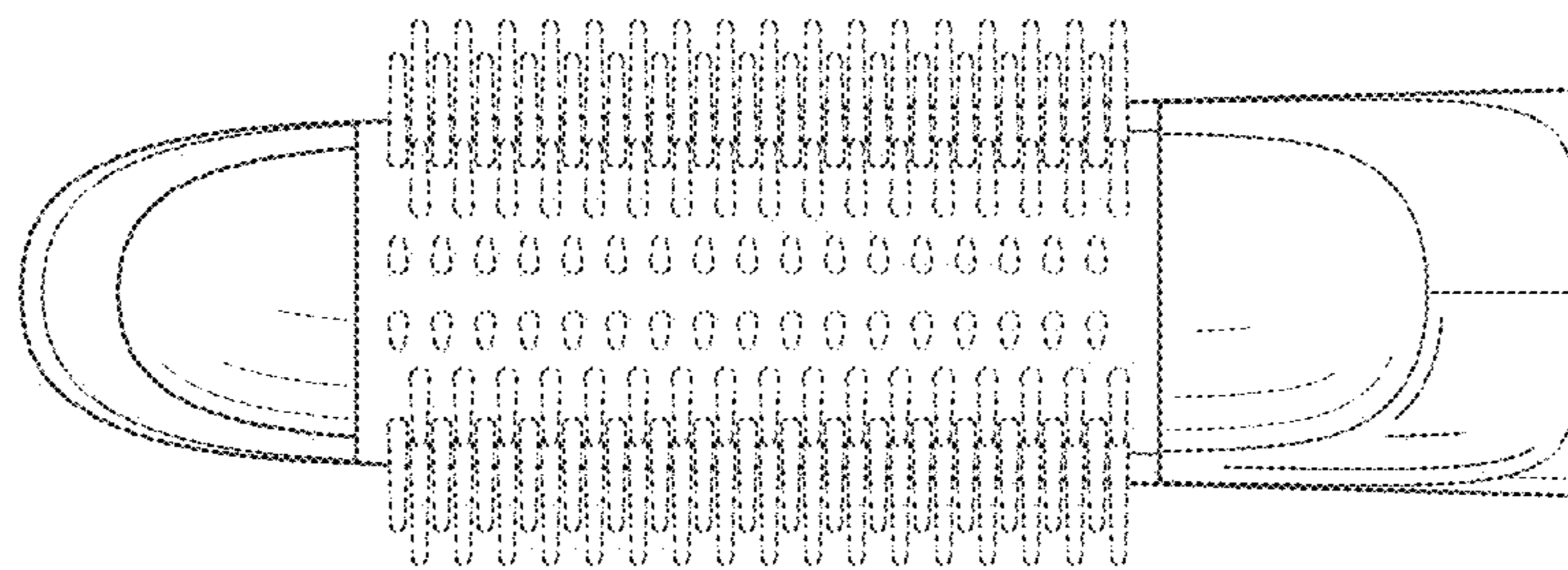


FIG. 2

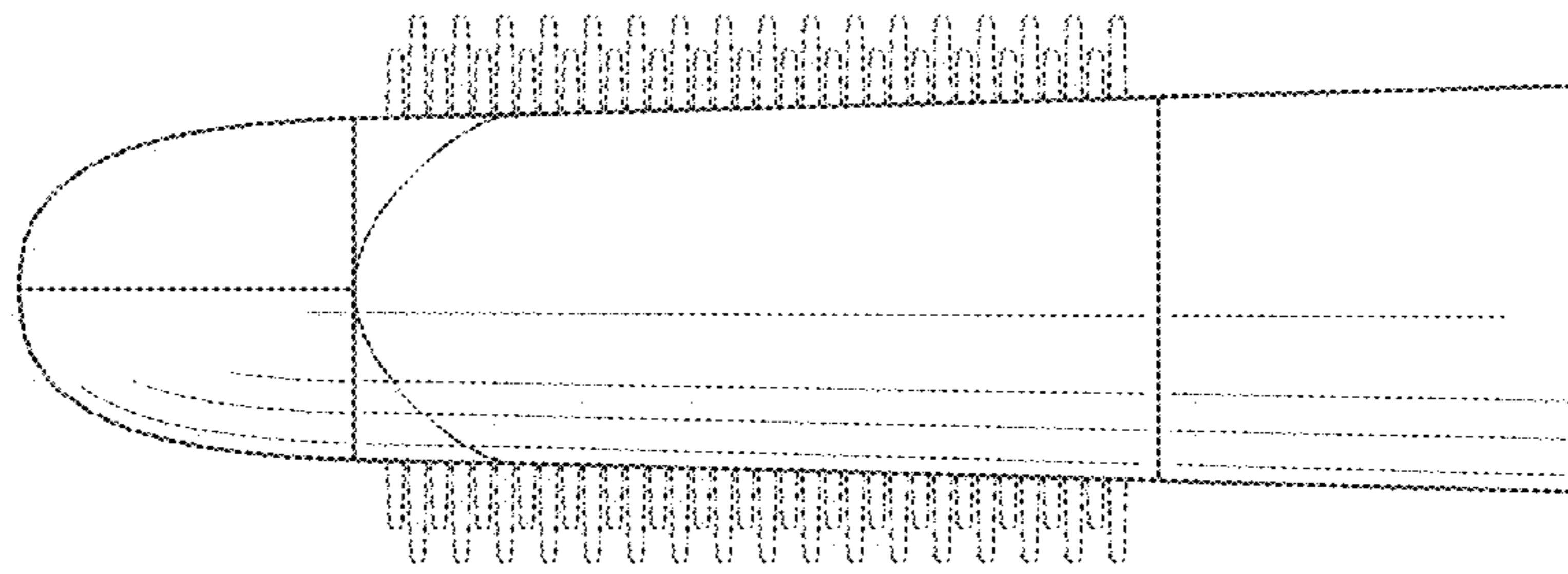


FIG. 3

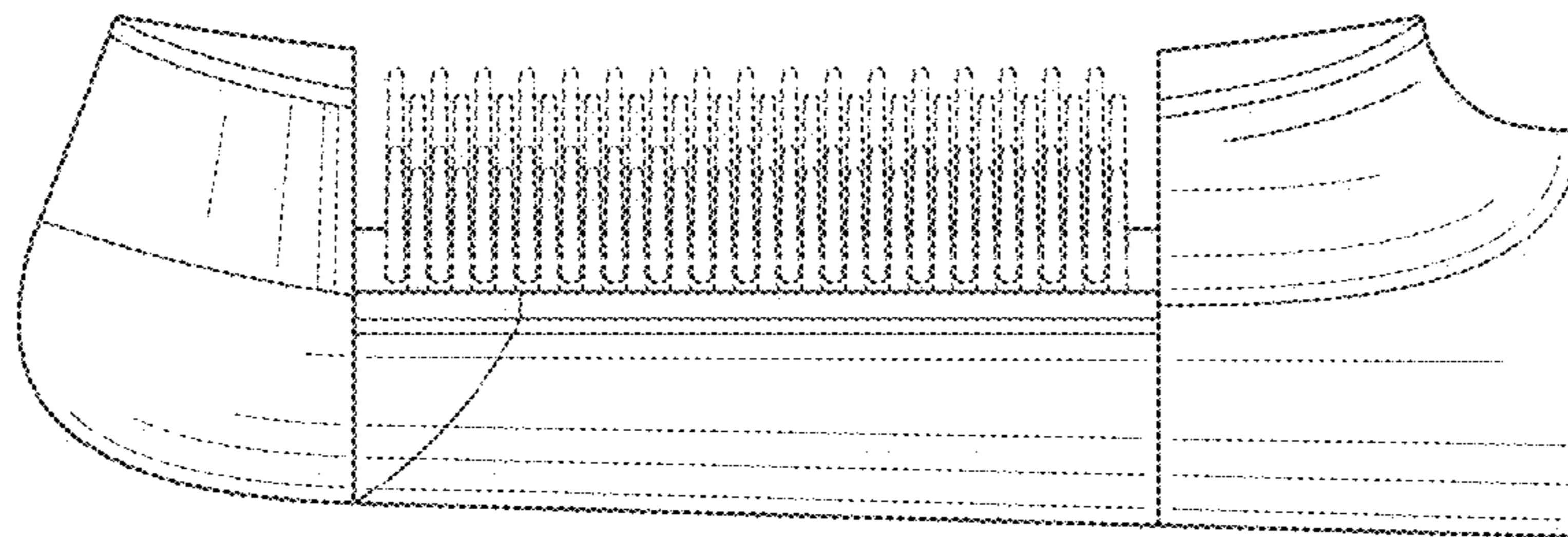


FIG. 4

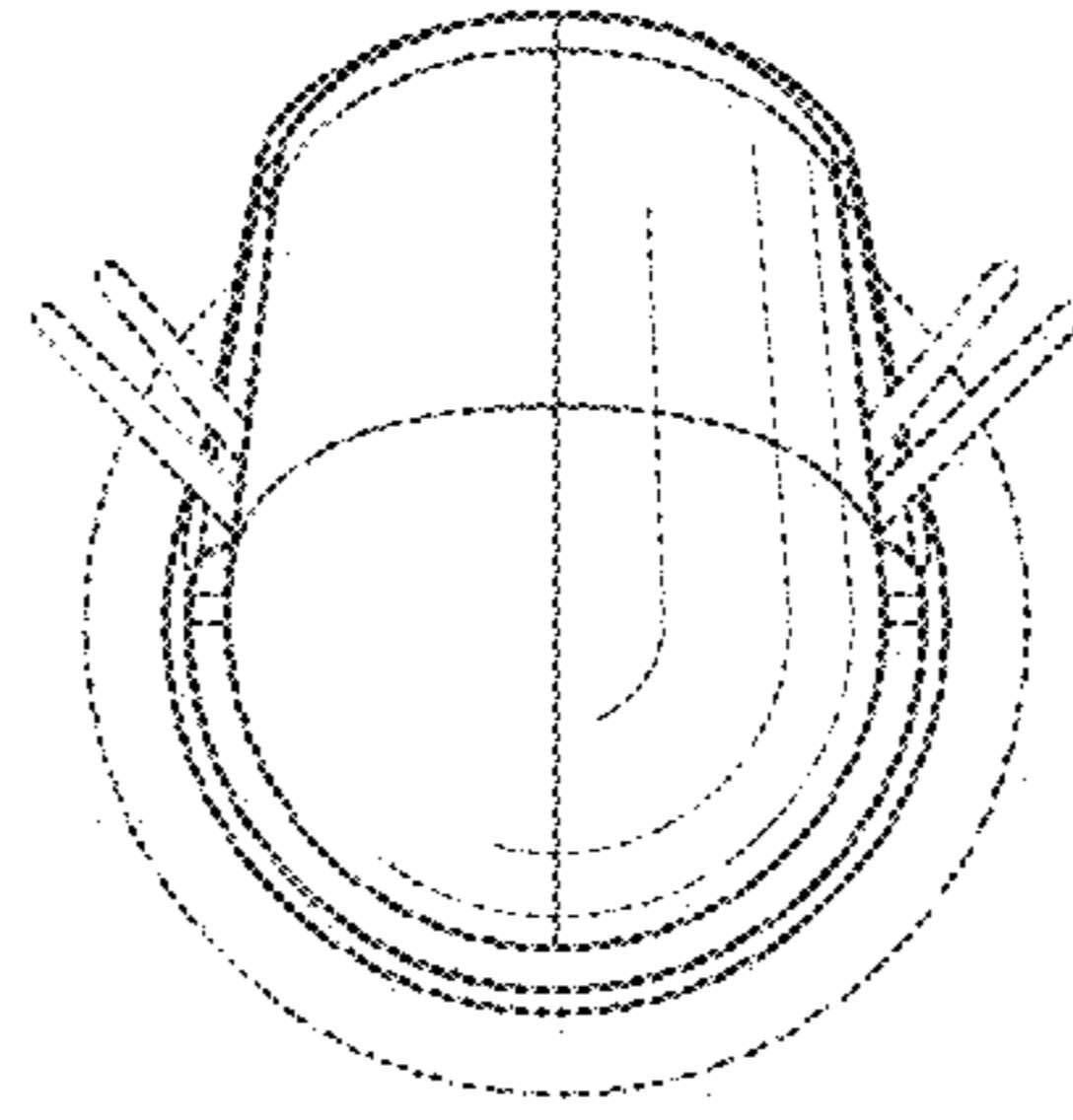


FIG. 5

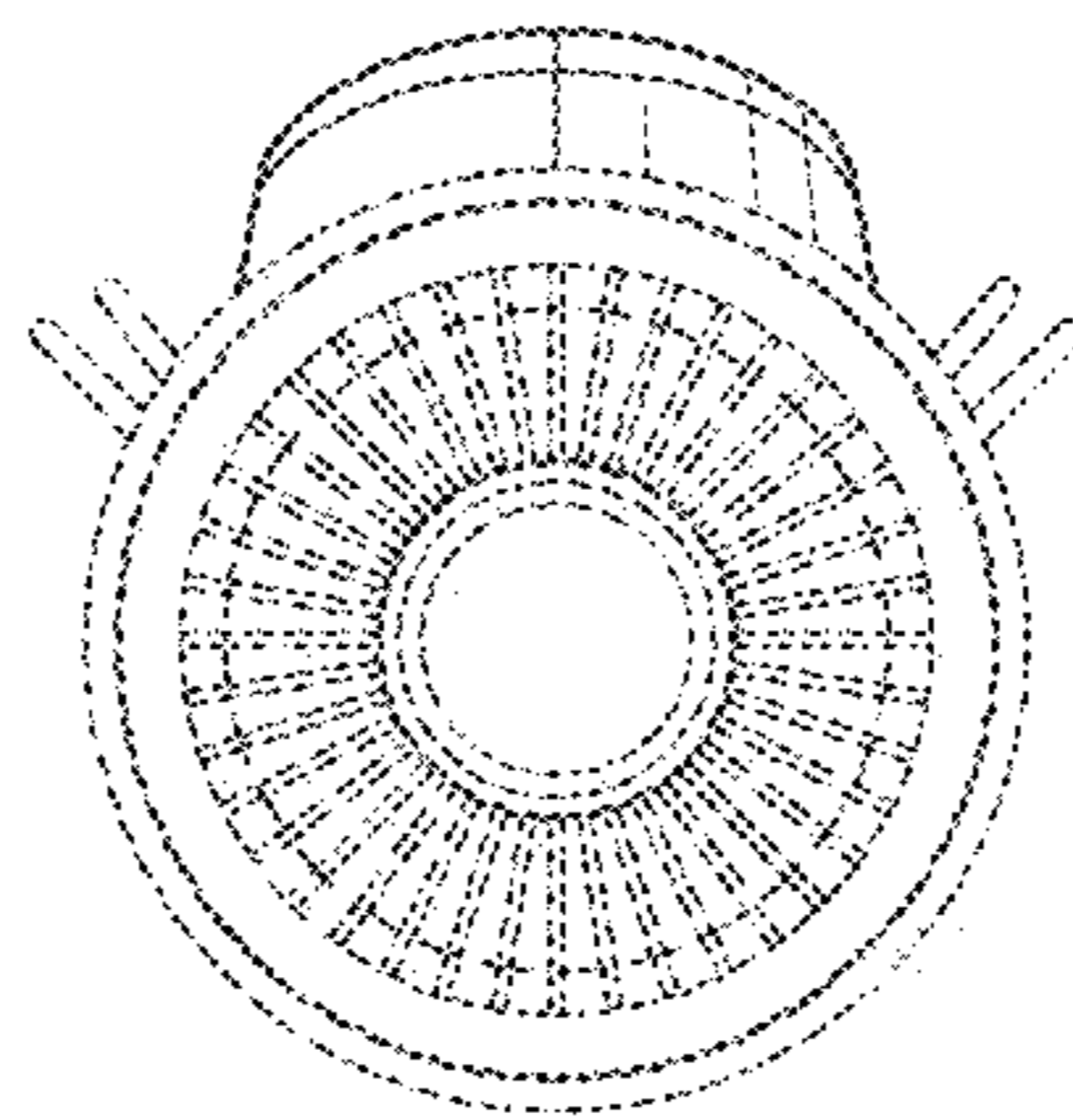


FIG. 6

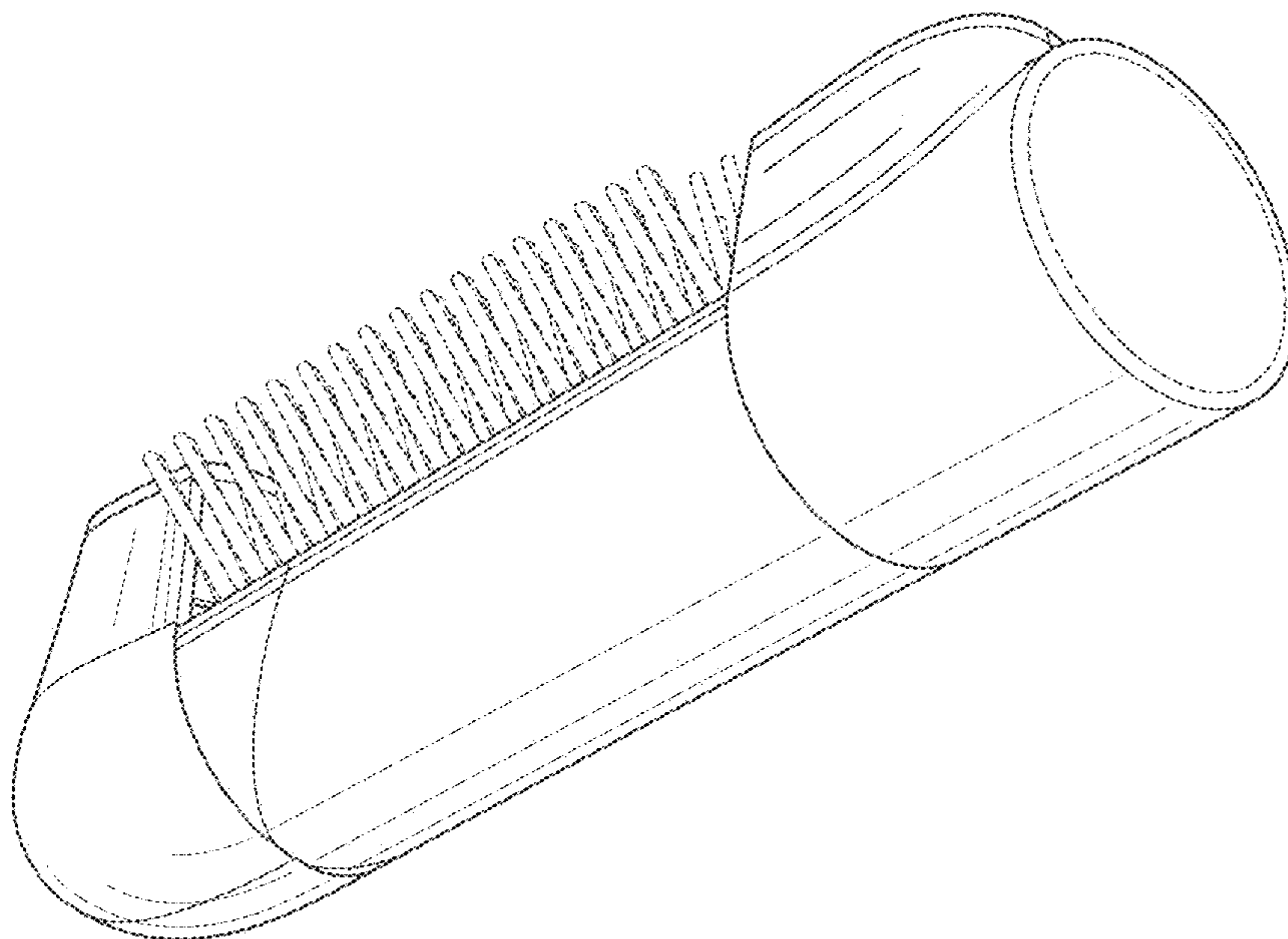


FIG. 7

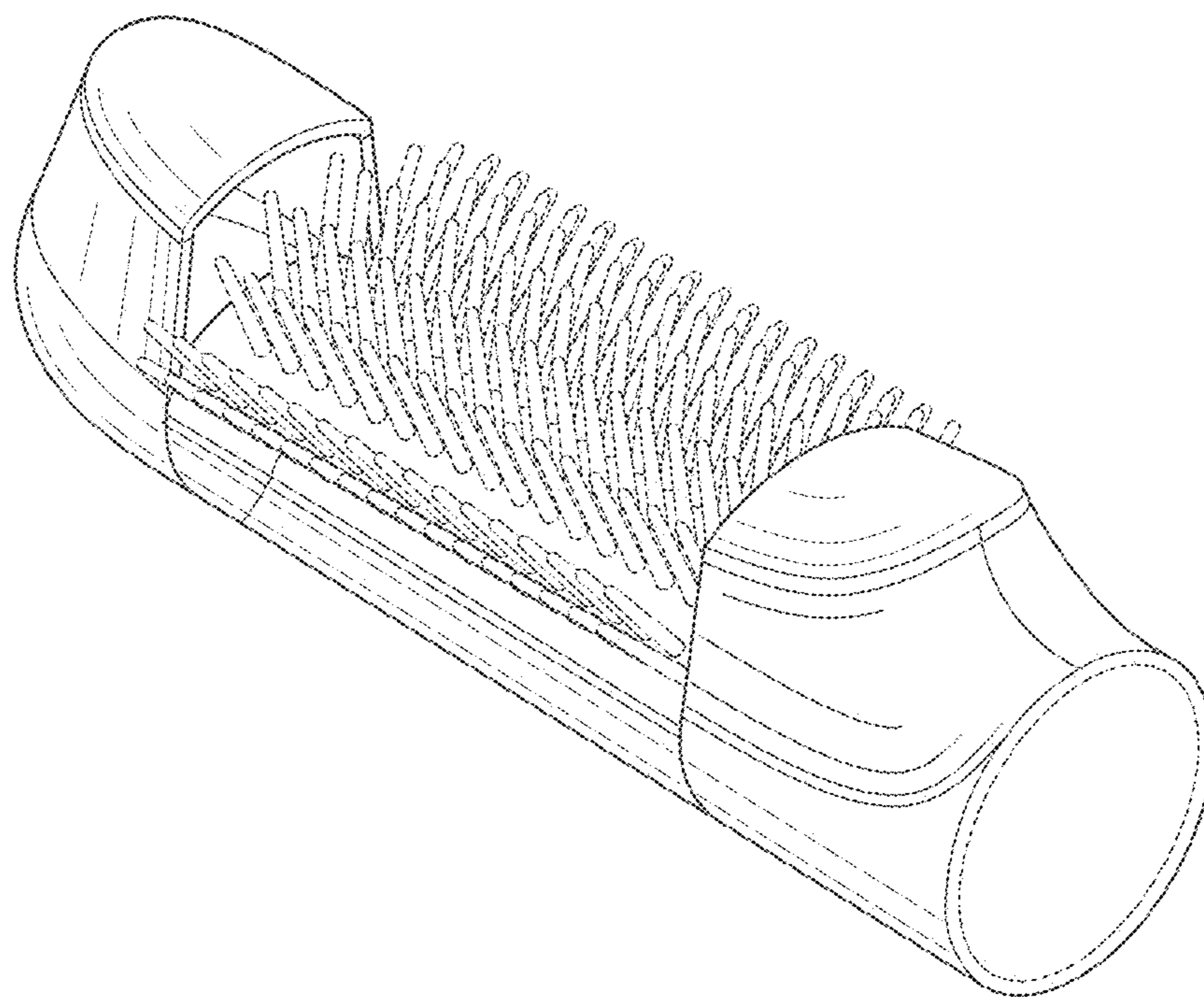


FIG. 8

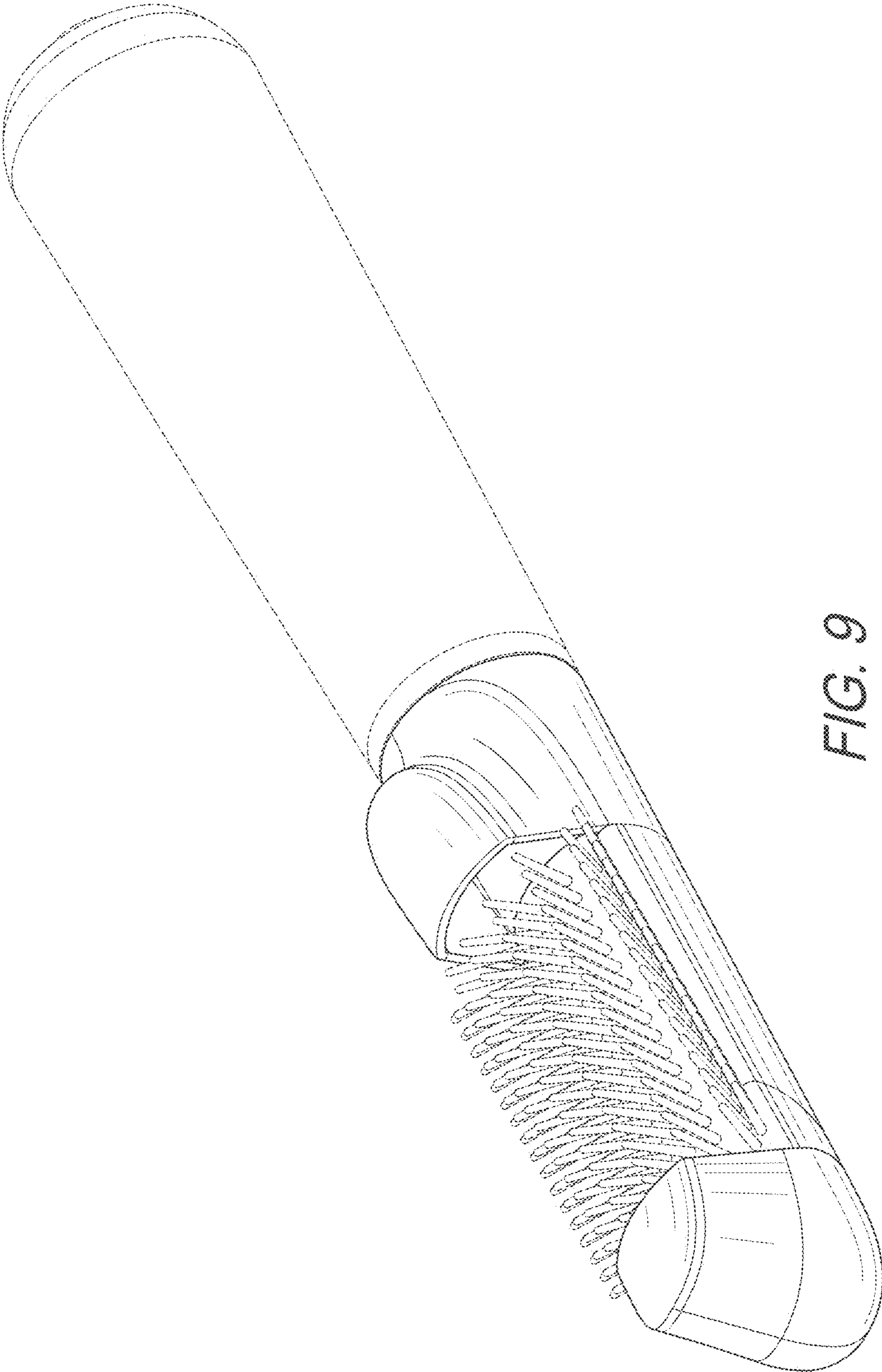


FIG. 9

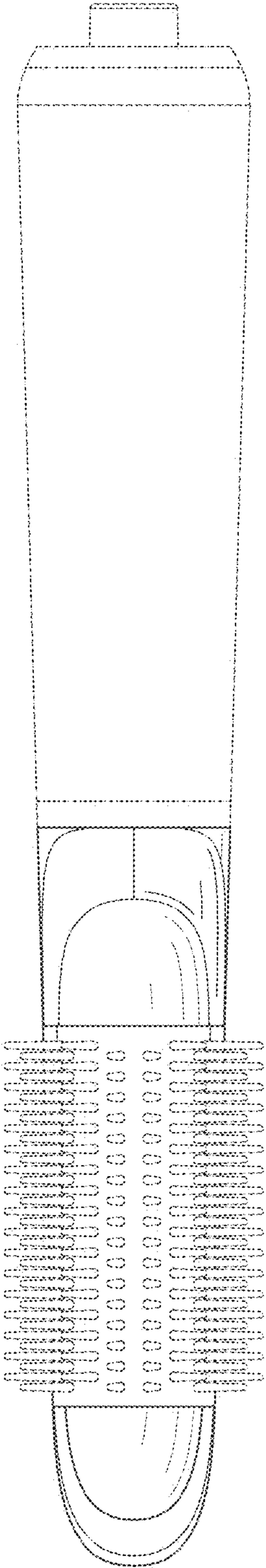


FIG. 10

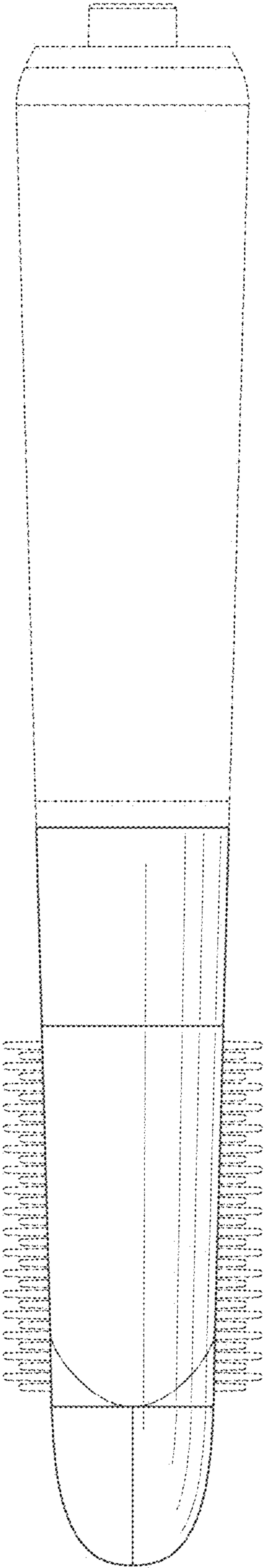


FIG. 11

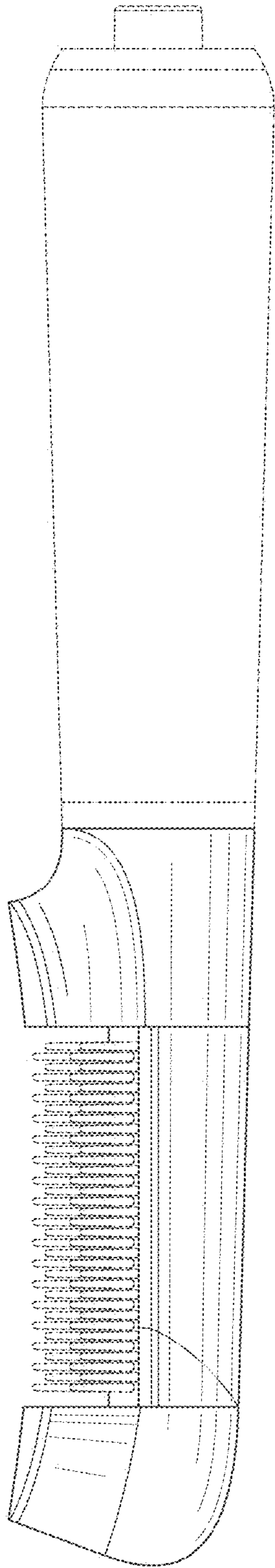


FIG. 12

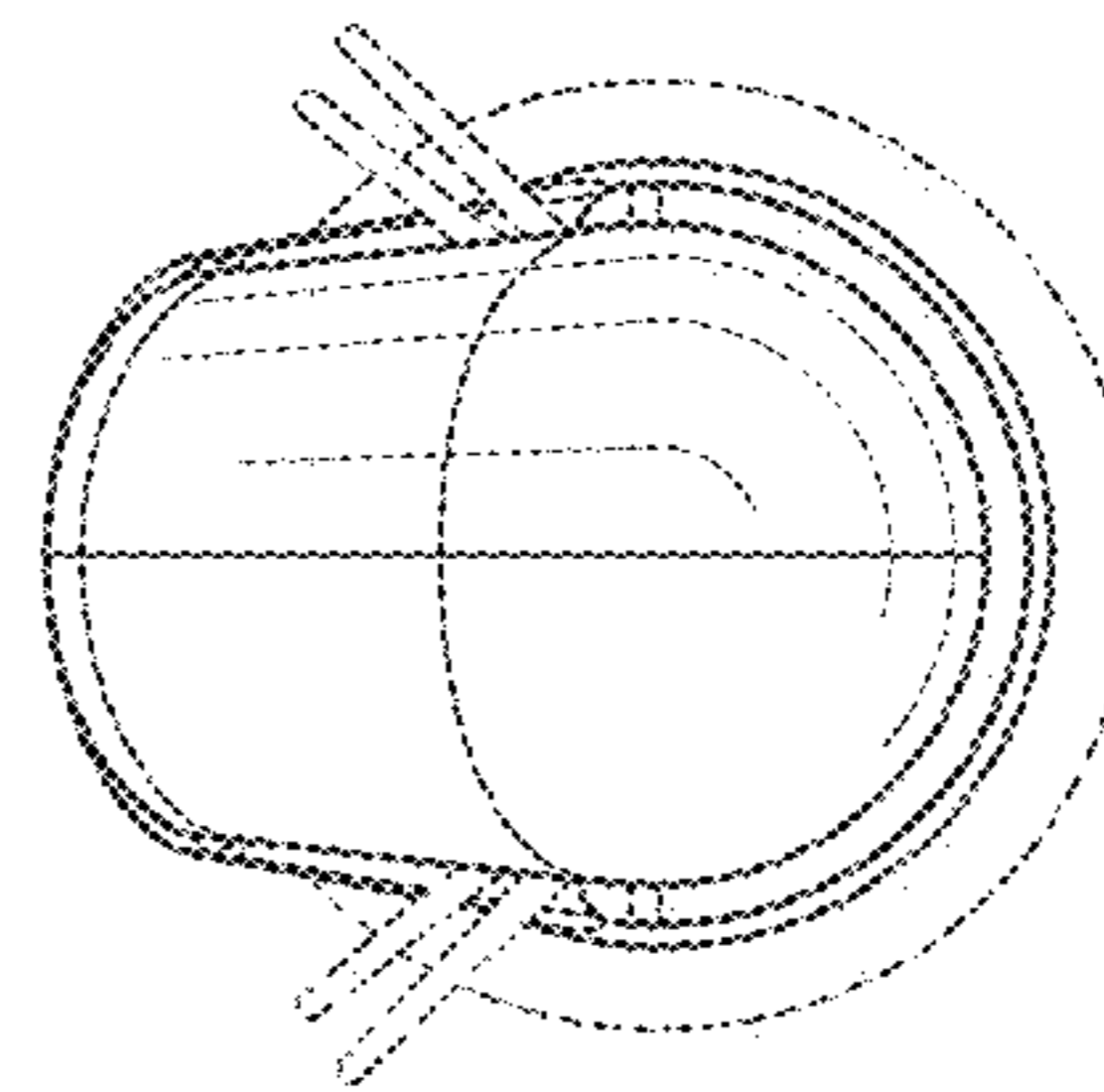


FIG. 13

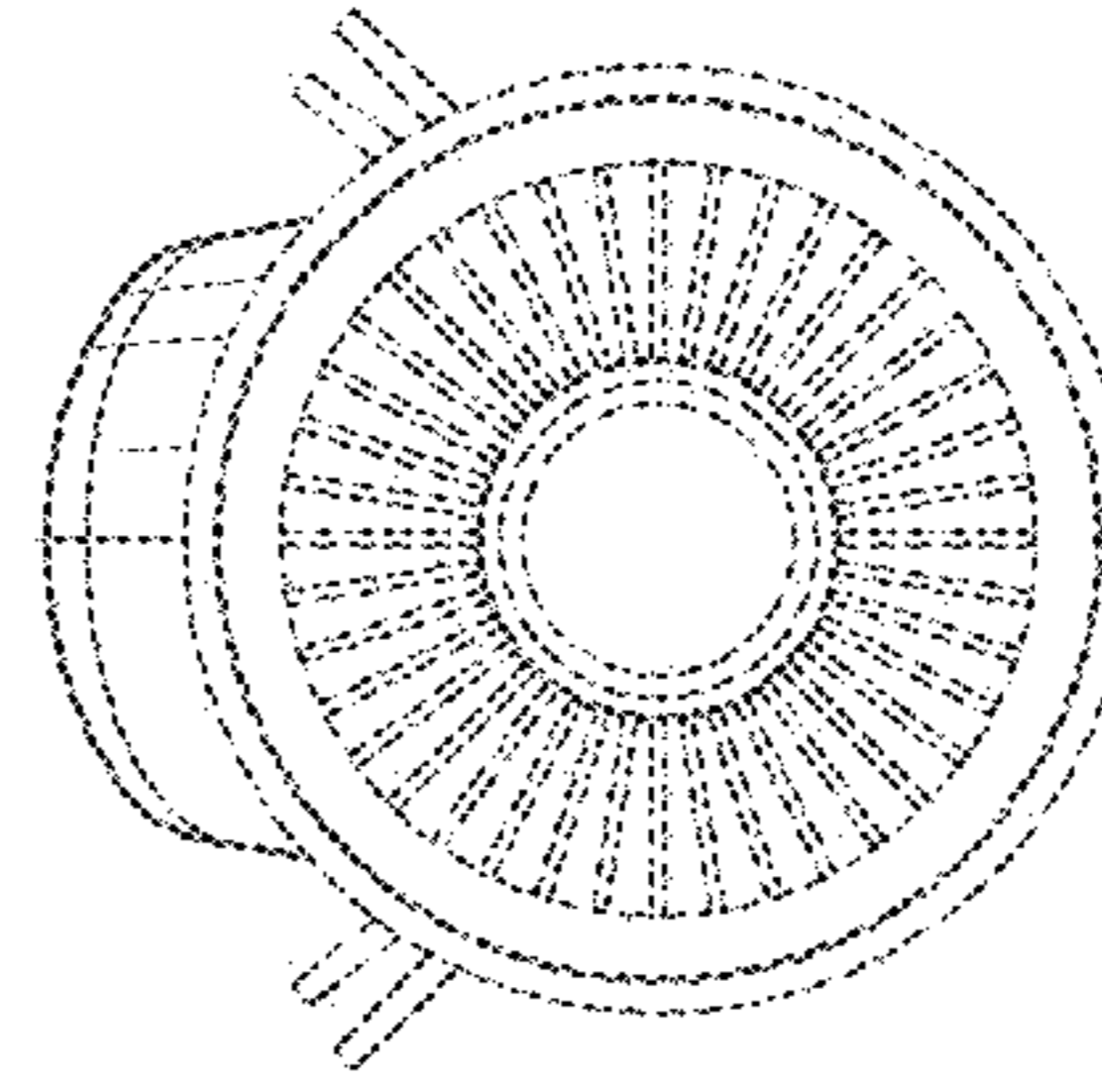


FIG. 14

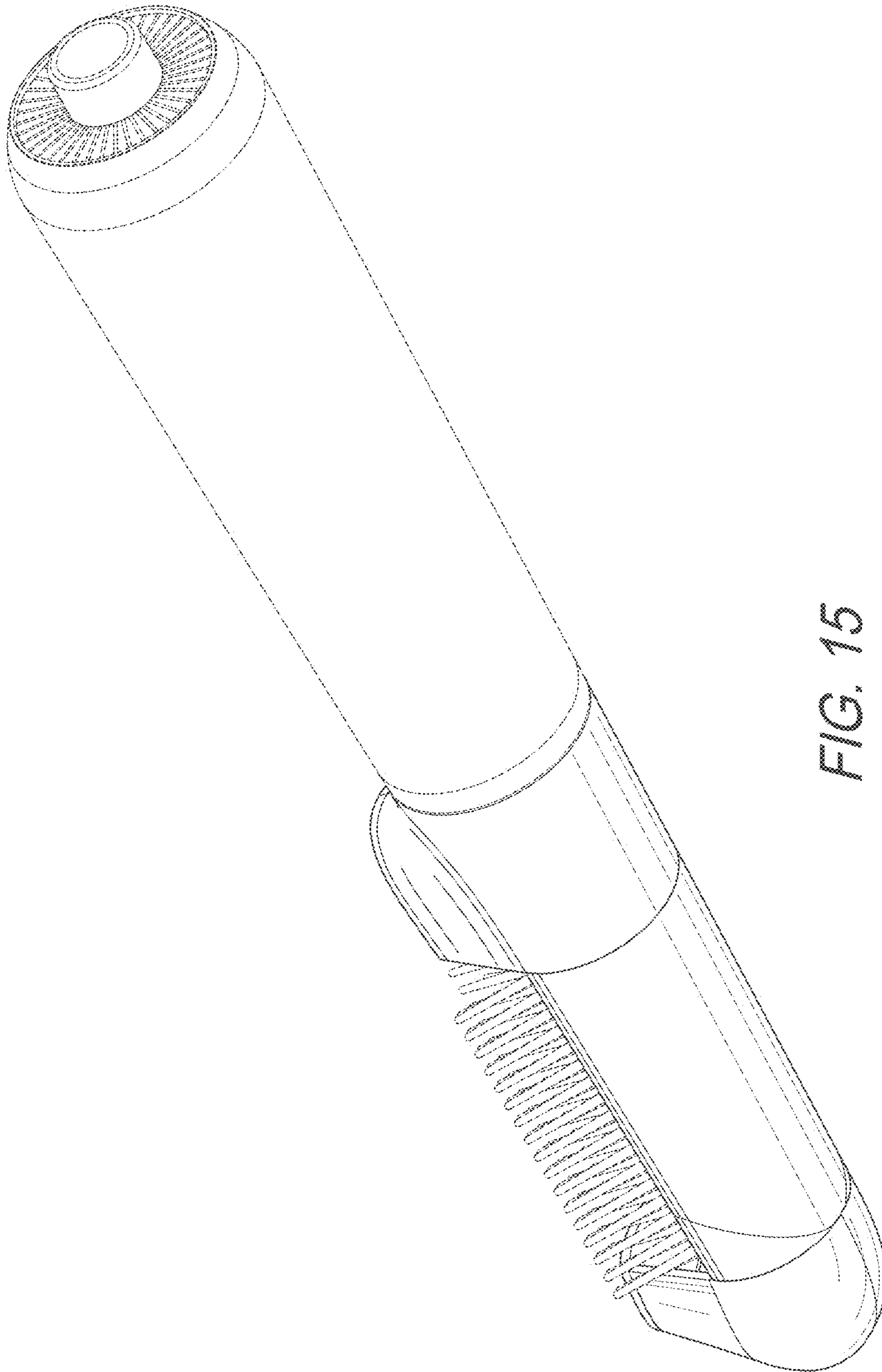


FIG. 15

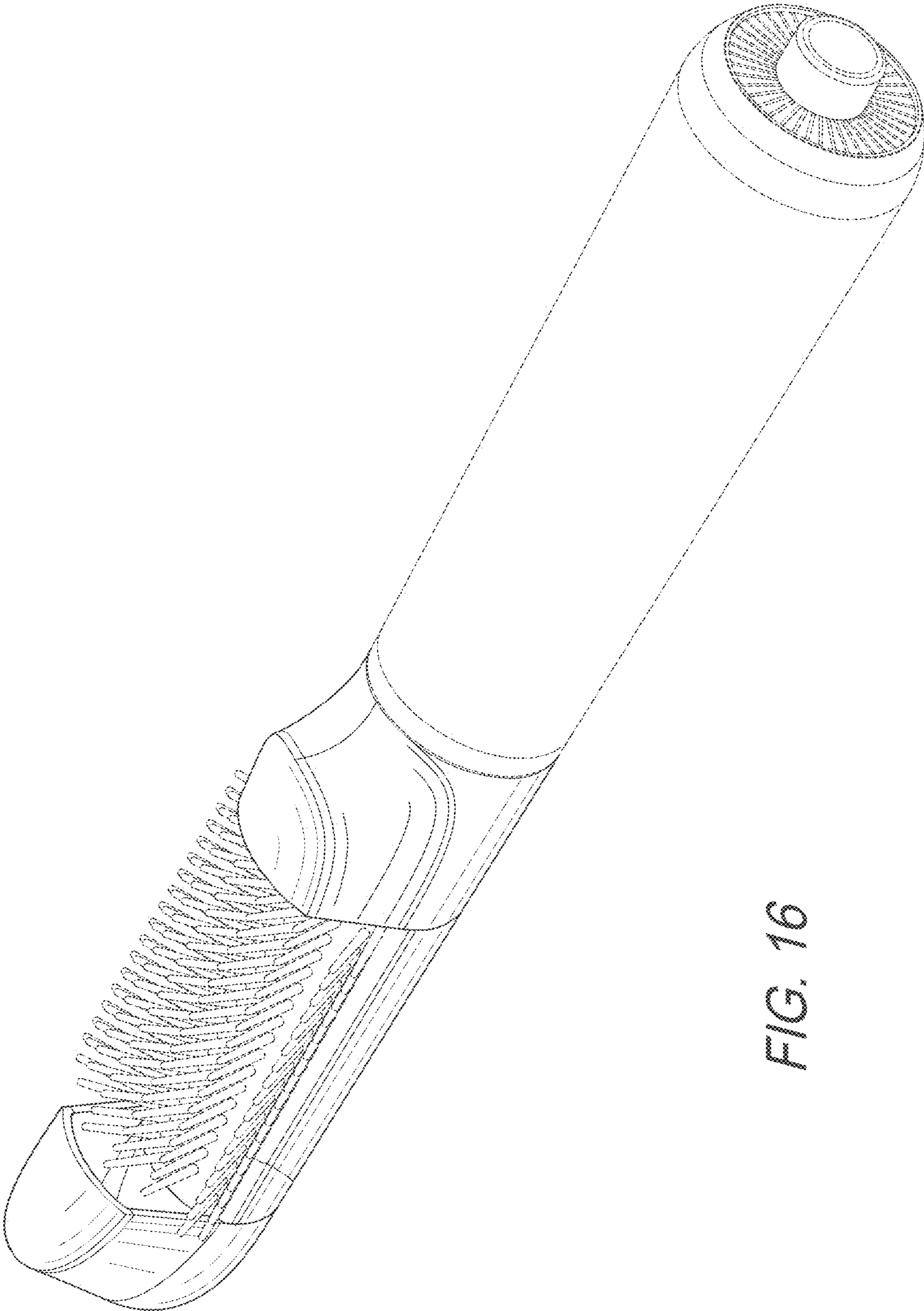


FIG. 16