



US00D959051S

(12) **United States Design Patent**
Mahmood

(10) **Patent No.:** **US D959,051 S**
(45) **Date of Patent:** **** Jul. 26, 2022**

- (54) **SELF-INKING EYELINER PEN**
- (71) Applicant: **Malik Yasir Mahmood**, Christchurch (NZ)
- (72) Inventor: **Malik Yasir Mahmood**, Christchurch (NZ)
- (**) Term: **15 Years**
- (21) Appl. No.: **29/739,401**
- (22) Filed: **Jun. 25, 2020**

D862,797 S * 10/2019 Smith D28/7
 10,966,503 B1 4/2021 Robinson
 2006/0204318 A1 9/2006 Kwon
 (Continued)

FOREIGN PATENT DOCUMENTS

CN 204561273 U 3/2015
 CN 304905582 S 11/2018
 (Continued)

OTHER PUBLICATIONS

Cleopatra Cat Eye Stamp by Lyda Beauty. (n.d.) Retrieved Mar. 28, 2018, <https://lydabeauty.com/>.
 (Continued)

Related U.S. Application Data

- (63) Continuation of application No. 15/940,168, filed on Mar. 29, 2018, now Pat. No. 10,786,062.
- (51) **LOC (13) Cl.** **28-03**
- (52) **U.S. Cl.**
USPC **D28/7**
- (58) **Field of Classification Search**
USPC D28/7, 8, 99; D19/115, 116, 117
CPC A45D 34/04; A45D 40/04; A45D 40/24
See application file for complete search history.

Primary Examiner — Zenia I Bennett
 (74) *Attorney, Agent, or Firm* — Brooks Kushman P.C.

(57) **CLAIM**

The ornamental design for a self-inking eyeliner pen, as shown and described.

DESCRIPTION

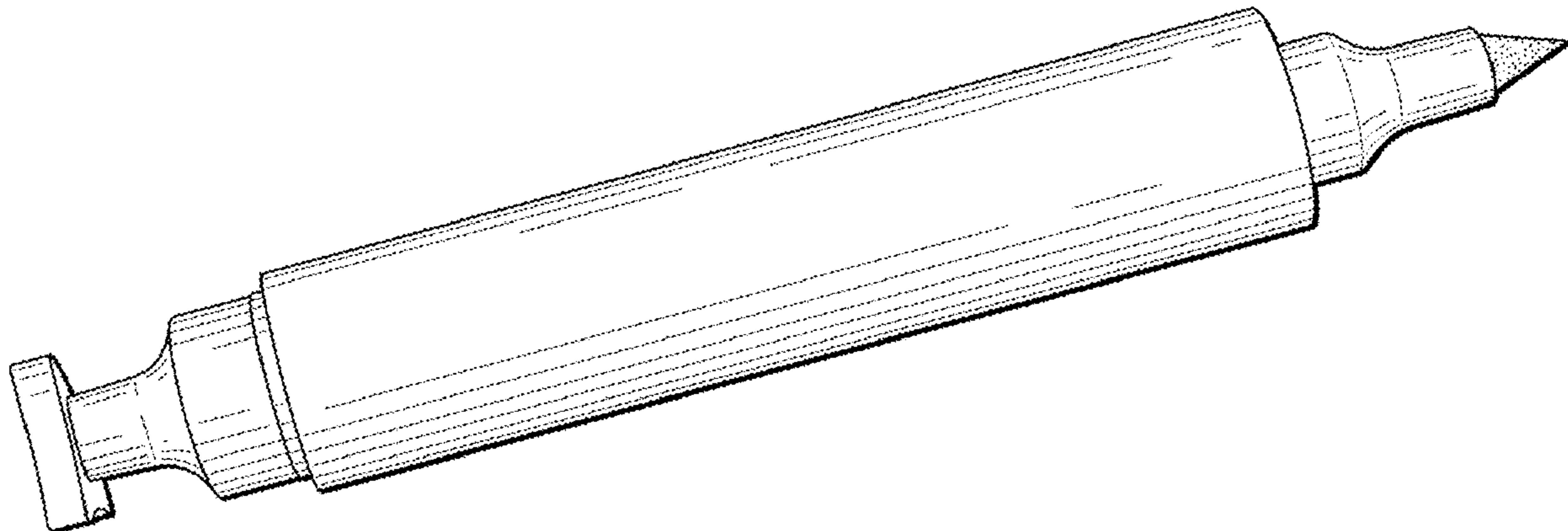
FIG. 1 is a perspective view of a self-inking eyeliner pen according to one embodiment;
 FIG. 2 is a front side view of the self-inking eyeliner pen of FIG. 1;
 FIG. 3 is a back side view of the self-inking eyeliner pen of FIG. 1;
 FIG. 4 is a left side view of the self-inking eyeliner of FIG. 1;
 FIG. 5 is a right side view of the self-inking eyeliner of FIG. 1;
 FIG. 6 is a first embodiment of the bottom end view of the self-inking eyeliner of FIG. 1; and,
 FIG. 7 is a top end view of the self-inking eyeliner of FIG. 1.
 The broken lines show portions of the article not claimed and form no part of the claimed design.

(56) **References Cited**

U.S. PATENT DOCUMENTS

- 3,343,552 A 9/1967 Steffan
- 3,678,947 A 7/1972 Ehrlich
- 4,792,252 A 12/1988 Kremer et al.
- 6,474,887 B2 11/2002 Ozu
- D585,489 S * 1/2009 Han D19/117
- D656,545 S * 3/2012 Hung D19/117
- D683,071 S 5/2013 Lorenz
- D707,393 S 6/2014 Lorenz
- 9,554,635 B1 1/2017 Liu
- D780,994 S 3/2017 Hardwick
- 9,635,924 B1 5/2017 Herrera
- D837,297 S * 1/2019 Muroi D19/117
- D859,737 S * 9/2019 Lorenz D28/7

1 Claim, 3 Drawing Sheets



(56)

References Cited

U.S. PATENT DOCUMENTS

2007/0251542 A1 11/2007 Tajima
2008/0063463 A1 3/2008 Hori
2009/0317432 A1 12/2009 Kergosien
2017/0156474 A1 6/2017 Djarar Fischer et al.
2017/0231363 A1 8/2017 Herrera
2019/0298032 A1* 10/2019 Mahmood A45D 40/18

FOREIGN PATENT DOCUMENTS

DE 402016201878 6/2017
DE 402016201878-0001 6/2017
DE 402016201878-0002 6/2017
DE 402016201878-0003 6/2017
EP 1105012 B1 7/2002
WO 2018141014 A1 8/2018
WO 2019028498 A1 2/2019

OTHER PUBLICATIONS

Lovoir; The Flick Slick; <https://www.lovoir.com/products/eyeliner-stamp-10mm>; 6 pages, Retrieved Jun. 24, 2020.
The Quick Flick; <https://thequickflick.com.au/products/intense-black>; 25 pages, retrieved Jun. 24, 2020.
One-Second Winged Eyeliner . . . OMG; YouTube video; https://www.youtube.com/watch?v=wFEq99F9oOw&ab_channel=Tati; Jun. 13, 2017.
Perfect Winged Eyeliner Stamp?! Does It Work!? (Viewed Aug. 24, 2018) (available at https://www.youtube.com/watch?v=ooCLY_LP9sY>); Apr. 25, 2017.

* cited by examiner

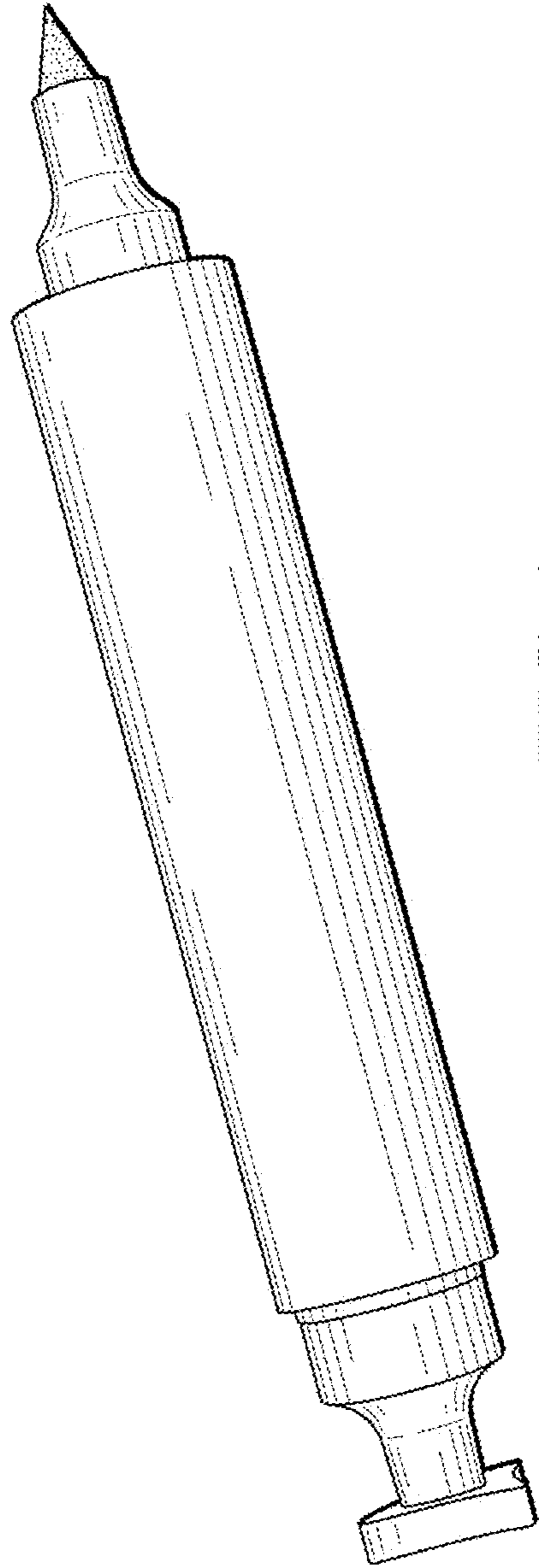


FIG. 1

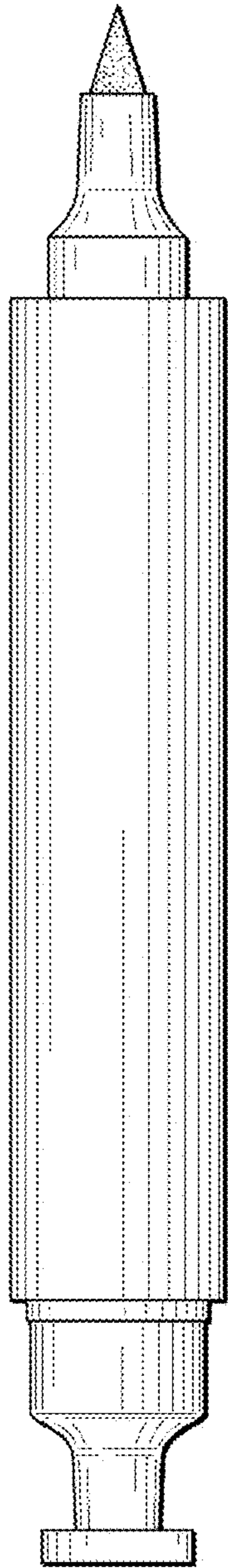


FIG. 2

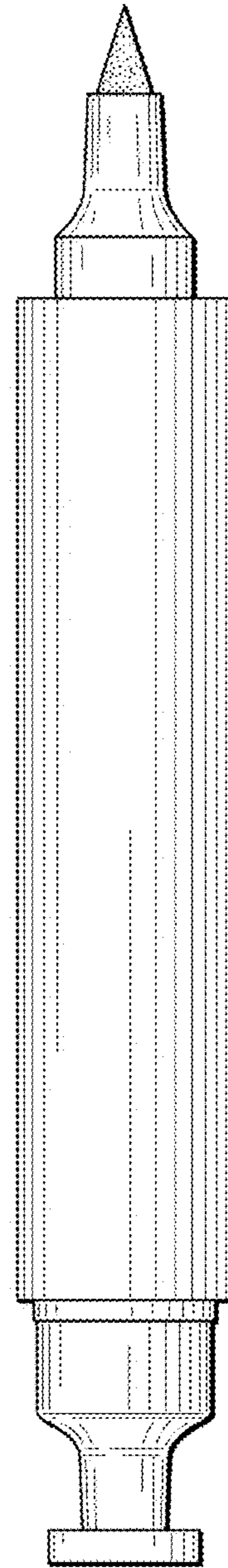


FIG. 3

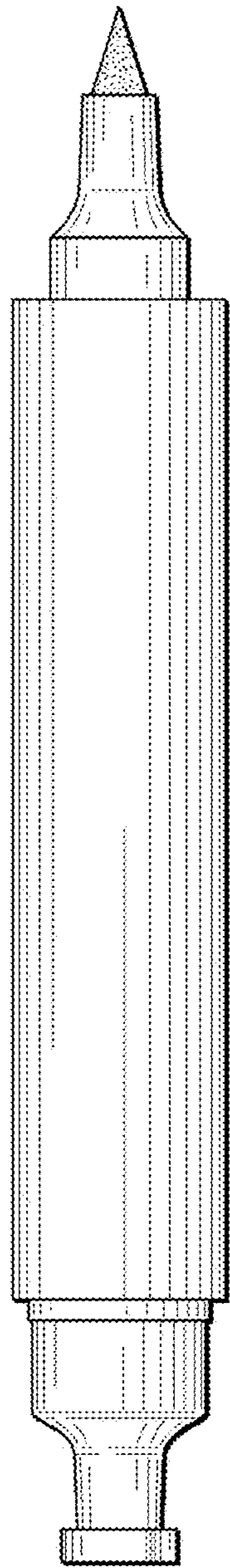


FIG. 4

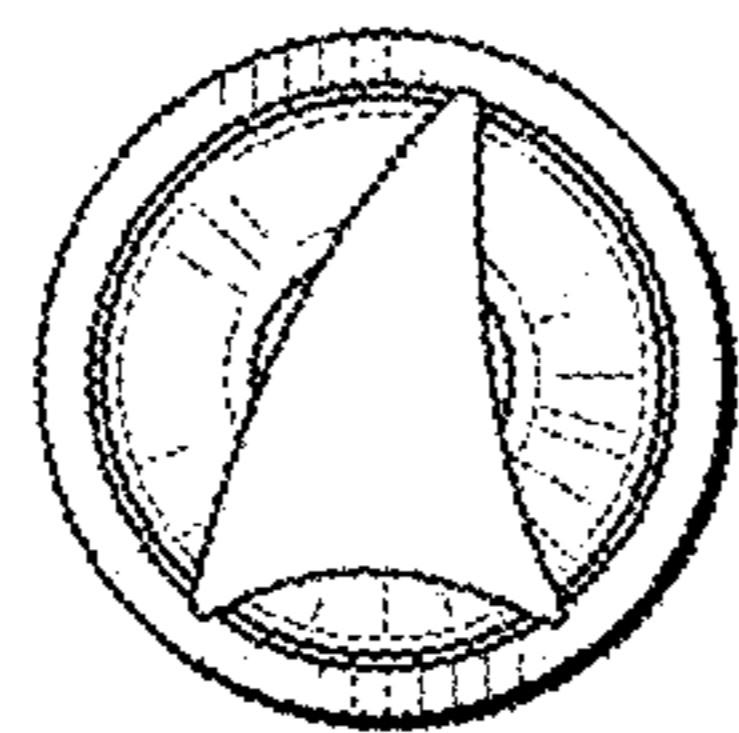


FIG. 6

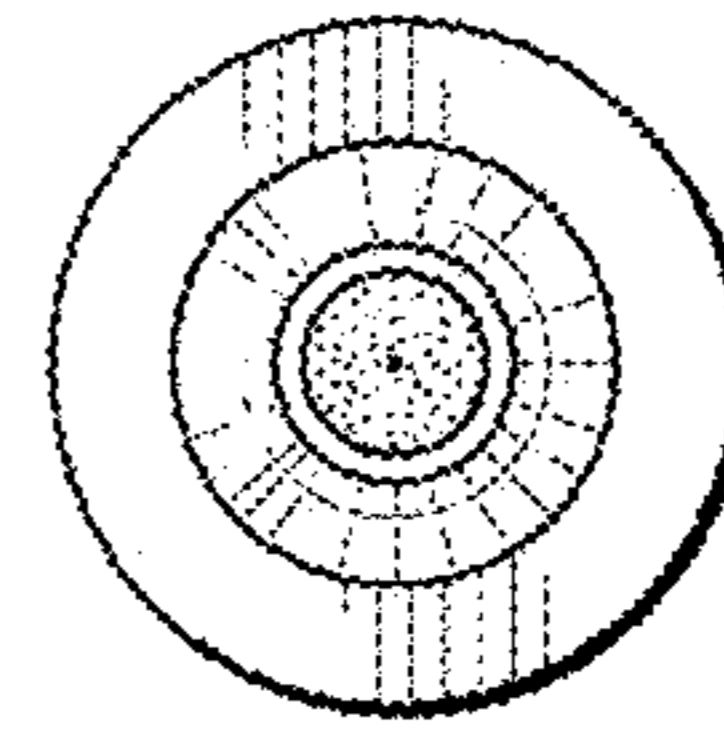


FIG. 7

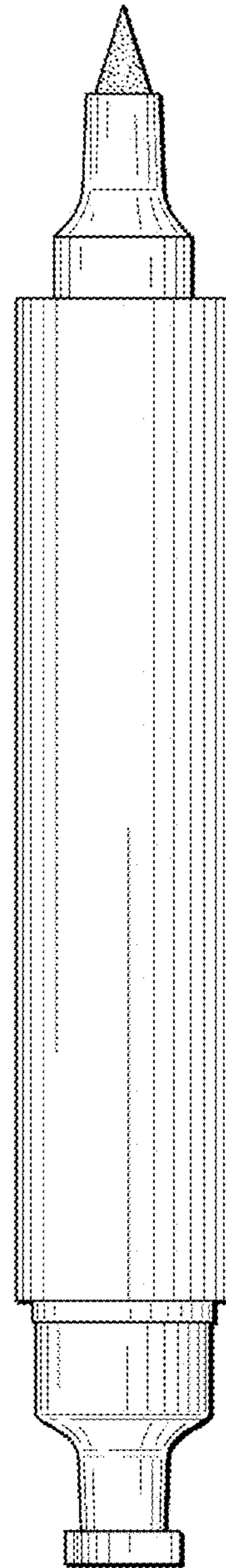


FIG. 5