



US00D959050S

(12) **United States Design Patent** (10) **Patent No.:** **US D959,050 S**
Sung (45) **Date of Patent:** **** Jul. 26, 2022**

(54) **LIGHTER HOLDER WITH KNIFE AND CLIP**

(57) **CLAIM**

(71) Applicant: **Shaoching Sung**, Chino, CA (US)

I claim the ornamental design for a lighter holder with knife and clip, as shown and described.

(72) Inventor: **Shaoching Sung**, Chino, CA (US)

(**) Term: **15 Years**

DESCRIPTION

(21) Appl. No.: **29/829,794**

(22) Filed: **Mar. 8, 2022**

Related U.S. Application Data

(62) Division of application No. 29/696,958, filed on Jul. 2, 2019, now Pat. No. Des. 948,113.

(51) **LOC (13) Cl.** **27-06**

(52) **U.S. Cl.**
USPC **D27/172**

(58) **Field of Classification Search**
USPC D27/172, 141-143, 139, 194, 195;
D8/55

(Continued)

(56) **References Cited**

U.S. PATENT DOCUMENTS

5,738,117 A * 4/1998 Fontaine, Jr. A24F 13/26
131/249
5,888,061 A ‡ 3/1999 Reynolds A24F 13/24
431/253

(Continued)

OTHER PUBLICATIONS

Lighter Caddy Pocket Knife By: Budk found on line (May 17, 2022)
<https://www.budk.com/Lighter-Caddy-Pocket-Knife-464D27/172,141-143,139,194,195.ccls>. And @pd>="20220125" 75 (Sep. 12, 2019).*

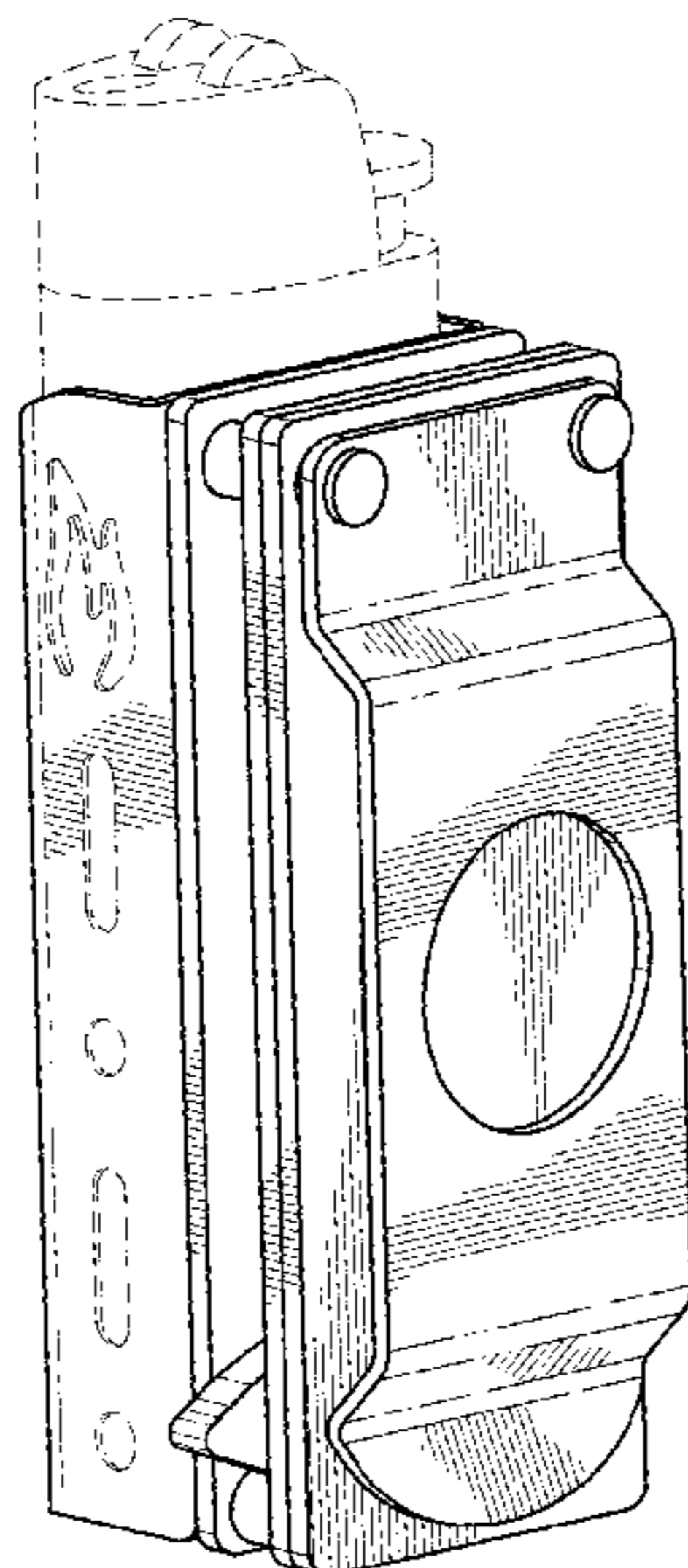
(Continued)

Primary Examiner — Rebecca Tsehaye

(74) *Attorney, Agent, or Firm* — Loza & Loza, LLP;
Heidi Eisenhut

FIG. 1 is a front, right, top perspective view of a lighter holder with knife and clip in a closed configuration;
FIG. 2 is a top plan view of the lighter holder with knife and clip thereof;
FIG. 3 is a bottom elevation view of the lighter holder with knife and clip thereof;
FIG. 4 is a right-side elevation view of the lighter holder with knife and clip thereof;
FIG. 5 is a left side elevation view of the lighter holder with knife and clip thereof;
FIG. 6 is a top plan view of the lighter holder with knife and clip of thereof;
FIG. 7 is a bottom elevation view of the lighter holder with knife and clip of thereof;
FIG. 8 is a front, right, top perspective view of a lighter holder with knife and clip in a closed configuration according to another aspect of the present invention;
FIG. 9 is a top plan view of the lighter holder with knife and clip thereof;
FIG. 10 is a bottom elevation view of the lighter holder with knife and clip thereof;
FIG. 11 is a right-side elevation view of the lighter holder with knife and clip thereof;
FIG. 12 is a left side elevation view of the lighter holder with knife and clip thereof;
FIG. 13 is a top plan view of the lighter holder with knife and clip of thereof; and,
FIG. 14 is a bottom elevation view of the lighter holder with knife and clip of thereof.
The broken lines show features of the lighter holder with knife and clip that form no part of the claimed design.

1 Claim, 8 Drawing Sheets



(58) **Field of Classification Search**
 CPC A24F 13/12; A24F 13/24; A24F 13/26;
 B26B 11/00; F23Q 2/32
 See application file for complete search history.

(56) **References Cited**

U.S. PATENT DOCUMENTS

D435,691	S	‡	12/2000	Reynolds	D27/143
D451,635	S	‡	12/2001	Smith	D27/143
D455,629	S	*	4/2002	Ping	D8/55
D457,262	S	*	5/2002	Smith	D27/157
D459,834	S	‡	7/2002	Park	D27/143
D460,211	S	‡	7/2002	Park	D27/143
D464,168	S	‡	10/2002	Reynolds	D27/142
D464,463	S	‡	10/2002	Smith	D27/143
D467,033	S	‡	12/2002	Smith	D27/143
D468,859	S	‡	1/2003	Cohen Harel	D27/141
D469,920	S	‡	2/2003	Hong	D27/143
6,875,013	B2	*	4/2005	Smith	F23Q 2/32 131/249

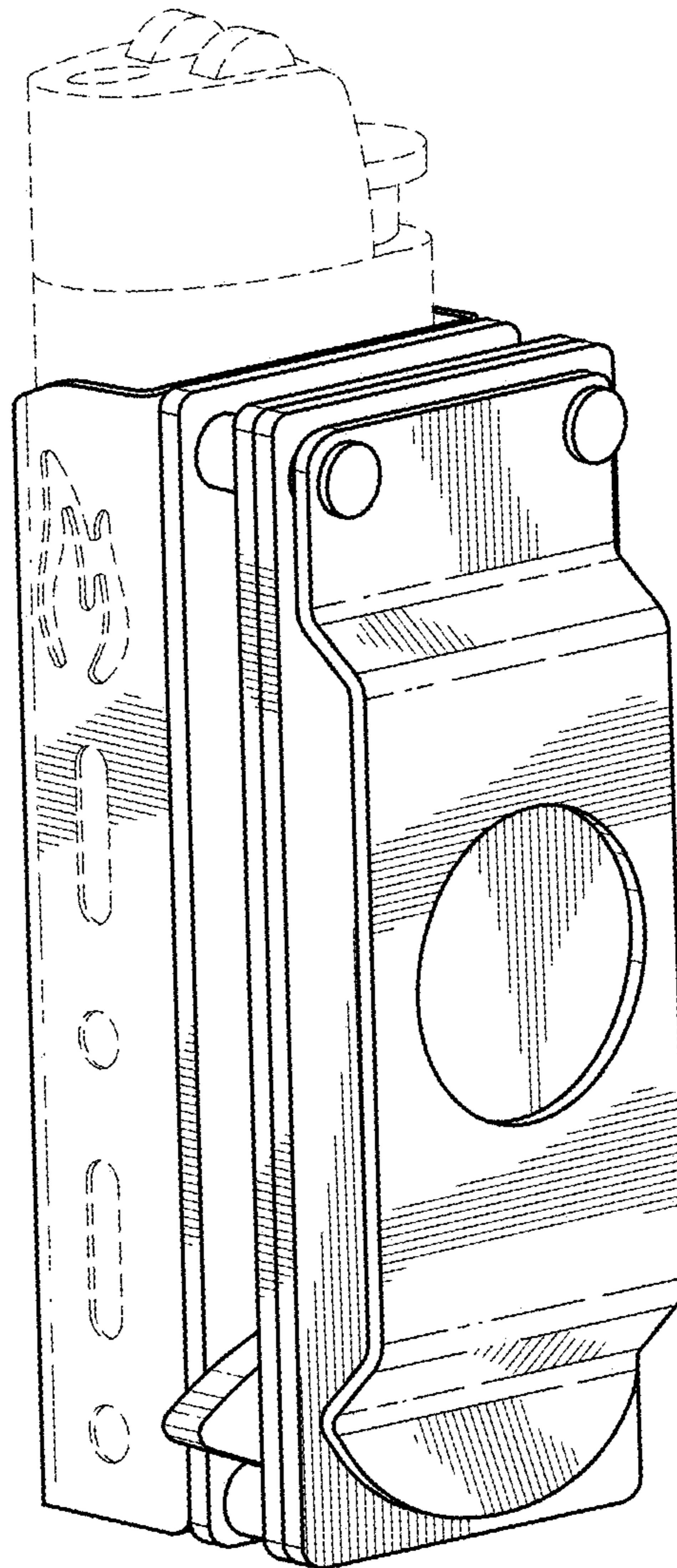
D553,792	S	‡	10/2007	Smith	D27/143
D630,794	S	*	1/2011	Cohen Harel	D27/195
D634,889	S	‡	3/2011	Park	D27/143
9,055,769	B2	‡	6/2015	Liao	A24F 13/26
D806,313	S	*	12/2017	Penna	D27/194
D832,073	S	‡	10/2018	Lee	D27/142
D852,020	S	*	6/2019	Lee	D8/100
D853,024	S	*	7/2019	Almsberger	D27/195
D853,636	S	‡	7/2019	Jourdan	D27/195
10,632,633	B2	*	4/2020	Bloch	B26B 5/001
2004/0142293	A1	‡	7/2004	Smith	A24F 13/26 431/253

OTHER PUBLICATIONS

P.S Lighter Holder for Regular Lighters W/Folding Knife, Pocket Knife By NEON found on Amazon Mar. 30, 2021 <https://www.amazon.com/P-S-Lighter-Regular-Lighters-Collection/dp/B07XMG456T> (Aug. 13, 2020).‡

* cited by examiner
 ‡ imported from a related application

FIG. 1



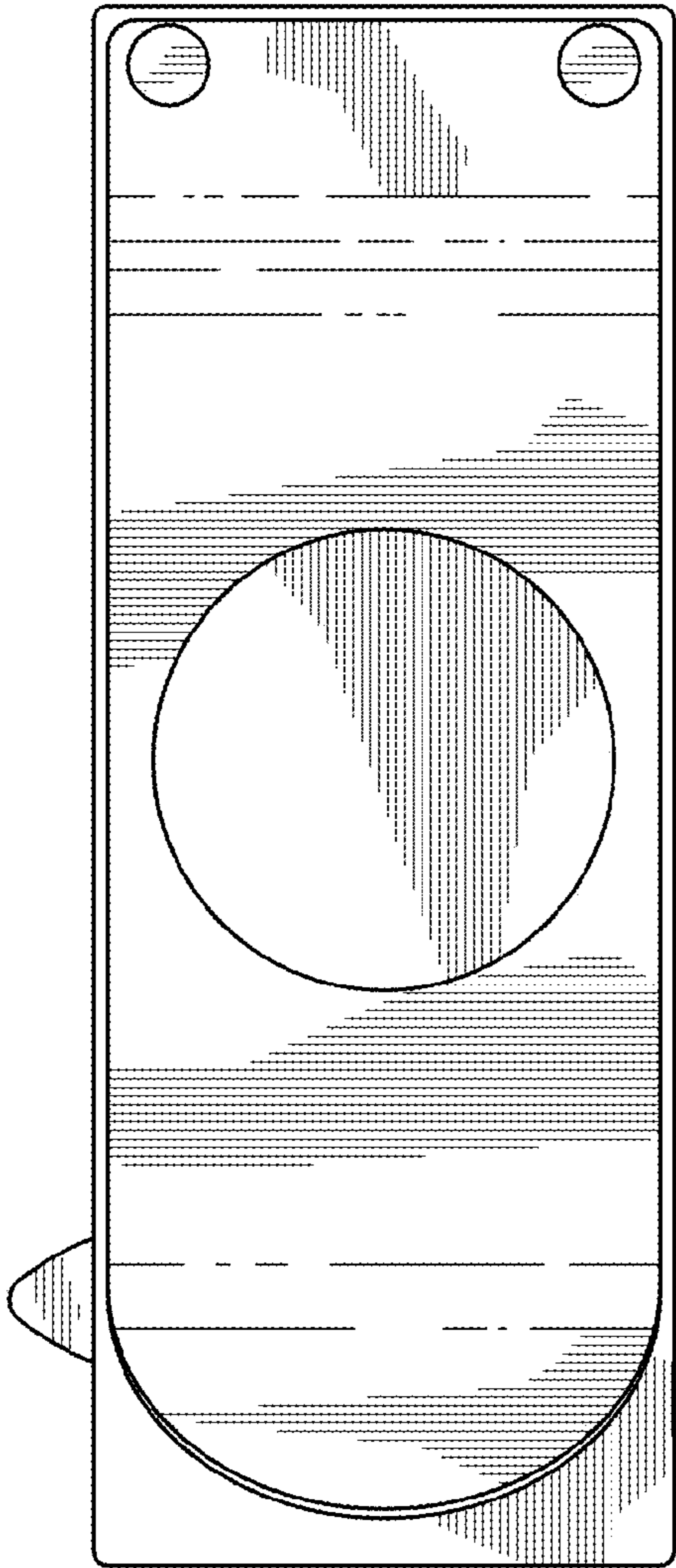


FIG. 2

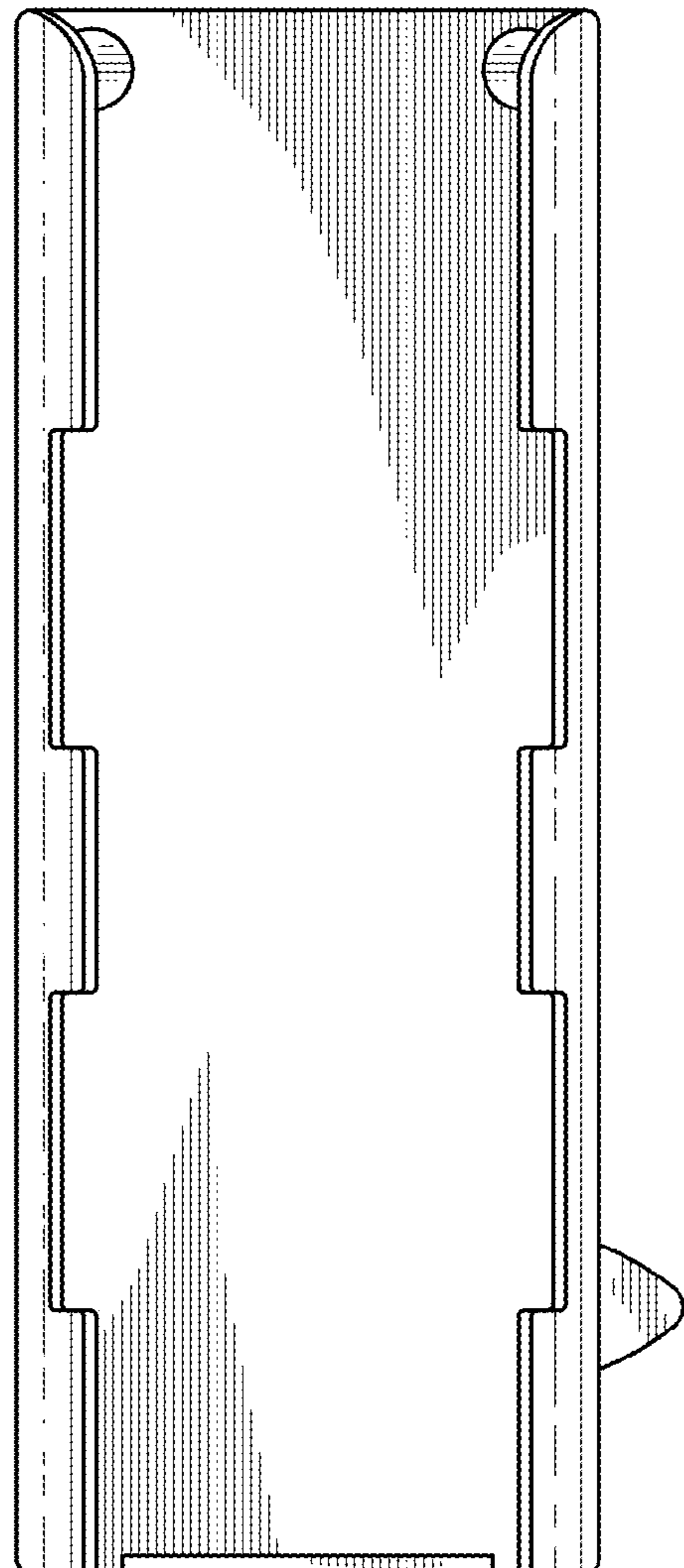


FIG. 3

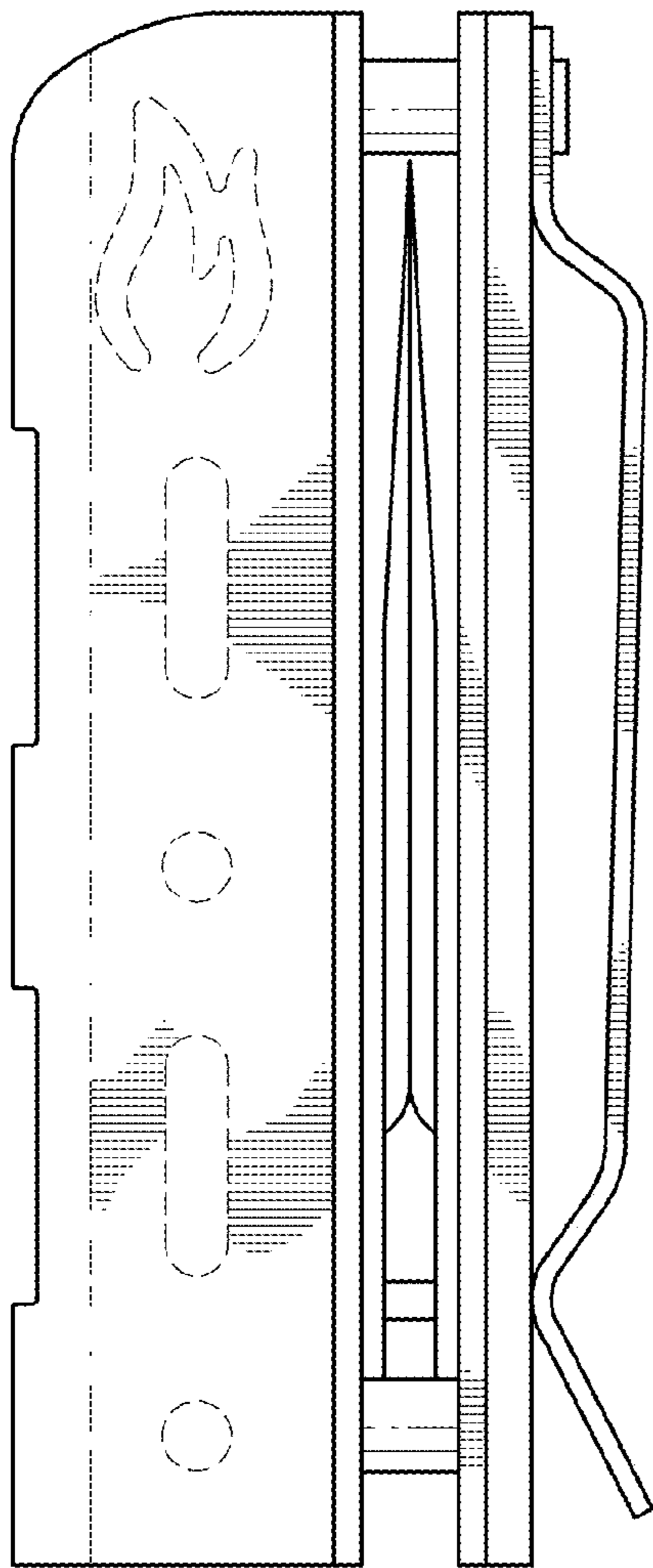


FIG. 4

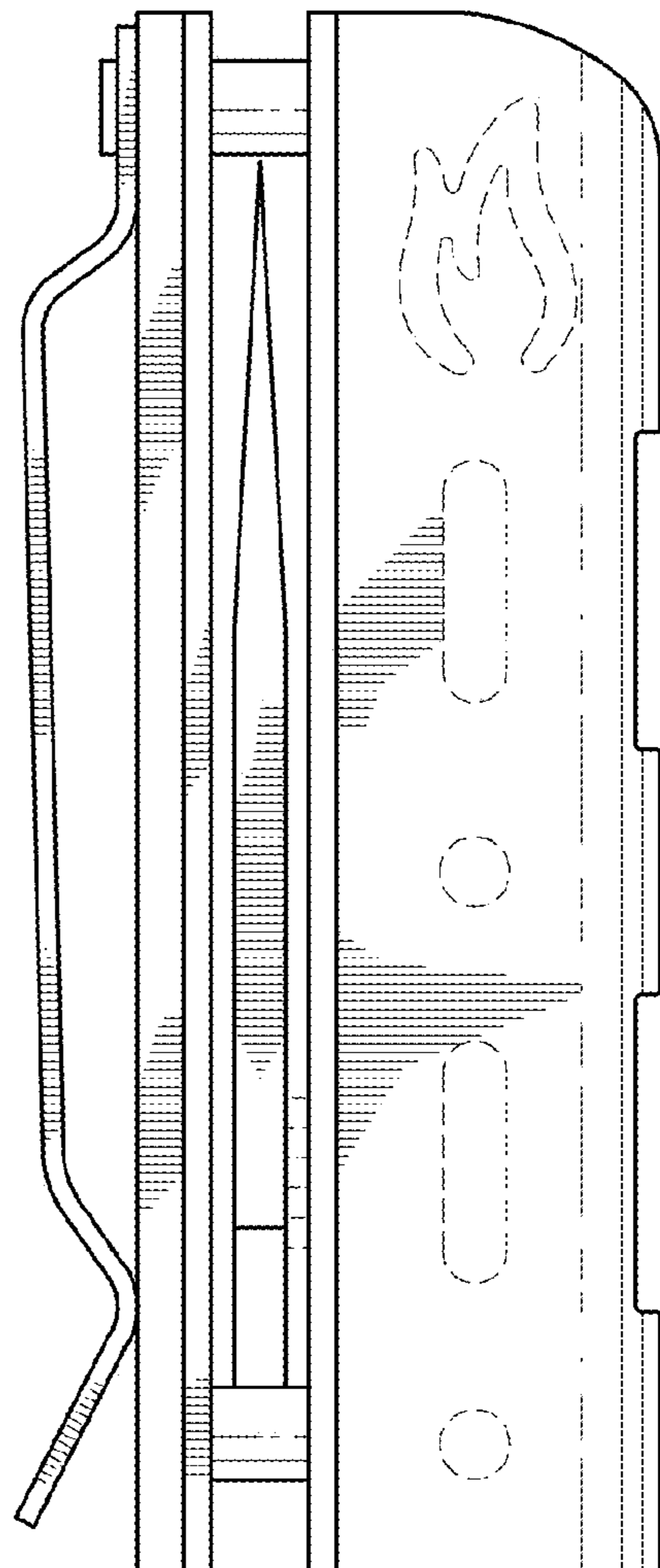


FIG. 5

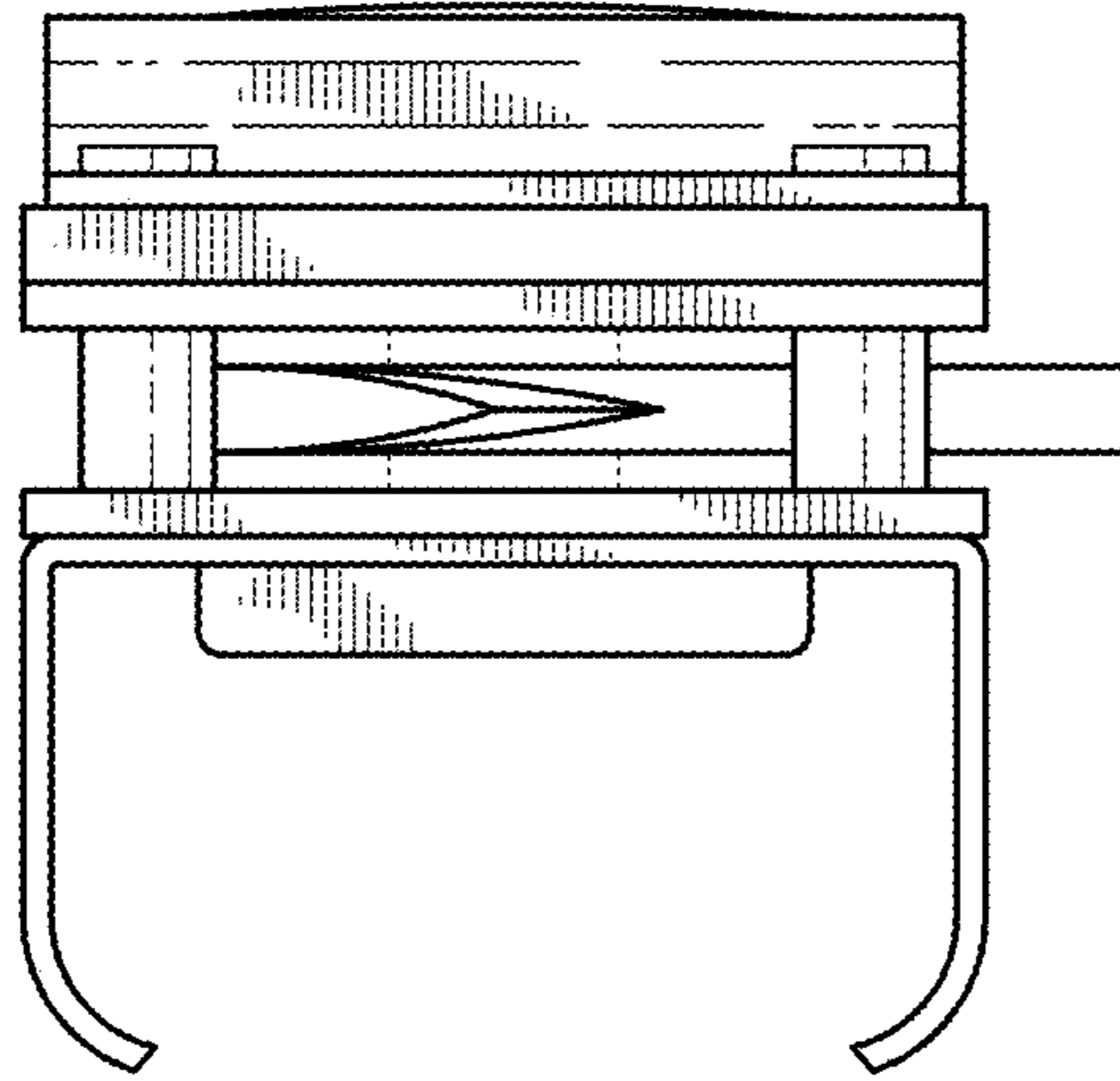


FIG. 6

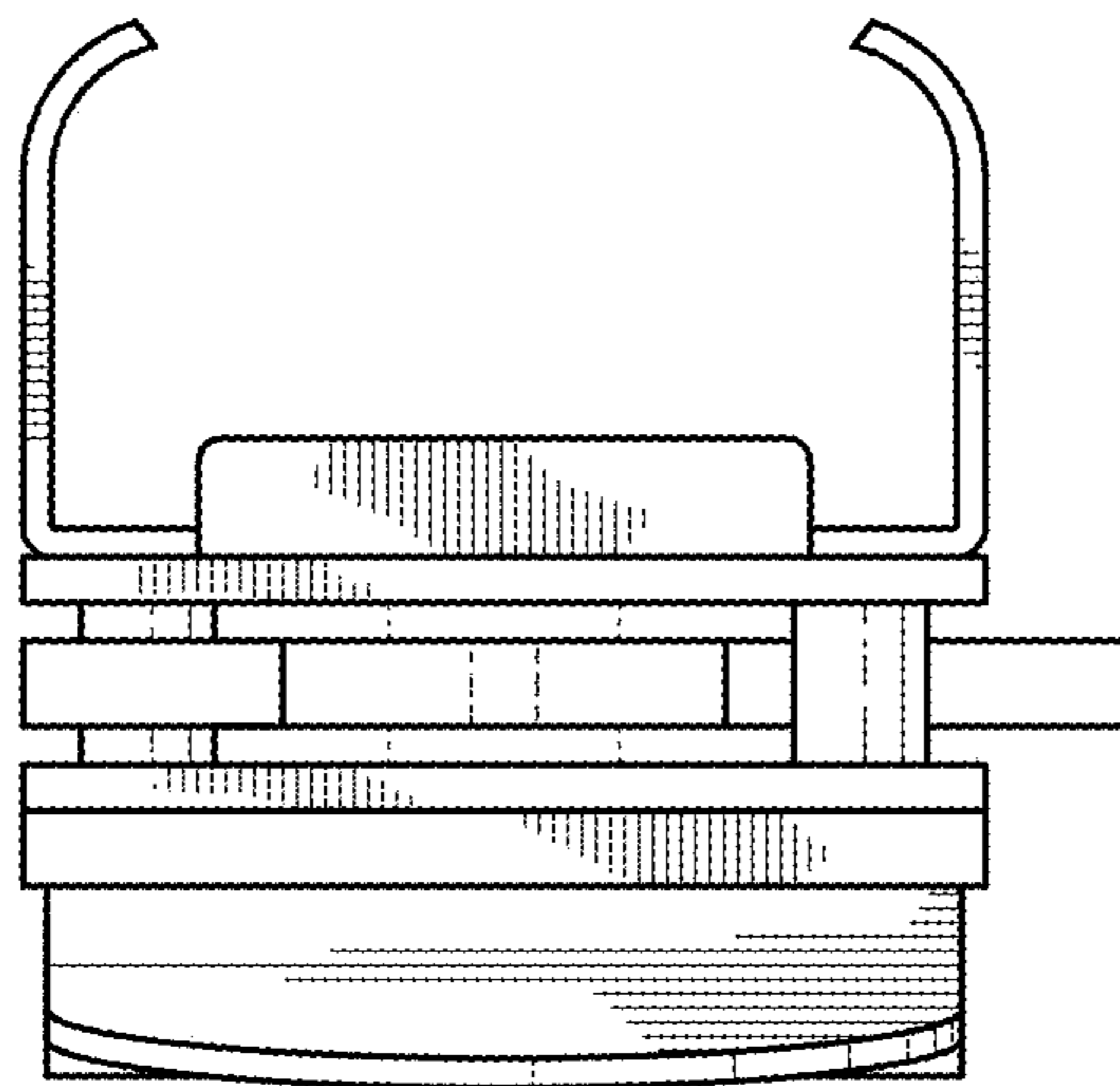
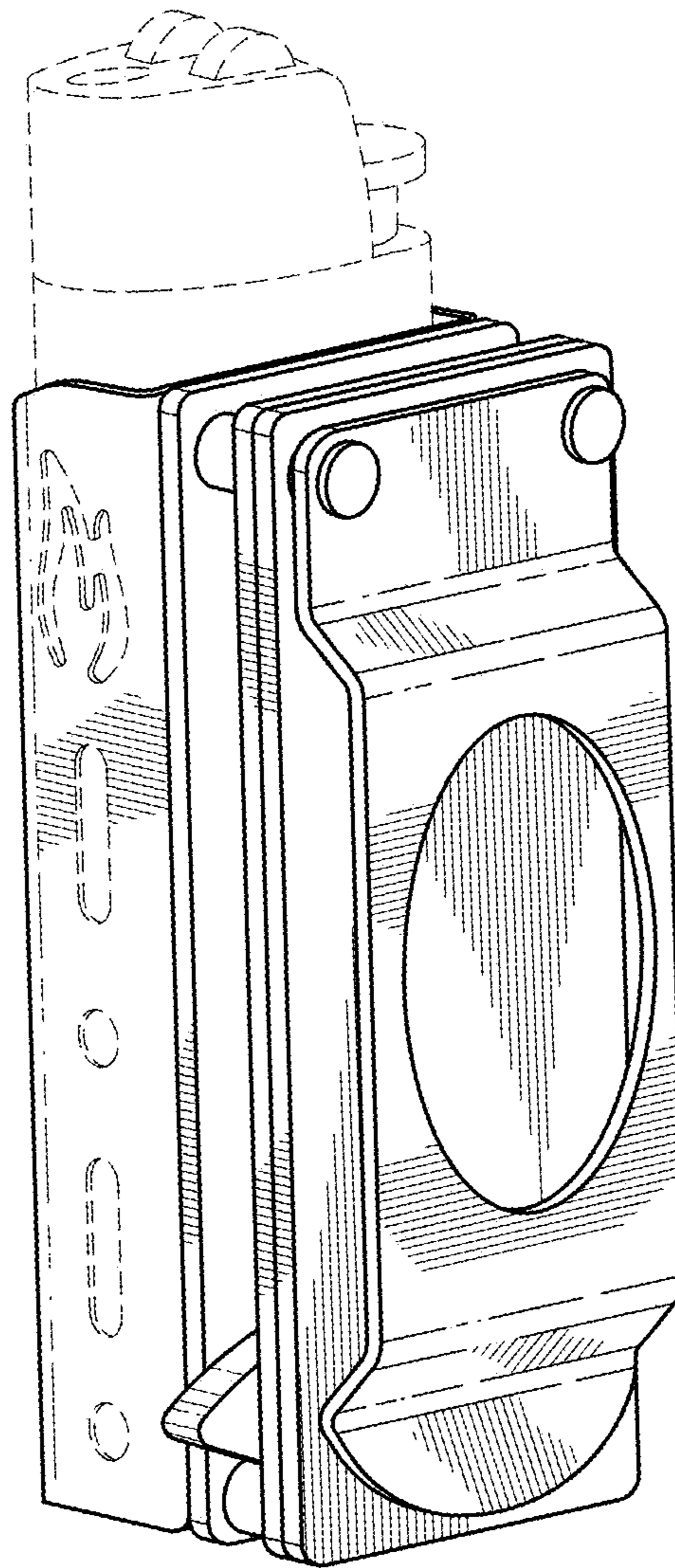


FIG. 7

FIG. 8



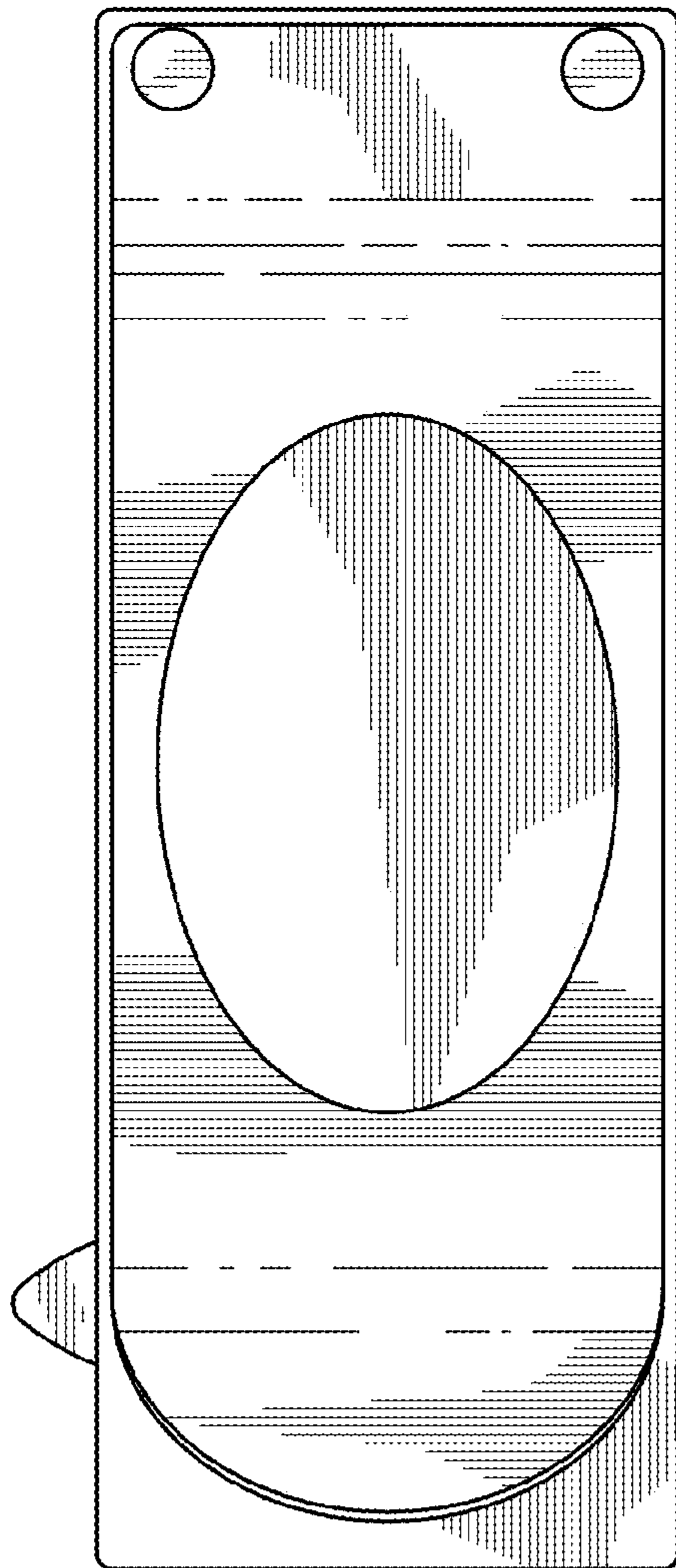


FIG. 9

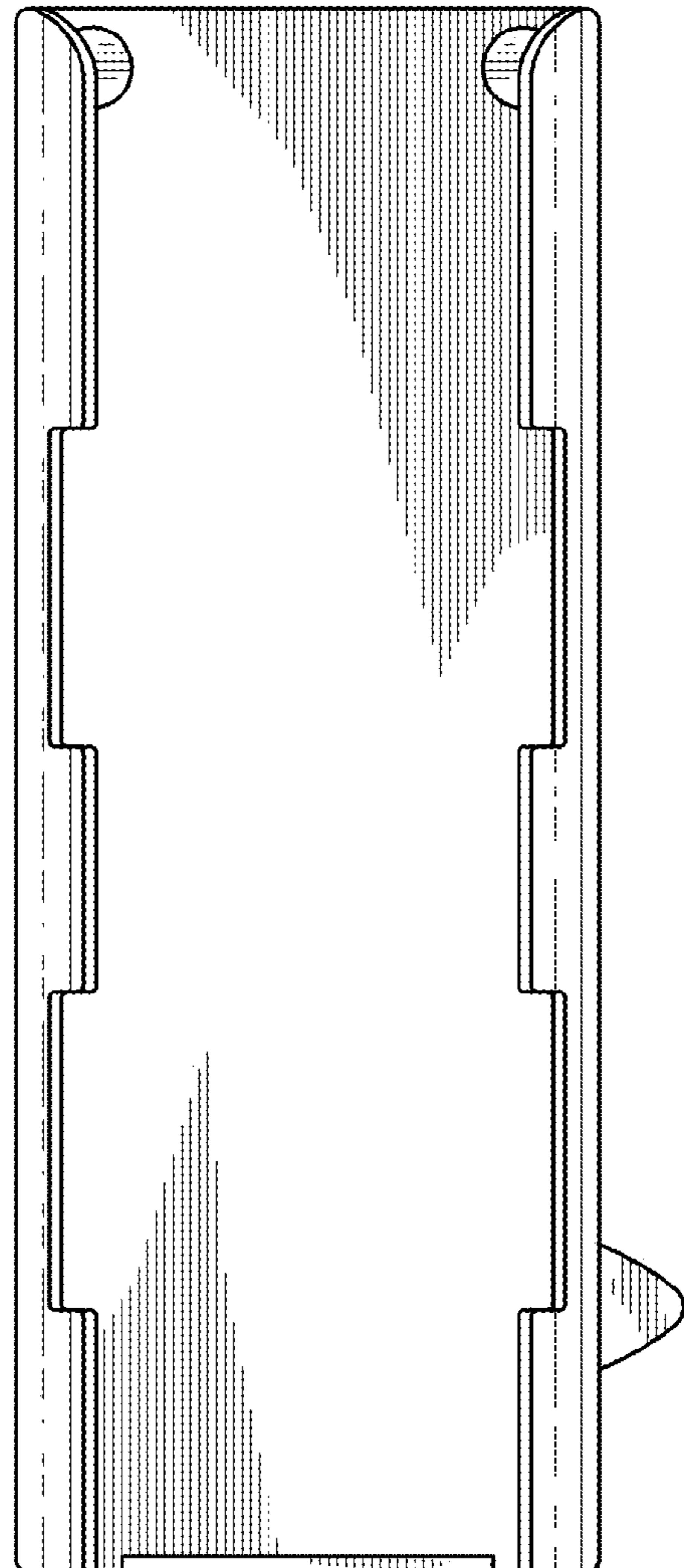


FIG. 10

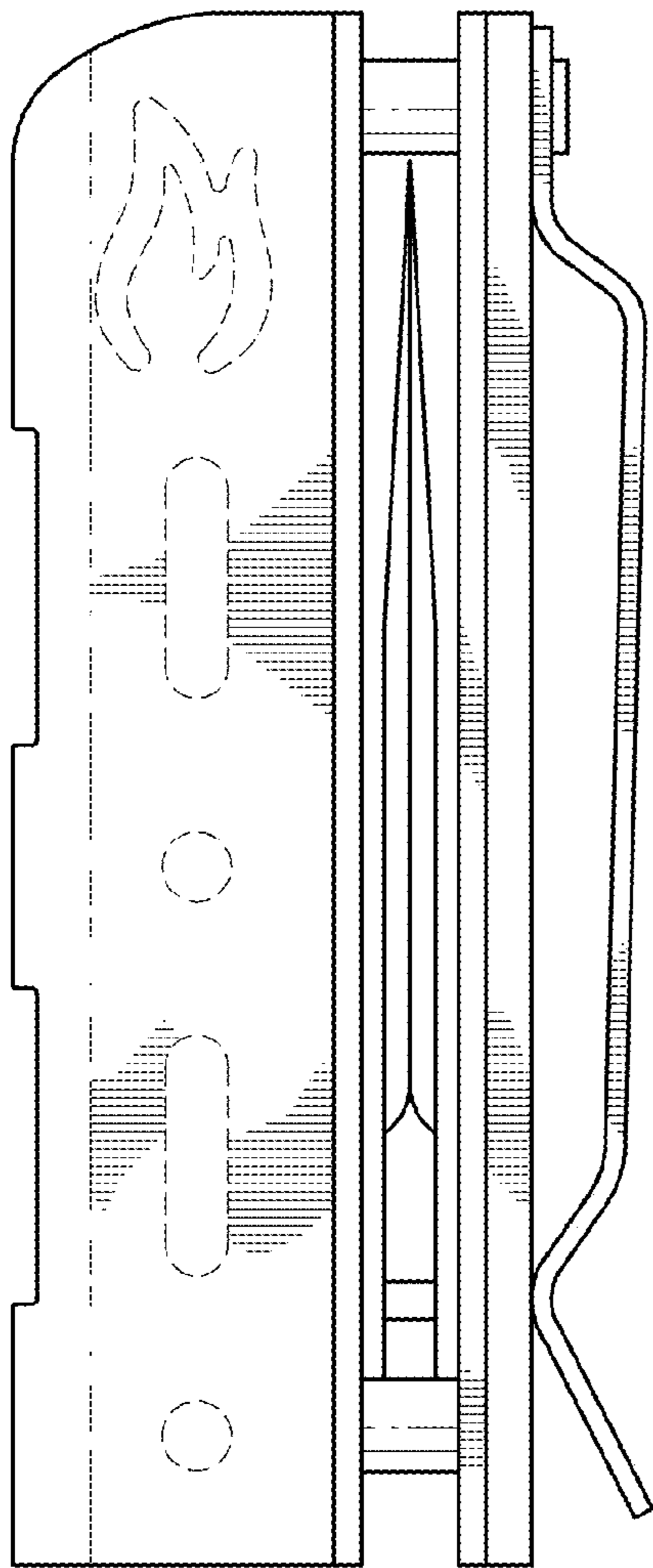


FIG. 11

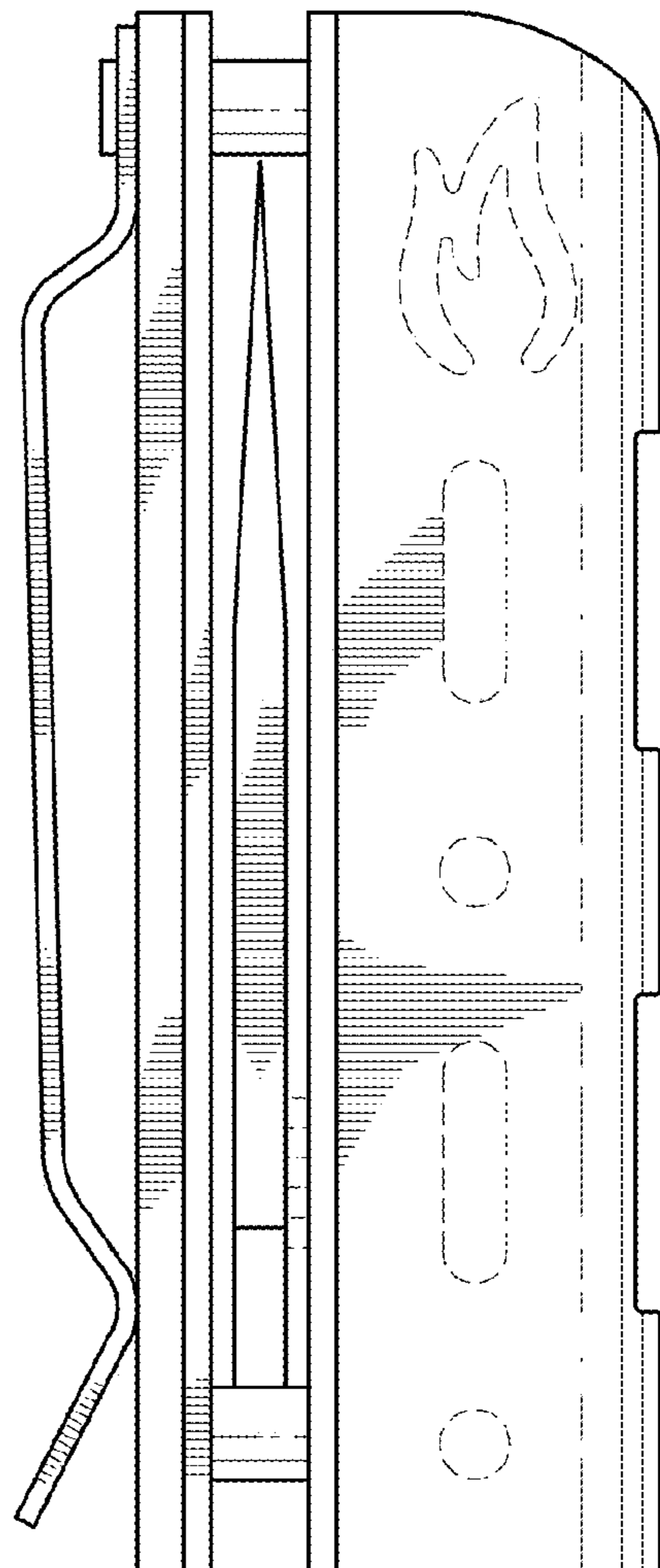


FIG. 12

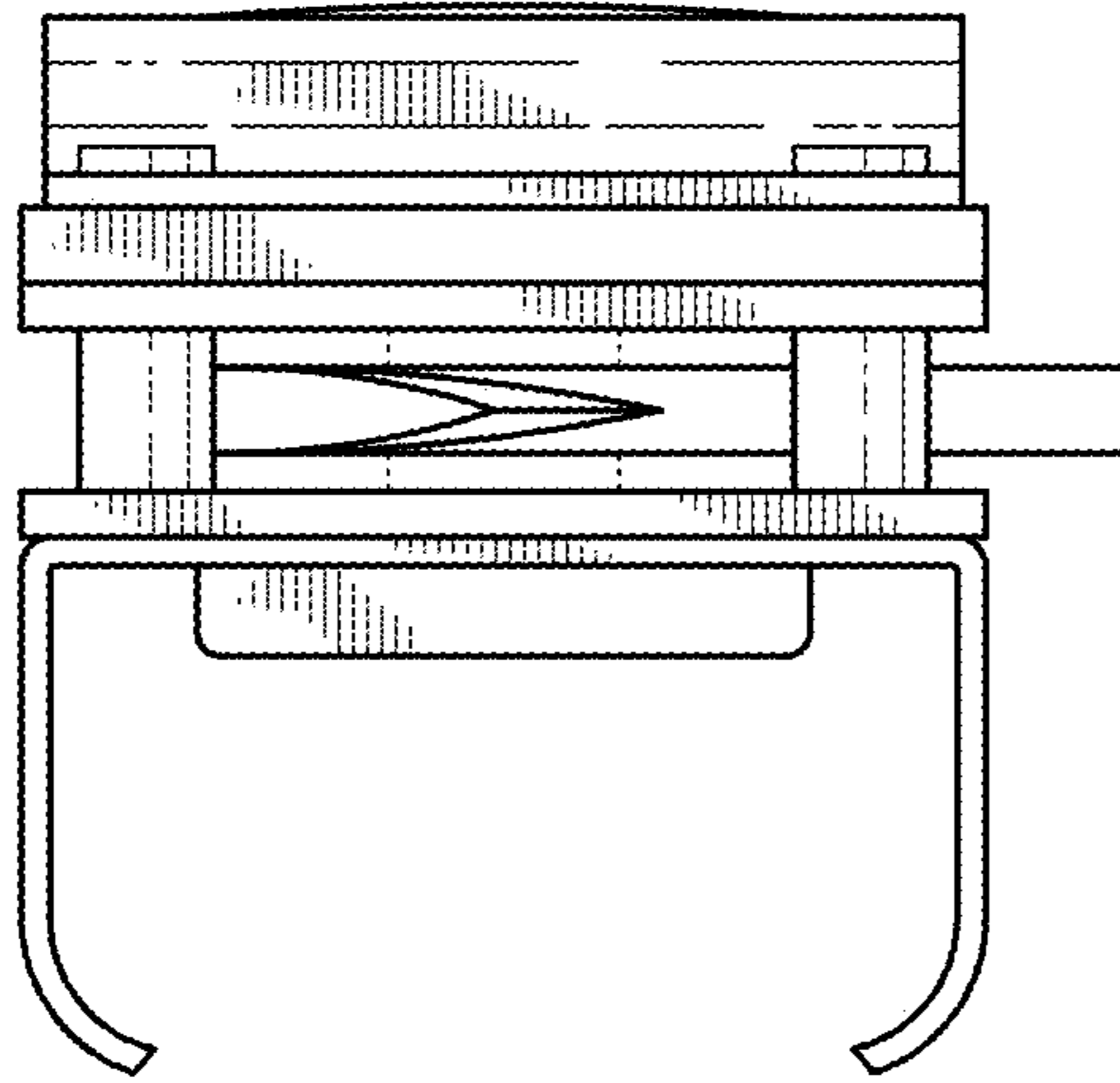


FIG. 13

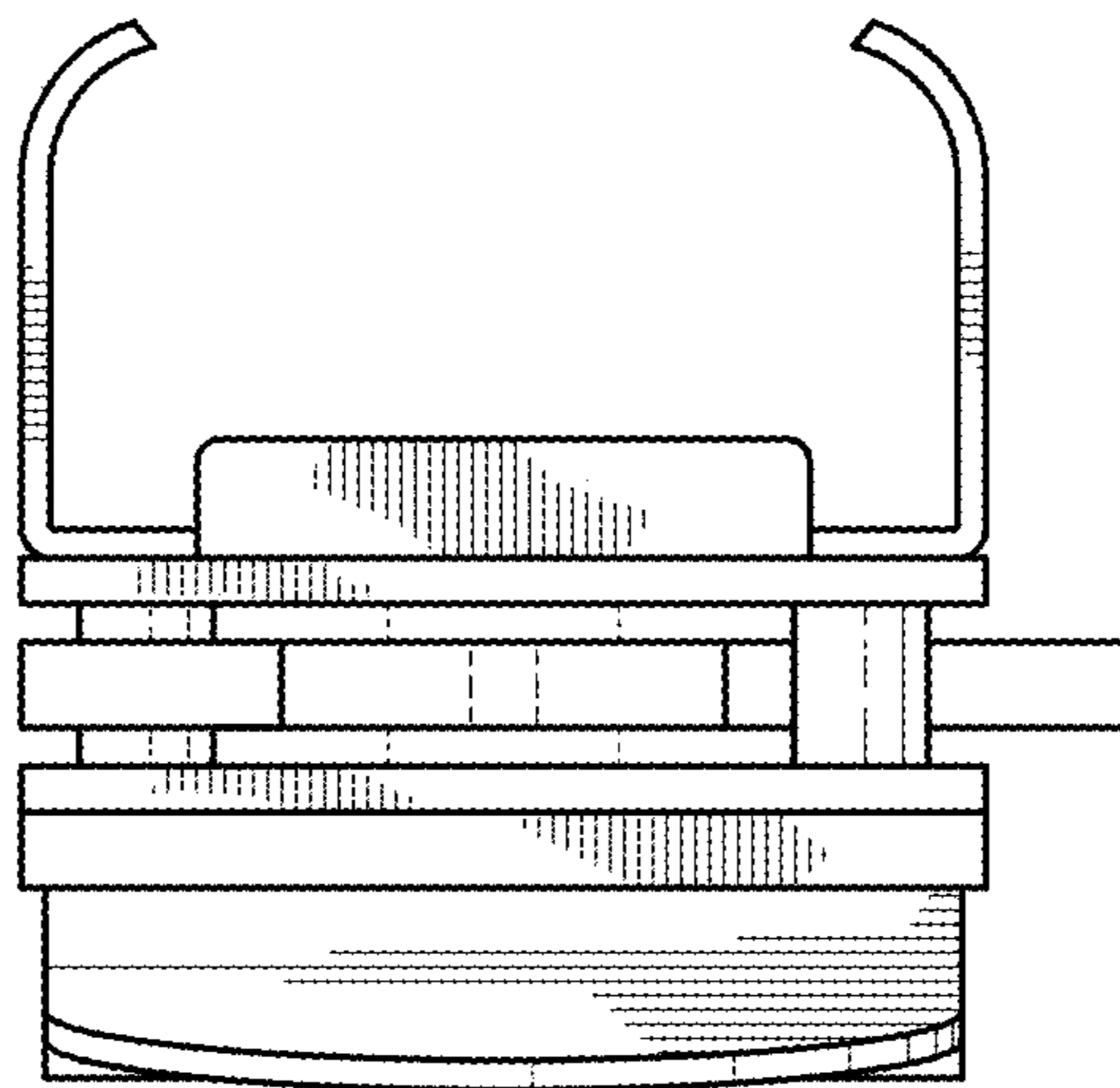


FIG. 14