



US00D959049S

(12) **United States Design Patent**
Sung

(10) **Patent No.:** **US D959,049 S**

(45) **Date of Patent:** **** Jul. 26, 2022**

(54) **LIGHTER HOLDER WITH KNIFE AND CLIP**

D469,920 S † 2/2003 Hong D27/143
6,875,013 B2 * 4/2005 Smith F23Q 2/32

(71) Applicant: **Shaoching Sung**, Chino, CA (US)

D553,792 S † 10/2007 Smith D27/143

(72) Inventor: **Shaoching Sung**, Chino, CA (US)

D630,794 S * 1/2011 Cohen Harel D27/195

(**) Term: **15 Years**

(Continued)

(21) Appl. No.: **29/829,792**

OTHER PUBLICATIONS

(22) Filed: **Mar. 8, 2022**

Lighter Caddy Pocket Knife By: Budk found on line (May 17, 2022)
<https://www.budk.com/Lighter-Caddy-Pocket-Knife-46475> (Sep. 12, 2019).*

(Continued)

Related U.S. Application Data

(62) Division of application No. 29/696,958, filed on Jul. 2, 2019, now Pat. No. Des. 948,113.

Primary Examiner — Rebecca Tsehaye

(51) **LOC (13) Cl.** **27-06**

(74) *Attorney, Agent, or Firm* — Loza & Loza, LLP;
Heidi Eisenhut

(52) **U.S. Cl.**
USPC **D27/172**

(57) **CLAIM**

(58) **Field of Classification Search**
USPC D27/172, 141–143, 139, 194, 195;
D8/55

I claim the ornamental design for a lighter holder with knife and clip, as shown and described.

CPC A24F 13/12; A24F 13/24; A24F 13/26;
B26B 11/00; F23Q 2/32

DESCRIPTION

See application file for complete search history.

FIG. 1 is a front, right, top perspective view of a lighter holder with knife and clip in a closed configuration; FIG. 2 is a top plan view of the lighter holder with knife and clip thereof; FIG. 3 is a bottom elevation view of the lighter holder with knife and clip thereof; FIG. 4 is a right-side elevation view of the lighter holder with knife and clip thereof; FIG. 5 is a left side elevation view of the lighter holder with knife and clip thereof; FIG. 6 is a top plan view of the lighter holder with knife and clip of thereof; and, FIG. 7 is a bottom elevation view of the lighter holder with knife and clip of thereof.

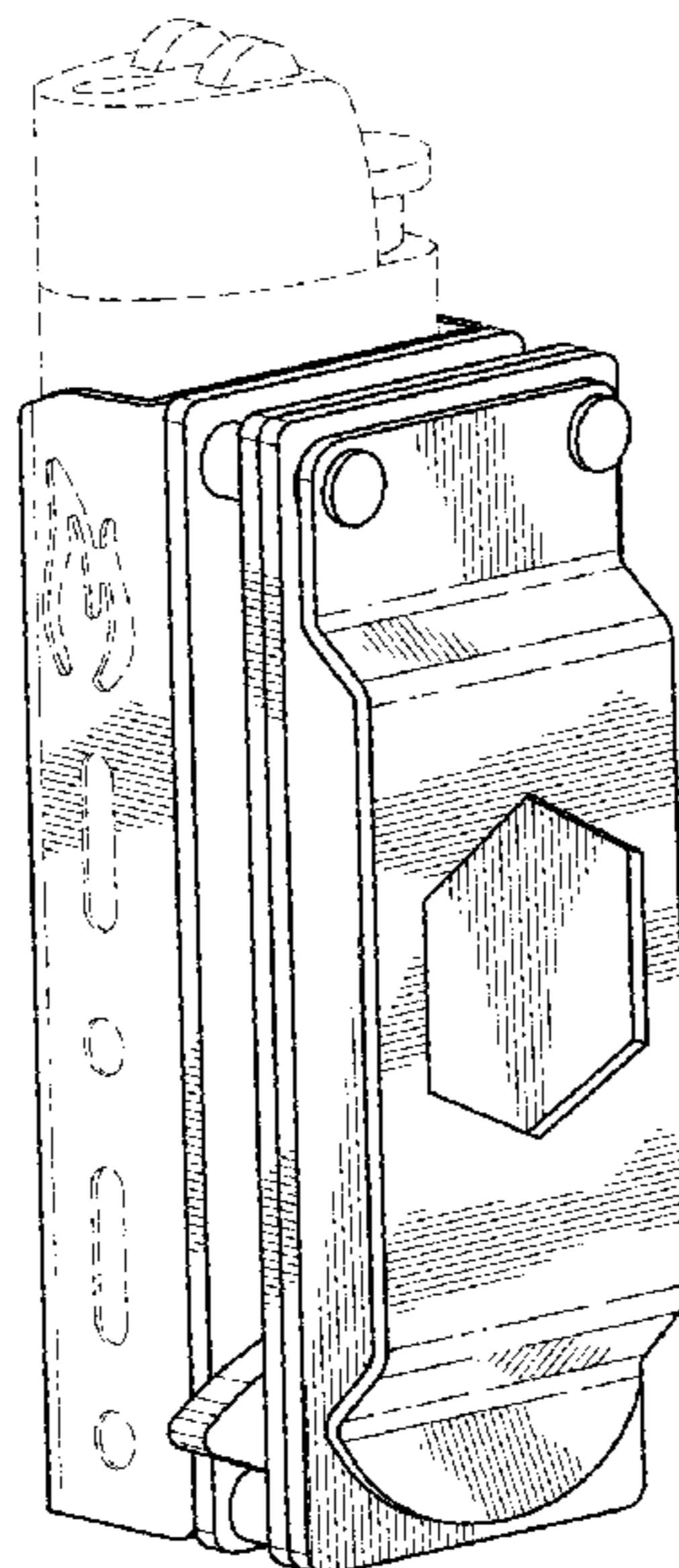
The broken lines show features of the lighter holder with knife and clip that form no part of the claimed design.

(56) **References Cited**

U.S. PATENT DOCUMENTS

- 5,738,117 A * 4/1998 Fontaine, Jr. A24F 13/26
131/249
- 5,888,061 A † 3/1999 Reynolds A24F 13/24
431/253
- D435,691 S † 12/2000 Reynolds D27/143
- D451,635 S † 12/2001 Smith D27/143
- D455,629 S * 4/2002 Ping D8/55
- D457,262 S * 5/2002 Smith D27/157
- D459,834 S † 7/2002 Park D27/143
- D460,211 S † 7/2002 Park D27/143
- D464,168 S † 10/2002 Reynolds D27/142
- D464,463 S † 10/2002 Smith D27/143
- D467,033 S † 12/2002 Smith D27/143
- D468,859 S † 1/2003 Cohen Harel D27/141

1 Claim, 4 Drawing Sheets



(56)

References Cited

U.S. PATENT DOCUMENTS

D634,889	S	‡	3/2011	Park	D27/143
9,055,769	B2	‡	6/2015	Liao	A24F 13/26
D806,313	S	*	12/2017	Penna	D27/194
D832,073	S	‡	10/2018	Lee	D27/142
D852,020	S	*	6/2019	Lee	D8/100
D853,024	S	*	7/2019	Almsberger	D27/195
D853,636	S	‡	7/2019	Jourdan	D27/195
10,632,633	B2	*	4/2020	Bloch	B26B 5/001
2004/0142293	A1	‡	7/2004	Smith	A24F 13/26 431/253

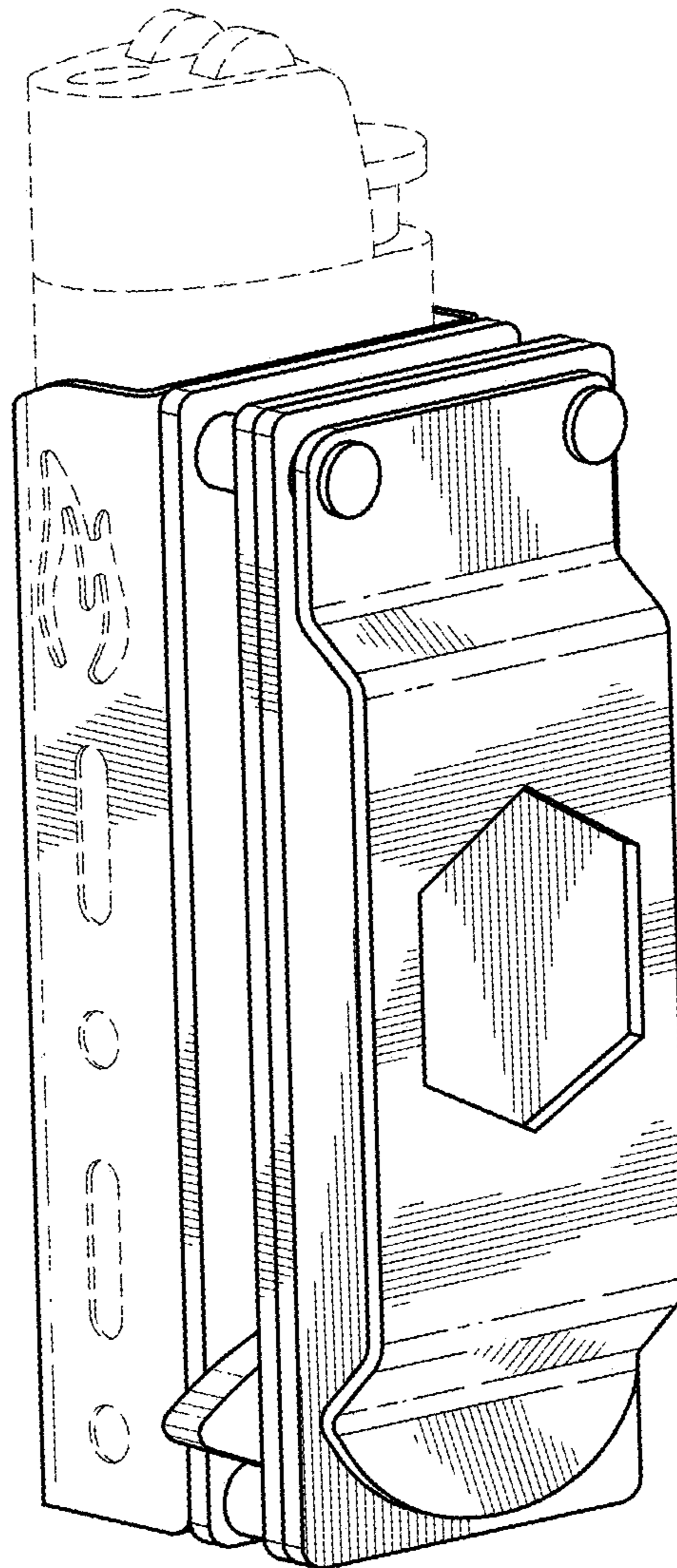
OTHER PUBLICATIONS

P.S Lighter Holder for Regular Lighters W/Folding Knife, Pocket Knife By NEON found on Amazon Mar. 30, 2021 <https://www.amazon.com/P-S-Lighter-Regular-Lighters-Collection/dp/B07XMG456T> (Aug. 13, 2020).‡

* cited by examiner

‡ imported from a related application

FIG. 1



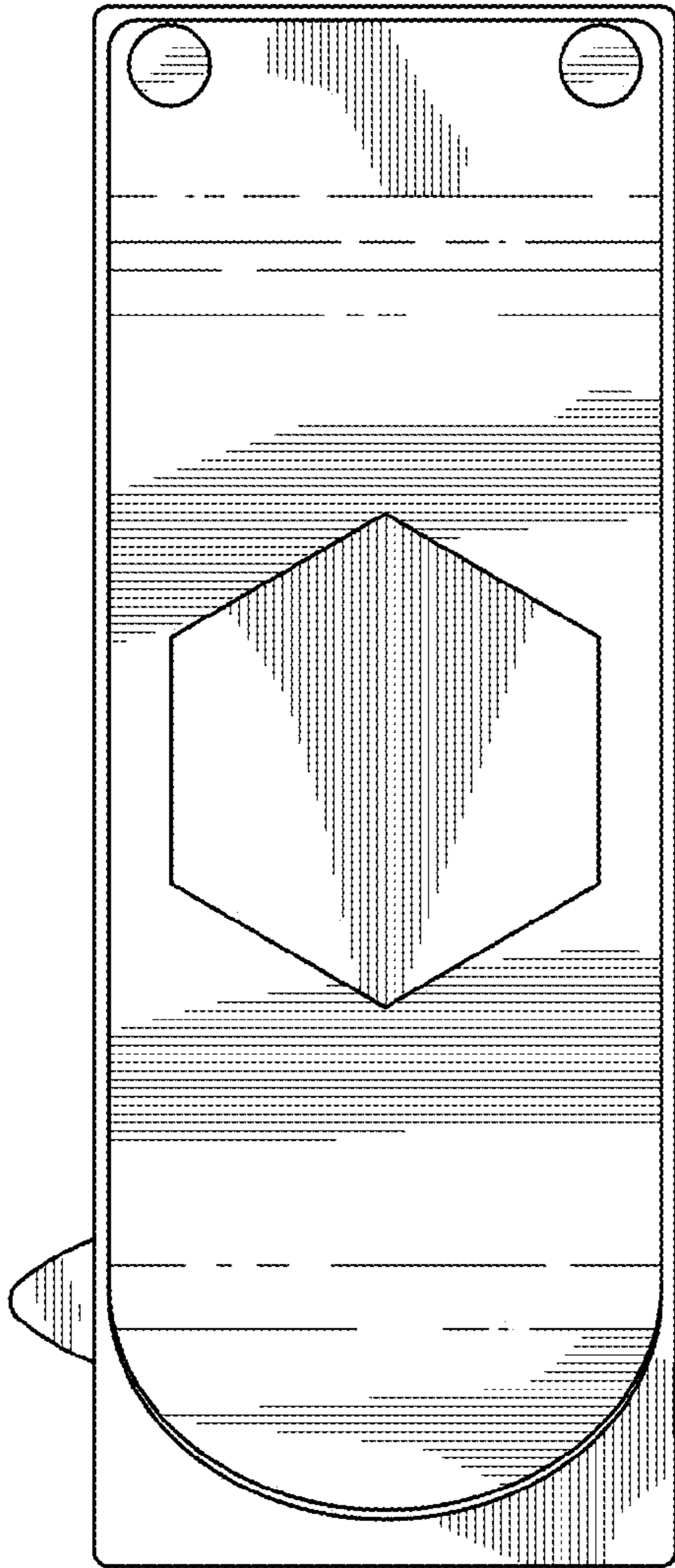


FIG. 2

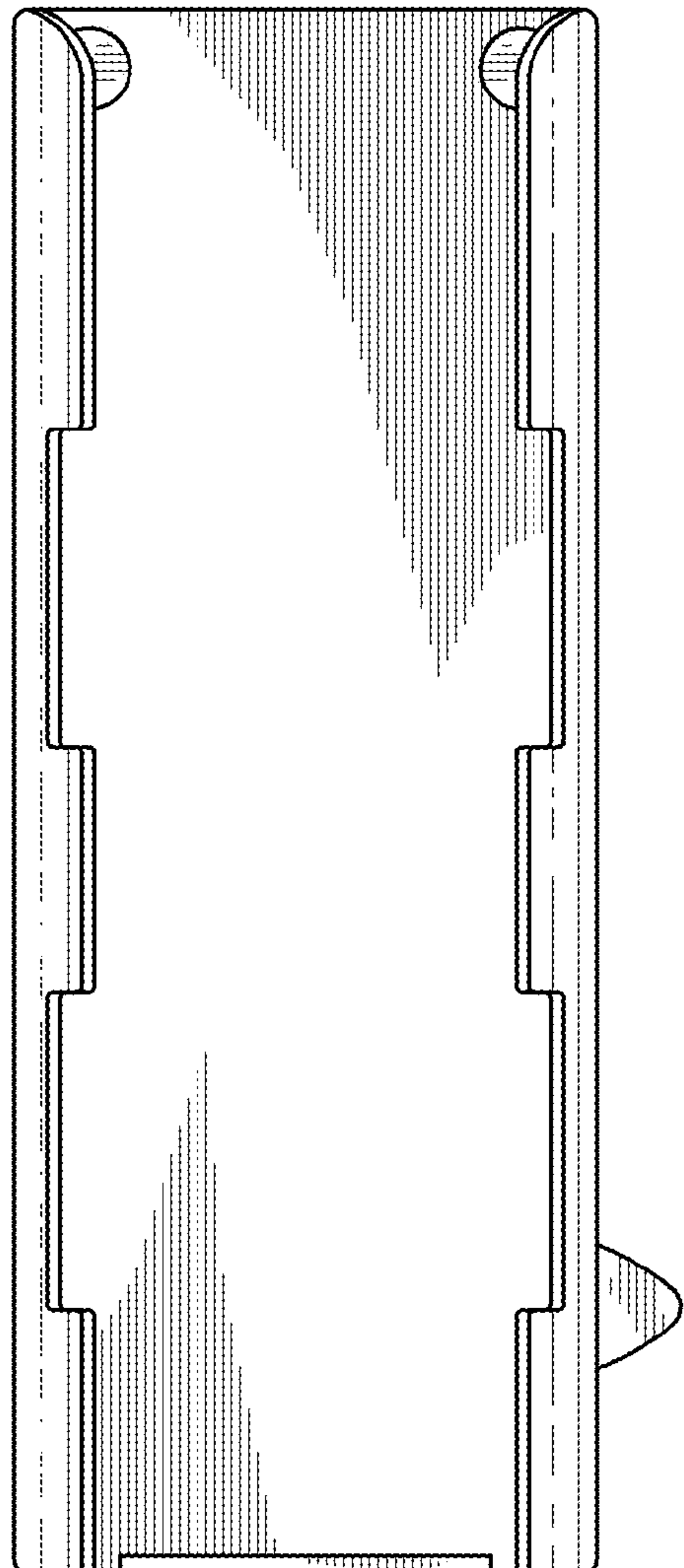


FIG. 3

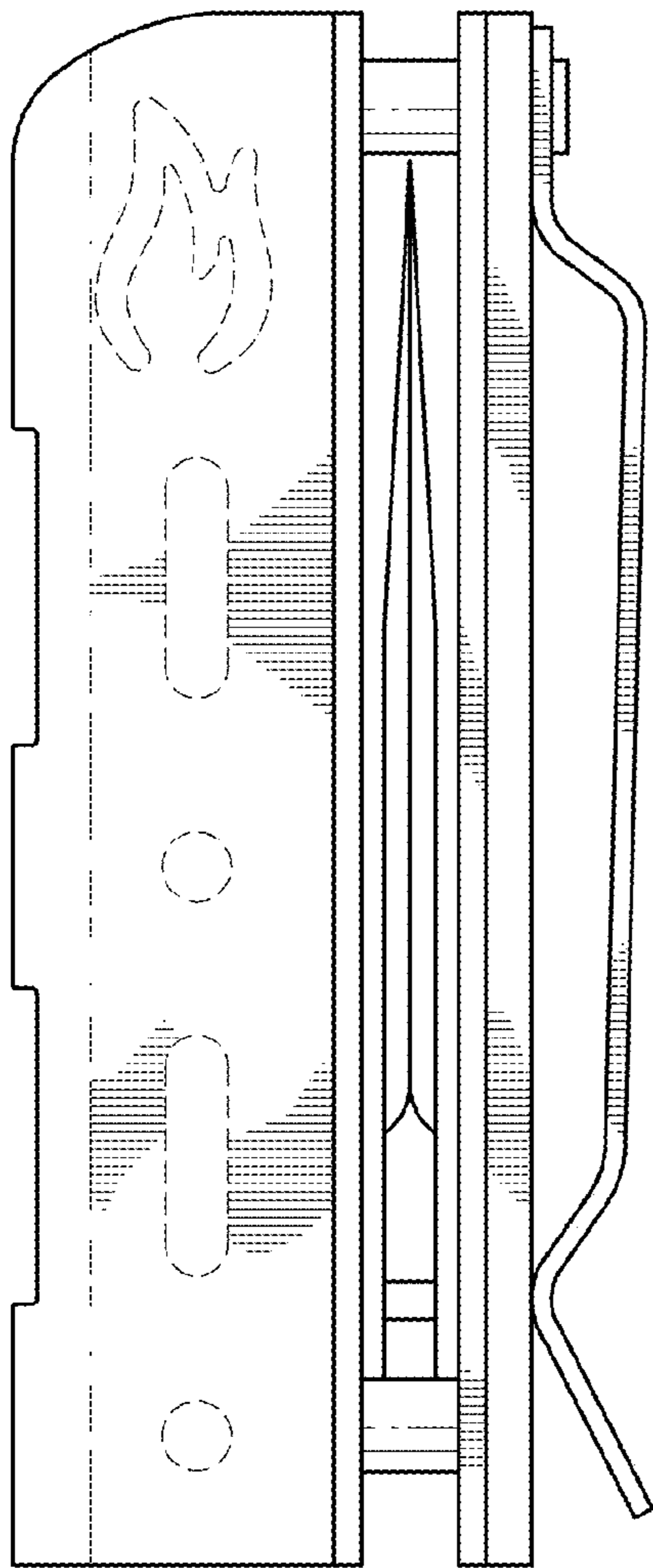


FIG. 4

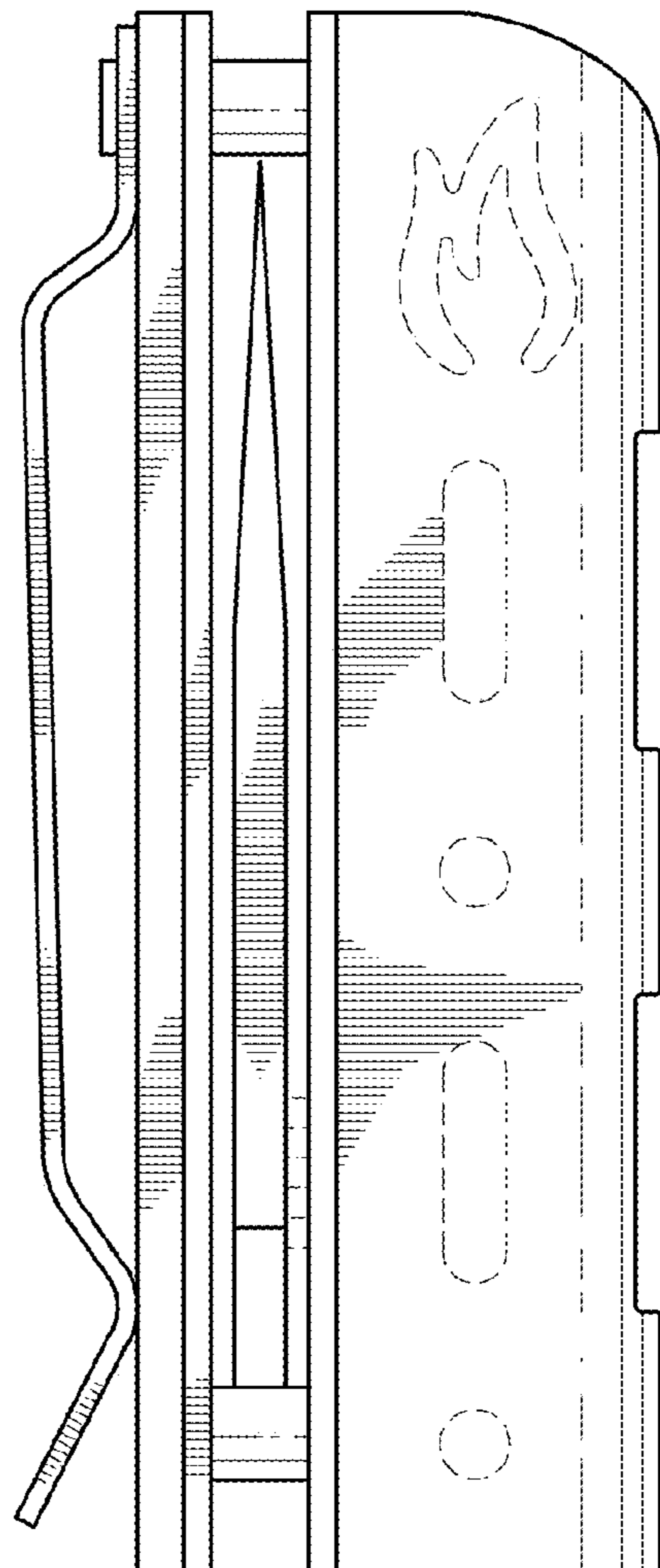


FIG. 5

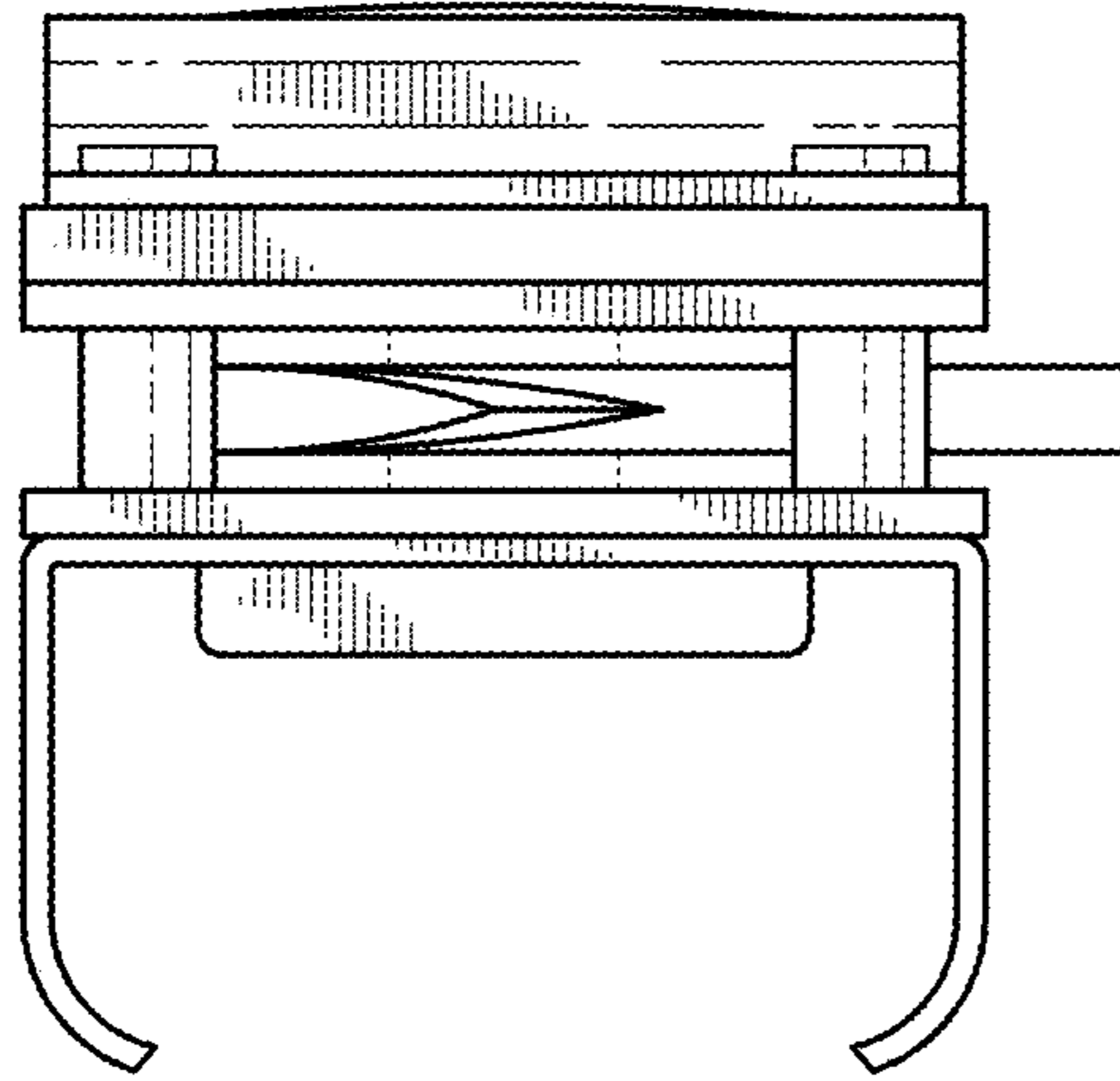


FIG. 6

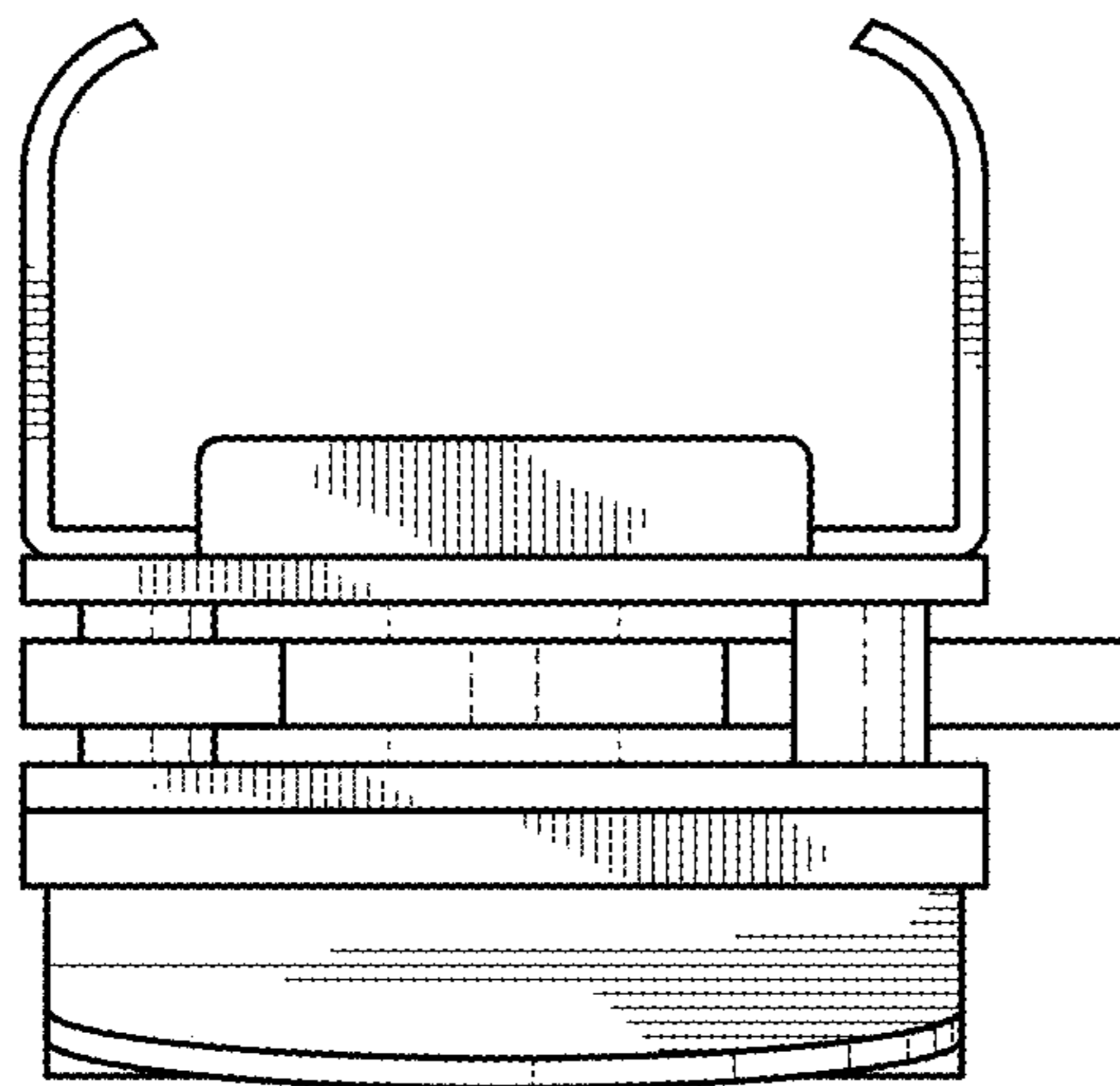


FIG. 7