



US00D959048S

(12) **United States Design Patent** (10) **Patent No.:** **US D959,048 S**
Collum et al. (45) **Date of Patent:** **** Jul. 26, 2022**

(54) **TIP FOR A SMOKABLE ROD**
(71) Applicant: **Swisher International, Inc.**,
Jacksonville, FL (US)
(72) Inventors: **Johnny David Collum**, Jacksonville,
FL (US); **Jim Stronski**, Jacksonville,
FL (US)
(73) Assignee: **SWISHER INTERNATIONAL, INC.**,
Jacksonville, FL (US)

D720,094 S * 12/2014 Alima D27/101
D720,095 S * 12/2014 Alima D27/101
D739,601 S * 9/2015 Bahbah D27/170
D744,696 S * 12/2015 Malhi D27/169
D762,476 S * 8/2016 Velmer D9/504
D786,079 S * 5/2017 Ibáñez D9/558
D815,532 S * 4/2018 Zhou D9/504
10,285,447 B2 * 5/2019 Li A61M 15/06
D883,092 S * 5/2020 Travis D9/504
D902,720 S * 11/2020 Kaye D9/454

(Continued)

(**) Term: **15 Years**

FOREIGN PATENT DOCUMENTS

EM 002506311-0001 7/2014

(21) Appl. No.: **29/784,194**

OTHER PUBLICATIONS

(22) Filed: **May 18, 2021**

Cigar Mouthpiece Holder Tip By: F.E.S.S. (Jan. 28, 2022) [https://www.2daydeliver.com/product_detail.php?id=SKUB00CLG10ME&last_node=Humidor+Accessories&click_src=googleads&gclid=\(Jul.25,2017\).*](https://www.2daydeliver.com/product_detail.php?id=SKUB00CLG10ME&last_node=Humidor+Accessories&click_src=googleads&gclid=(Jul.25,2017).*)

Related U.S. Application Data

(63) Continuation-in-part of application No. 17/245,461,
filed on Apr. 30, 2021.

Primary Examiner — Rebecca Tsehaye

(51) **LOC (13) Cl.** **27-02**

(74) *Attorney, Agent, or Firm* — Lucas & Mercanti LLP

(52) **U.S. Cl.**
USPC **D27/170**

(58) **Field of Classification Search**
USPC D27/170, 171, 172, 180, 181, 193, 194;
D23/360, 366; D24/110, 110.5; D9/416,
D9/500, 504, 529, 545, 688, 772
CPC ... A24D 3/17; A24D 3/04; A24D 3/10; A24D
3/12; A24D 3/00; A24D 1/01; A24D
1/045; A24D 1/047; A24F 13/06; A24F
7/04; A24F 7/00
See application file for complete search history.

(57) **CLAIM**

The ornamental design for a tip for a smokable rod, as shown
and described.

DESCRIPTION

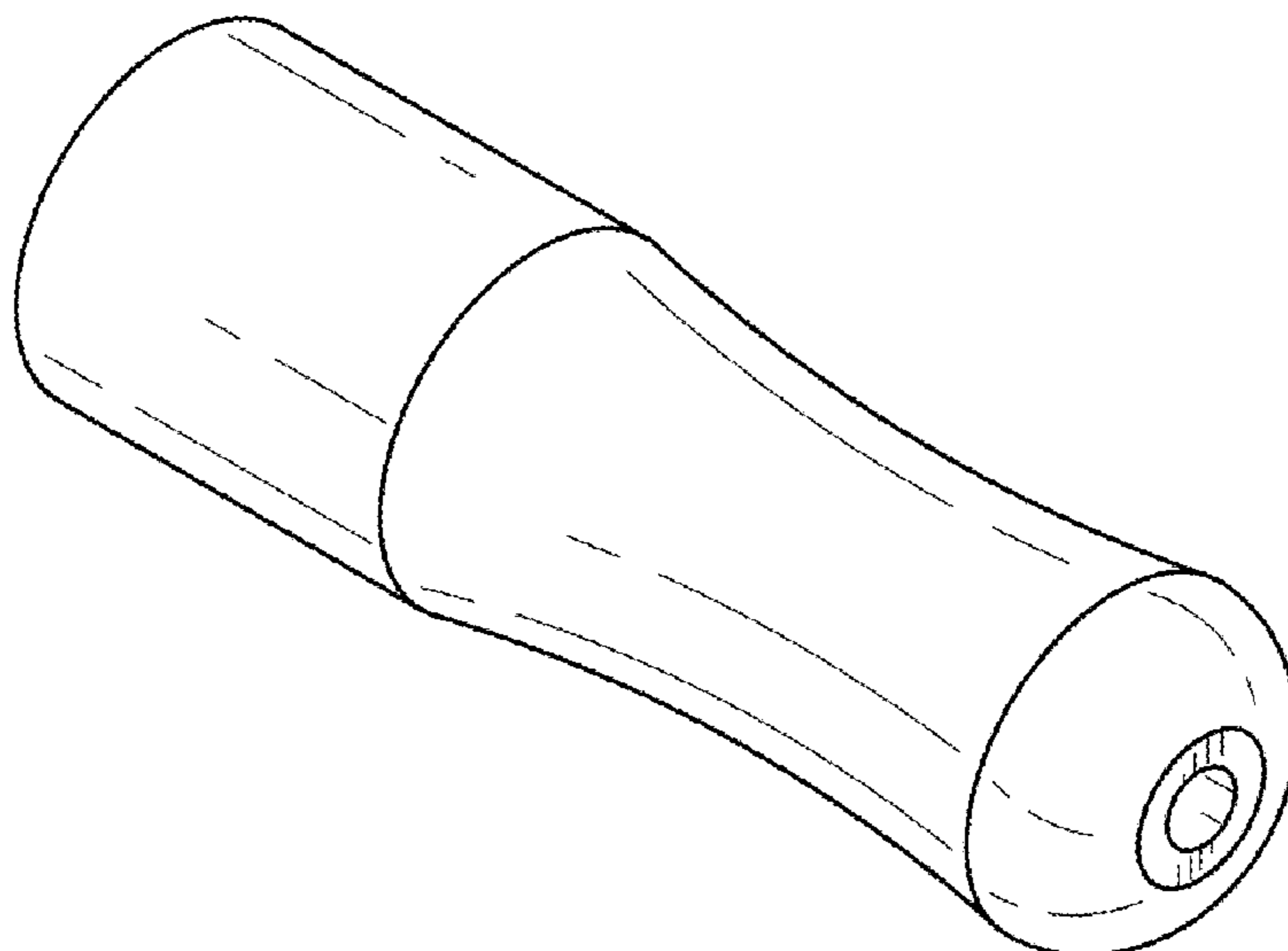
FIG. 1 is a perspective view of a front, a top, and left side
of a tip for a smokable rod showing my new design;
FIG. 2 is a left side view thereof;
FIG. 3 is a rear view thereof;
FIG. 4 is a front view thereof;
FIG. 5 is a right side view thereof;
FIG. 6 is a bottom view thereof; and,
FIG. 7 is a top view thereof.
The broken lines in the drawings depict portions of the tip
or a smokable rod that form no part of the claimed design.

(56) **References Cited**

U.S. PATENT DOCUMENTS

D454,282 S * 3/2002 Mano D7/608
D528,001 S * 9/2006 Schroeder D9/502
D581,742 S * 12/2008 Krus D7/591
D647,802 S * 11/2011 Bunce D9/504
D707,389 S * 6/2014 Liu D27/194

1 Claim, 3 Drawing Sheets



(56)

References Cited

U.S. PATENT DOCUMENTS

D913,580 S * 3/2021 Barenboym D27/170
11,077,262 B2 * 8/2021 Li A61M 15/0021

* cited by examiner

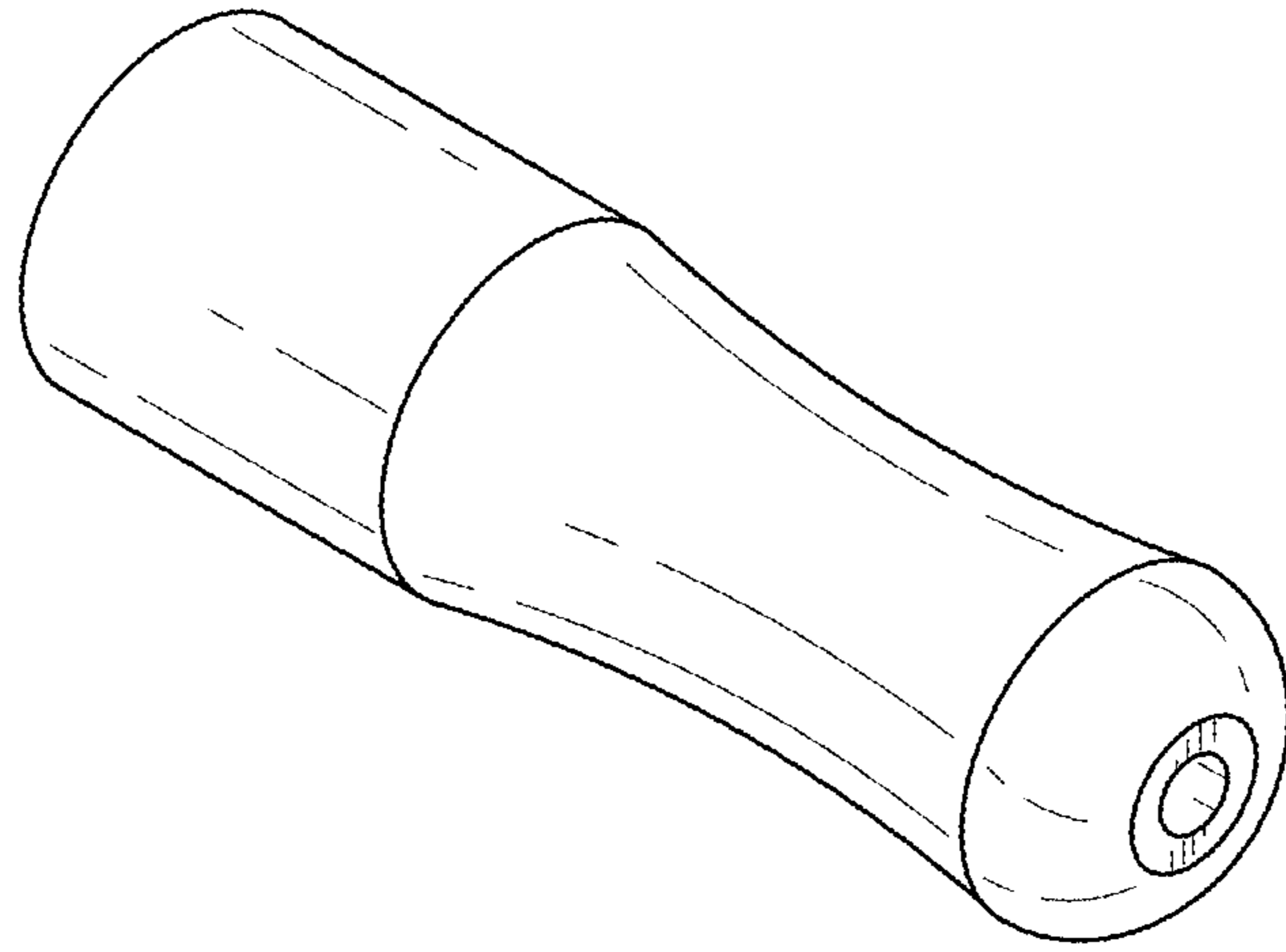


FIG. 1

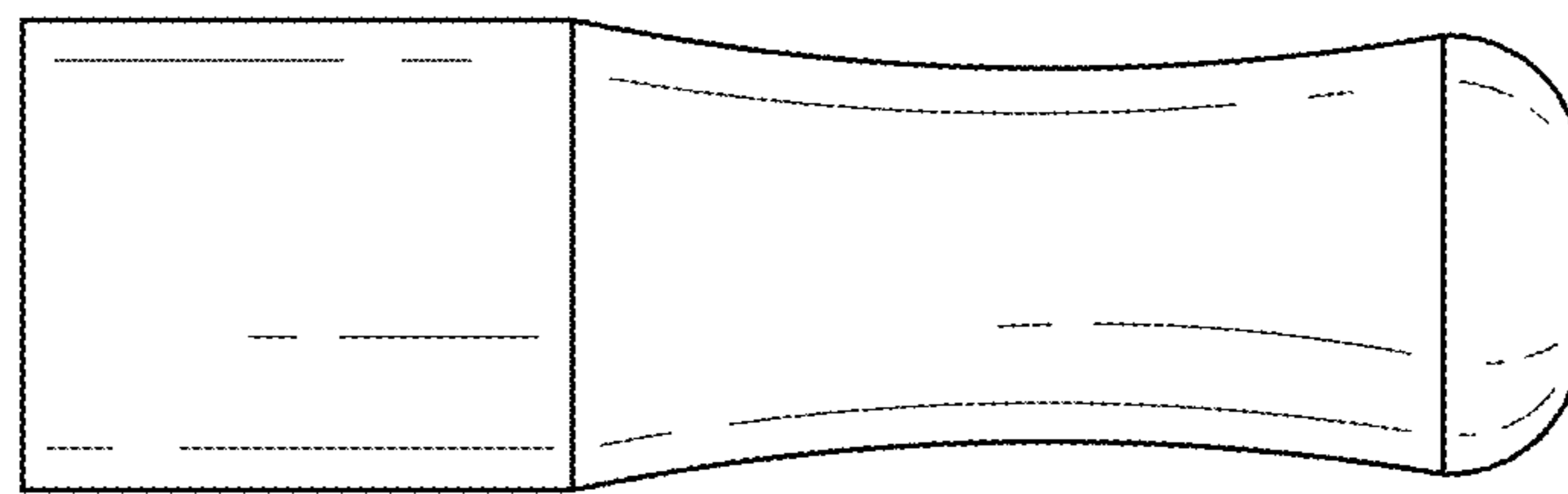


FIG. 2

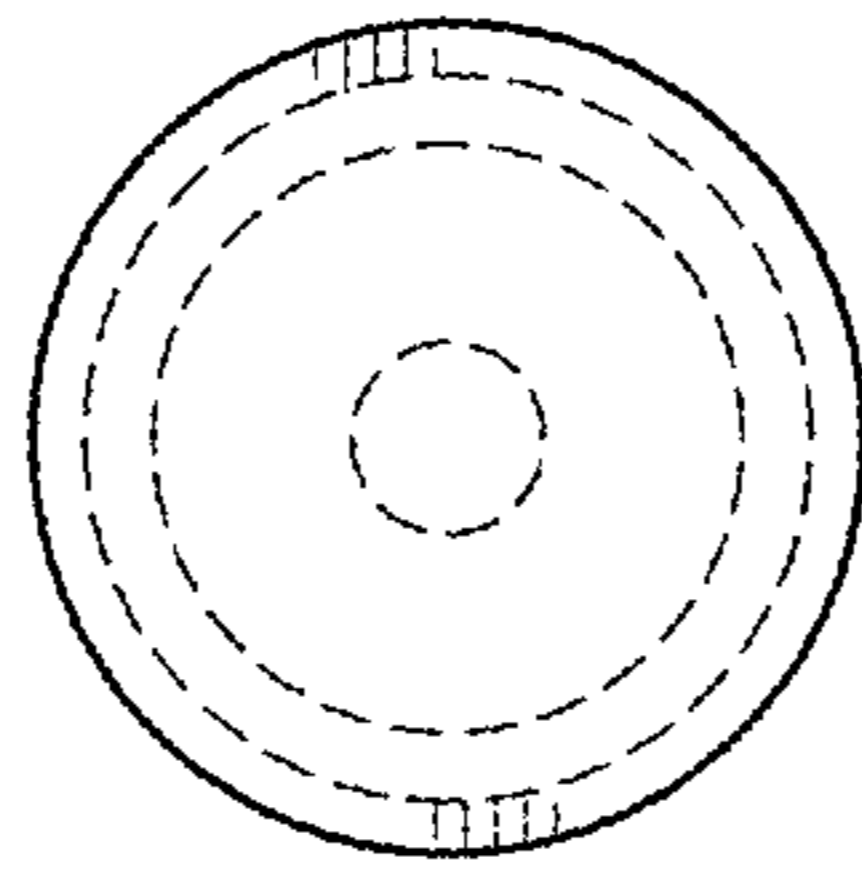


FIG. 3

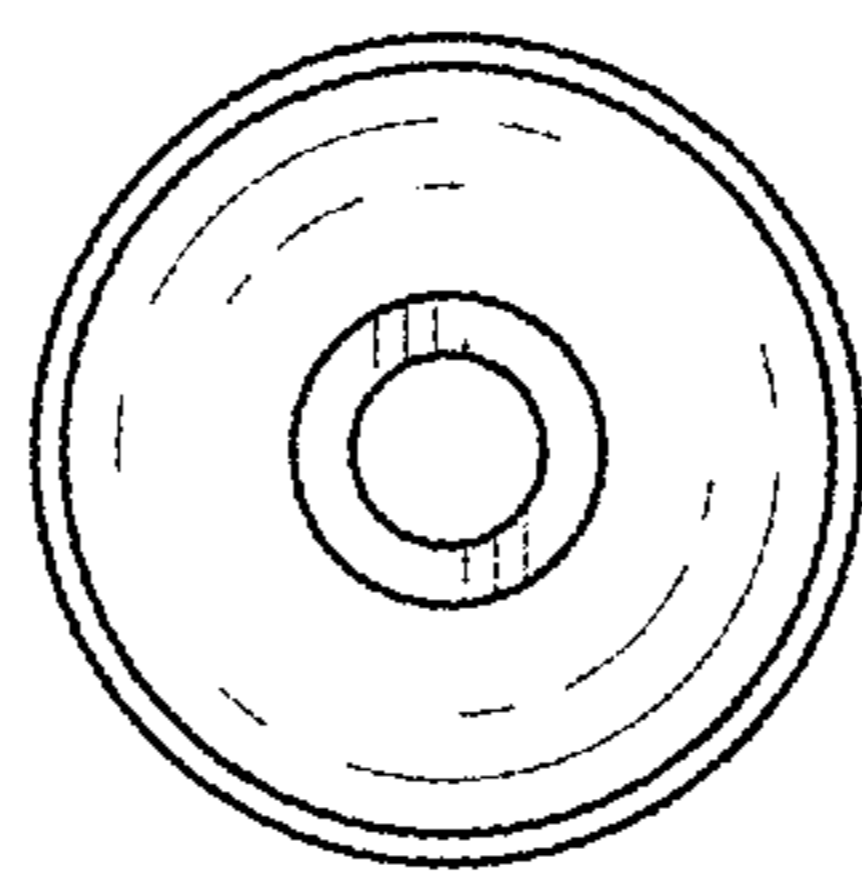


FIG. 4

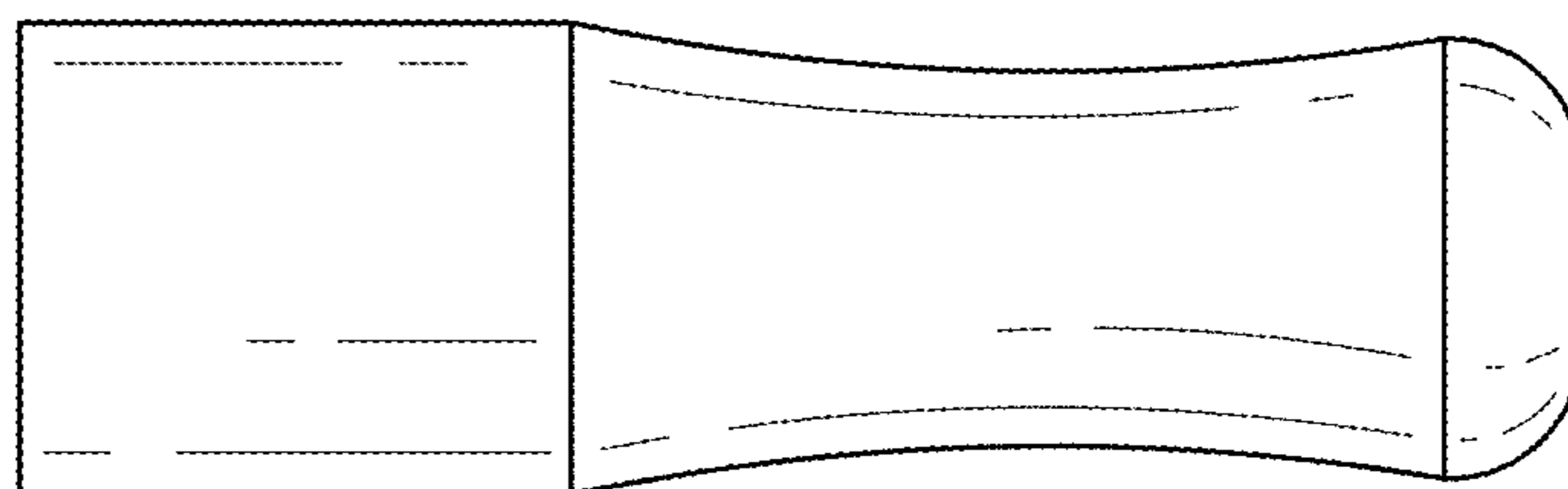


FIG. 5

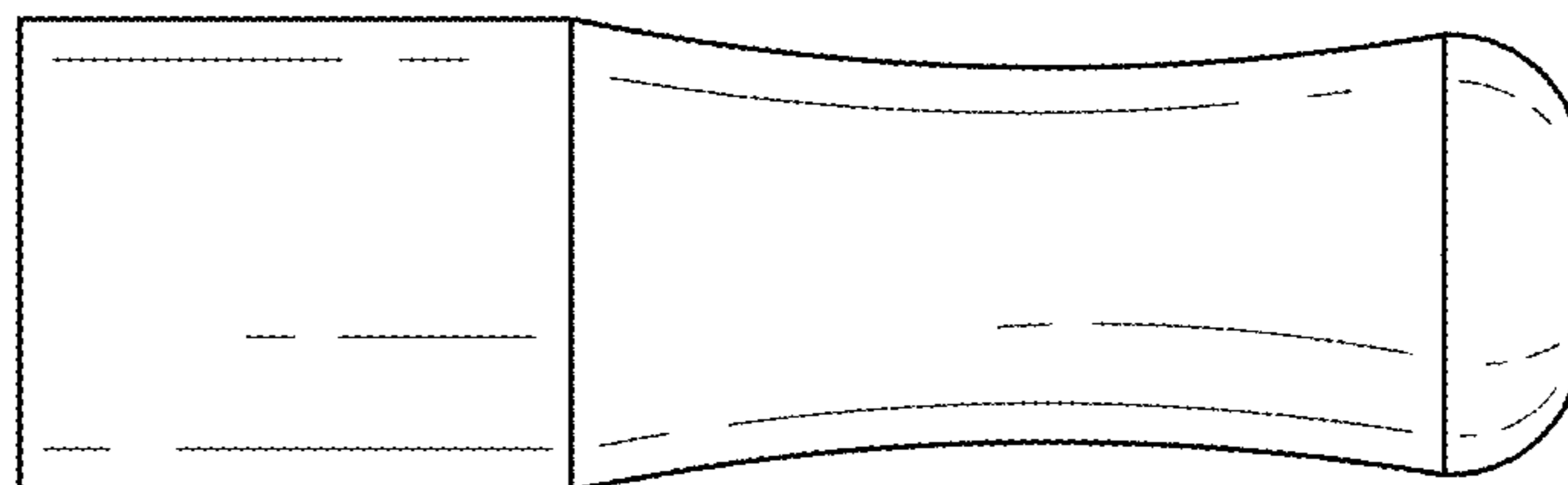


FIG. 6

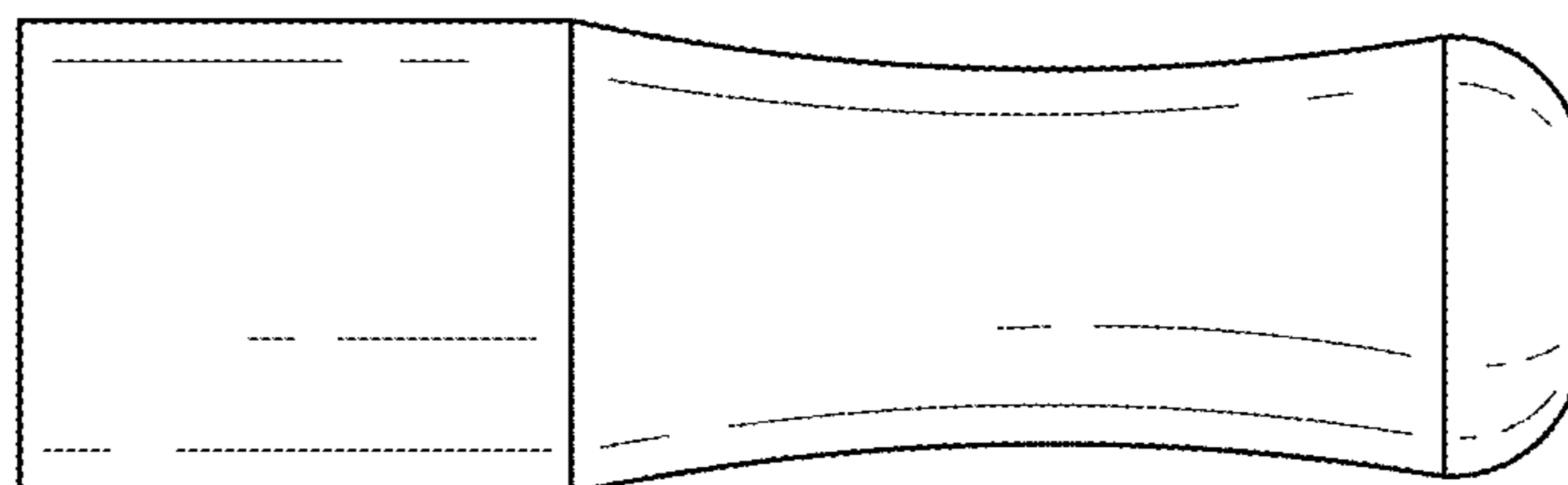


FIG. 7