



US00D959047S

(12) **United States Design Patent**  
**Liu**

(10) **Patent No.:** **US D959,047 S**  
(45) **Date of Patent:** **\*\* Jul. 26, 2022**

- (54) **ELECTRONIC ATOMIZING DEVICE**
- (71) Applicant: **Shenzhen Smoore Technology Limited**, Shenzhen (CN)
- (72) Inventor: **Yu Liu**, Shenzhen (CN)
- (73) Assignee: **SHENZHEN SMOORE TECHNOLOGY LIMITED**, Shenzhen (CN)
- (\*\*) Term: **15 Years**
- (21) Appl. No.: **29/775,918**
- (22) Filed: **Mar. 26, 2021**
- (30) **Foreign Application Priority Data**  
Nov. 19, 2020 (CN) ..... 202030703894.7
- (51) **LOC (13) Cl.** ..... **27-02**
- (52) **U.S. Cl.**  
USPC ..... **D27/162**
- (58) **Field of Classification Search**  
USPC ..... D27/162, 100, 101, 163–165, 172, 174,  
D27/183, 185–194; D13/103, 107–109  
CPC .... A24F 47/002; A24F 47/006; A24F 47/008;  
A61M 15/00; A61M 15/06  
See application file for complete search history.

- D919,881 S \* 5/2021 Carlberg ..... D27/162
- D930,895 S \* 9/2021 Fornarelli ..... D27/162
- D937,474 S \* 11/2021 Qiu ..... D27/162
- D943,160 S \* 2/2022 Cheung ..... D27/162
- D943,172 S \* 2/2022 Li ..... D27/162
- D943,179 S \* 2/2022 Xie ..... D27/162

\* cited by examiner

*Primary Examiner* — Rebecca Tsehaye

(57) **CLAIM**

The ornamental design for an electronic atomizing device, as shown and described.

**DESCRIPTION**

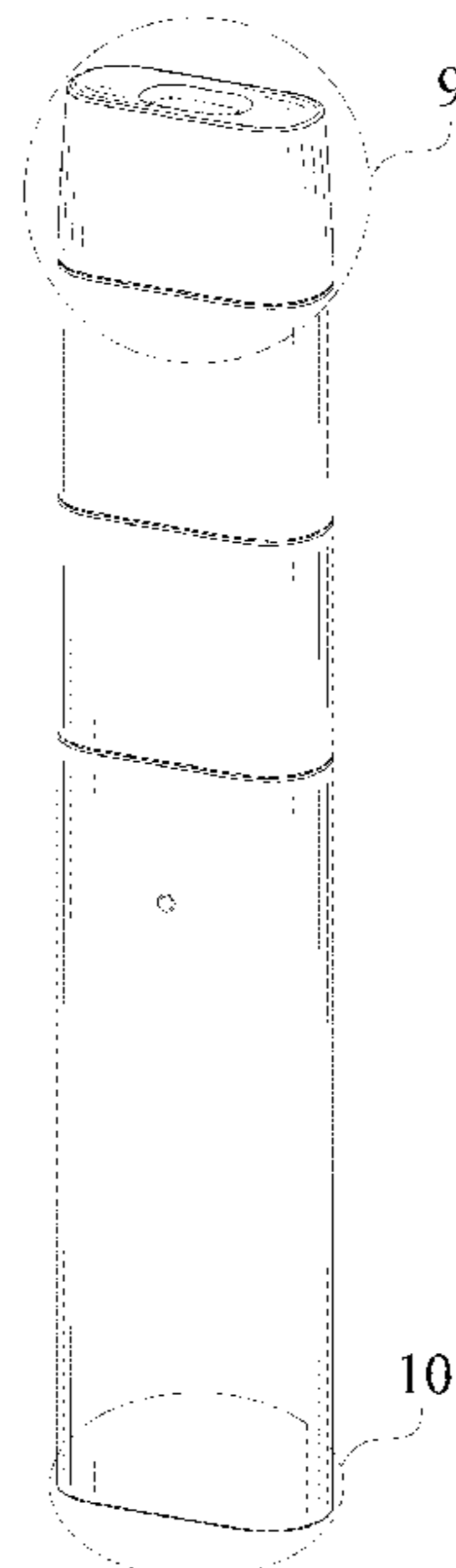
FIG. 1 is a perspective view of an electronic atomizing device according to a first embodiment of my design; FIG. 2 is another perspective view thereof; FIG. 3 is a front elevational view thereof; FIG. 4 is a rear elevational view thereof; FIG. 5 is a left side elevational view thereof; FIG. 6 is a right side elevational view thereof; FIG. 7 is an enlarged top plan view thereof; FIG. 8 is an enlarged bottom plan view thereof; FIG. 9 is an enlarged view of area 9 circumscribed in FIG. 1; FIG. 10 is an enlarged view of area 10 circumscribed in FIG. 1; and, FIG. 11 is an enlarged view of area 11 circumscribed in FIG. 2.

The broken lines consisting of evenly spaced dash lines in the drawings depict portions of the electronic atomizing device that form no part of the claimed design; The broken lines consisting of short and long dash lines encircling the enlarged detail views are for annotative purposes that form no part of the claimed design.

Oblique lines on the surfaces of the electronic atomizing device indicate that those surfaces are transparent.

**1 Claim, 11 Drawing Sheets**

- (56) **References Cited**  
**U.S. PATENT DOCUMENTS**  
D792,643 S \* 7/2017 Wong ..... D27/101  
D799,110 S \* 10/2017 Qiu ..... D27/101  
D855,251 S \* 7/2019 Qiu ..... D27/162  
D888,934 S \* 6/2020 Nguyen ..... D24/110  
D902,474 S \* 11/2020 Chen ..... D27/101  
D903,937 S \* 12/2020 Chimbuya ..... D27/162  
D903,938 S \* 12/2020 Chimbuya ..... D27/162  
D908,952 S \* 1/2021 Guo ..... D27/101



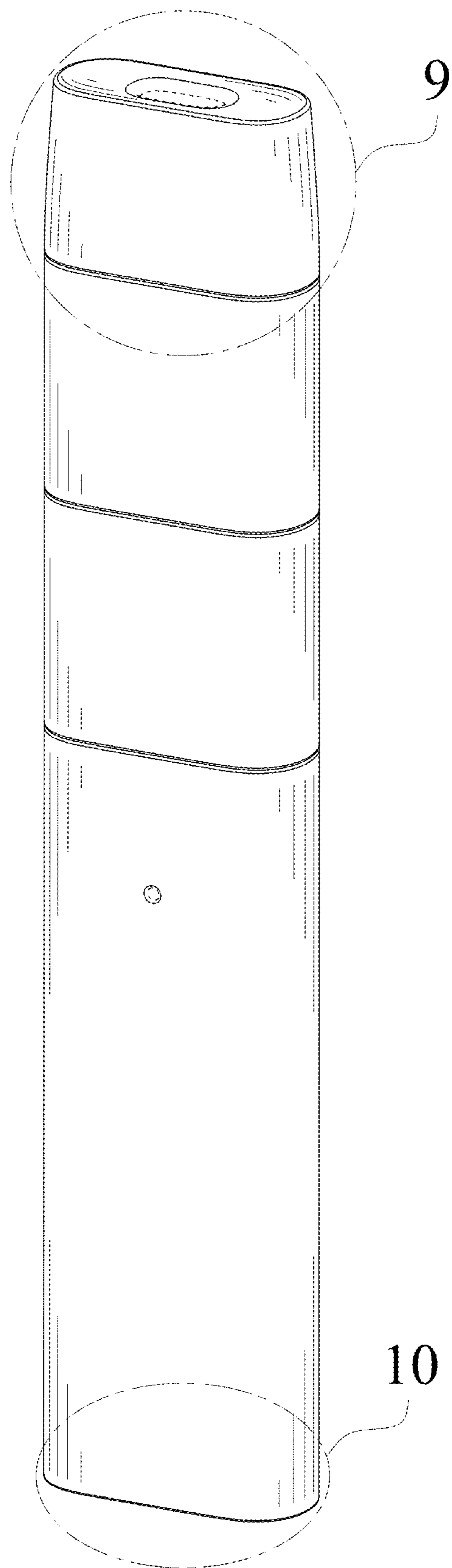


FIG. 1

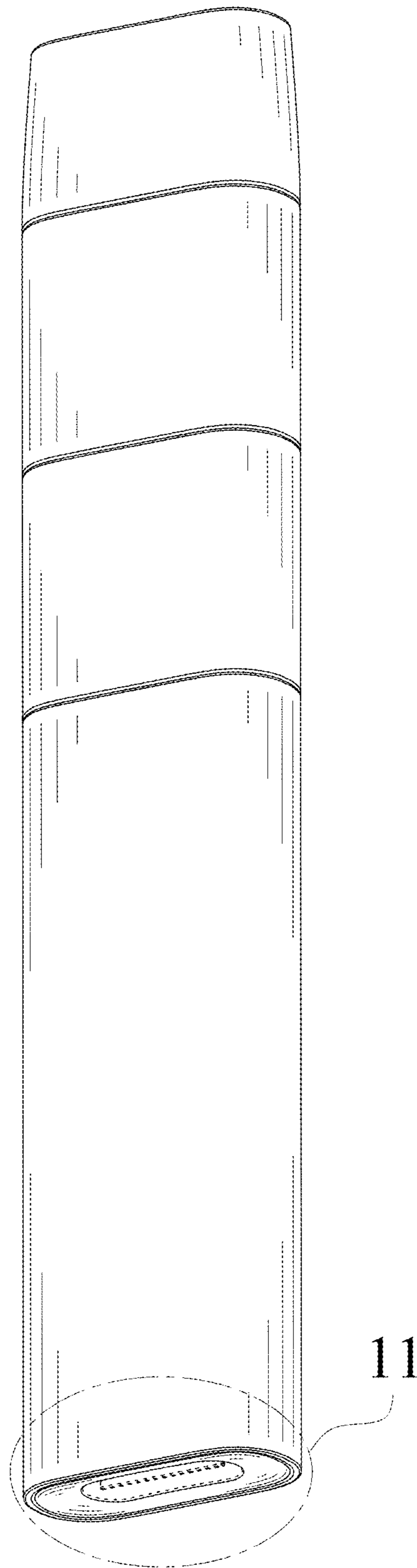


FIG. 2

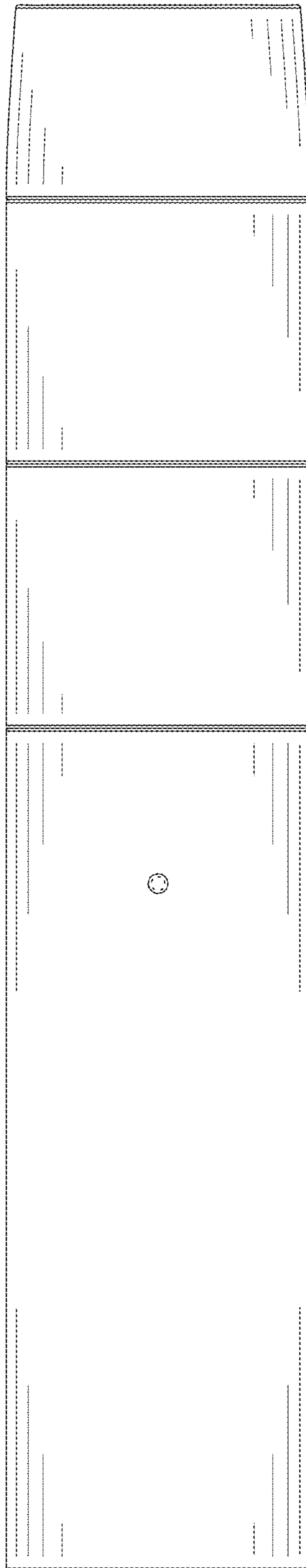


FIG. 3

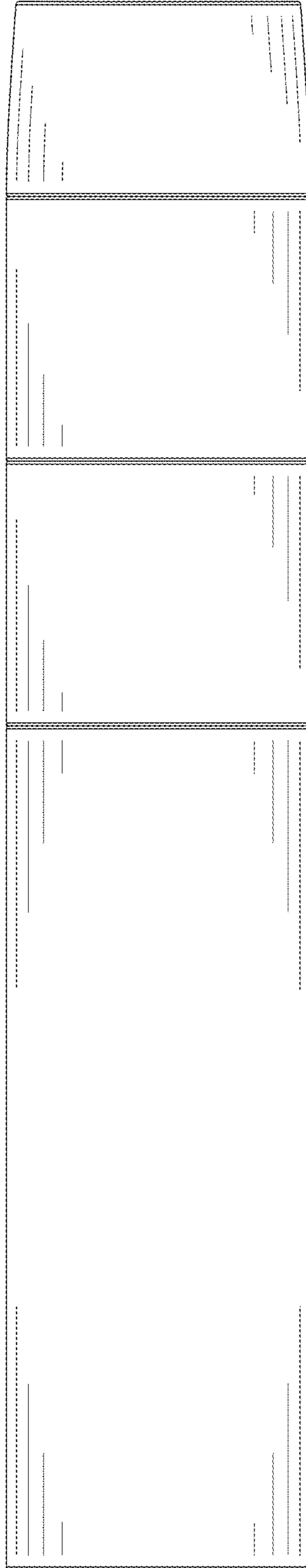


FIG. 4

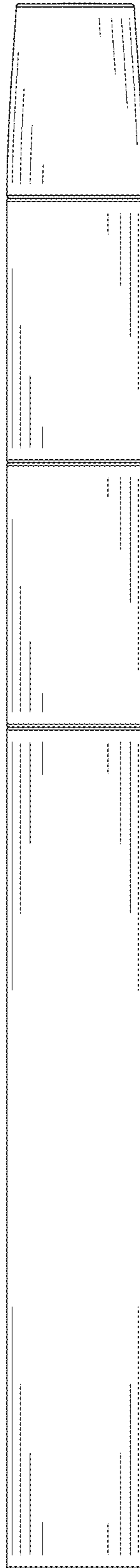


FIG. 5

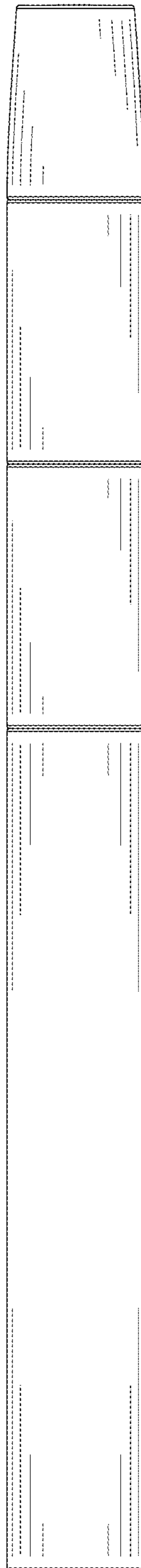


FIG. 6

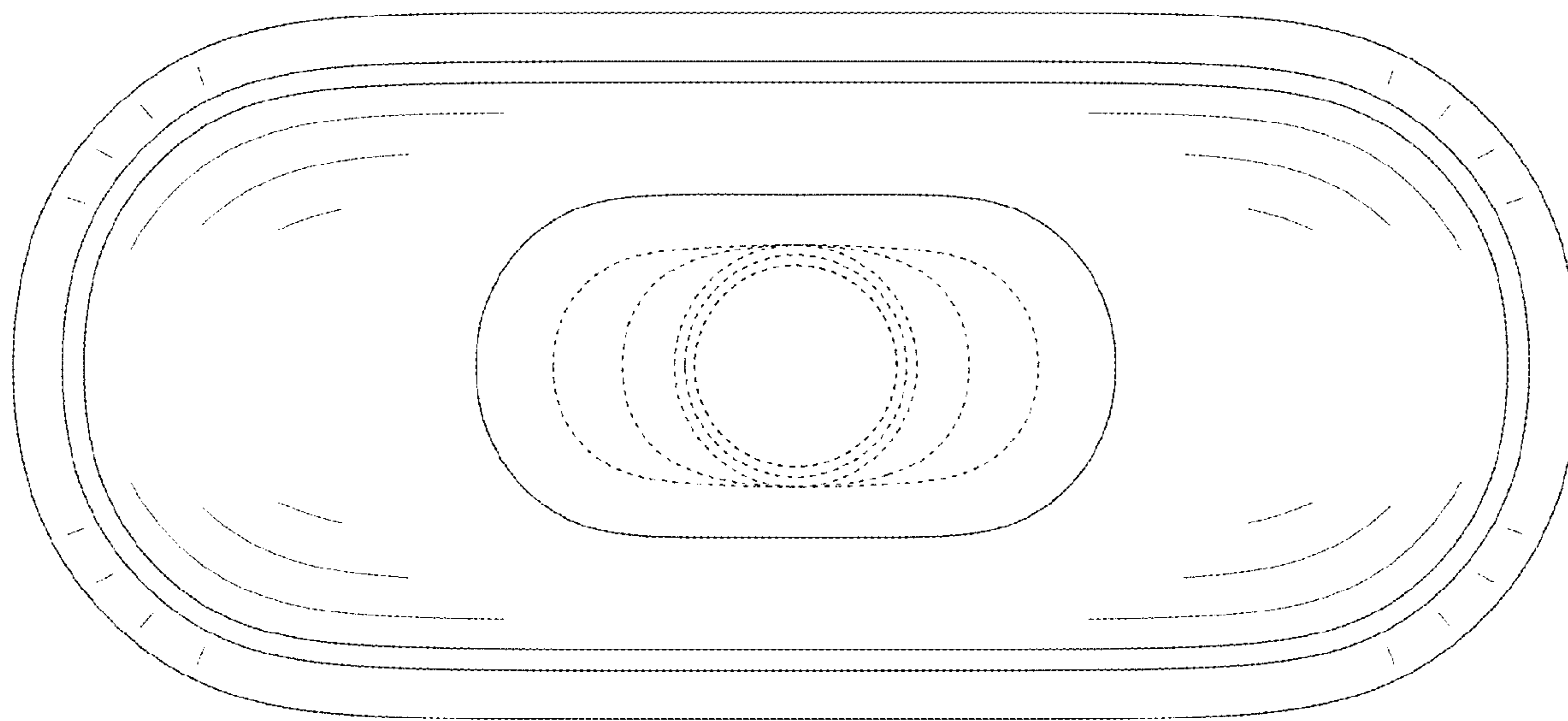


FIG. 7



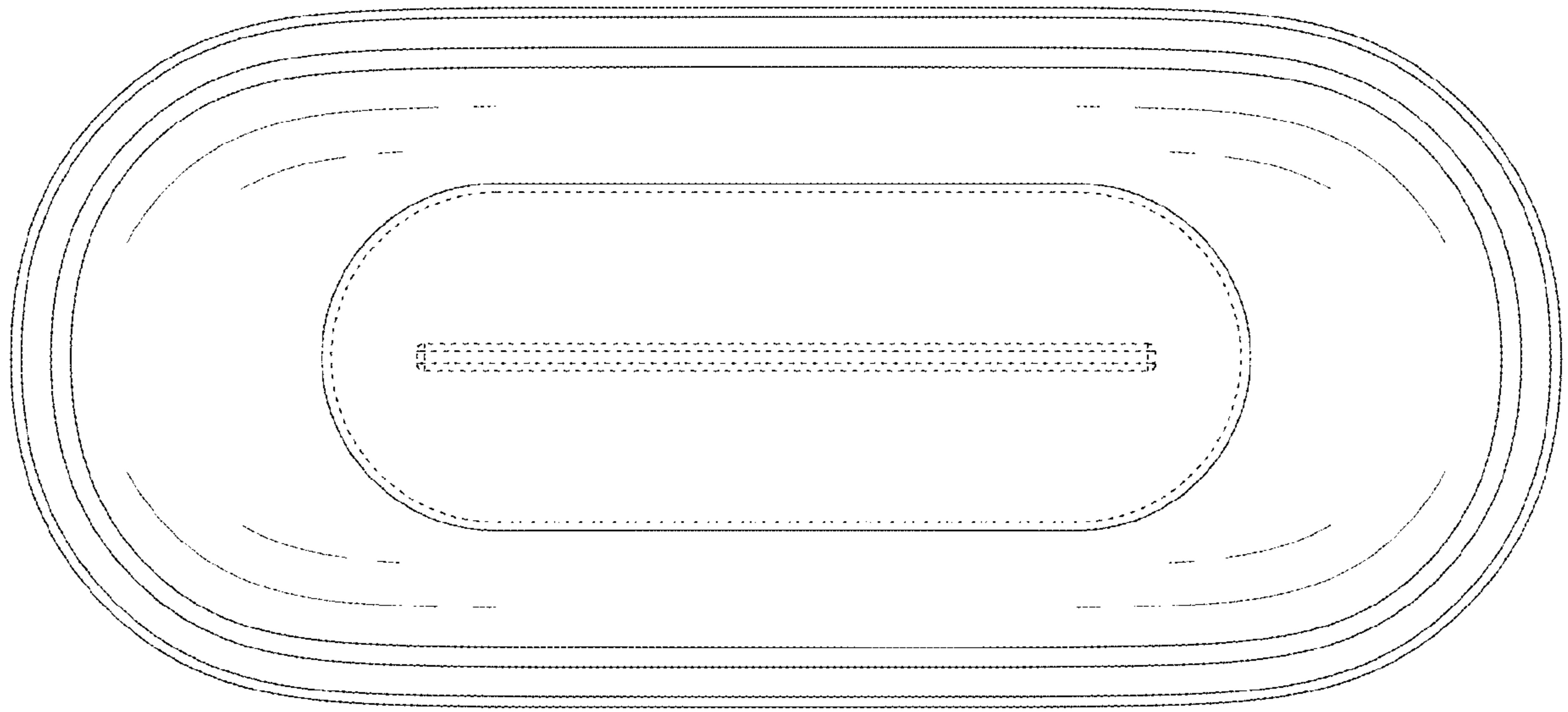


FIG. 8

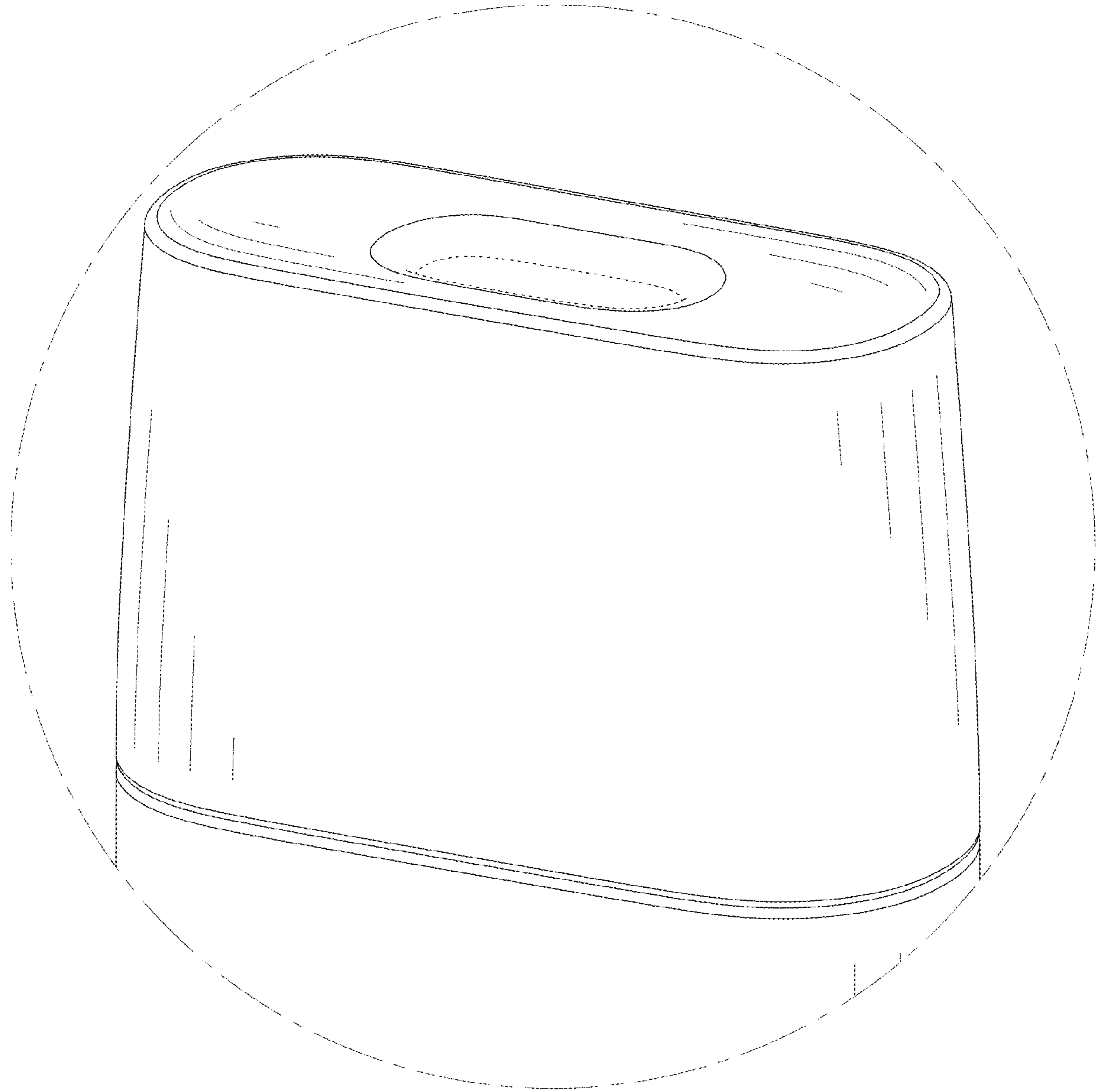


FIG. 9

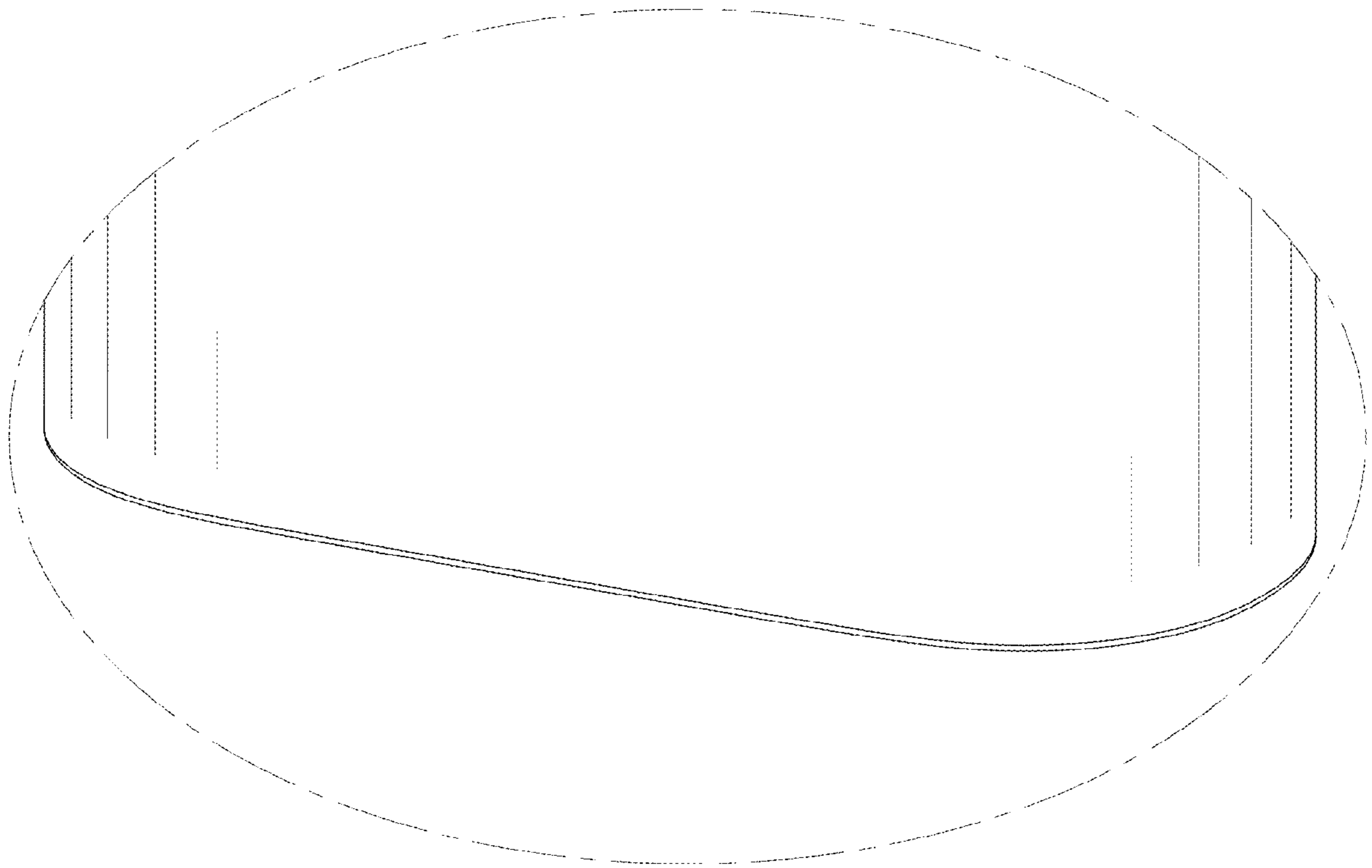


FIG. 10

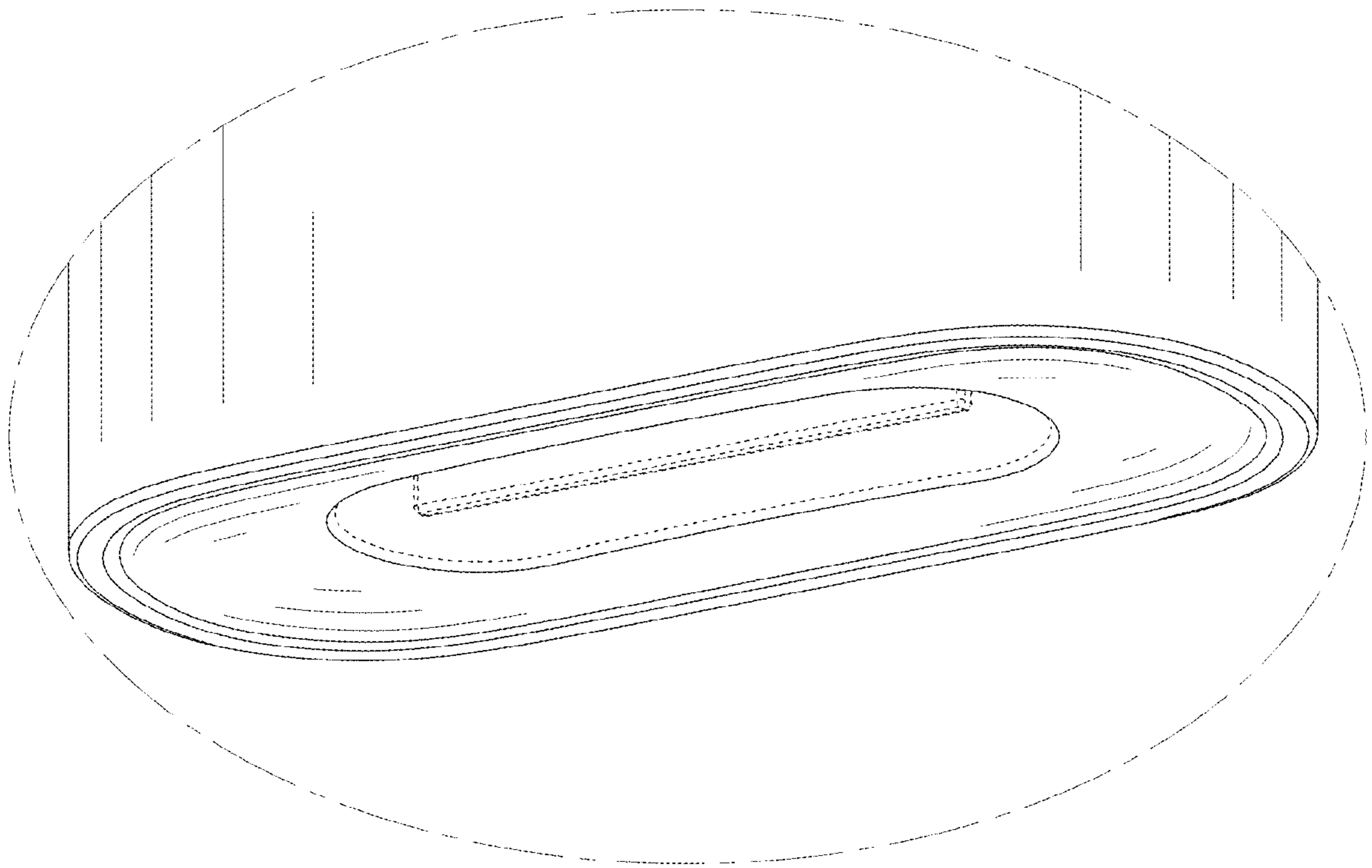


FIG. 11