

US00D959044S

(12) **United States Design Patent** (10) **Patent No.:** **US D959,044 S**  
**Gu** (45) **Date of Patent:** **\*\* Jul. 26, 2022**

- (54) **FLOOR LAMP**
- (71) Applicant: **SHENZHEN BLING LIGHTING TECHNOLOGIES CO., LTD,**  
Shenzhen (CN)
- (72) Inventor: **Hulin Gu,** Xiamen (CN)
- (73) Assignee: **SHENZHEN BLING LIGHTING TECHNOLOGIES CO., LTD,**  
Shenzhen (CN)
- (\*\*) Term: **15 Years**
- (21) Appl. No.: **29/756,512**
- (22) Filed: **Oct. 29, 2020**
- (51) **LOC (13) Cl.** ..... **26-05**
- (52) **U.S. Cl.**  
USPC ..... **D26/93; D26/105; D26/106**
- (58) **Field of Classification Search**  
USPC .... **D26/24, 61, 62, 66, 76, 85, 93, 102, 105, D26/106, 107, 108, 118**  
CPC .. **F21S 6/002; F21S 6/003; F21S 6/004; F21S 6/005; F21S 6/006; F21S 6/007; F21S 8/00; F21S 8/032; F21S 10/00; F21S 10/02; F21S 10/06; F21S 10/007; F21W 2131/30; F21W 2131/301; F21V 21/00; F21V 21/02; F21V 21/06**  
See application file for complete search history.

D780,982 S *	3/2017	Starck	.....	D26/110
D788,972 S *	6/2017	Araiza	.....	D26/112
D805,677 S *	12/2017	Starck	.....	D26/110
D876,705 S *	2/2020	Tang	.....	D26/107
D876,706 S *	2/2020	Tang	.....	D26/107
D876,707 S *	2/2020	Tang	.....	D26/110
D876,708 S *	2/2020	Tang	.....	D26/110
D905,321 S *	12/2020	Tang	.....	D26/110
D937,470 S *	11/2021	Van Duysen	.....	D26/107
D938,094 S *	12/2021	Wang	.....	D26/106
D943,138 S *	2/2022	Wang	.....	D26/106
D948,104 S *	4/2022	Gu	.....	D26/107
2007/0159834 A1 *	7/2007	Chen	.....	H05B 39/085 362/410
2010/0053951 A1 *	3/2010	Hsieh	.....	F21S 6/007 362/235

\* cited by examiner

*Primary Examiner* — Wan Laymon  
*Assistant Examiner* — Clint A Samuel

(57) **CLAIM**

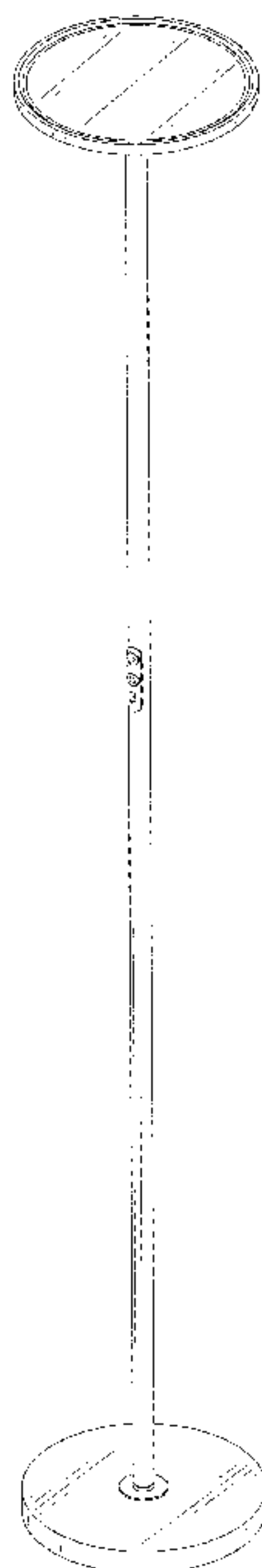
The ornamental design for a floor lamp, as shown and described.

**DESCRIPTION**

FIG. 1 is a perspective view of a floor lamp showing my new design;  
FIG. 2 is another perspective view thereof;  
FIG. 3 is a front elevational view thereof;  
FIG. 4 is a rear elevational view thereof;  
FIG. 5 is a left side elevational view thereof;  
FIG. 6 is a right side elevational view thereof;  
FIG. 7 is a top plan view thereof; and,  
FIG. 8 is a bottom plan view thereof.  
The broken lines in the drawings depict portions of the floor lamp that form no part of the claimed design.

**1 Claim, 8 Drawing Sheets**

- (56) **References Cited**  
U.S. PATENT DOCUMENTS  
D368,548 S \* 4/1996 Lee ..... D26/93  
D469,563 S \* 1/2003 Irvine ..... D26/108  
D580,090 S \* 11/2008 Kubler ..... D26/105  
D757,987 S \* 5/2016 Lee ..... D26/102



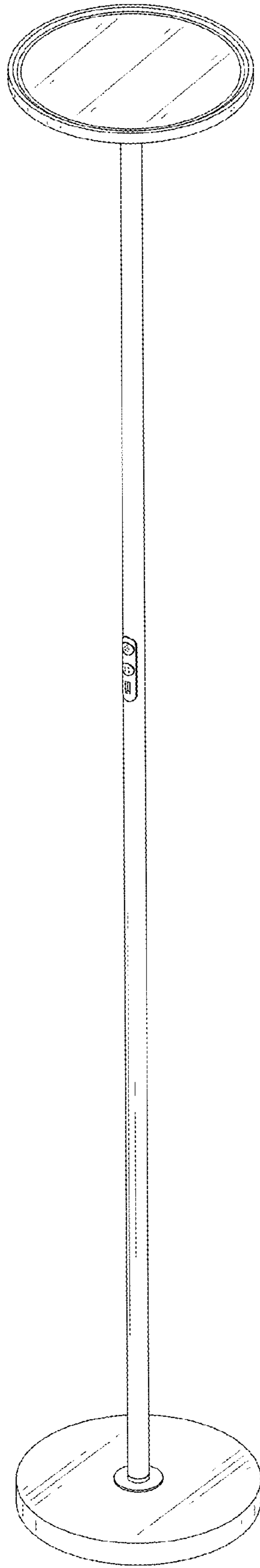


FIG. 1

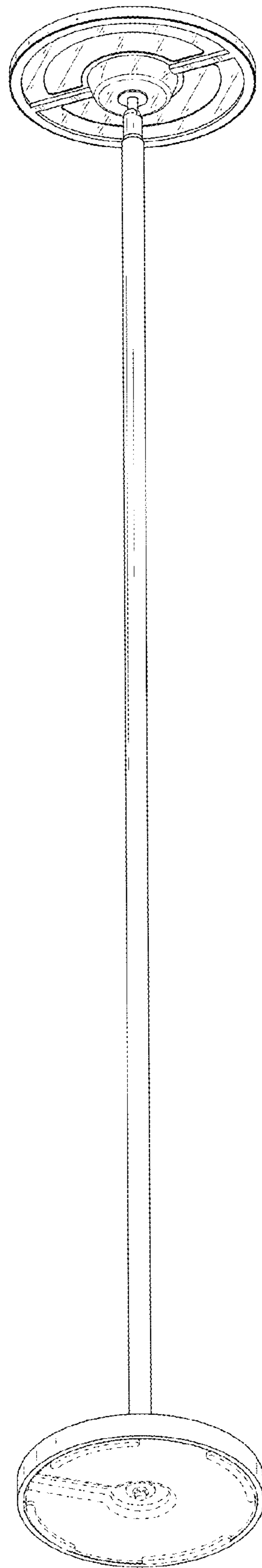


FIG. 2

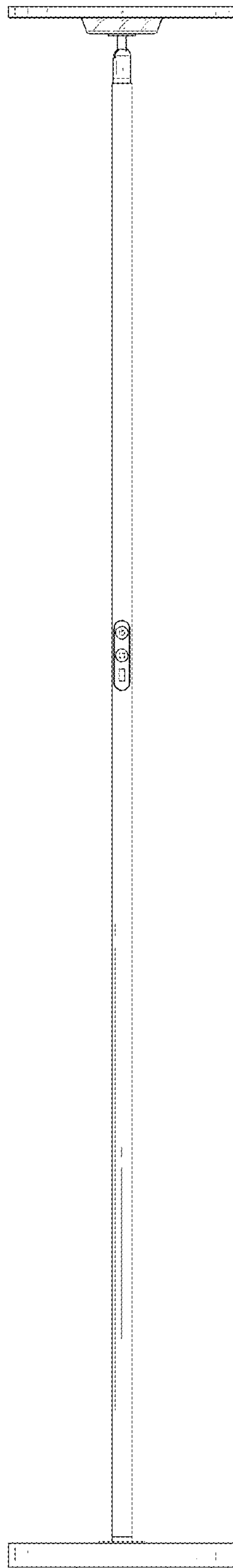


FIG. 3

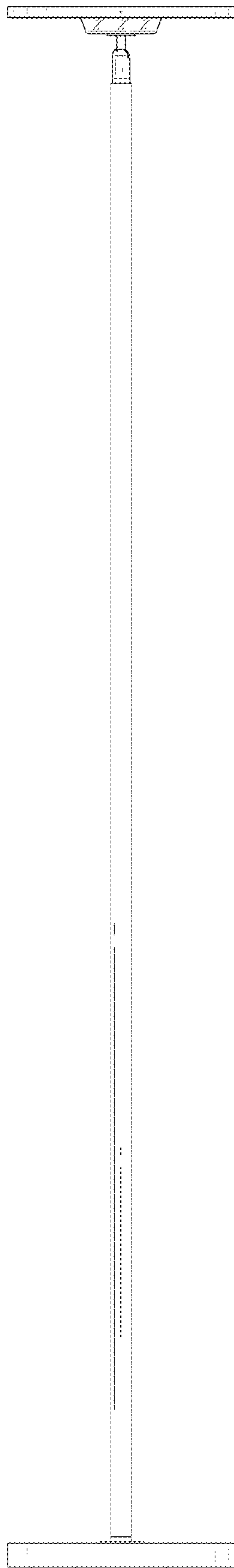


FIG. 4

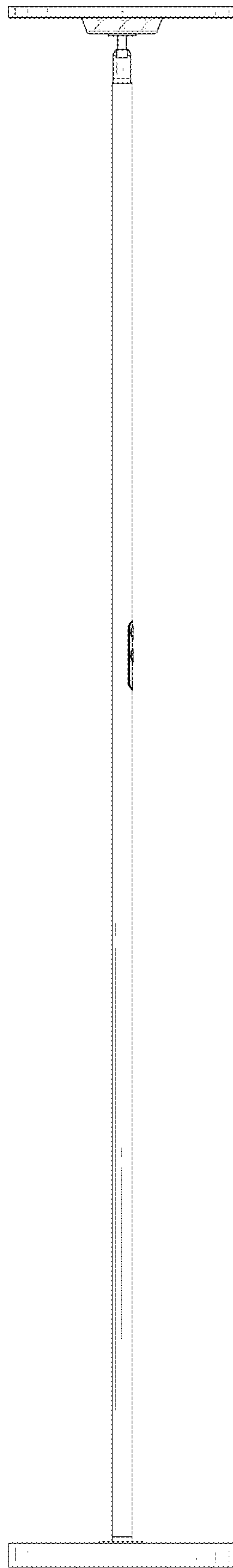


FIG. 5

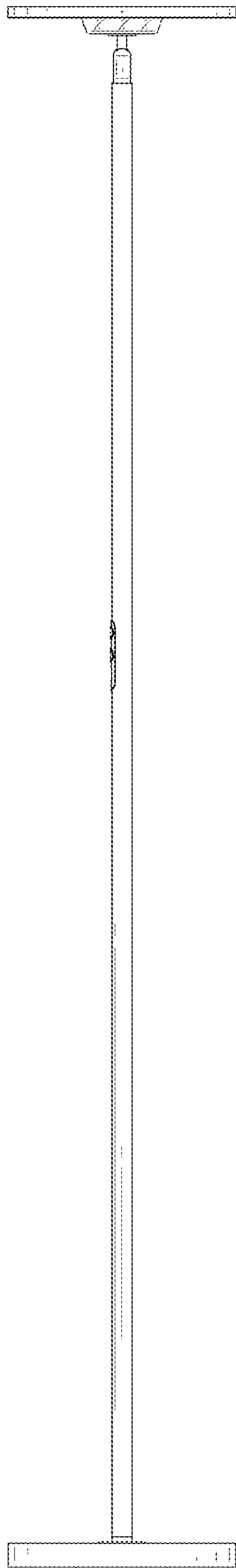


FIG. 6

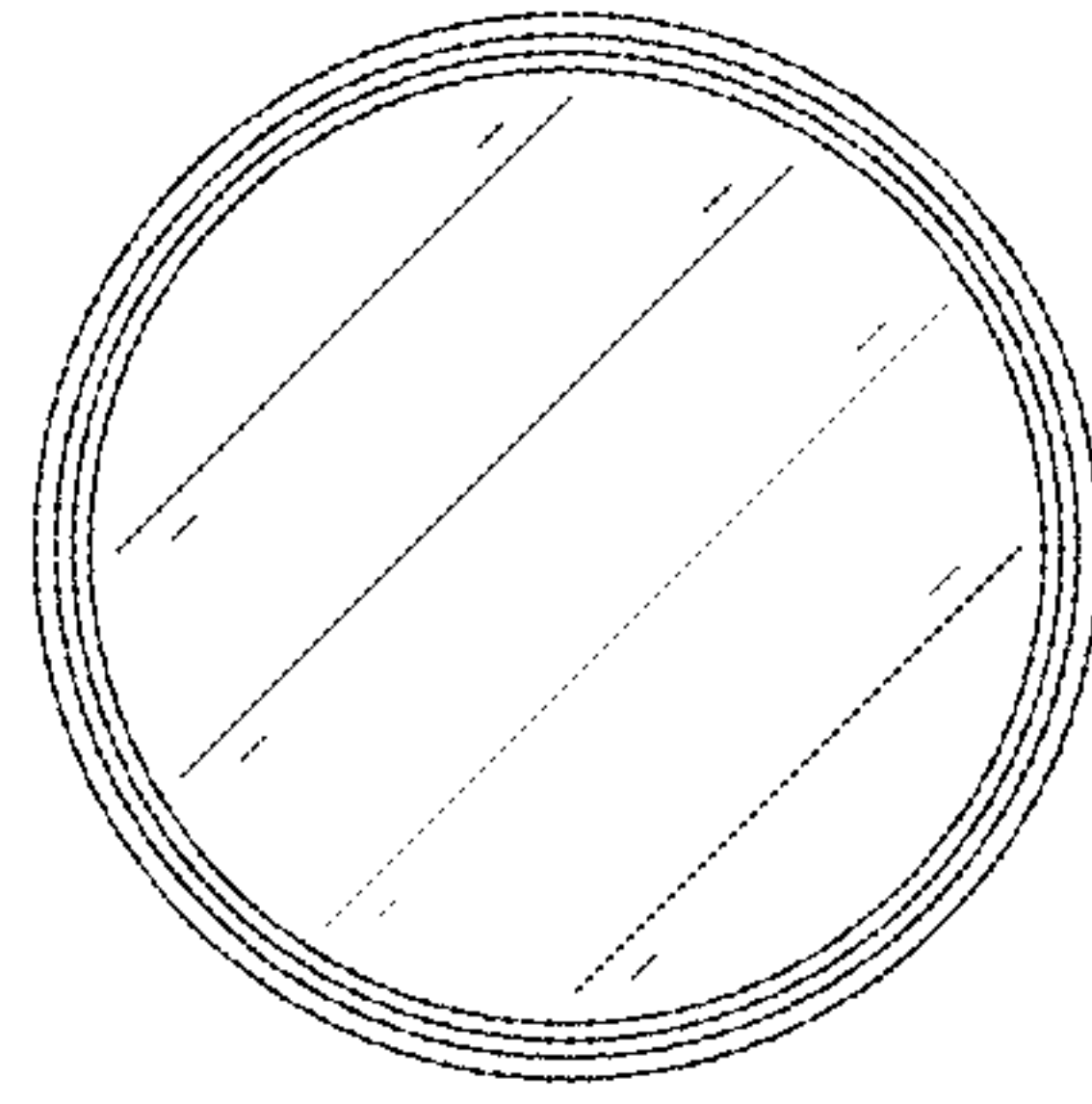


FIG. 7



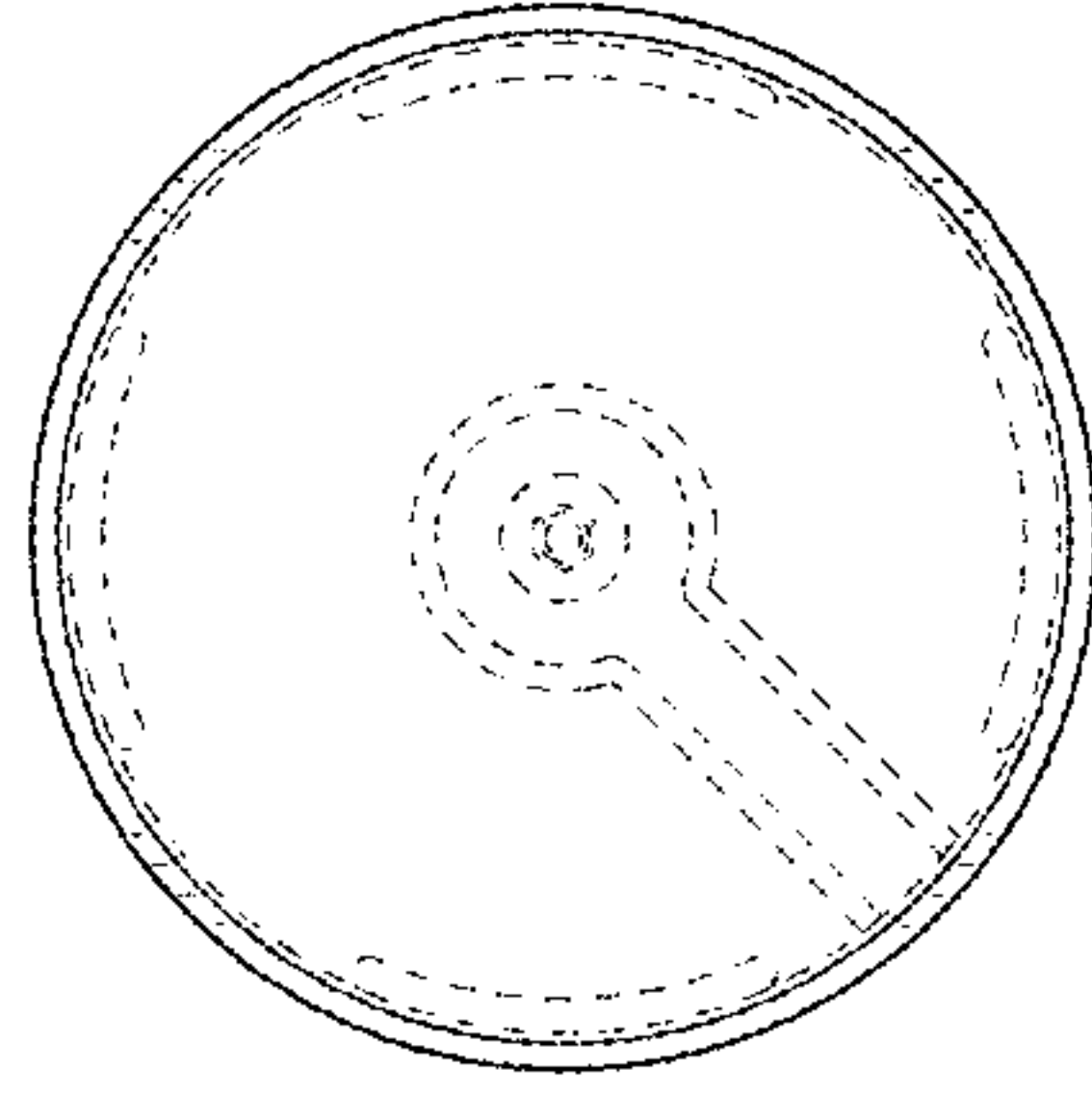


FIG. 8