



US00D959043S

(12) **United States Design Patent**
Cornelissen

(10) **Patent No.:** **US D959,043 S**
(45) **Date of Patent:** **** Jul. 26, 2022**

(54) **LUMINAIRE**

(71) Applicant: **Beta-Calco Inc.**, Toronto (CA)

(72) Inventor: **Serge C. R. H. Cornelissen**,
Kortrijk-Marke (BE)

(73) Assignee: **Beta-Calco Inc.**, Toronto (CA)

(**) Term: **15 Years**

(21) Appl. No.: **29/715,586**

(22) Filed: **Dec. 3, 2019**

(51) **LOC (13) Cl.** **26-05**

(52) **U.S. Cl.**
USPC **D26/90**; D26/72

(58) **Field of Classification Search**
USPC D26/24, 71, 72, 76, 78, 80-87, 90, 92,
D26/113, 118, 120, 138, 145, 155
CPC F21S 8/00; F21S 8/033; F21S 8/036; F21S
8/061; F21S 8/063; F21S 8/068; F21S
8/085; F21S 8/086; F21W 2131/103;
F21W 2131/105; F21W 2131/107; G02B
6/24; G02B 6/0001

See application file for complete search history.

(56) **References Cited**

U.S. PATENT DOCUMENTS

D232,257 S *	7/1974	Paulson	D26/80
D348,947 S *	7/1994	Holcomb	D26/76
D504,190 S *	4/2005	Keller	D26/76
D536,819 S *	2/2007	Krahe, II	D26/75
D621,989 S *	8/2010	Proner	D26/76
D624,229 S *	9/2010	Adolph	D26/76
D740,479 S *	10/2015	Beno	D26/90
D785,627 S *	5/2017	Fujiuchi	D14/420
D789,588 S *	6/2017	Lonsdale	D26/76
D830,605 S *	10/2018	Watt	D26/76
D943,798 S *	2/2022	Santos	D26/90

OTHER PUBLICATIONS

Le Louvre (available online) Retrieved from the internet May 3, 2022 from URL: <https://betacalco.com/products/lelouvre/configurator>.*

* cited by examiner

Primary Examiner — Richard Kearney

(74) *Attorney, Agent, or Firm* — Renner, Otto, Boisselle & Sklar, LLP

(57) **CLAIM**

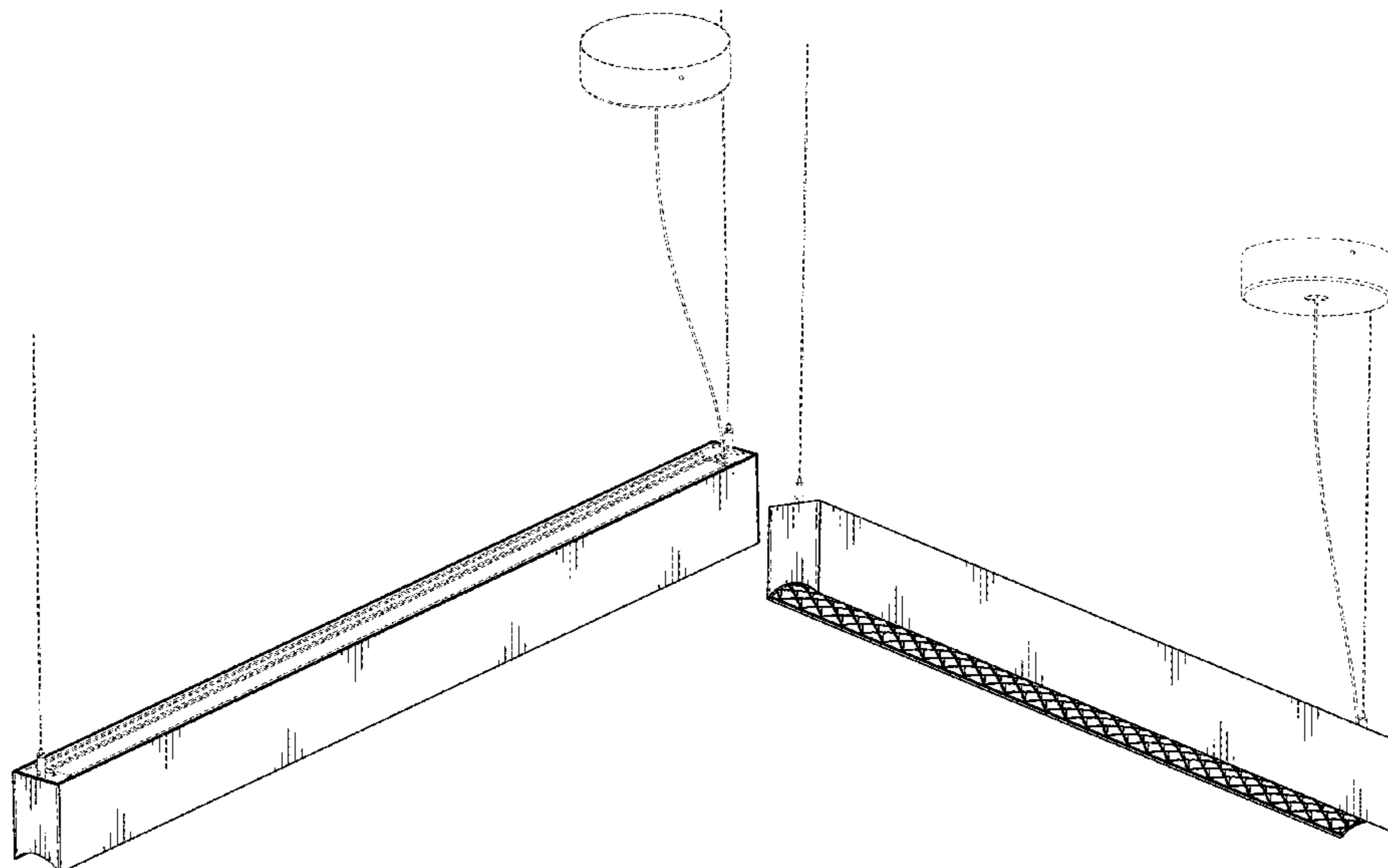
The ornamental design for a luminaire, as shown and described.

DESCRIPTION

FIG. 1 is a top perspective view of a luminaire showing the design;
FIG. 2 is a bottom perspective view thereof;
FIG. 3 is a front view thereof;
FIG. 4 is a rear view thereof;
FIG. 5 is a top view thereof;
FIG. 6 is a bottom view thereof;
FIG. 7 is a left side view thereof;
FIG. 8 is a right side view thereof;
FIG. 9 is a top perspective view of a second embodiment of the luminaire showing the design;
FIG. 10 is a bottom perspective view thereof;
FIG. 11 is a front view thereof;
FIG. 12 is a rear view thereof;
FIG. 13 is a top view thereof;
FIG. 14 is a bottom view thereof;
FIG. 15 is a left side view thereof; and,
FIG. 16 is a right side view thereof.

The broken lines shown in the drawings illustrate portions of the luminaire and form no part of the claimed design. The luminaire is shown with symbolic break lines in its length. The appearance of any portion of the article between the break lines forms no part of the claimed design.

1 Claim, 12 Drawing Sheets



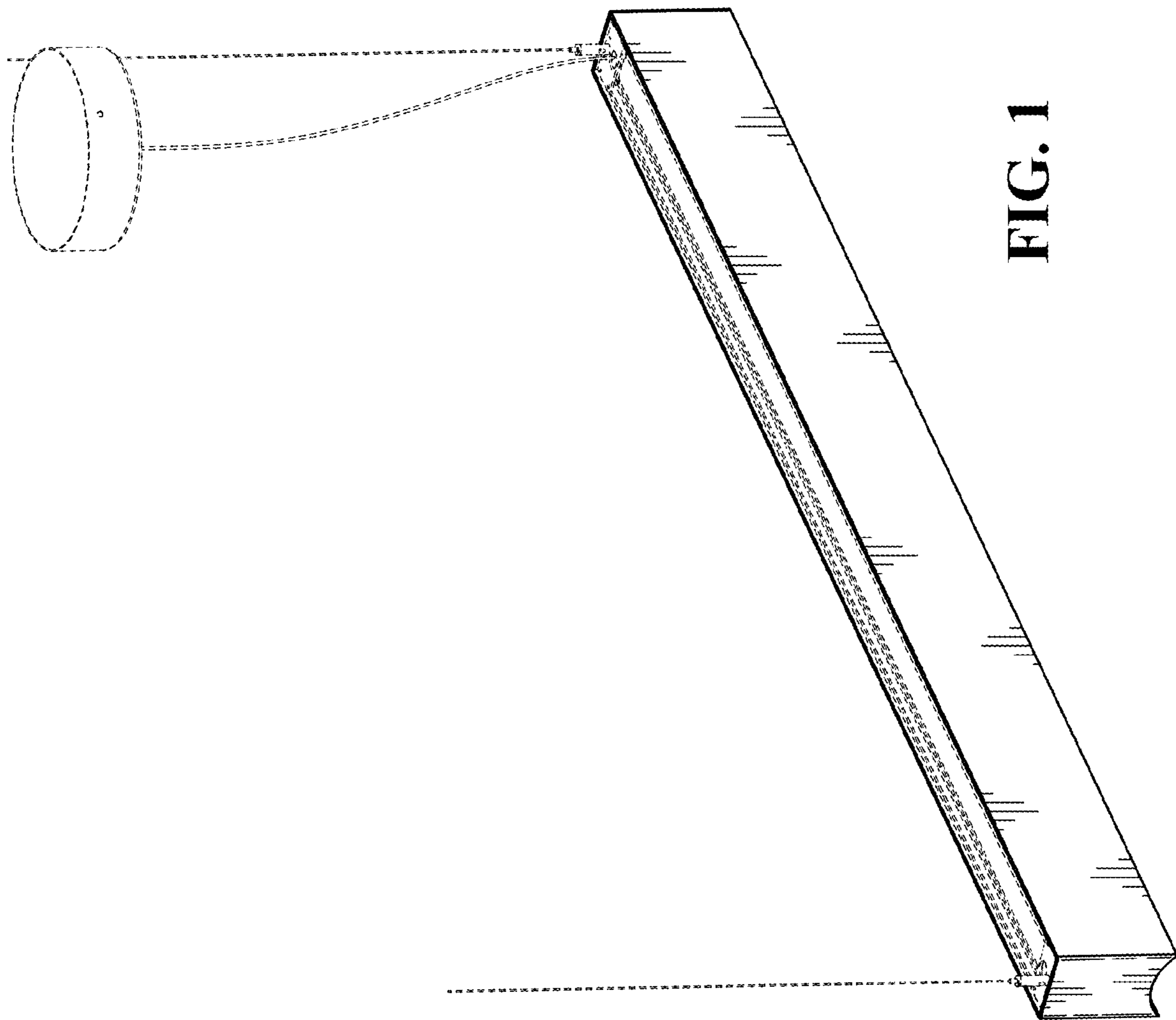


FIG. 1

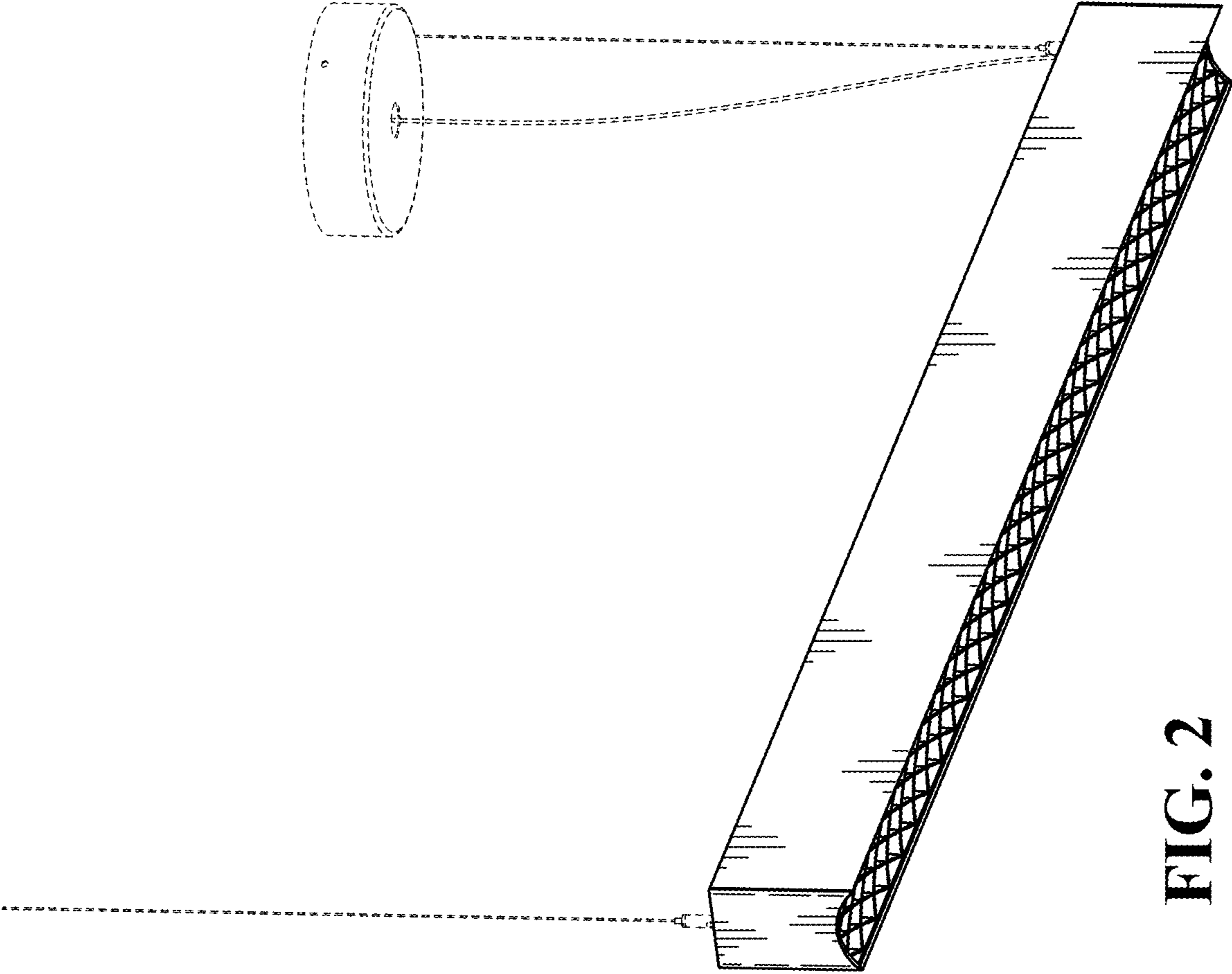


FIG. 2

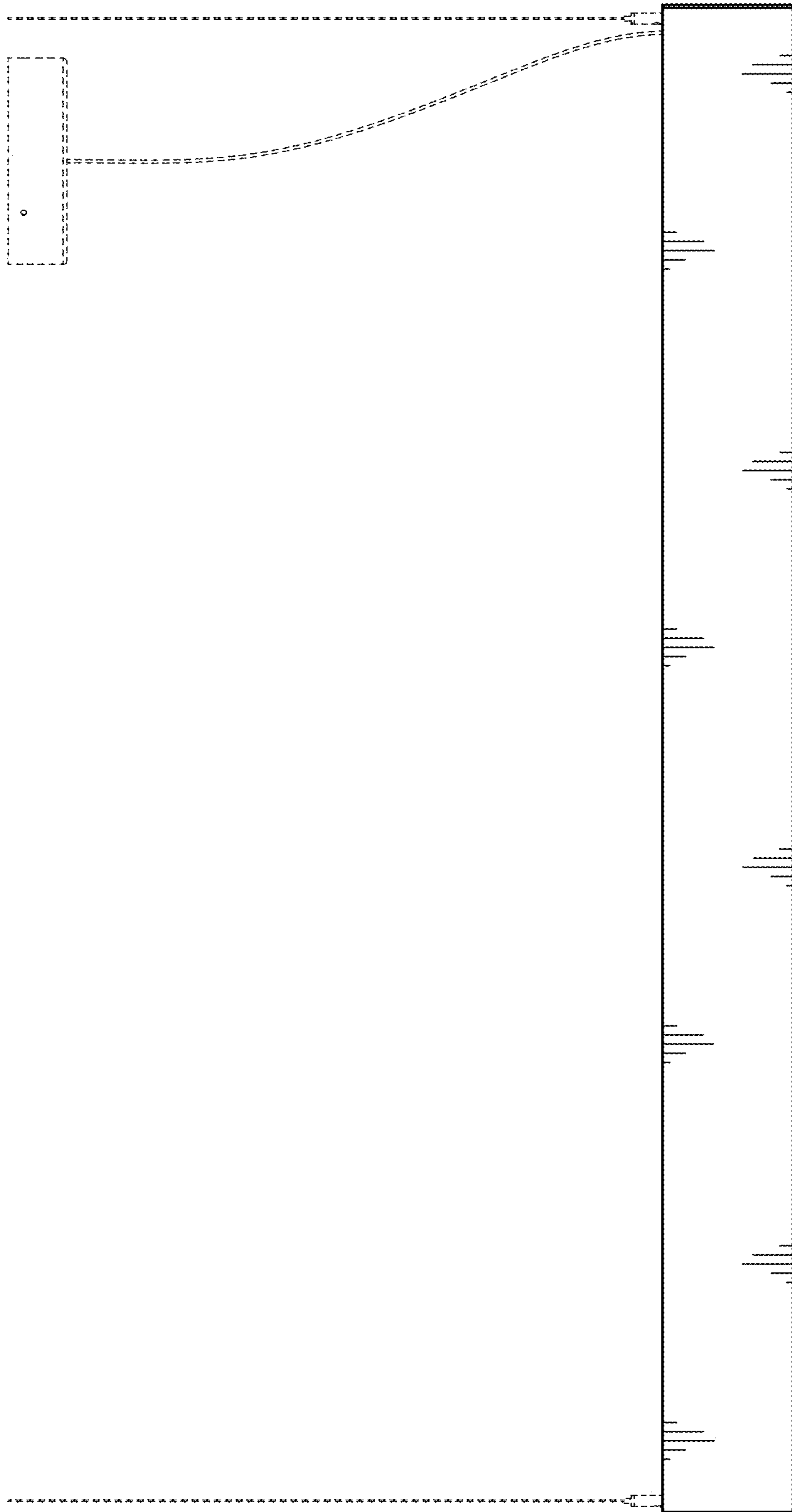


FIG. 3

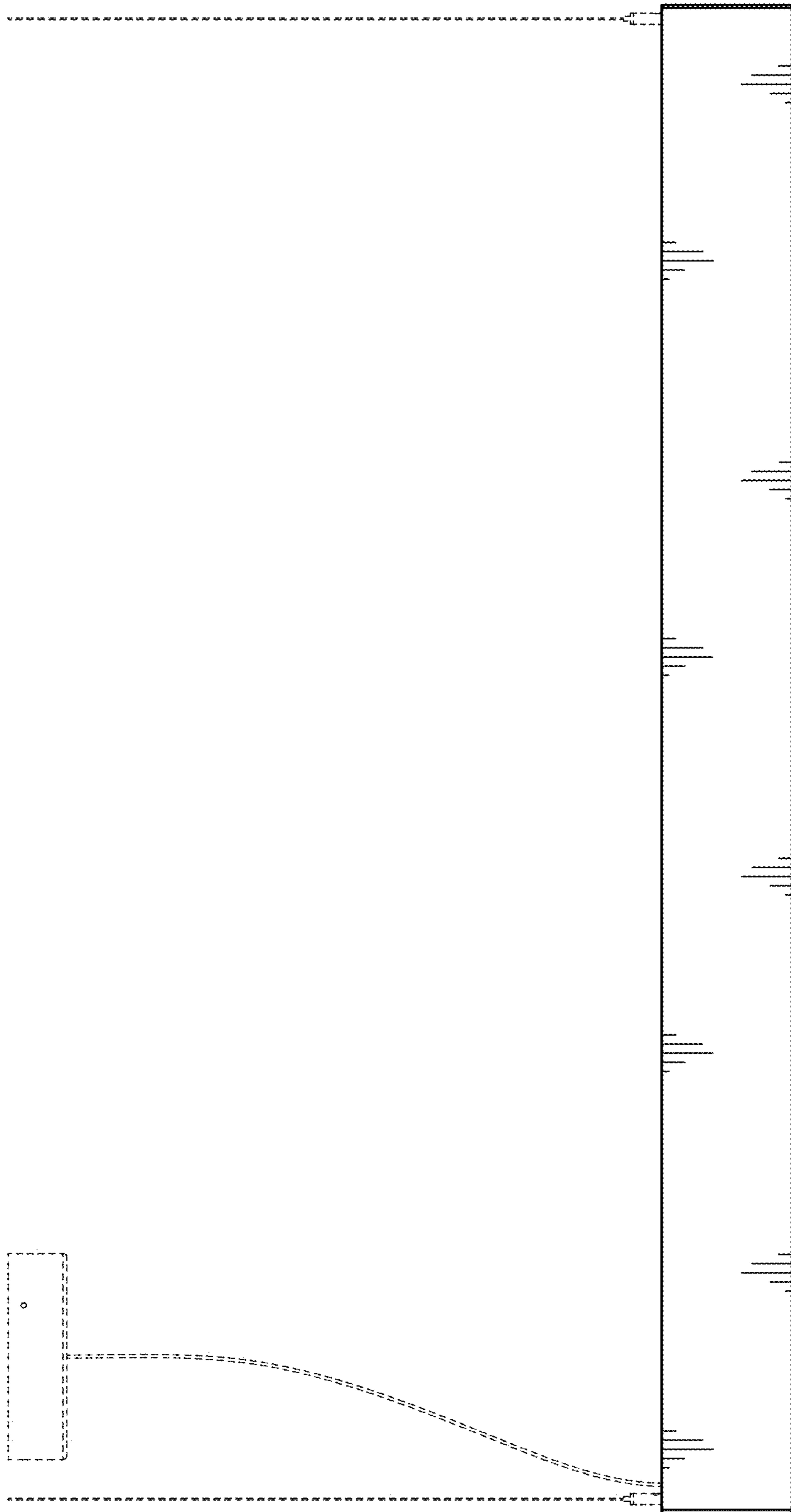


FIG. 4

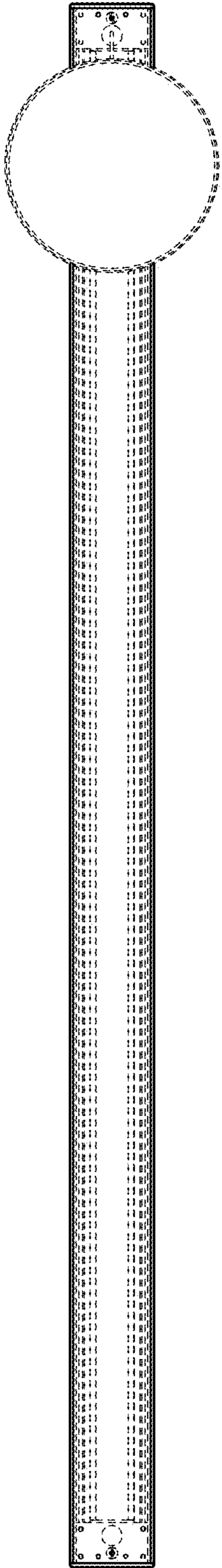


FIG. 5

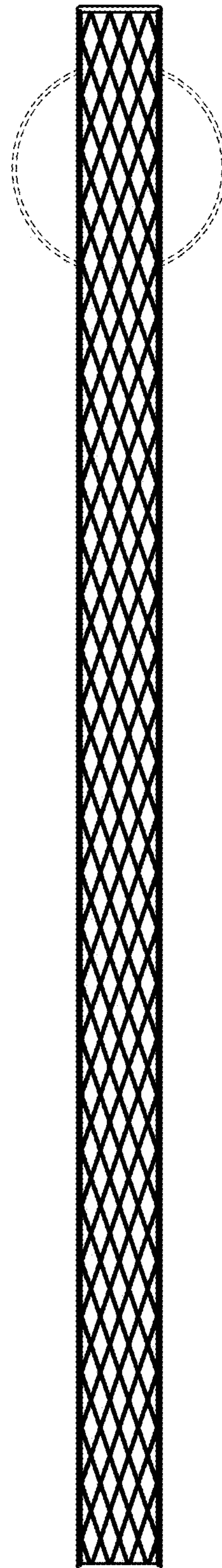


FIG. 6

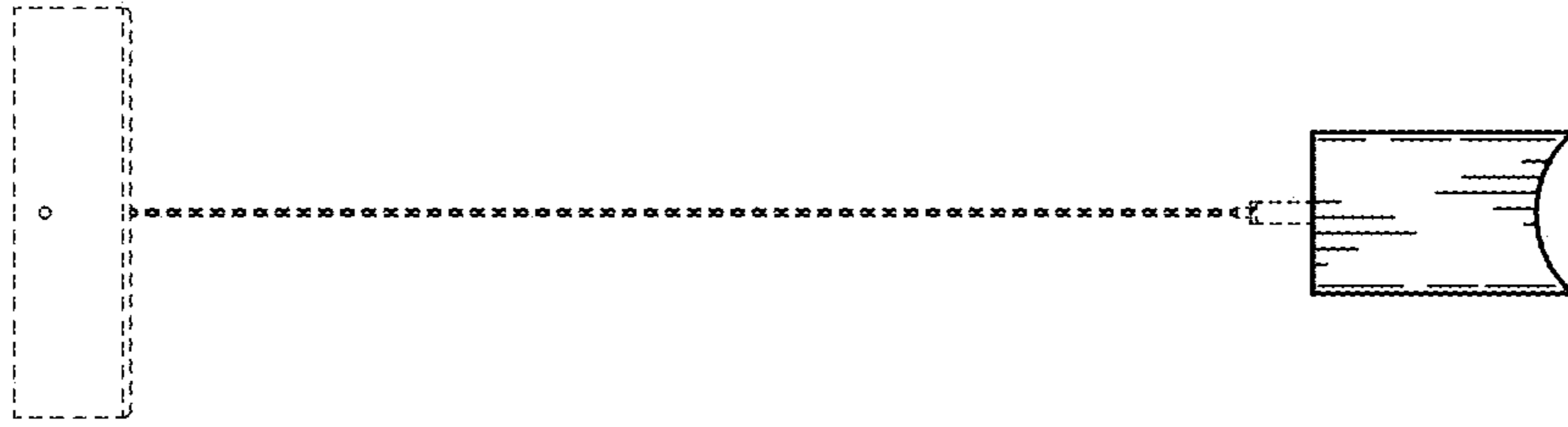


FIG. 8

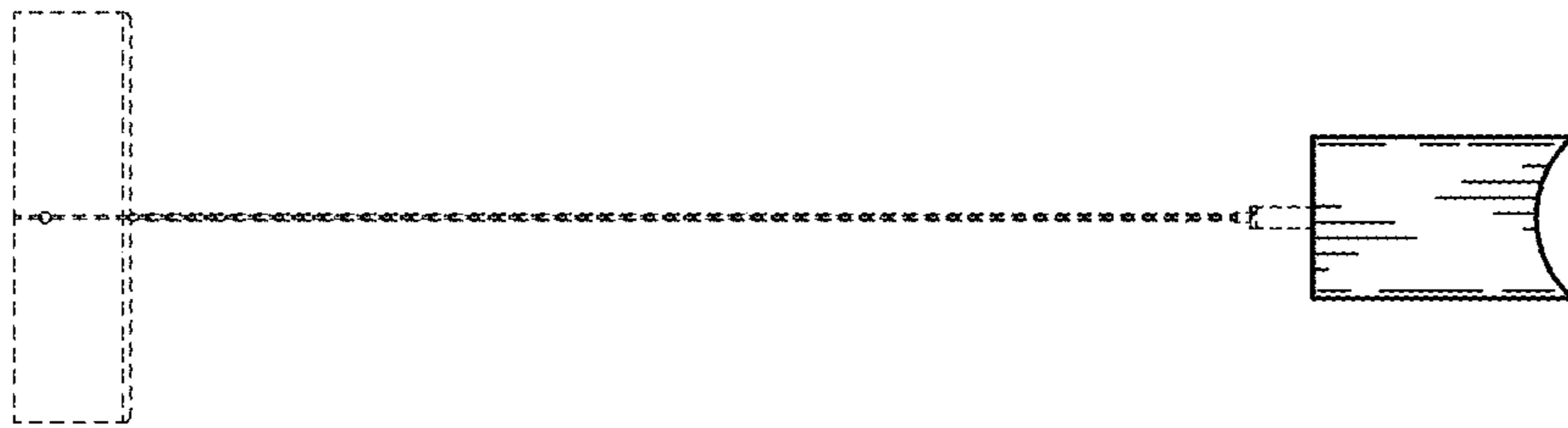


FIG. 7

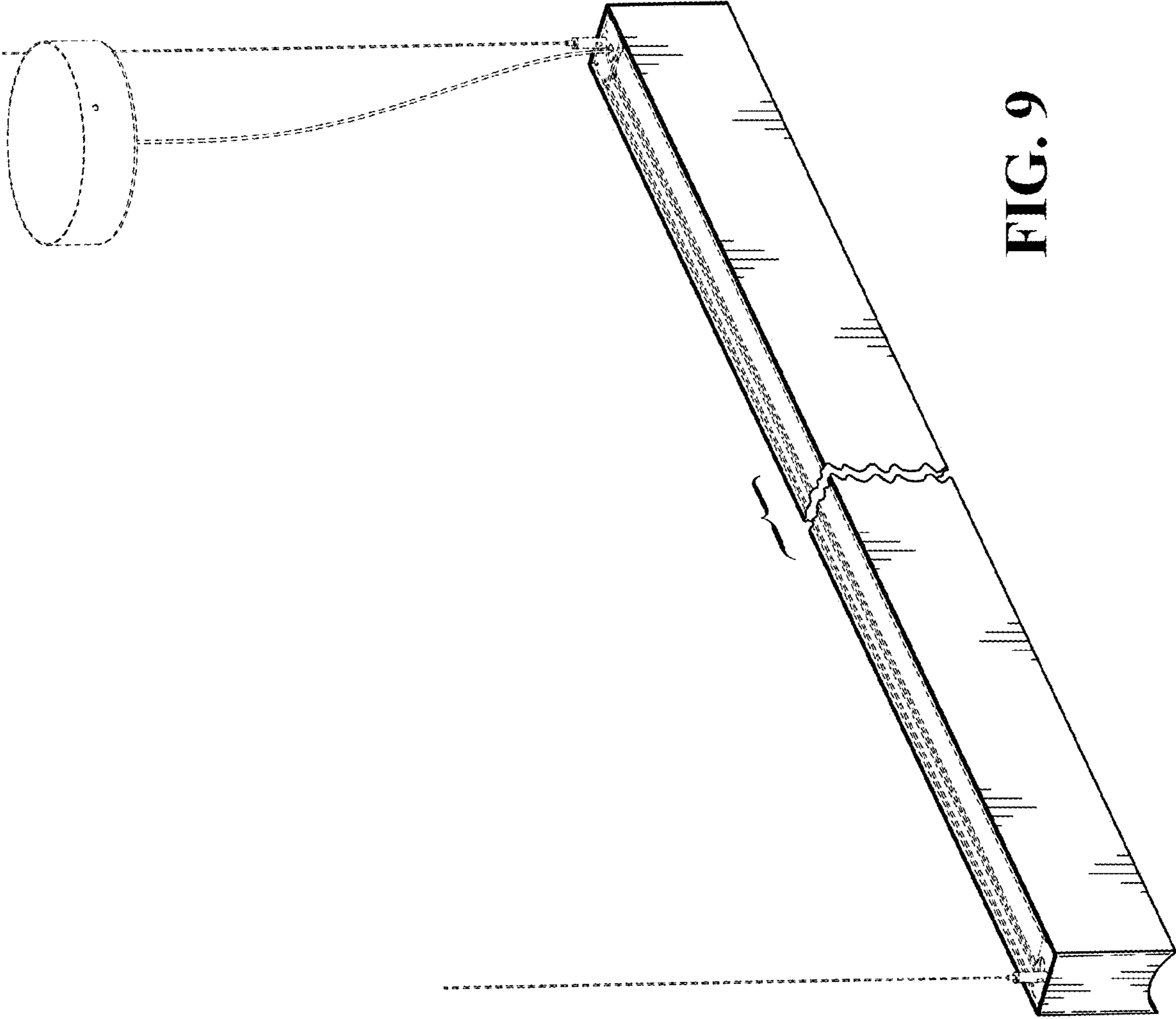


FIG. 9

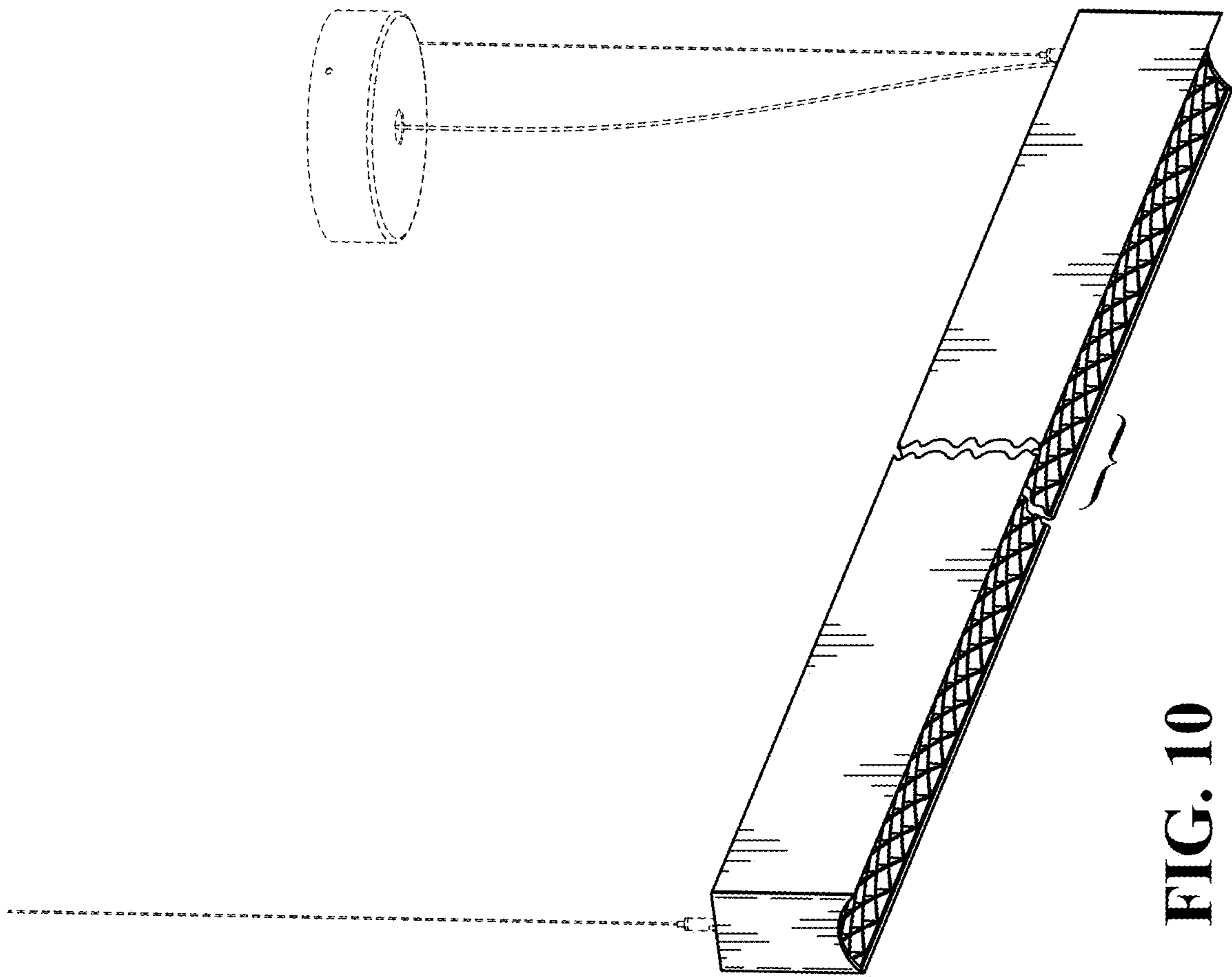


FIG. 10

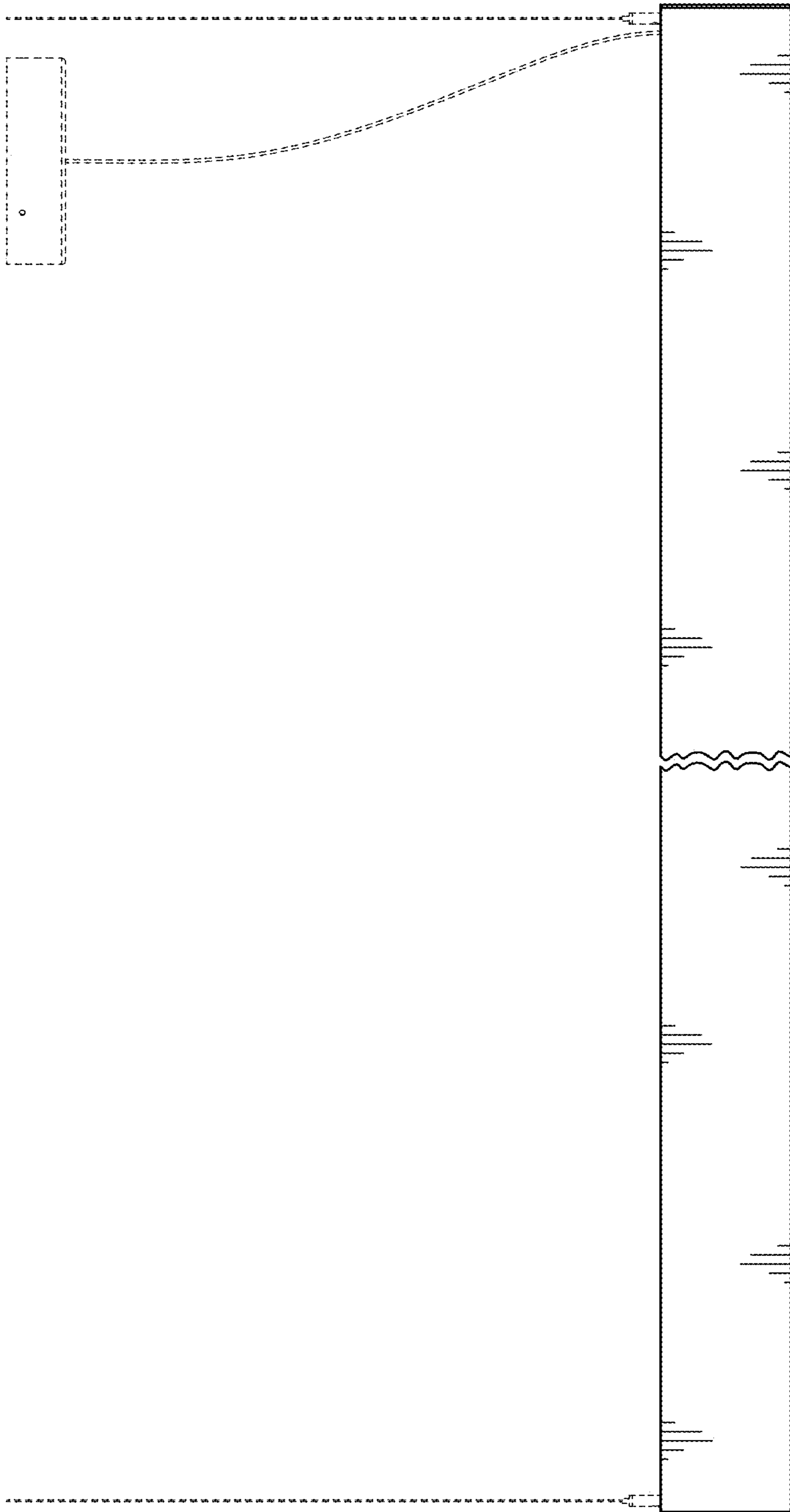


FIG. 11

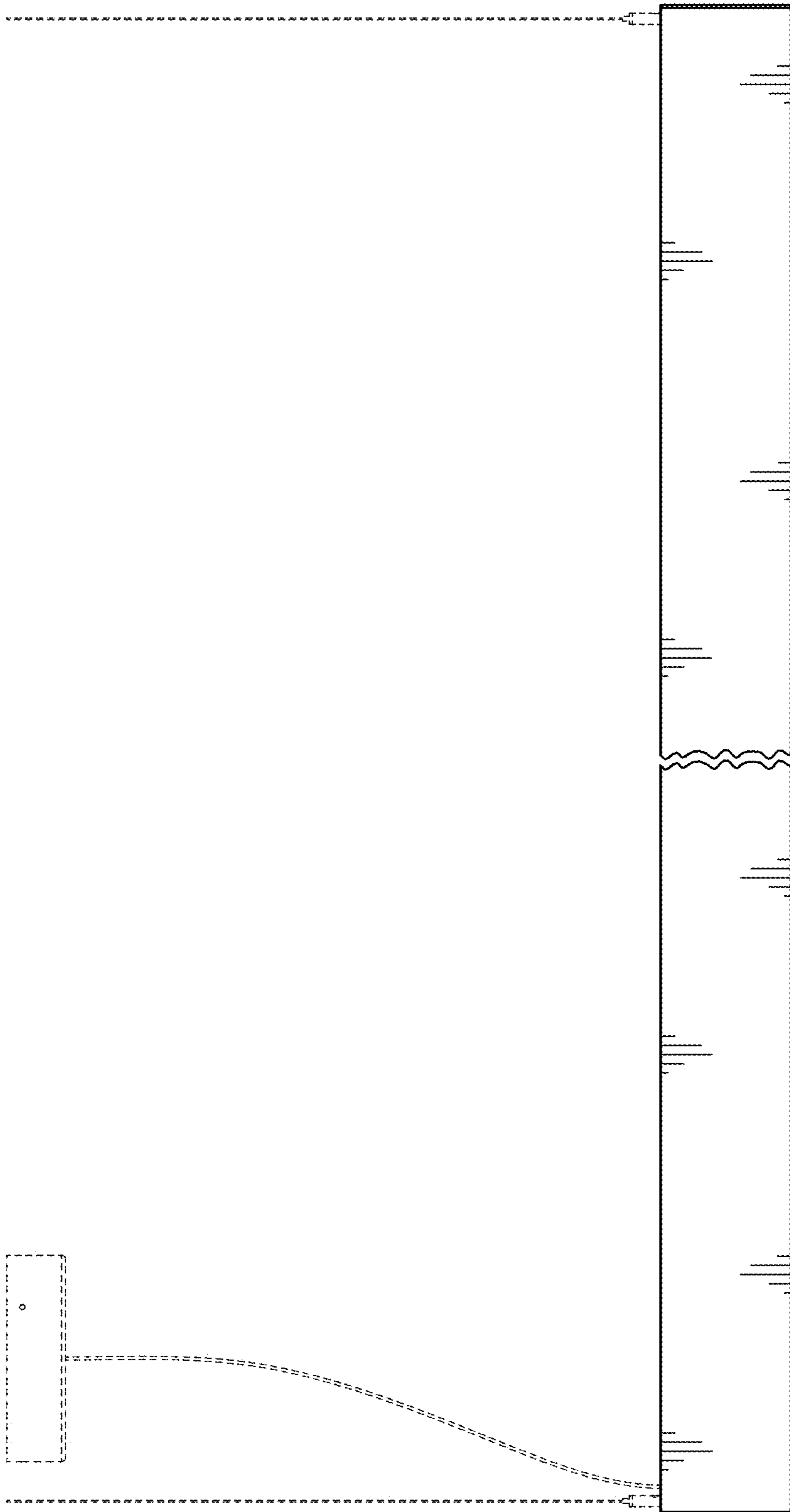


FIG. 12

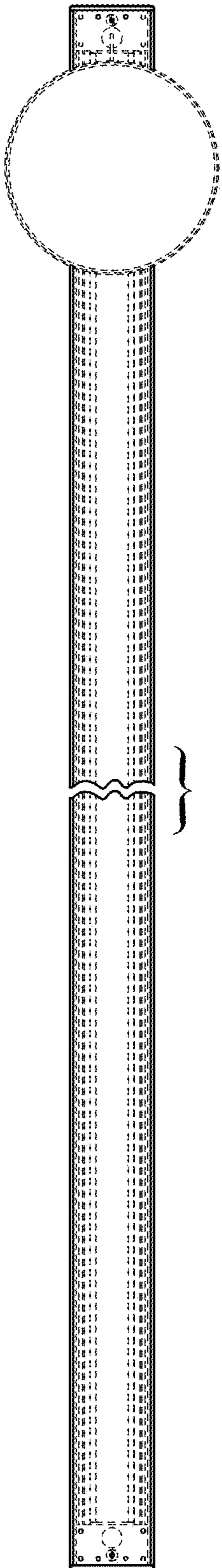


FIG. 13

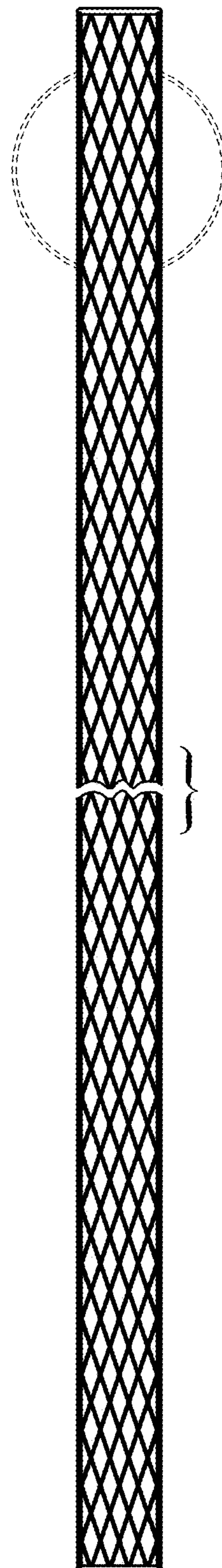


FIG. 14

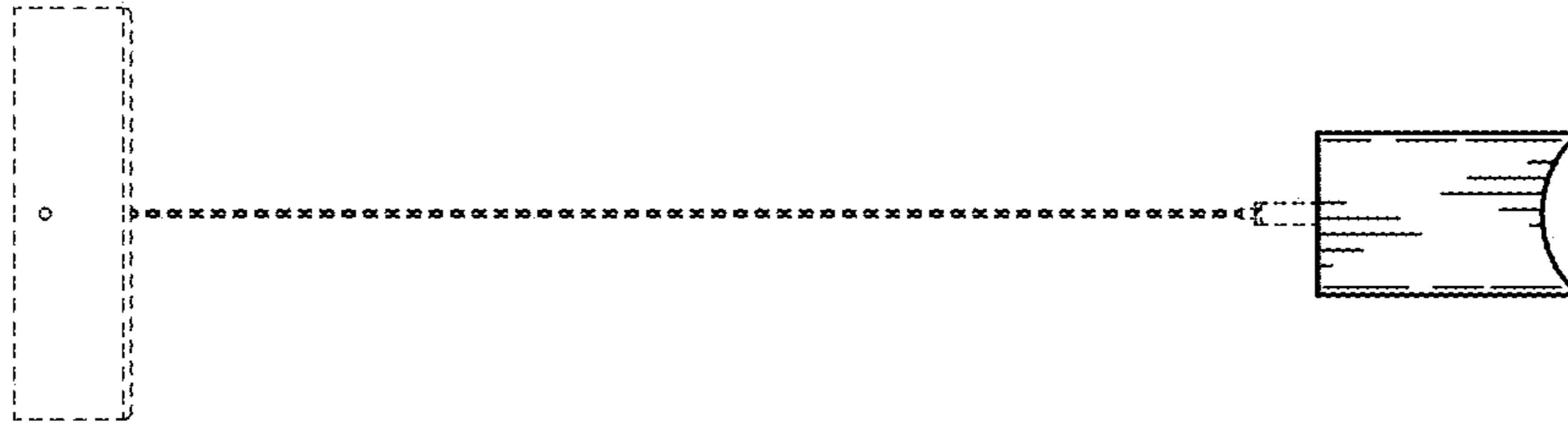


FIG. 15

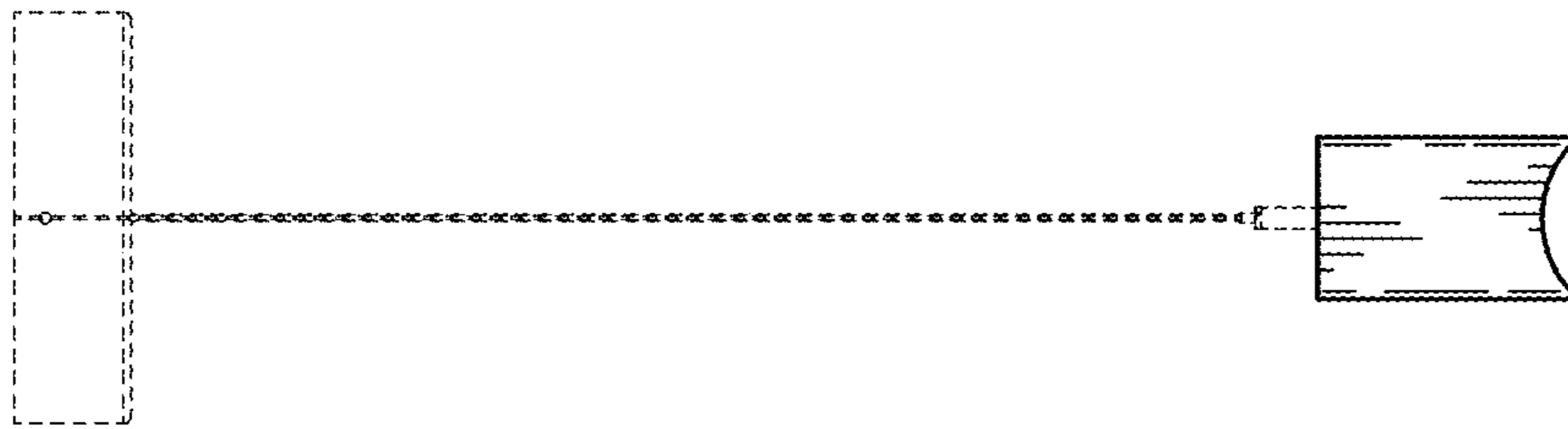


FIG. 16