



US00D959042S

(12) **United States Design Patent**  
**Orozco**

(10) **Patent No.:** **US D959,042 S**

(45) **Date of Patent:** **\*\* Jul. 26, 2022**

(54) **LIGHTING FIXTURE**

(71) Applicant: **Hinkley Lighting, Inc.**, Avon Lake, OH (US)

(72) Inventor: **Sergio Orozco**, New York, NY (US)

(73) Assignee: **HINKLEY LIGHTING, INC.**, Avon Lake, OH (US)

(\*\*) Term: **15 Years**

(21) Appl. No.: **29/819,465**

(22) Filed: **Dec. 15, 2021**

**Related U.S. Application Data**

(62) Division of application No. 29/678,629, filed on Jan. 30, 2019, now Pat. No. Des. 942,065, which is a division of application No. 29/606,526, filed on Jun. 5, 2017, now abandoned.

(51) **LOC (13) Cl.** ..... **26-03**

(52) **U.S. Cl.**  
USPC ..... **D26/88**

(58) **Field of Classification Search**  
USPC ..... D26/72, 73, 80-86, 88, 90, 91, 118  
CPC .... F21S 8/04; F21S 8/043; F21S 8/046; F21S 8/06; F21S 8/061; F21S 8/063; F21S 8/065

See application file for complete search history.

(56) **References Cited**

**U.S. PATENT DOCUMENTS**

1,686,571 A \* 10/1928 Plaut ..... F21V 3/04  
D26/88  
D77,096 S \* 12/1928 Jaffe et al. .... D26/88  
D125,312 S \* 2/1941 Logan ..... D26/88

5,251,118 A \* 10/1993 Budnovitch ..... F21V 21/116  
362/453  
D467,677 S \* 12/2002 Ries ..... D26/88  
D731,695 S \* 6/2015 Pyle ..... D26/88  
D805,237 S \* 12/2017 Amato ..... D26/88  
D820,501 S \* 6/2018 Amato ..... D26/88  
D870,352 S \* 12/2019 Arola ..... D26/88

**OTHER PUBLICATIONS**

ELK Harmelin 1 Light 7 inch Matte Black with Satin Brass Mini Pendant Ceiling Light, Model No. 14474/1 . Available from elklightinglights.com as early as Apr. 3, 2019. (Year: 2019).\*  
Savoy House Lilly 2-Light Black Pendant, Model No. 7-203-2-89 . ASIN: B07N31GZ94 available from amazon.com Jan. 24, 2019. (Year: 2019).\*  
Z-Lite Pendant Light Model No. 619P14-MB-FB. ASIN: B07N33V9KR available from amazon.com Jan. 24, 2019. (Year: 2019).\*

\* cited by examiner

*Primary Examiner* — Clare E Heflin

(74) *Attorney, Agent, or Firm* — Pearne & Gordon LLP

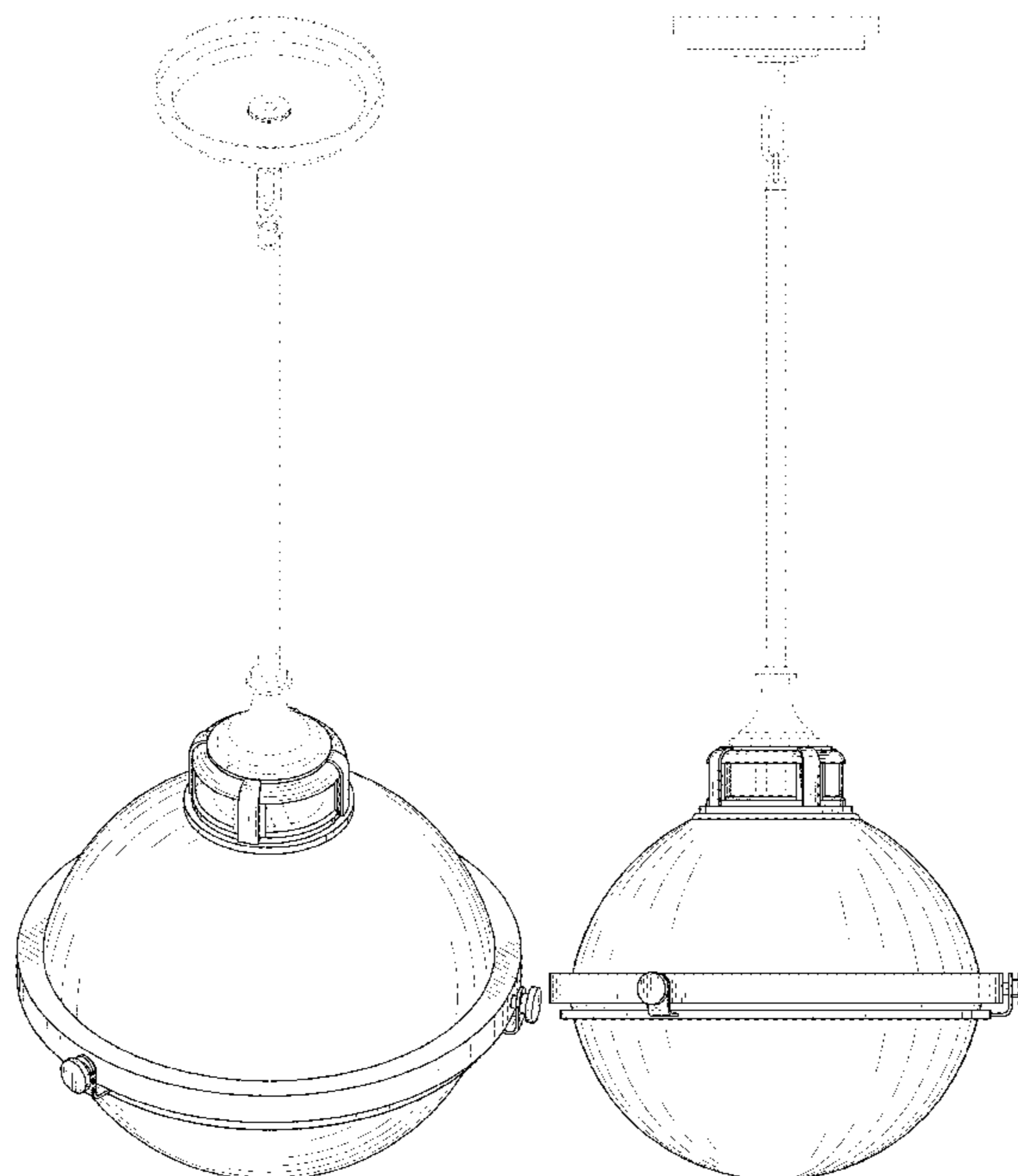
(57) **CLAIM**

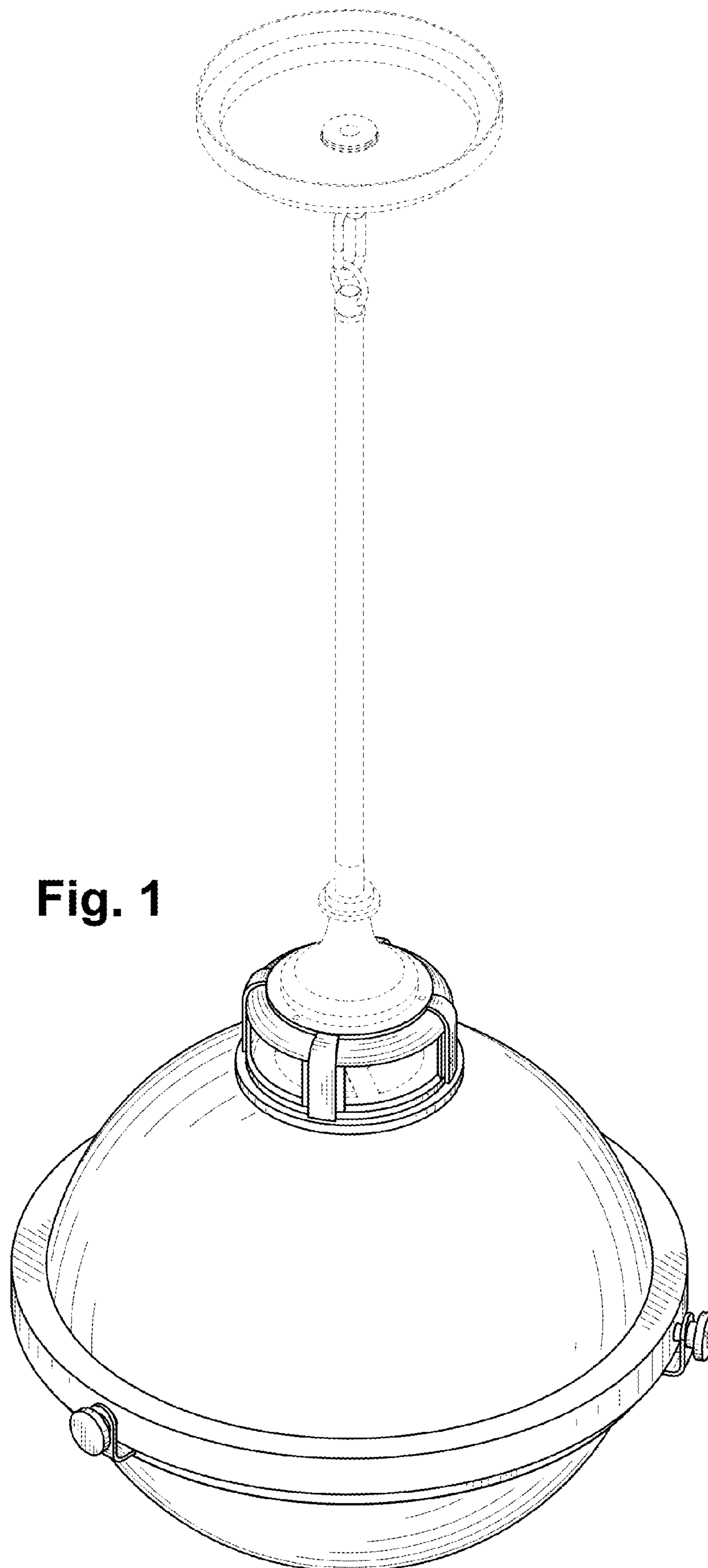
The ornamental design for a lighting fixture, as shown and described.

**DESCRIPTION**

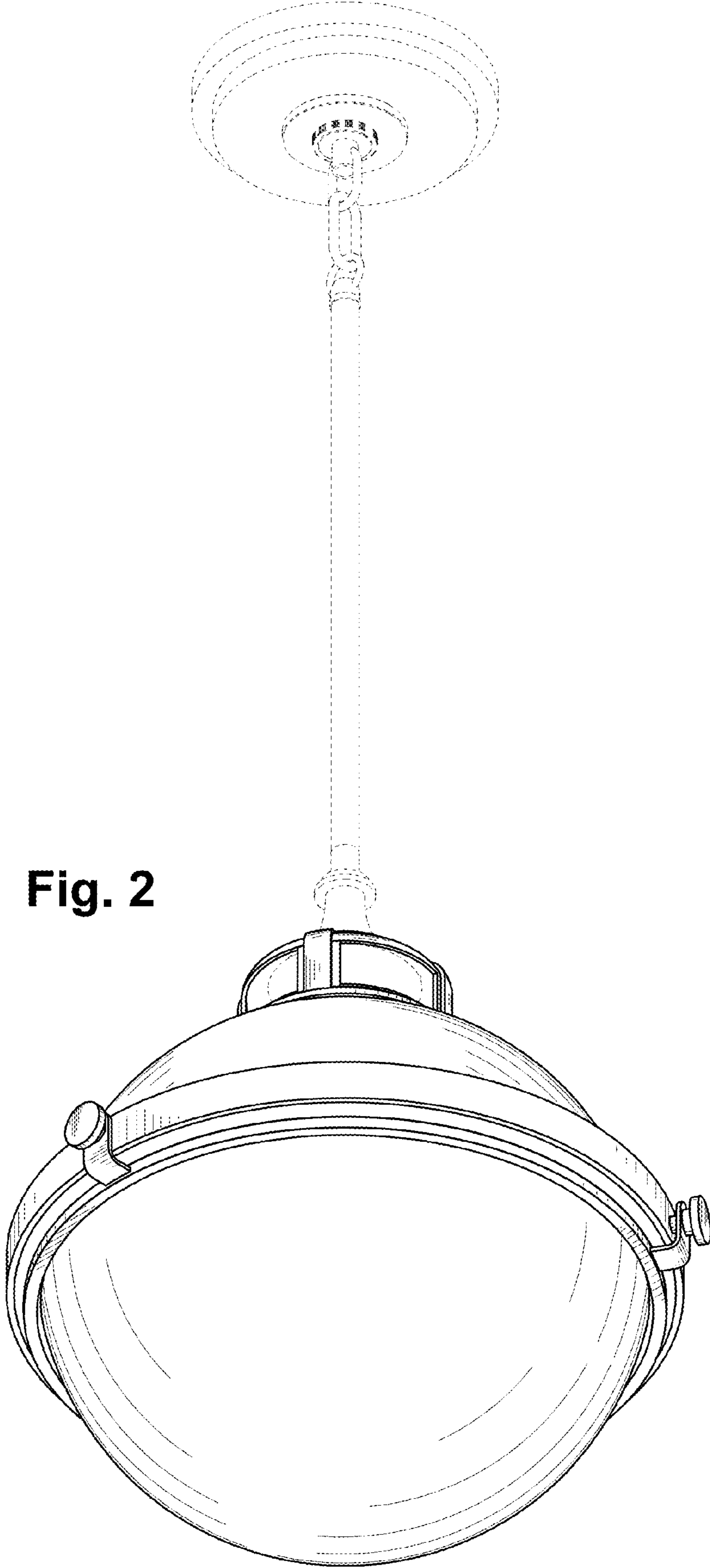
FIG. 1 is a top perspective view of the lighting fixture;  
FIG. 2 is a bottom perspective view thereof;  
FIG. 3 is a left side view thereof;  
FIG. 4 is a front view thereof;  
FIG. 5 is a right side view thereof;  
FIG. 6 is a rear view thereof;  
FIG. 7 is a top view thereof; and,  
FIG. 8 is a bottom view thereof.  
Broken lines in the drawings represent features of the lighting fixture that form no part of the claimed design.

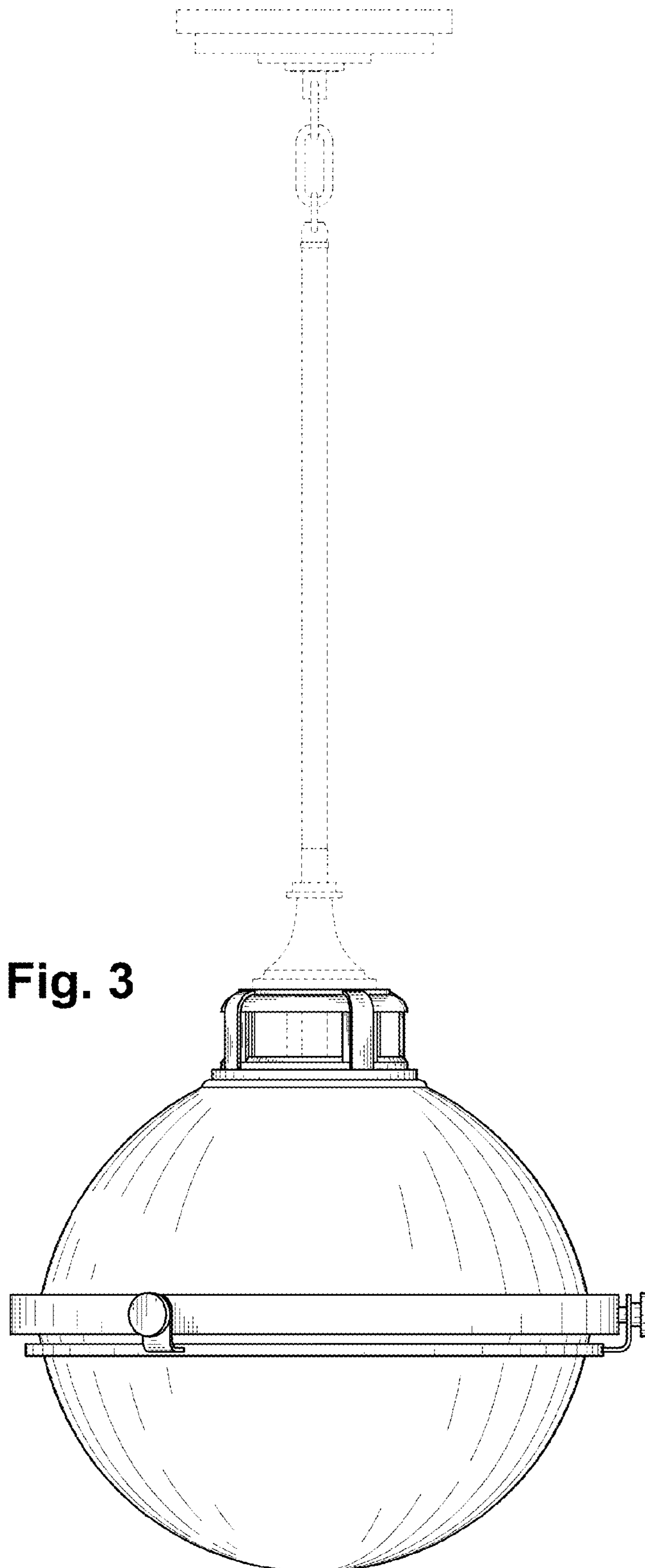
**1 Claim, 7 Drawing Sheets**



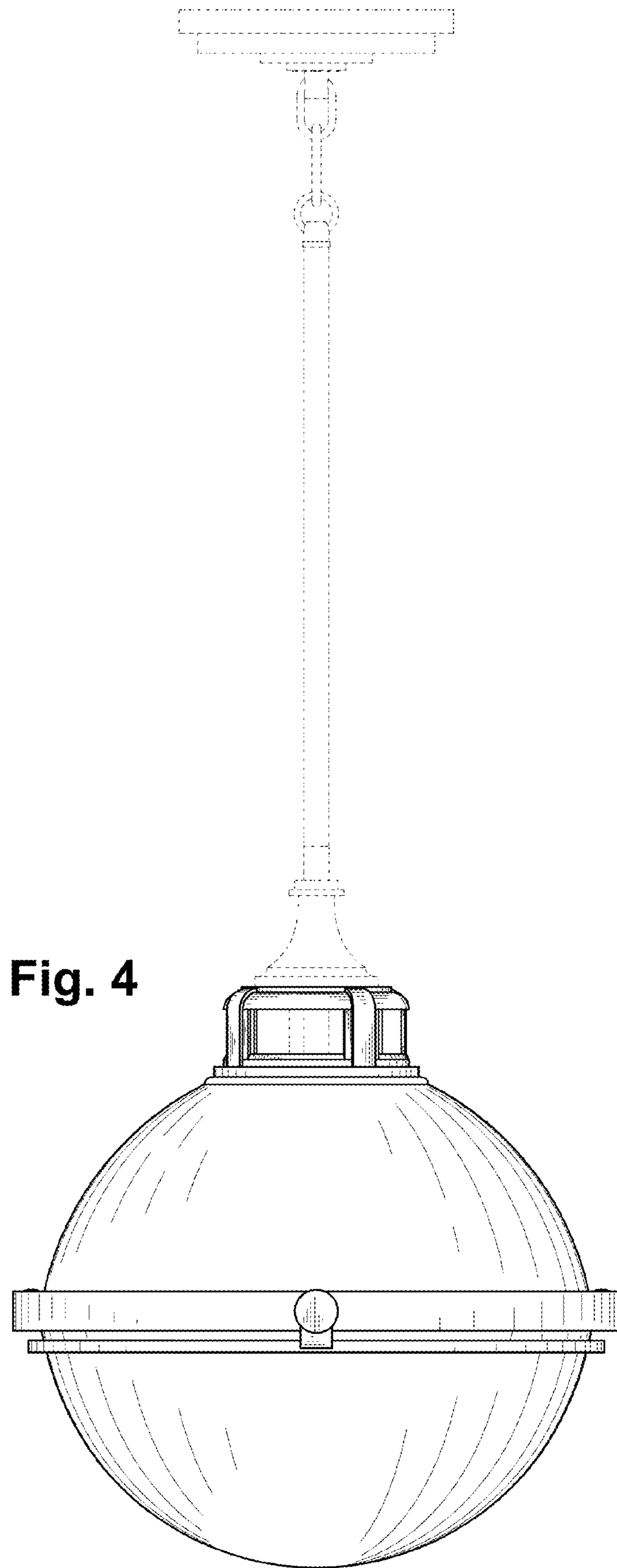


**Fig. 1**

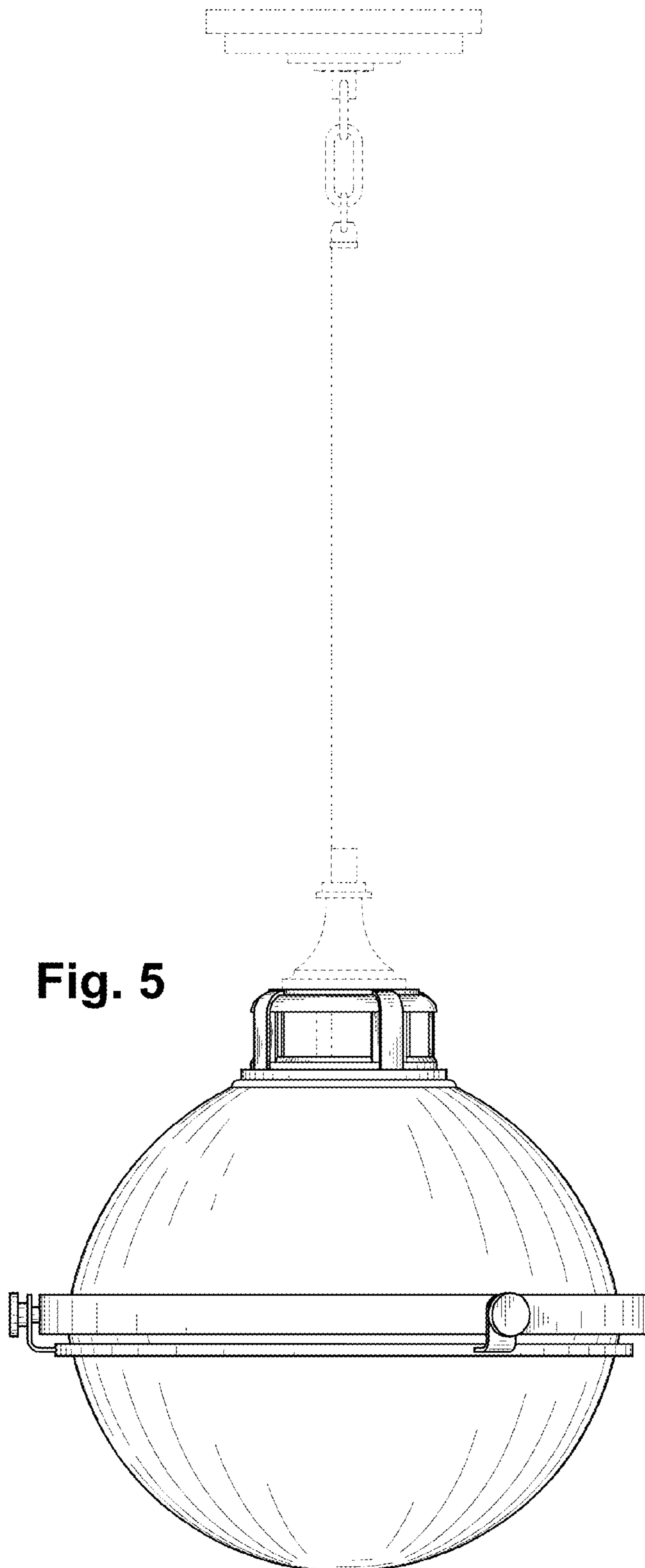




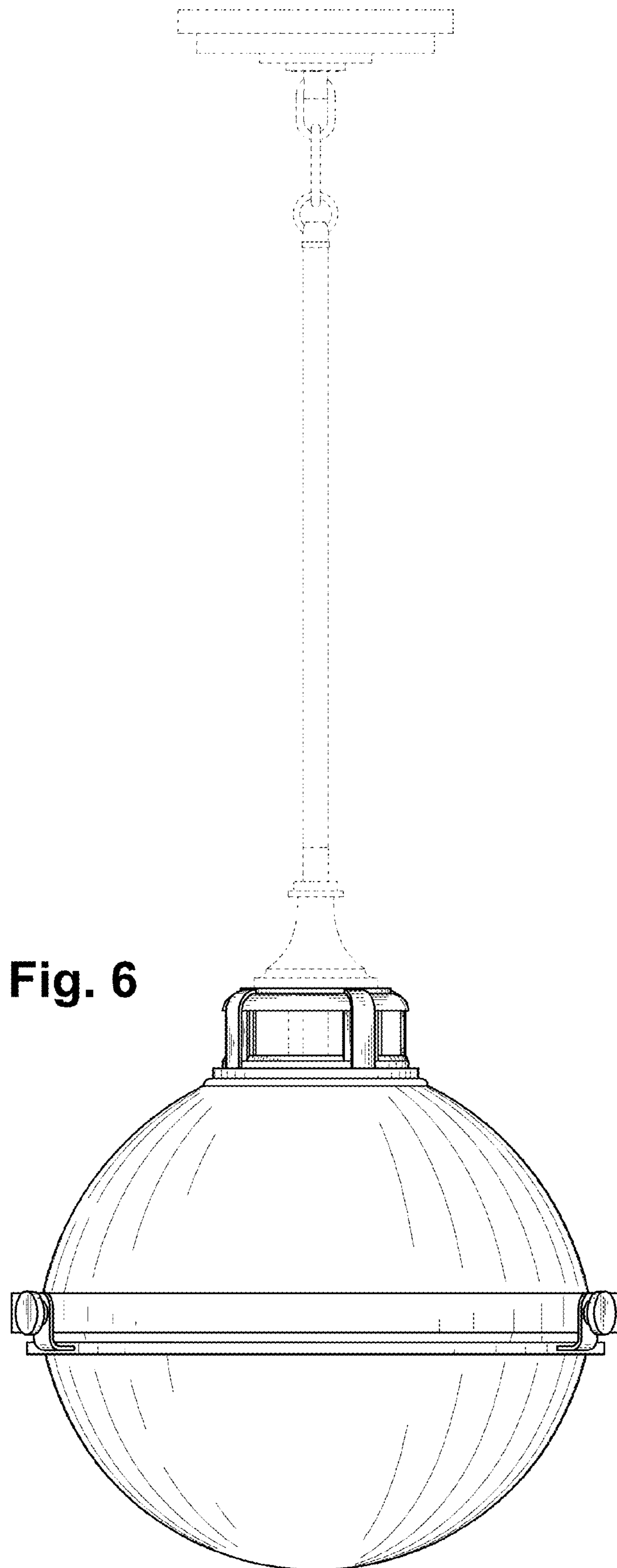
**Fig. 3**



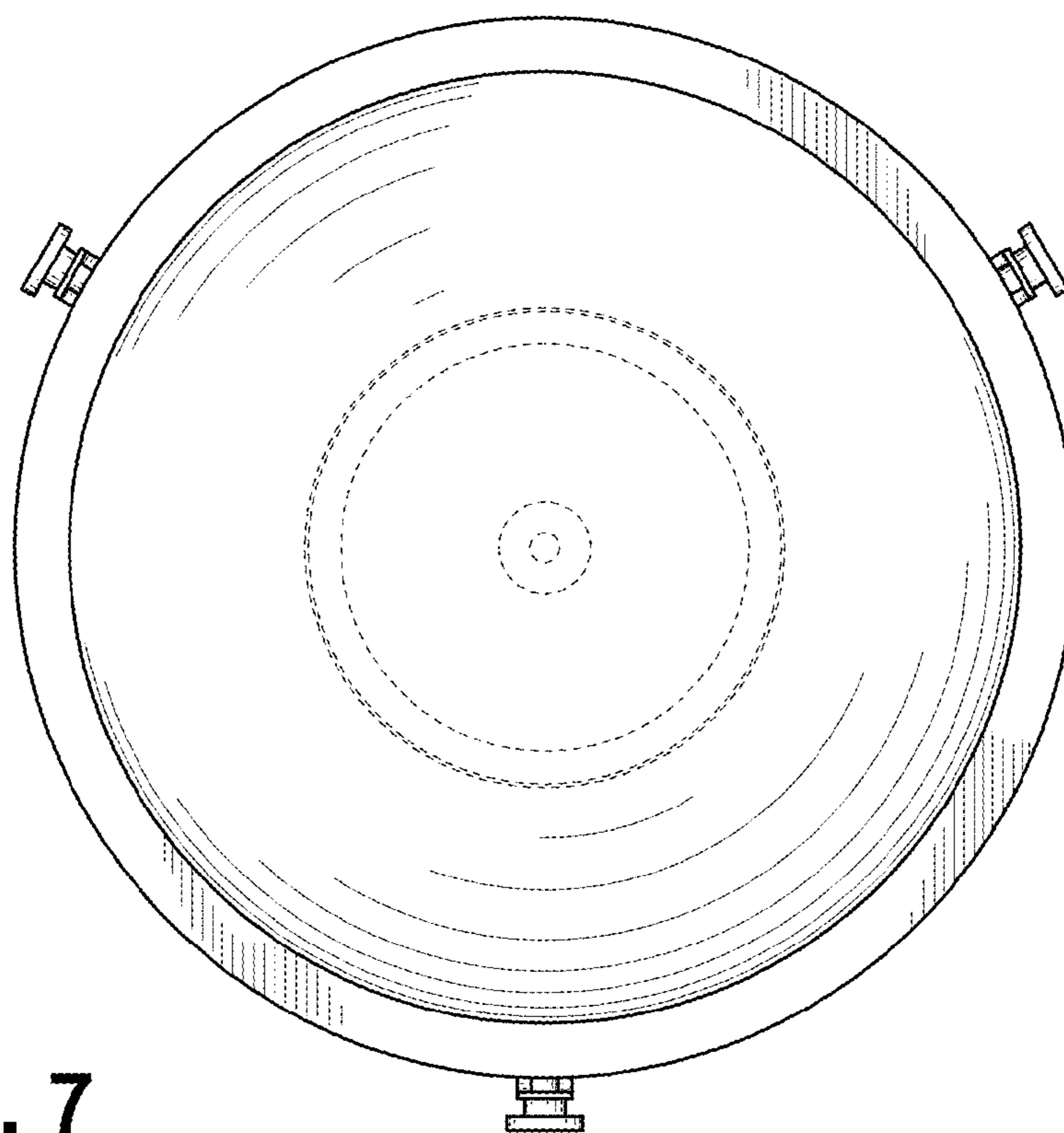
**Fig. 4**



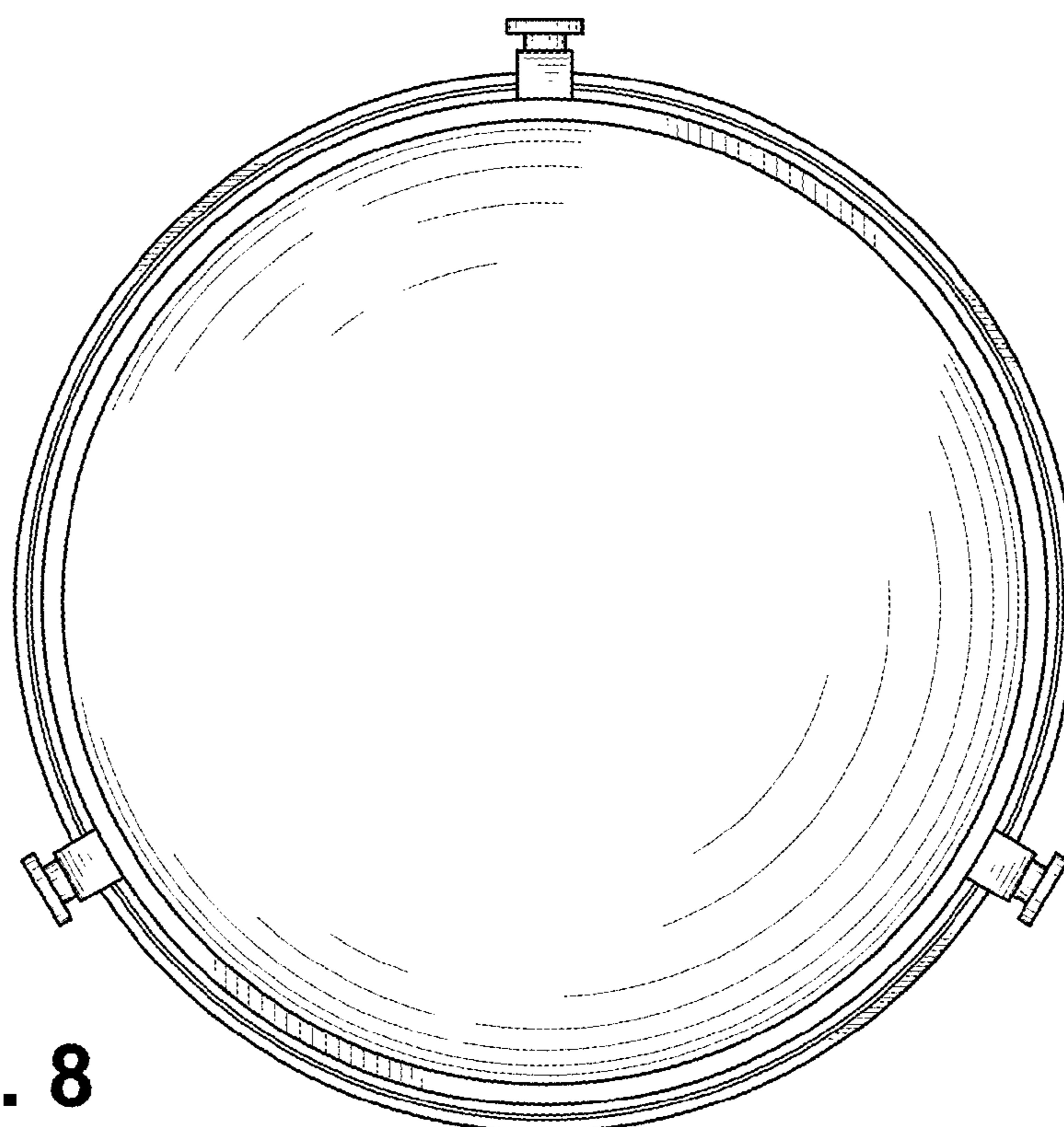
**Fig. 5**



**Fig. 6**



**Fig. 7**



**Fig. 8**