



US00D959041S

(12) **United States Design Patent** (10) **Patent No.:** **US D959,041 S**
Chen (45) **Date of Patent:** **** Jul. 26, 2022**

(54) **LAMP**

(71) Applicant: **Weida Chen**, Zhuhai (CN)

(72) Inventor: **Weida Chen**, Zhuhai (CN)

(**) Term: **15 Years**

(21) Appl. No.: **29/786,843**

(22) Filed: **Jun. 3, 2021**

(51) **LOC (13) Cl.** **26-03**

(52) **U.S. Cl.**
USPC **D26/86; D26/63**

(58) **Field of Classification Search**
USPC D26/63, 72, 80, 84-88, 92, 118, 128
CPC .. F21S 8/033; F21S 8/035; F21S 8/036; F21S
8/046
See application file for complete search history.

(56) **References Cited**

U.S. PATENT DOCUMENTS

D552,469 S	10/2007	Harmon	
D575,437 S *	8/2008	Bickler	D26/86
D654,605 S *	2/2012	Chen	D26/68
D655,844 S *	3/2012	Sabernig	D26/63
D682,460 S *	5/2013	Wanders	D26/88
D712,571 S	9/2014	Zetsche	
D788,354 S *	5/2017	Yoshioka	D26/118
D824,582 S *	7/2018	Luo	D26/118
D887,617 S *	6/2020	Wang	D26/86
D917,767 S *	4/2021	Zheng	D26/86
D921,254 S	6/2021	Preutz	
D922,657 S *	6/2021	Zheng	D26/86
D924,461 S *	7/2021	Hu	D26/86
D939,129 S *	12/2021	Mei	D26/86

OTHER PUBLICATIONS

Artika Carat LED Integrated Vanity Light Fixture, ASIN: B09FCZTZQ4. Available from amazon.com Sep. 2, 2021. (Year: 2021).*
Artika Essence 4-Light LED Vanity Light, ASIN: B07DYFXPGJ. Available from amazon.com Jun. 22, 2018. (Year: 2018).*
ALICO Verticale 4 Light Bath Vanity Light, ASIN: B002O2FGD8. Available from amazon.com Mar. 16, 2008. (Year: 2008).*
Allen + roth Dunwynn 3-Light Chrome Modern/Contemporary Vanity Light, ASIN: B081VVM833. Available from amazon.com Feb. 11, 2020. (Year: 2020).*

* cited by examiner

Primary Examiner — Clare E Heflin

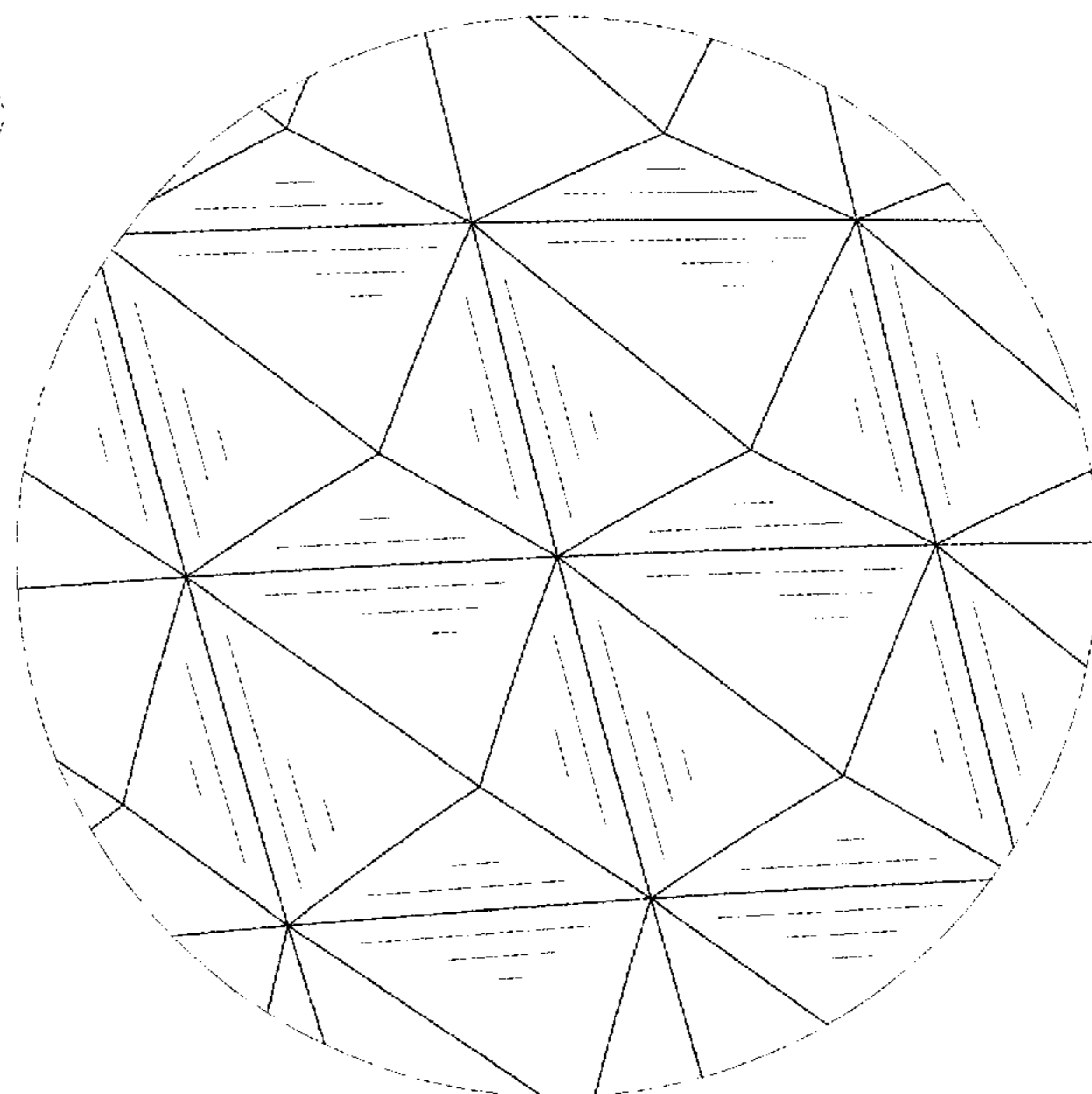
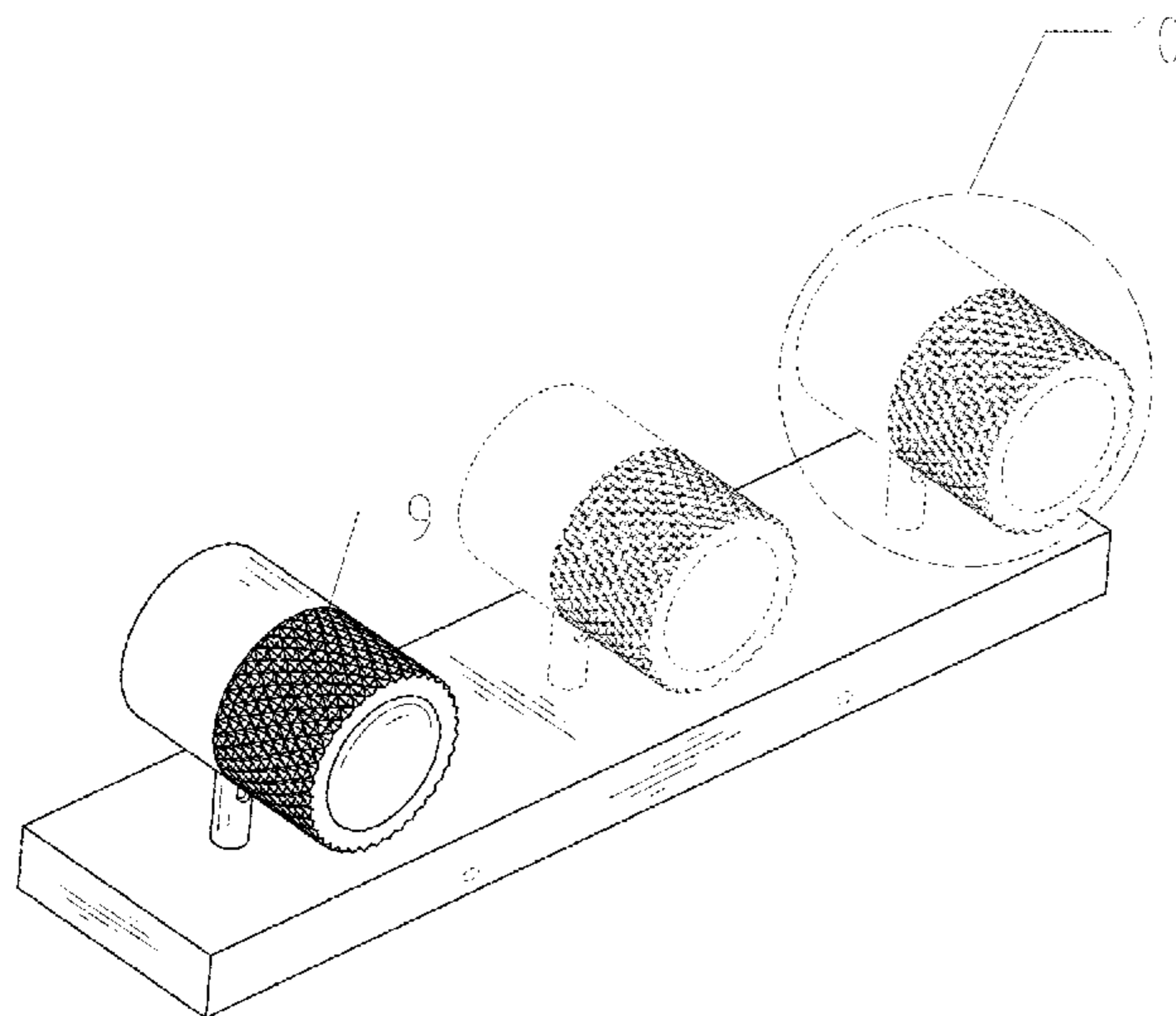
(57) **CLAIM**

The ornamental design for a lamp, as shown and described.

DESCRIPTION

FIG. 1 is a first perspective view of a lamp showing my new design;
FIG. 2 is a second perspective view thereof;
FIG. 3 is a front view thereof;
FIG. 4 is a back view thereof;
FIG. 5 is a left side view thereof;
FIG. 6 is a right side view thereof;
FIG. 7 is a top view thereof;
FIG. 8 is a bottom view thereof;
FIG. 9 is an enlarged view of the selected portion in FIG. 1; and,
FIG. 10 is an enlarged view of the selected portion in FIG. 1.
The broken lines shown in the drawings depict portions of the lamp in which the design is embodied that form no part of the claimed design.

1 Claim, 10 Drawing Sheets



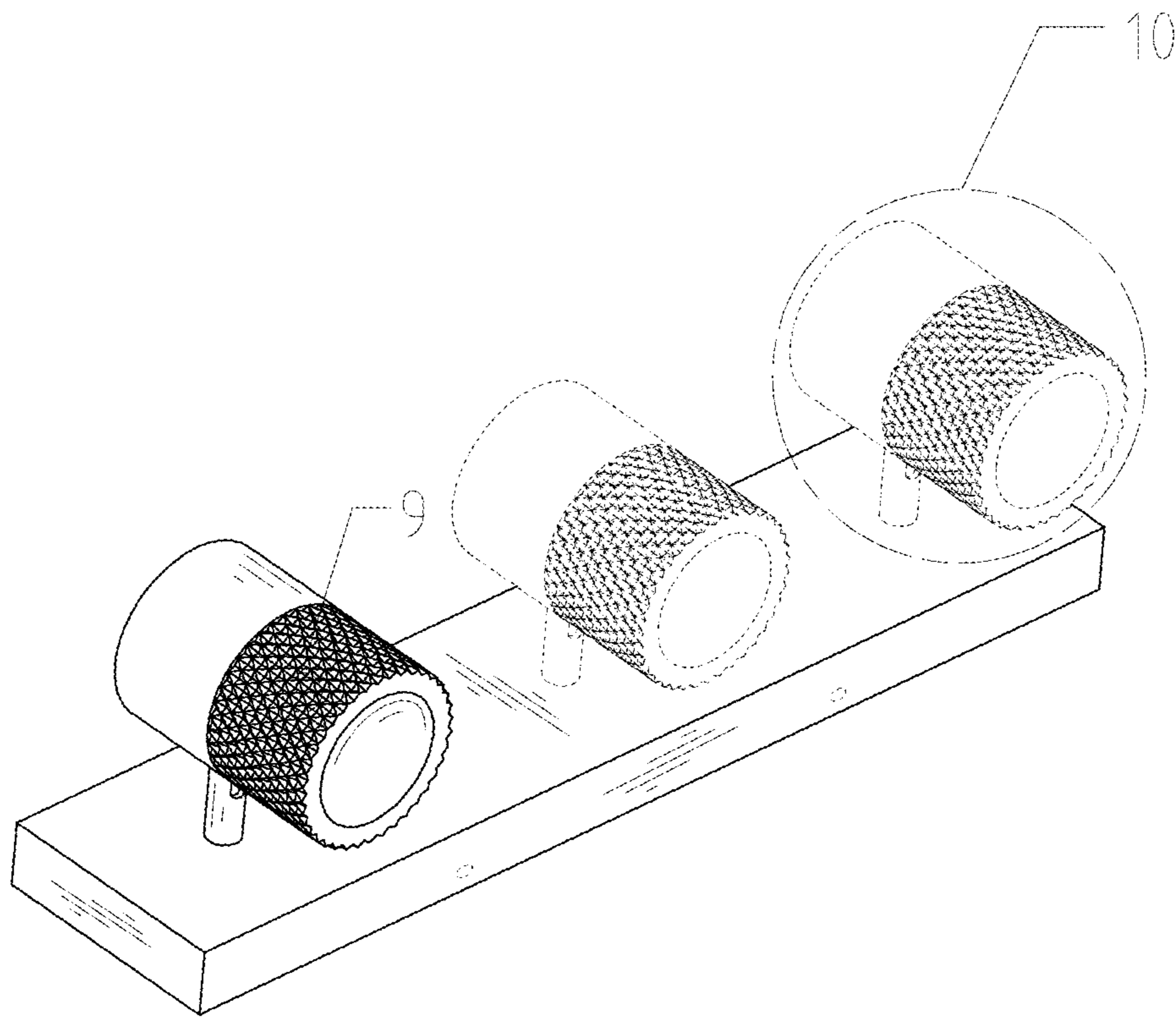


FIG. 1

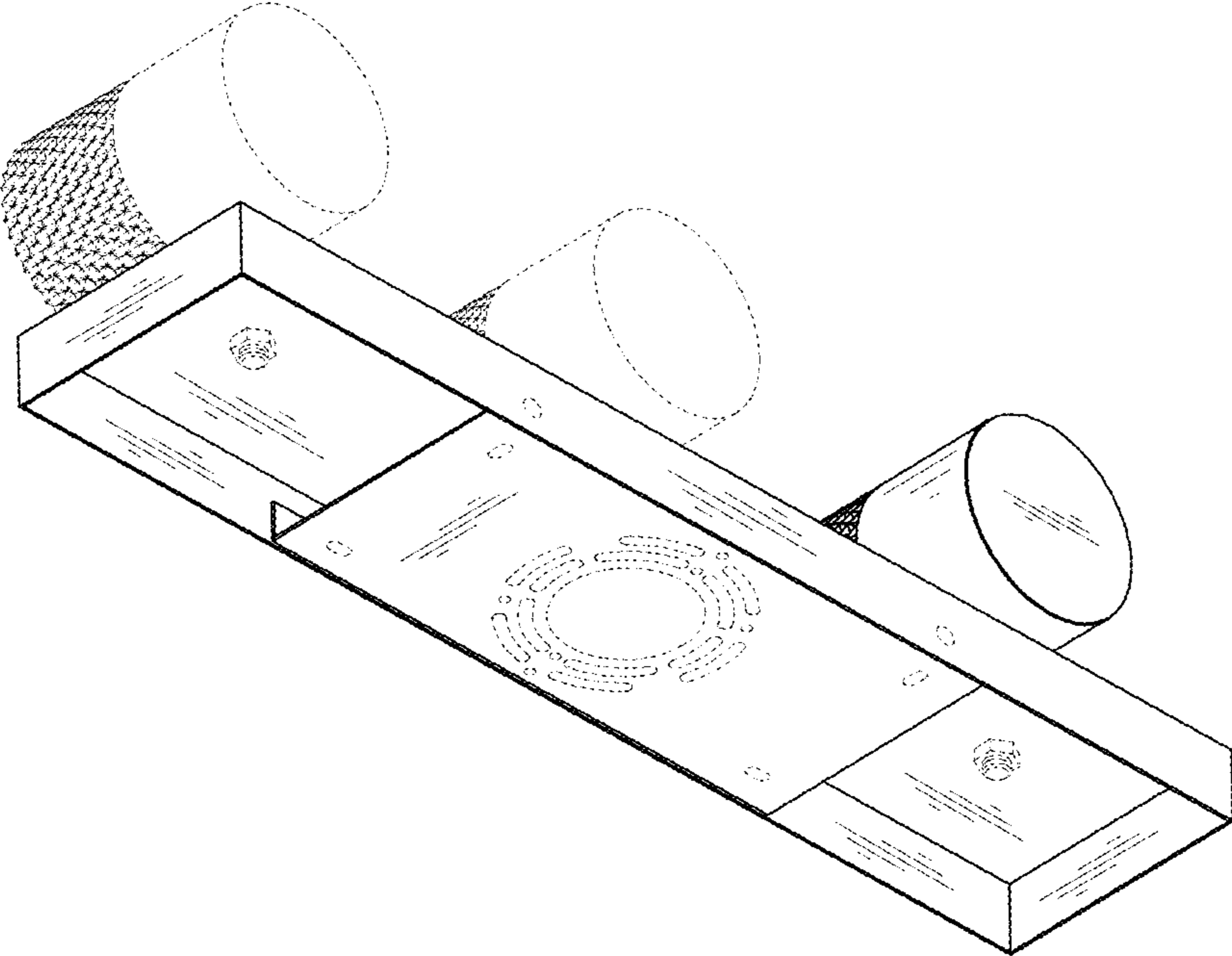


FIG. 2

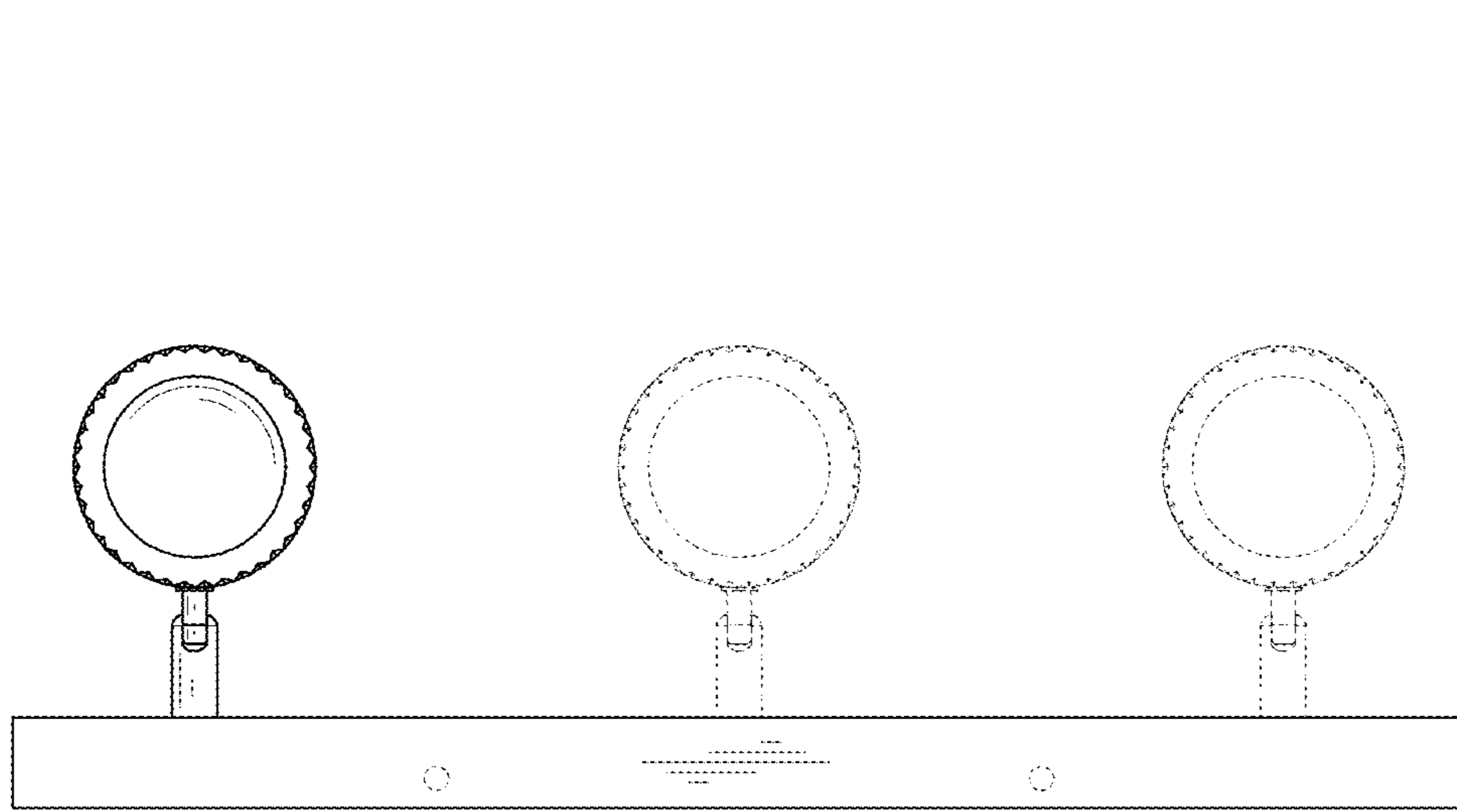


FIG. 3

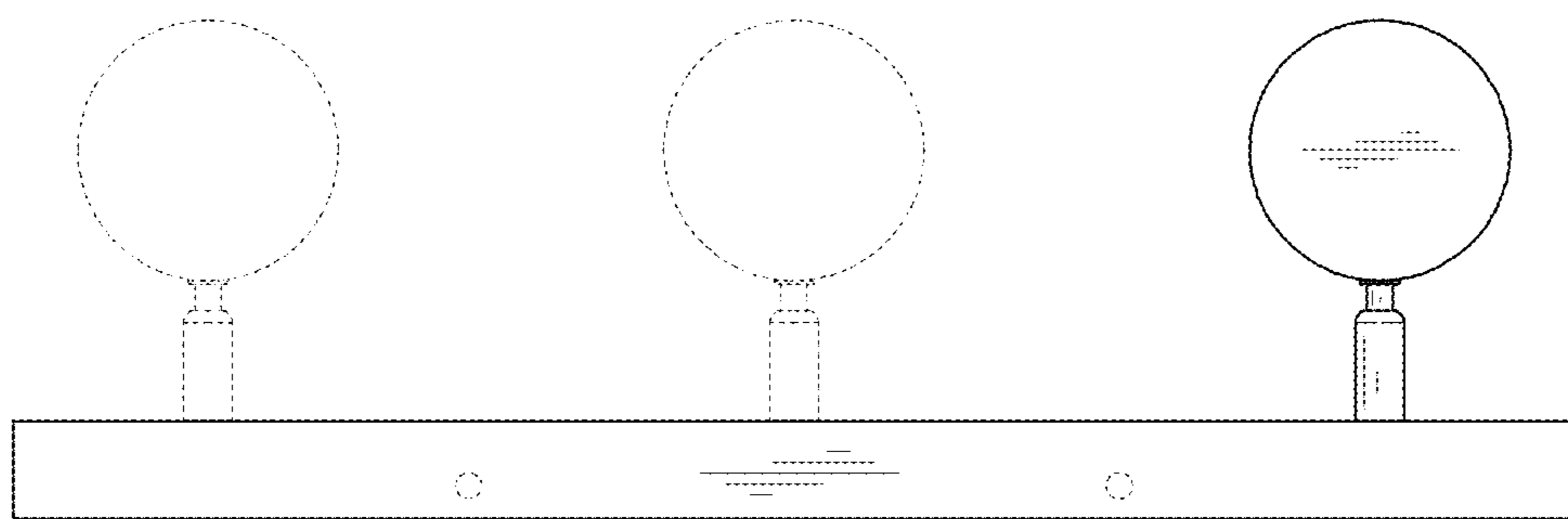


FIG. 4

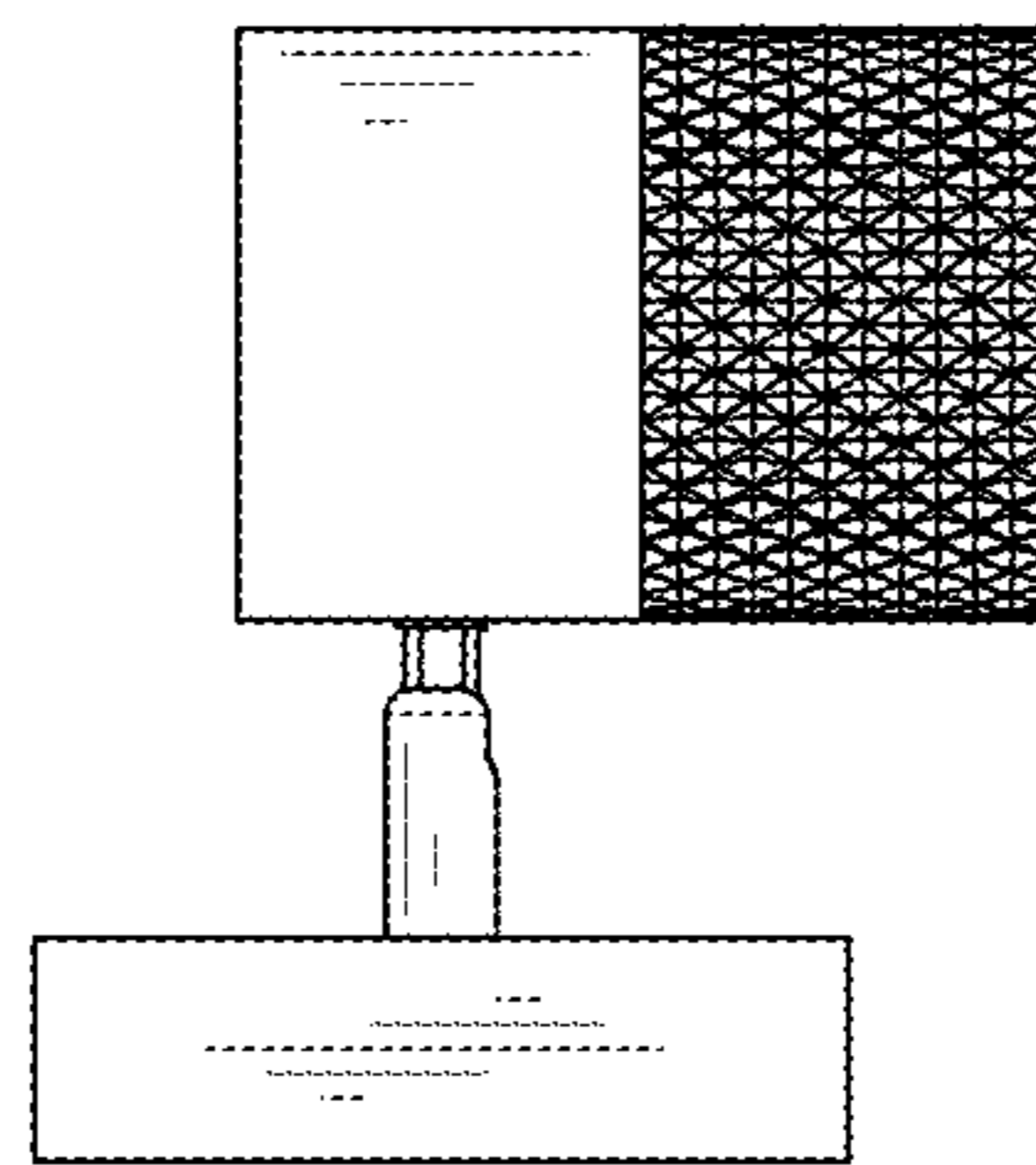


FIG. 5

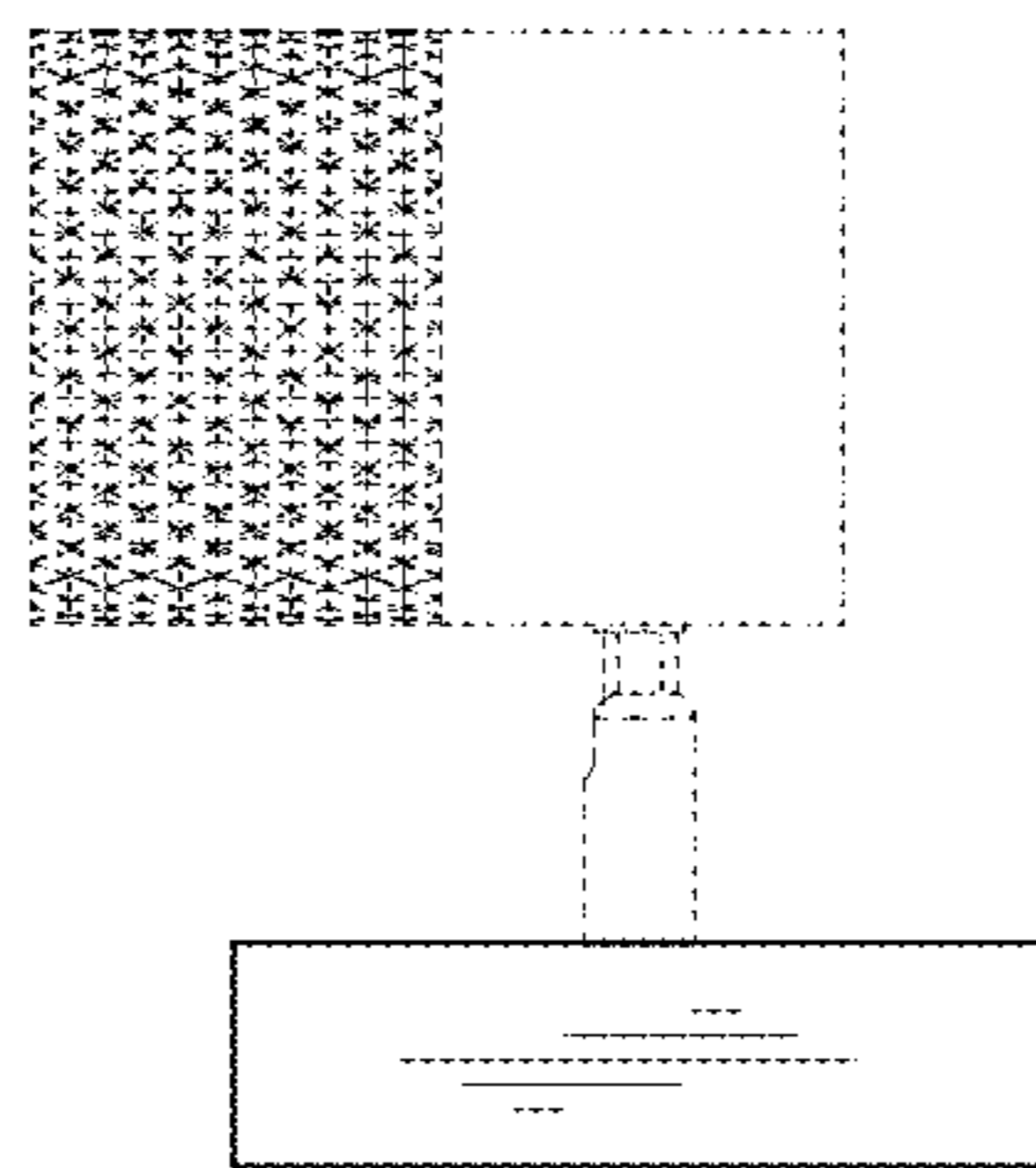


FIG. 6

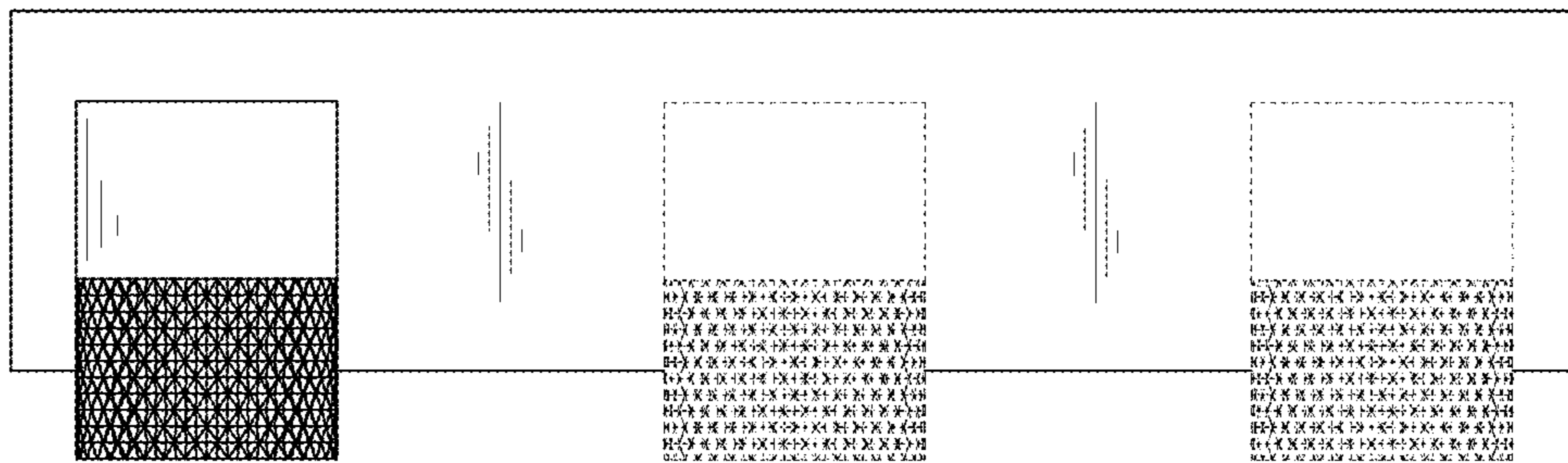


FIG. 7

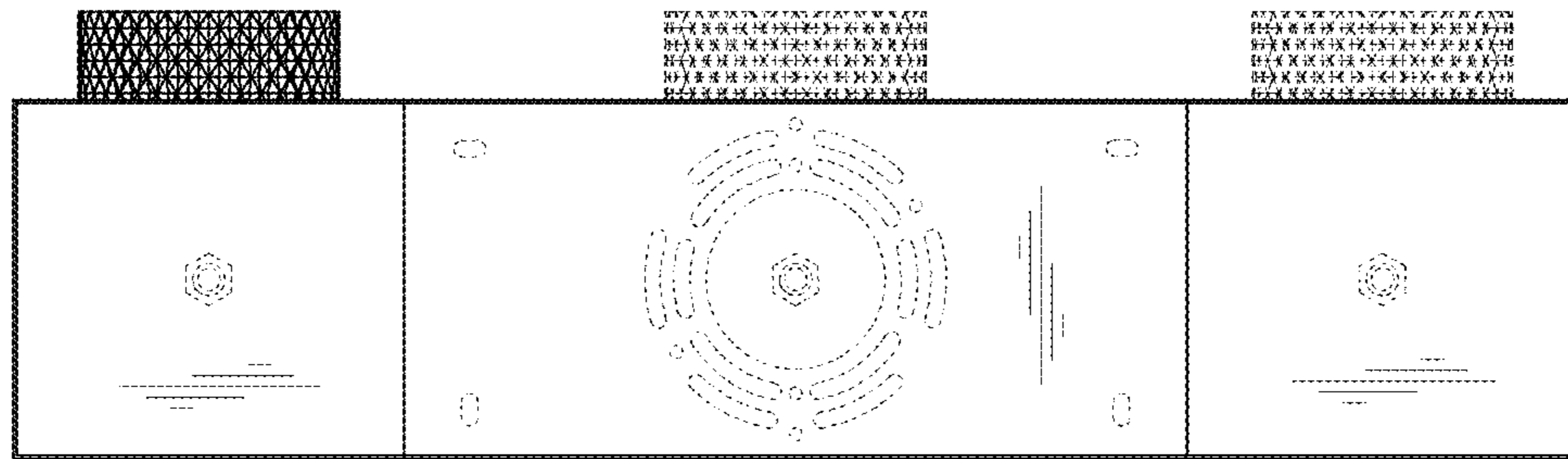


FIG. 8

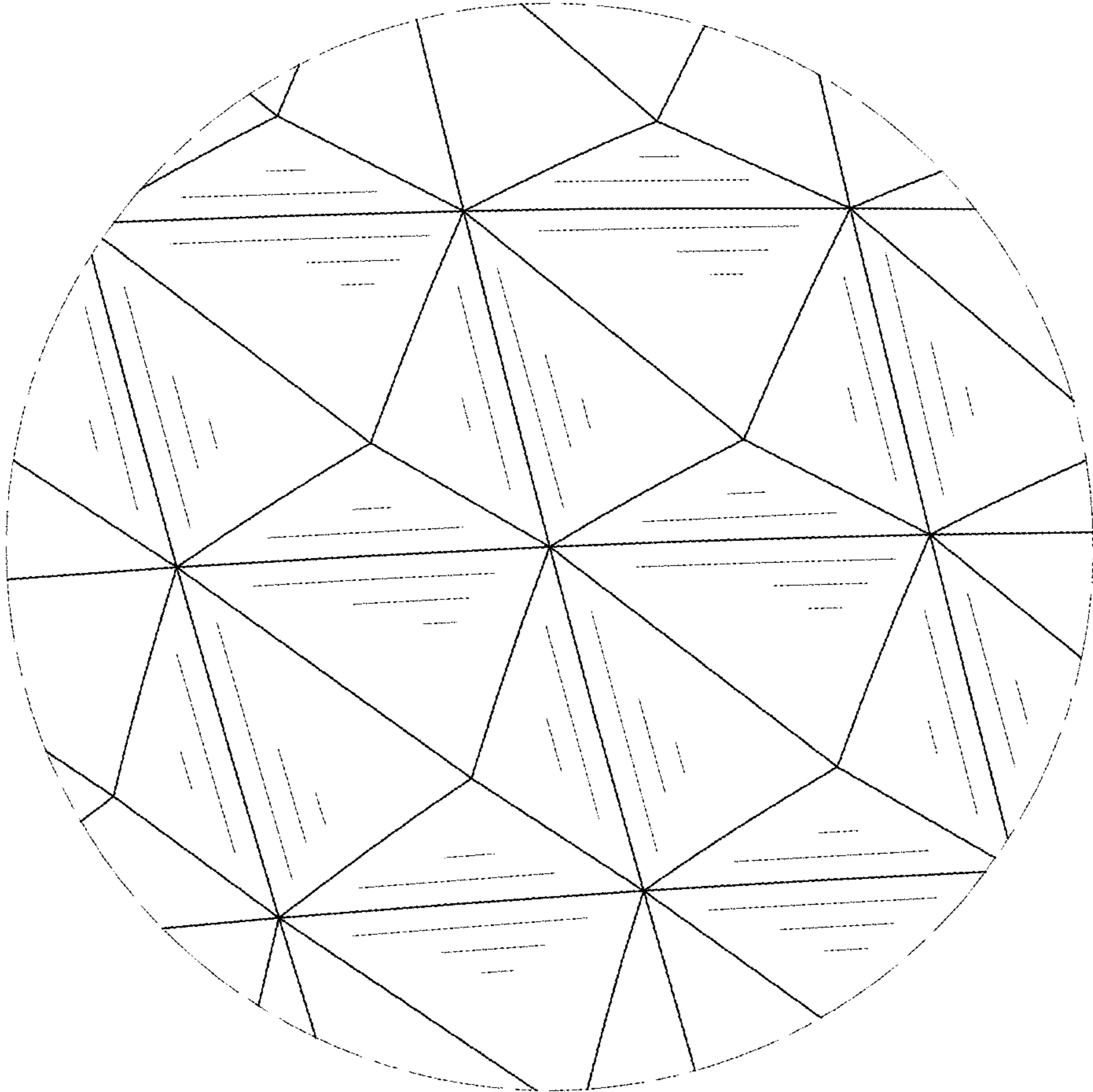


FIG. 9

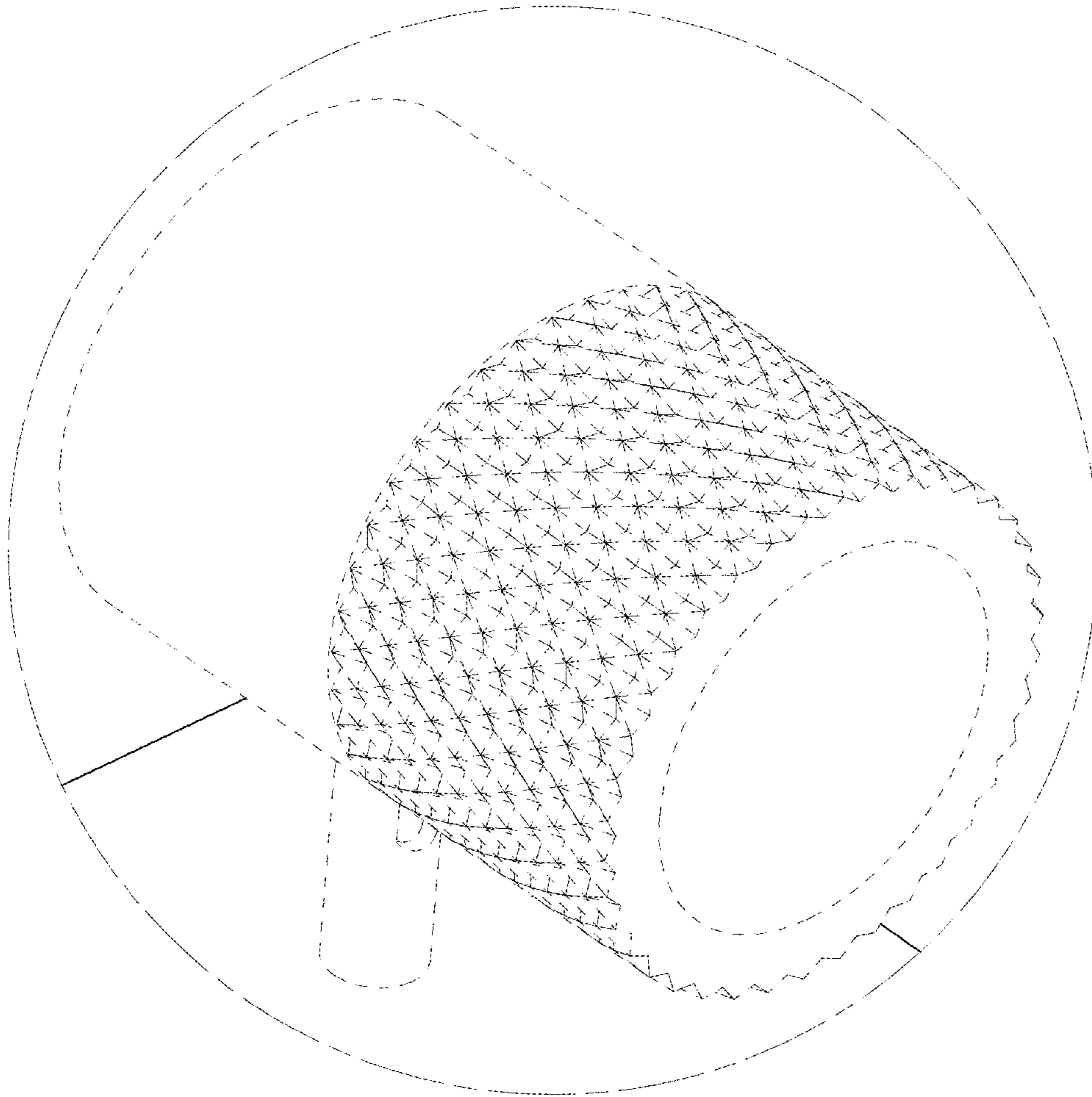


FIG. 10