



US00D959040S

(12) **United States Design Patent**
Bitton et al.

(10) **Patent No.:** **US D959,040 S**
(45) **Date of Patent:** **** Jul. 26, 2022**

(54) **LIGHT FIXTURE**

D389,090 S 1/1998 Armijo
D482,815 S 11/2003 Rugee
D601,743 S 10/2009 Sabernig
(Continued)

(71) Applicant: **Eurofase Inc.**, Richmond Hill (CA)

(72) Inventors: **Jacques Bitton**, Richmond Hill (CA);
Antonio Tony Zitoli, Richmond Hill (CA)

(73) Assignee: **Eurofase Inc.**, Richmond Hill (CA)

(**) Term: **15 Years**

(21) Appl. No.: **29/746,557**

(22) Filed: **Aug. 14, 2020**

Related U.S. Application Data

(63) Continuation of application No. 29/684,140, filed on Mar. 19, 2019, now Pat. No. Des. 899,666.

(30) **Foreign Application Priority Data**

Sep. 19, 2018 (CA) CA 183649

(51) **LOC (13) Cl.** **26-03**

(52) **U.S. Cl.**
USPC **D26/86; D26/88**

(58) **Field of Classification Search**
USPC D26/72, 73, 80-86, 88, 90, 91, 118
CPC F21S 8/04; F21S 8/043; F21S 8/046; F21S 8/06; F21S 8/061; F21S 8/063; F21S 8/065

See application file for complete search history.

(56) **References Cited**

U.S. PATENT DOCUMENTS

1,822,798 A 9/1931 Carroll
3,655,495 A 4/1972 Carrell
D226,532 S 3/1973 Ishii

OTHER PUBLICATIONS

Trento light fixtures on pp. 45-50 of the Eurofase Form Catalog No. MKT-CAT-EF19, copyright 2019.

(Continued)

Primary Examiner — Clare E Heflin

(74) *Attorney, Agent, or Firm* — Bereskin & Parr, LLP/S.E.N.C.R.L., s.r.l.; Stephen M. Beney

(57) **CLAIM**

The ornamental design for a light fixture, as shown and described.

DESCRIPTION

FIG. 1 is a front elevation view of a first embodiment of a light fixture;

FIG. 2 is a top plan view of the light fixture of FIG. 1;

FIG. 3 is a side elevation view of the light fixture of FIG. 1;

FIG. 4 is a bottom plan view of the light fixture of FIG. 1;

FIG. 5 is a front elevation view of a second embodiment of a light fixture;

FIG. 6 is a top plan view of the light fixture of FIG. 5;

FIG. 7 is a side elevation view of the light fixture of FIG. 5;

FIG. 8 is a bottom plan view of the light fixture of FIG. 6;

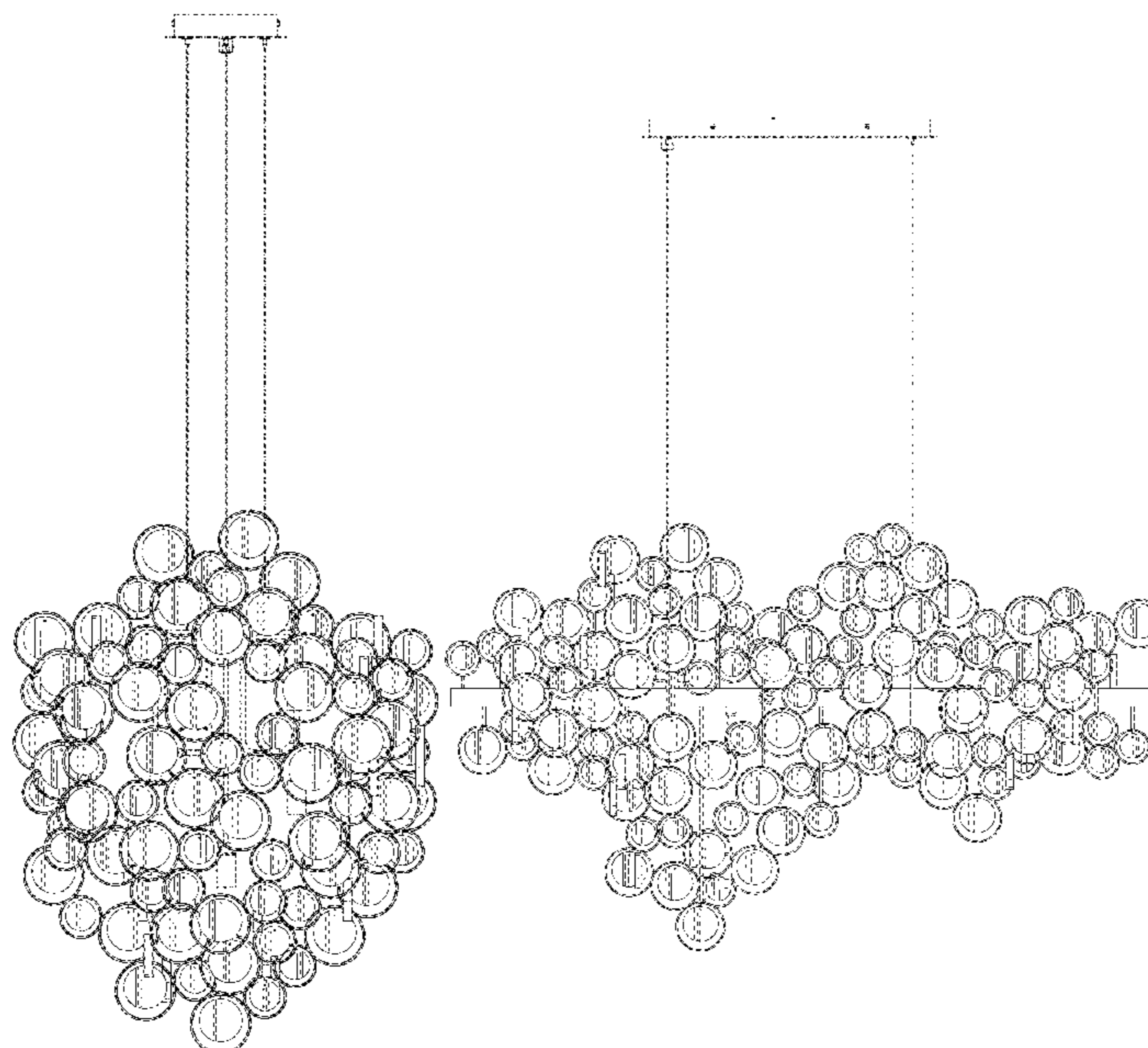
FIG. 9 is a front elevation view of a third embodiment of a light fixture;

FIG. 10 is a top plan view of the light fixture of FIG. 9;

FIG. 11 is a side elevation view of the light fixture of FIG. 9; and,

FIG. 12 is a bottom plan view of the light fixture of FIG. 9. The broken lines shown on the drawings depict portions of the light fixture that form no part of the claimed design.

1 Claim, 12 Drawing Sheets



(56)

References Cited

U.S. PATENT DOCUMENTS

D695,944 S * 12/2013 Baylar D26/88
D712,585 S * 9/2014 Bassetti D26/90
D729,430 S * 5/2015 Poulton D26/88
D759,875 S 6/2016 Giopato et al.
D790,104 S * 6/2017 Micheli D26/88
D826,452 S 8/2018 Sonneman
D831,263 S 10/2018 Streit
D848,644 S 5/2019 Clement
D877,960 S 3/2020 Dessecker
D891,676 S * 7/2020 Baylar D26/81

OTHER PUBLICATIONS

Quincy Ten-Light Distressed Twilight Chandelier by Crystorama Lighting Group, Bellacor.com, Visited Apr. 23, 2020.
Brass and Glass Chandelier by J.T. Kalmar for Kalmar, designed in the 1960s, from panomo.com, 1969.

* cited by examiner

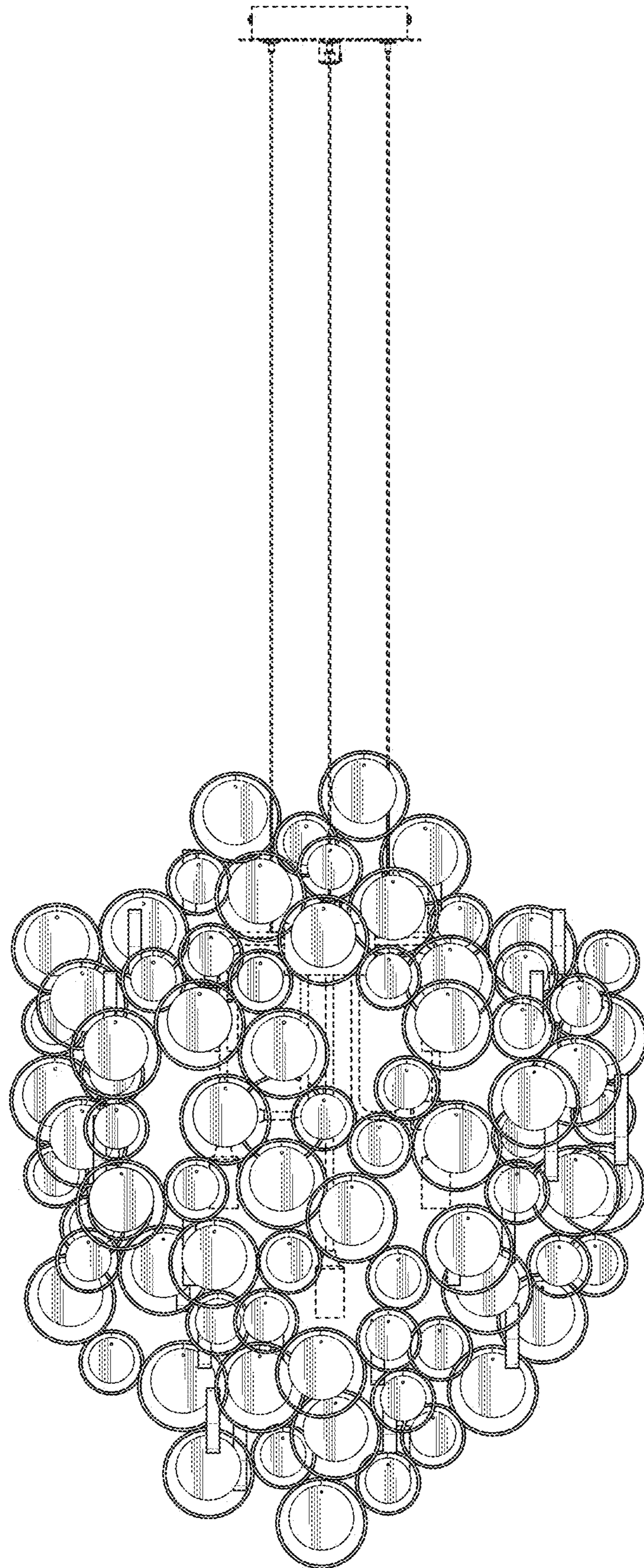


FIGURE.1

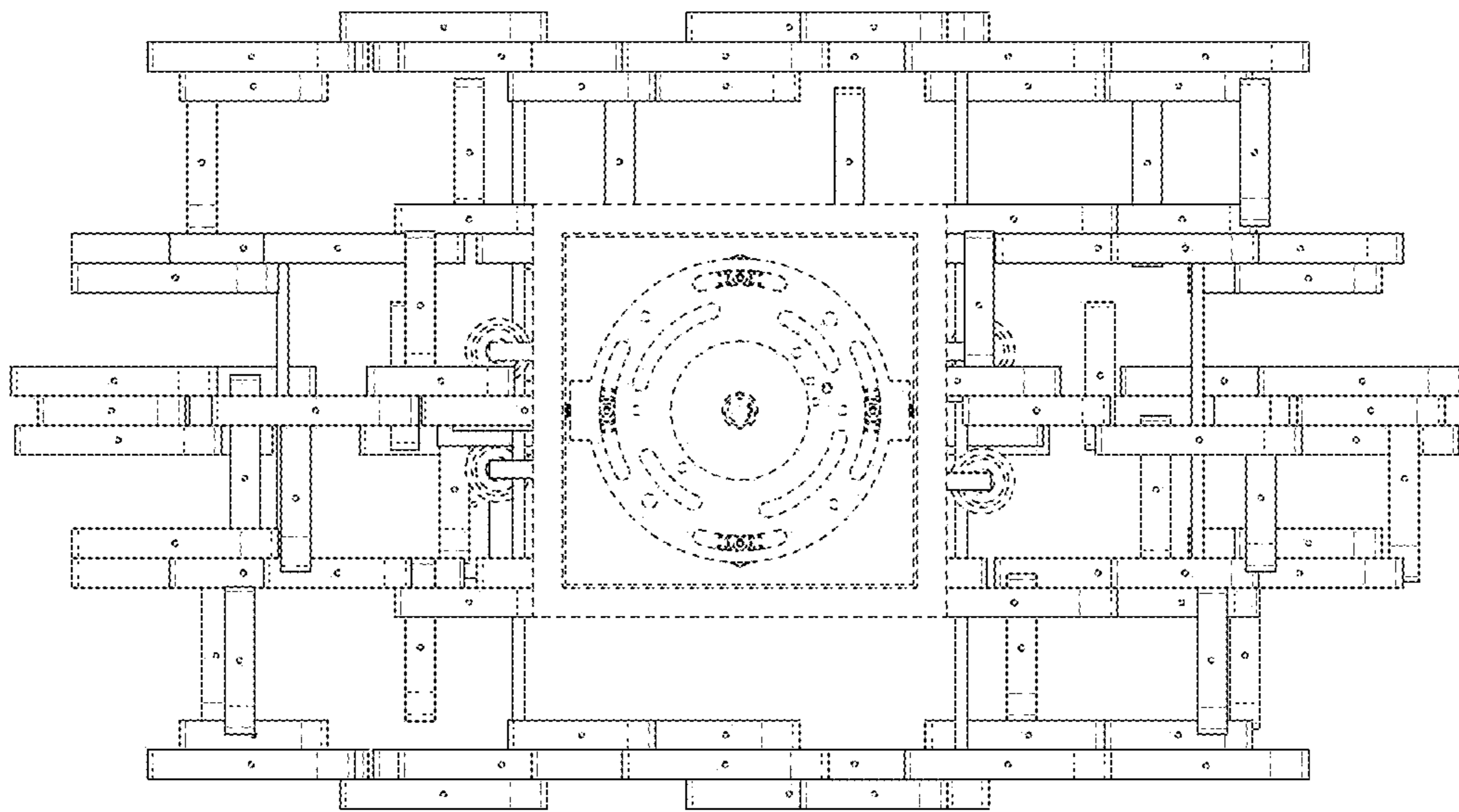


FIGURE.2

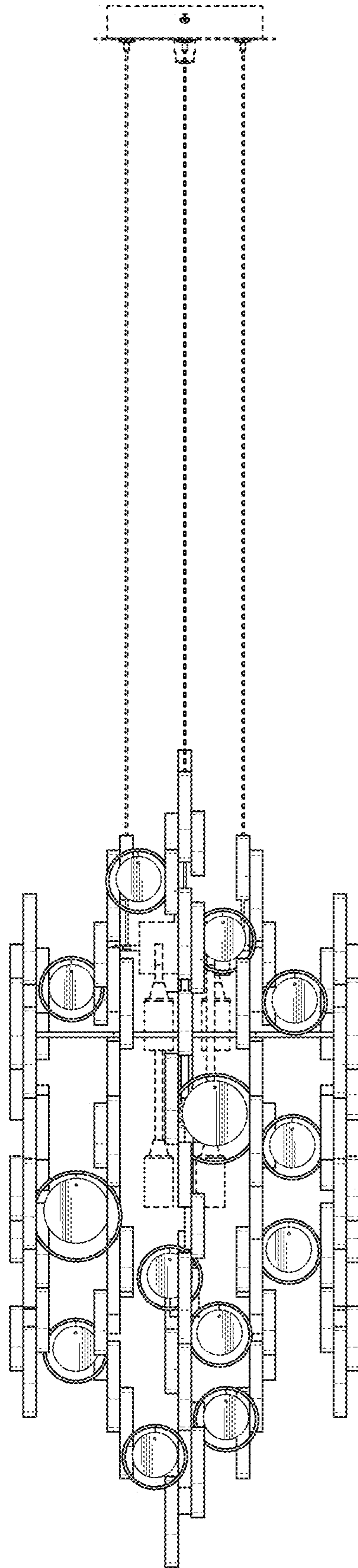


FIGURE.3

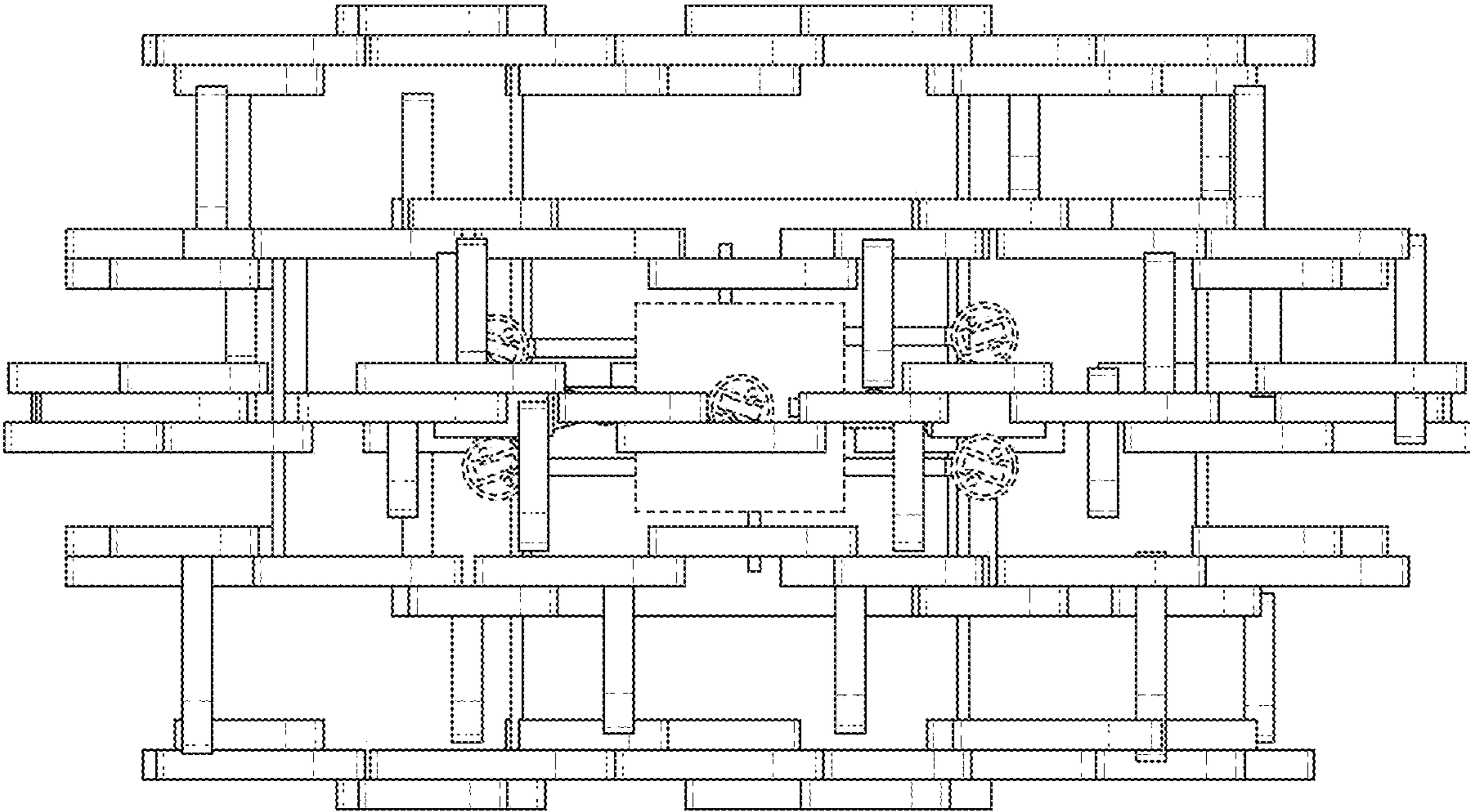


FIGURE.4

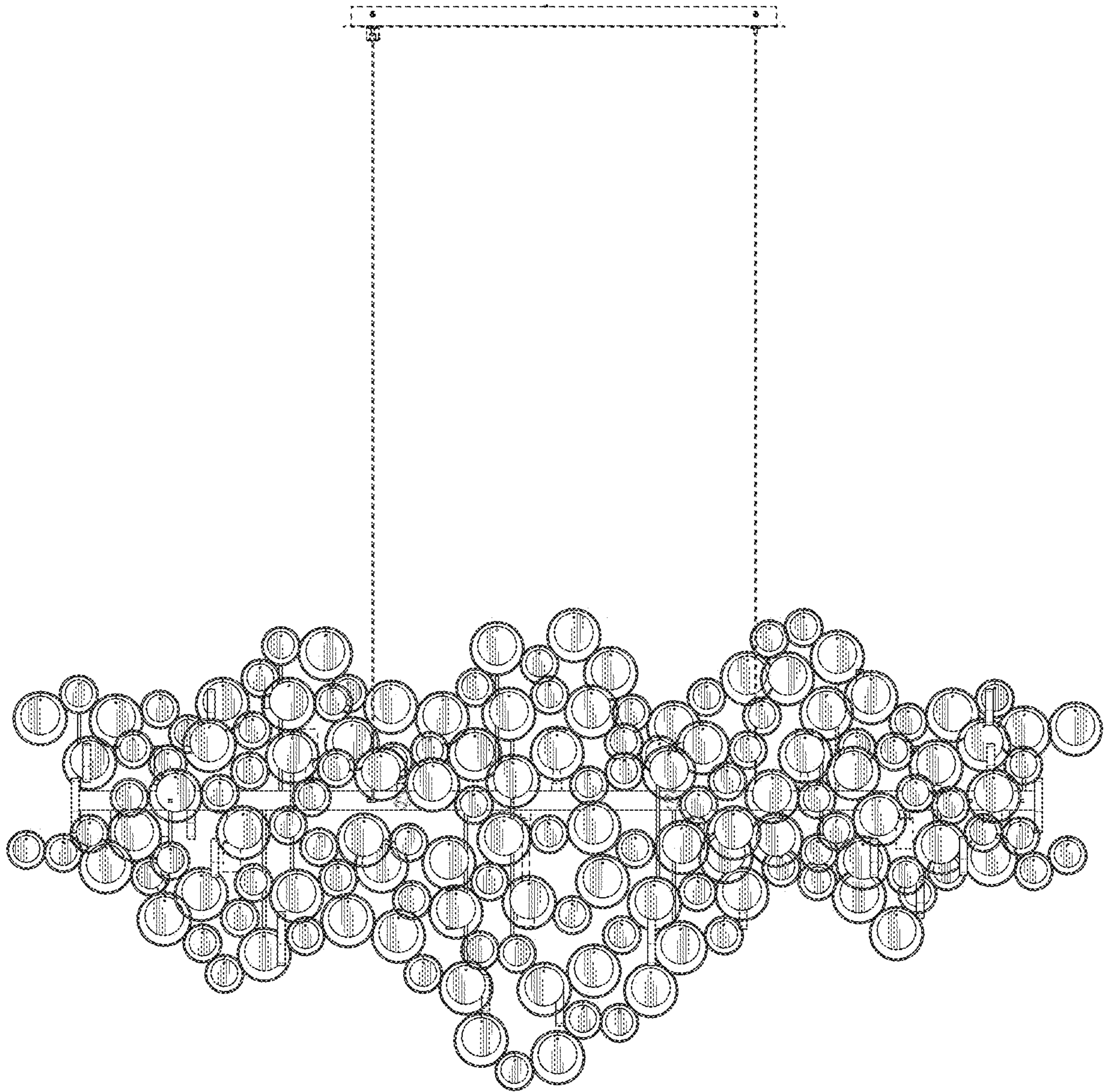


FIGURE.5

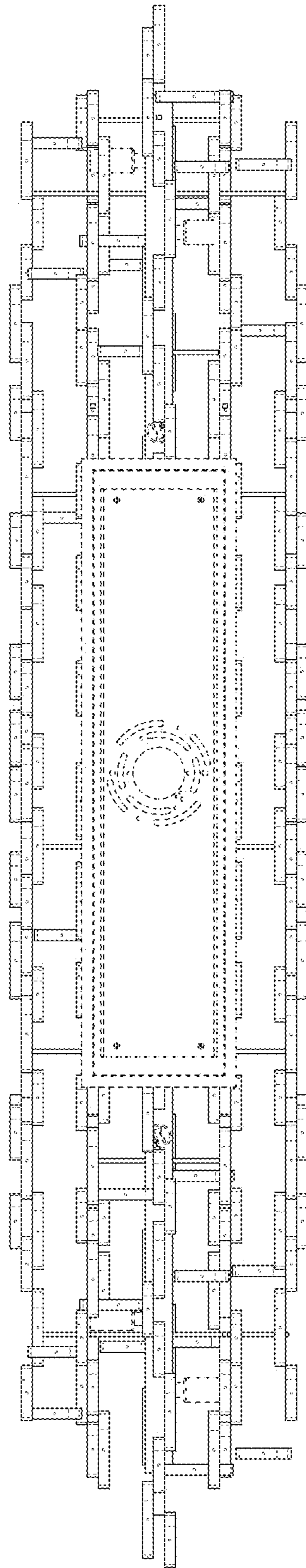


FIGURE.6

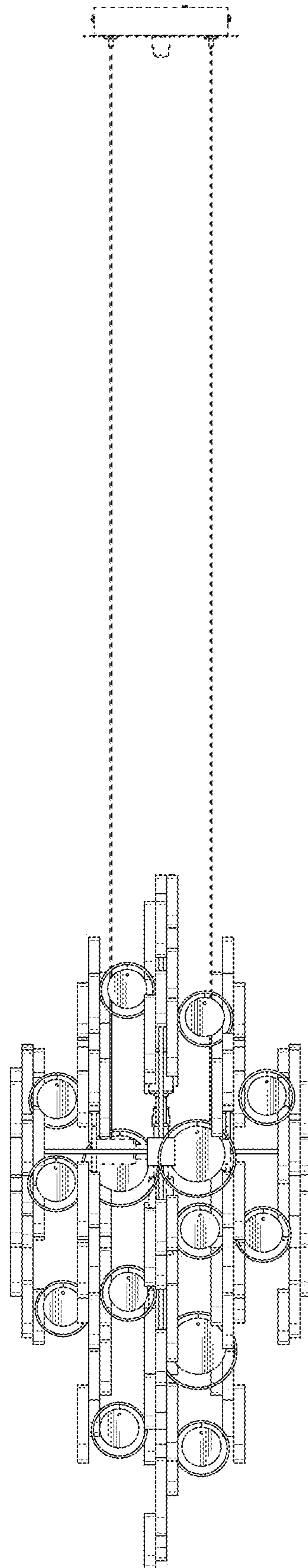


FIGURE.7

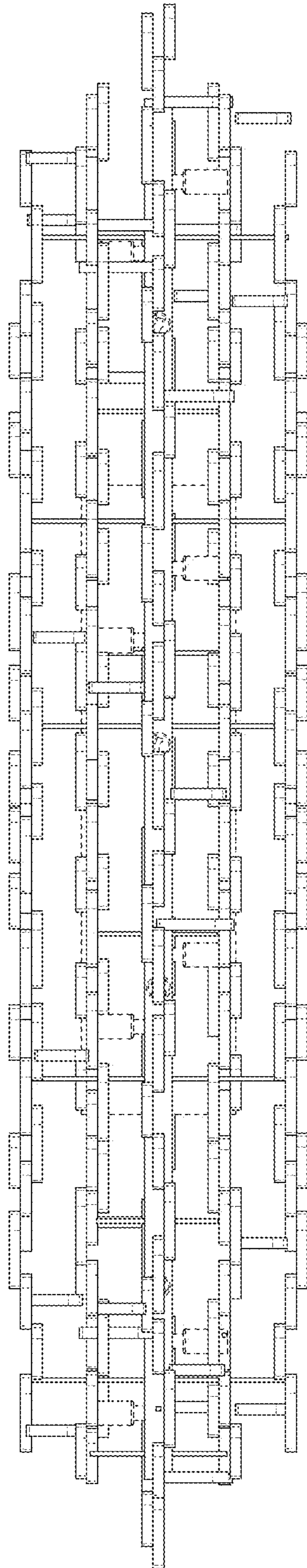


FIGURE.8

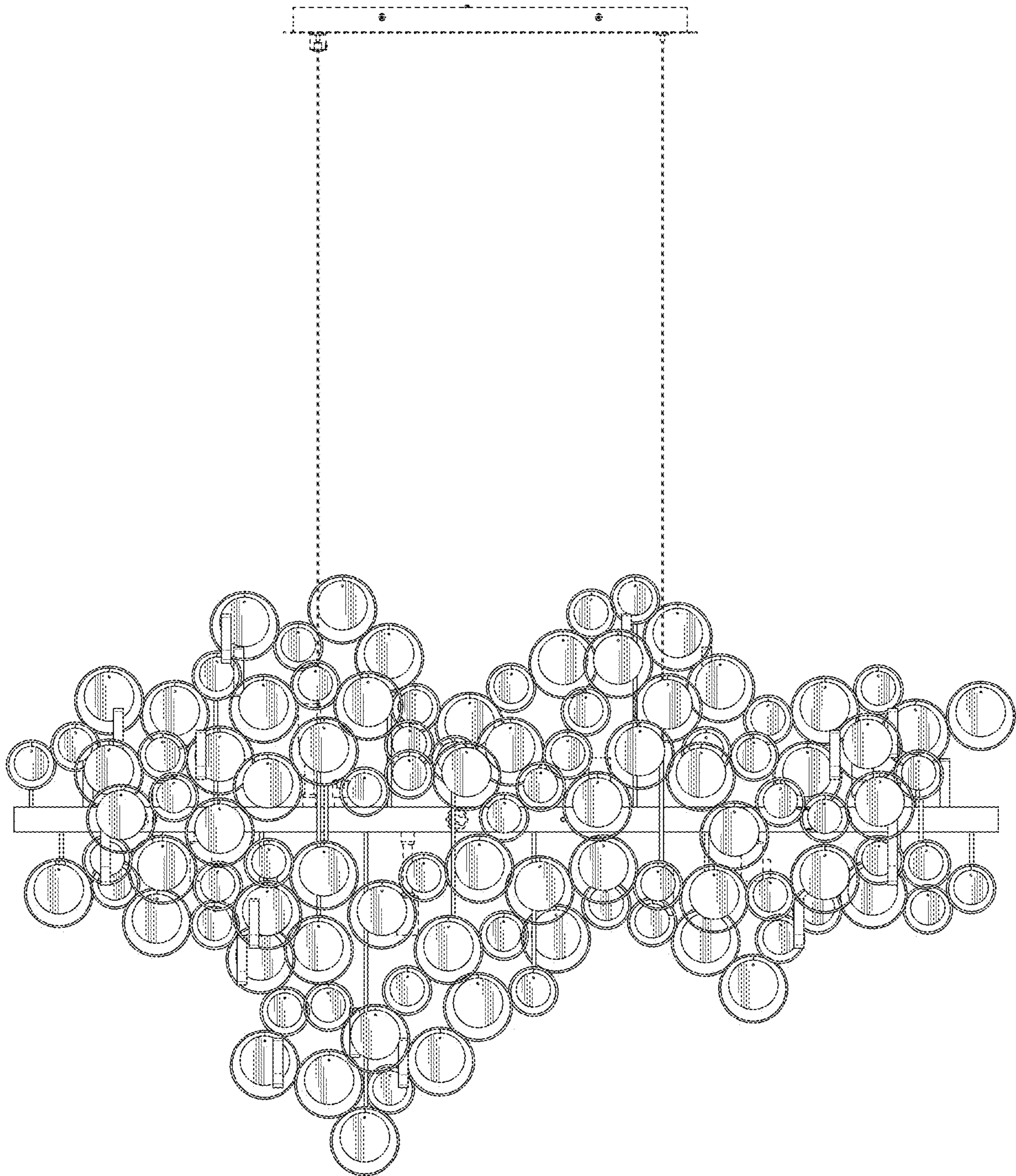


FIGURE.9

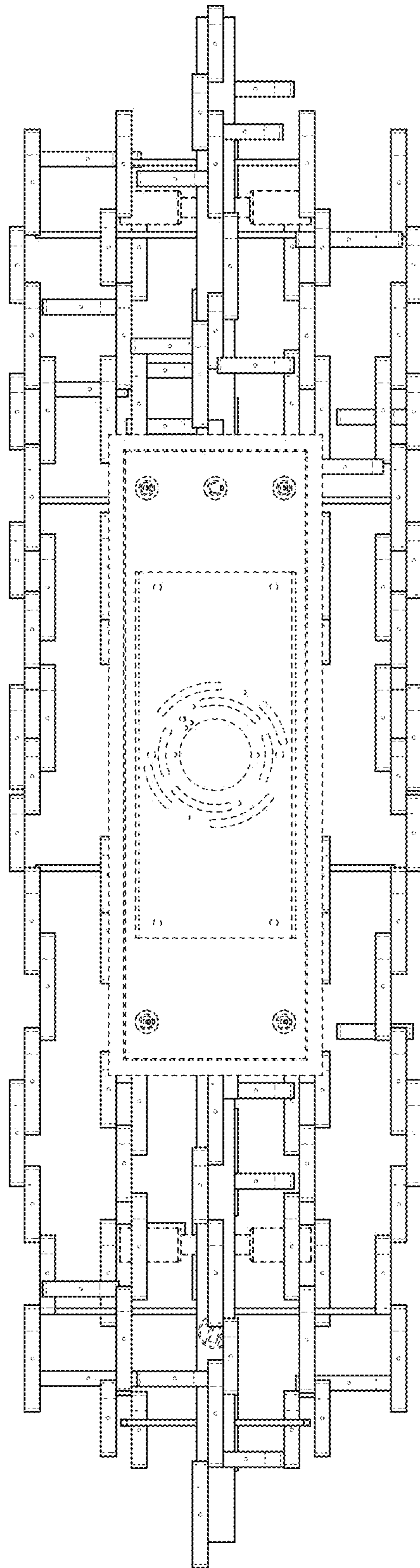


FIGURE.10

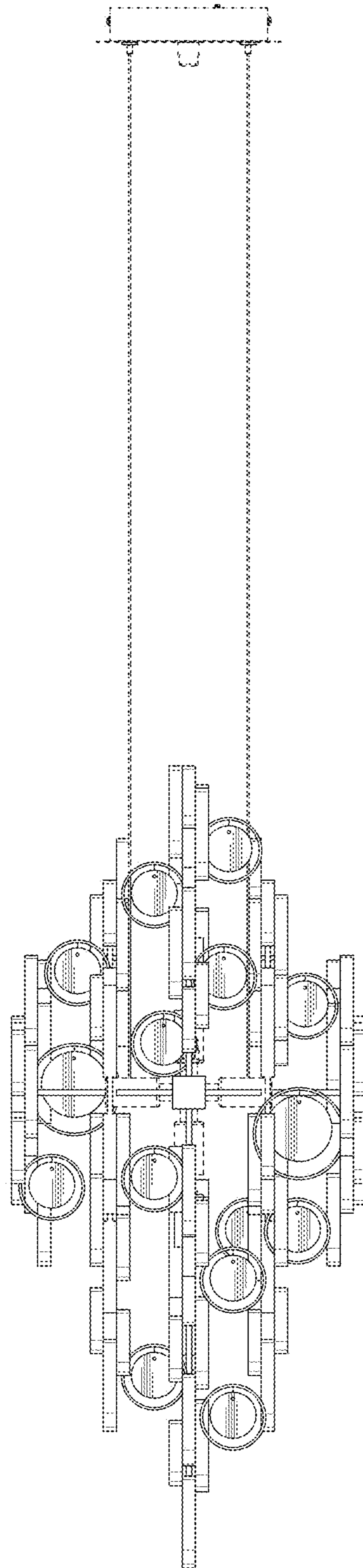


FIGURE.11

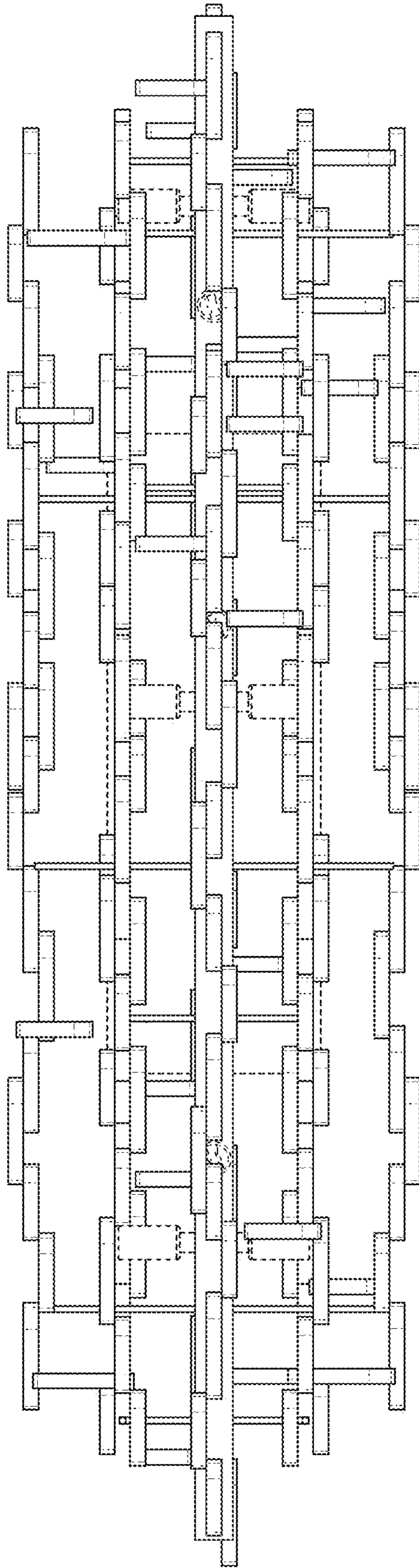


FIGURE.12