



US00D959035S

(12) **United States Design Patent** (10) **Patent No.:** **US D959,035 S**
Kentley-Klay et al. (45) **Date of Patent:** **** Jul. 26, 2022**

(54) **LAMP FOR A VEHICLE**

(56) **References Cited**

(71) Applicant: **Zoox, Inc.**, Foster City, CA (US)

U.S. PATENT DOCUMENTS

(72) Inventors: **Timothy David Kentley-Klay**,
Stanford, CA (US); **Richard Luke**
Osellame, Redwood City, CA (US);
Nahuel Elias Battaglia, Stanford, CA
(US); **Herman Francisco Delos**
Santos, Redwood City, CA (US);
Christopher John Stoffel, San Carlos,
CA (US)

D685,936 S * 7/2013 Suzuki D26/28
D765,285 S * 8/2016 Lai D26/28
D796,095 S * 8/2017 Huang D26/28
D800,933 S * 10/2017 Chiu D26/28
D852,994 S * 7/2019 Morgenstern D26/28
D857,264 S * 8/2019 Goodrich D26/28

(73) Assignee: **Zoox, Inc.**, Foster City, CA (US)

OTHER PUBLICATIONS

(**) Term: **15 Years**

The Chinese Office Action dated Feb. 21, 2020 for Chinese Patent Application No. 201830770711.6, a counterpart of U.S. Appl. No. 29/655,169, 2 pages.
The Chinese Office Action dated Apr. 19, 2019 for Chinese Patent Application No. 201830770711.6, a counterpart of U.S. Appl. No. 29/655,169, 1 page.

(21) Appl. No.: **29/798,578**

* cited by examiner

(22) Filed: **Jul. 8, 2021**

Primary Examiner — Marcus A Jackson
(74) *Attorney, Agent, or Firm* — Lee & Hayes, P.C.

Related U.S. Application Data

(62) Division of application No. 29/655,169, filed on Jun. 29, 2018, now Pat. No. Des. 927,026.

(57) **CLAIM**

The ornamental design for a lamp for a vehicle, as shown and described.

(51) **LOC (13) Cl.** **26-06**

DESCRIPTION

(52) **U.S. Cl.**

USPC **D26/28**

(58) **Field of Classification Search**

USPC D26/28-36, 139

CPC F21S 48/00; F21S 48/10; F21S 48/115;

F21S 48/225; F21S 48/1233; F21S

48/1266; F21S 48/1388; F21S 48/2268;

F21V 5/00; F21V 21/04; F21V 29/004;

B60Q 9/13; B60Q 9/135; B60Q 9/1375;

F21W 2102/17; F21W 2103/00; F21W

2103/35; F21W 2103/55; F21W 2107/13;

F21W 2107/17

FIG. 1 is a front perspective view of a lamp for a vehicle. The design includes a mirror image of the embodiment depicted;

FIG. 2 is a front view thereof;

FIG. 3 is a back view thereof;

FIG. 4 is a left-side view thereof;

FIG. 5 is a right-side view thereof;

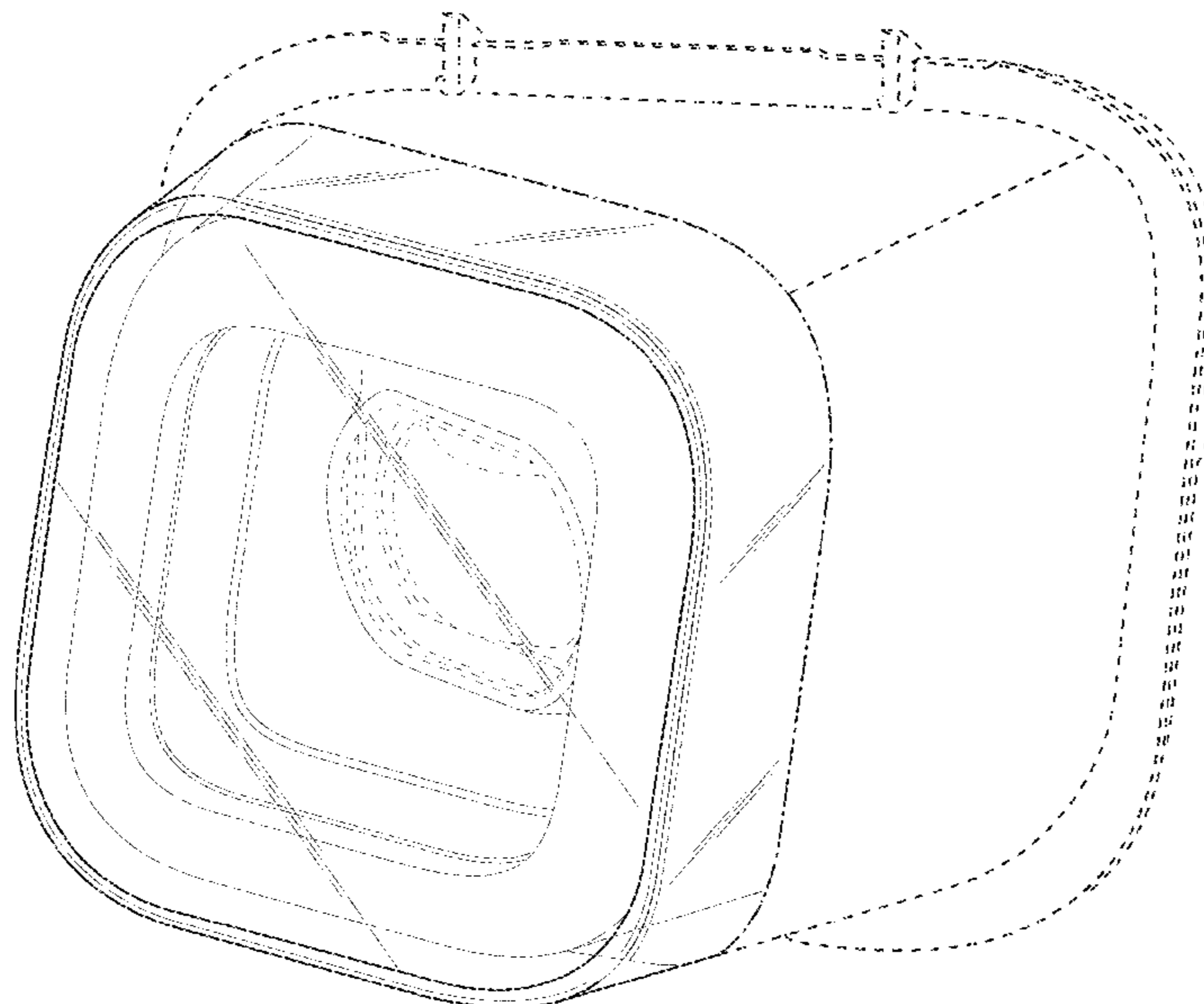
FIG. 6 is a top view thereof; and,

FIG. 7 is a bottom view thereof.

The dashed broken lines depict portions of the lamp for a vehicle that form no part of the claimed design.

See application file for complete search history.

1 Claim, 7 Drawing Sheets



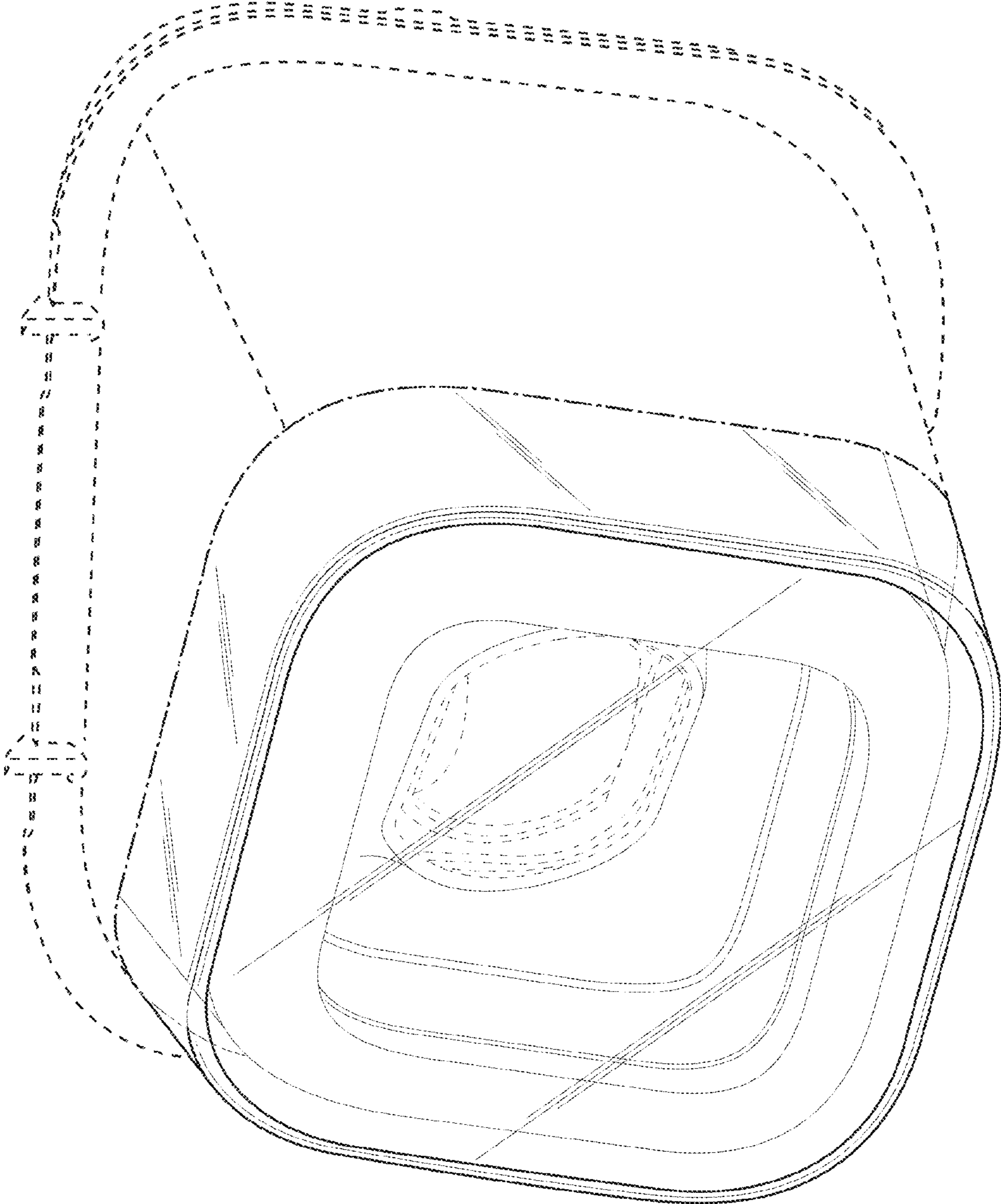


FIG. 1

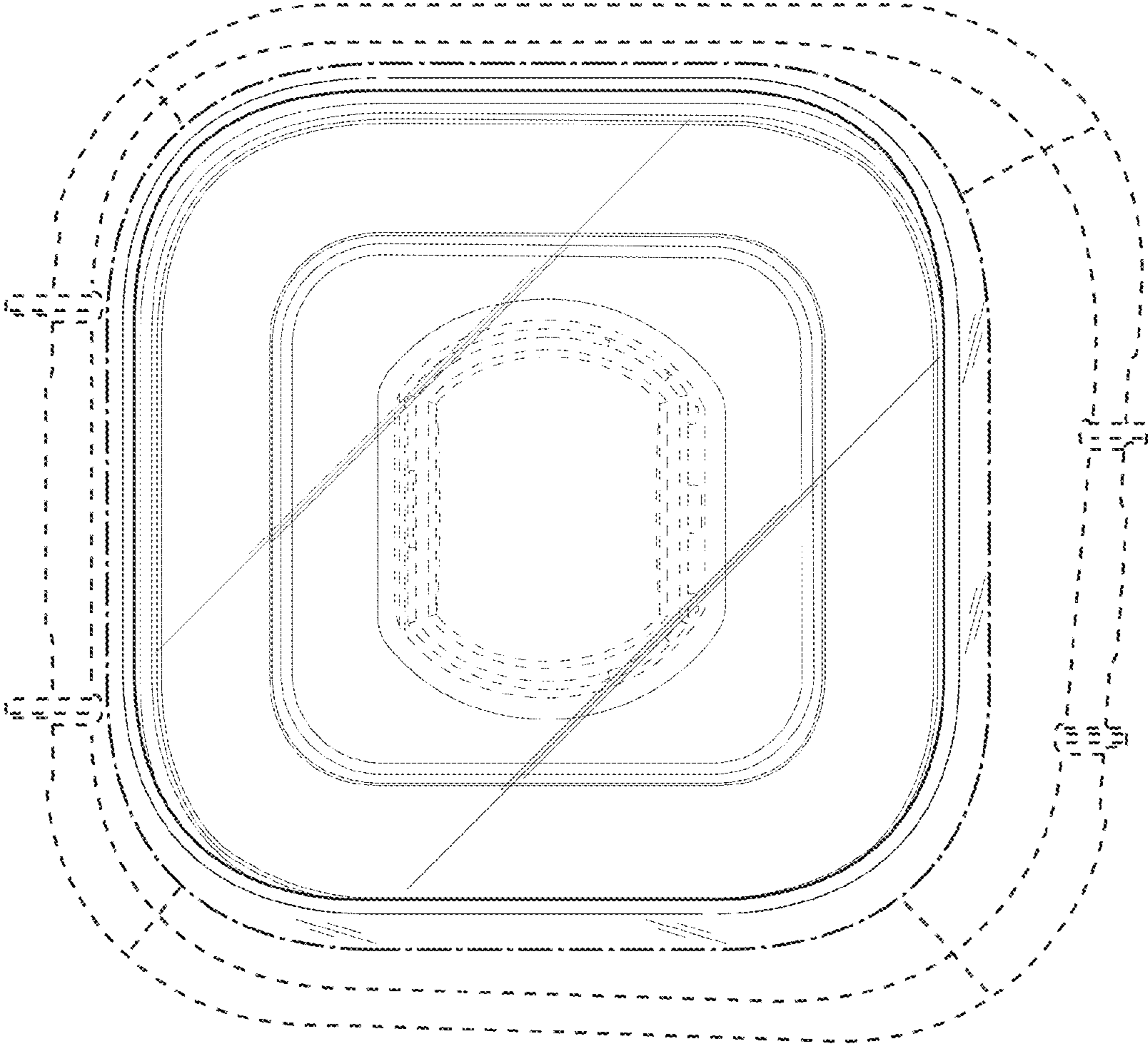


FIG. 2

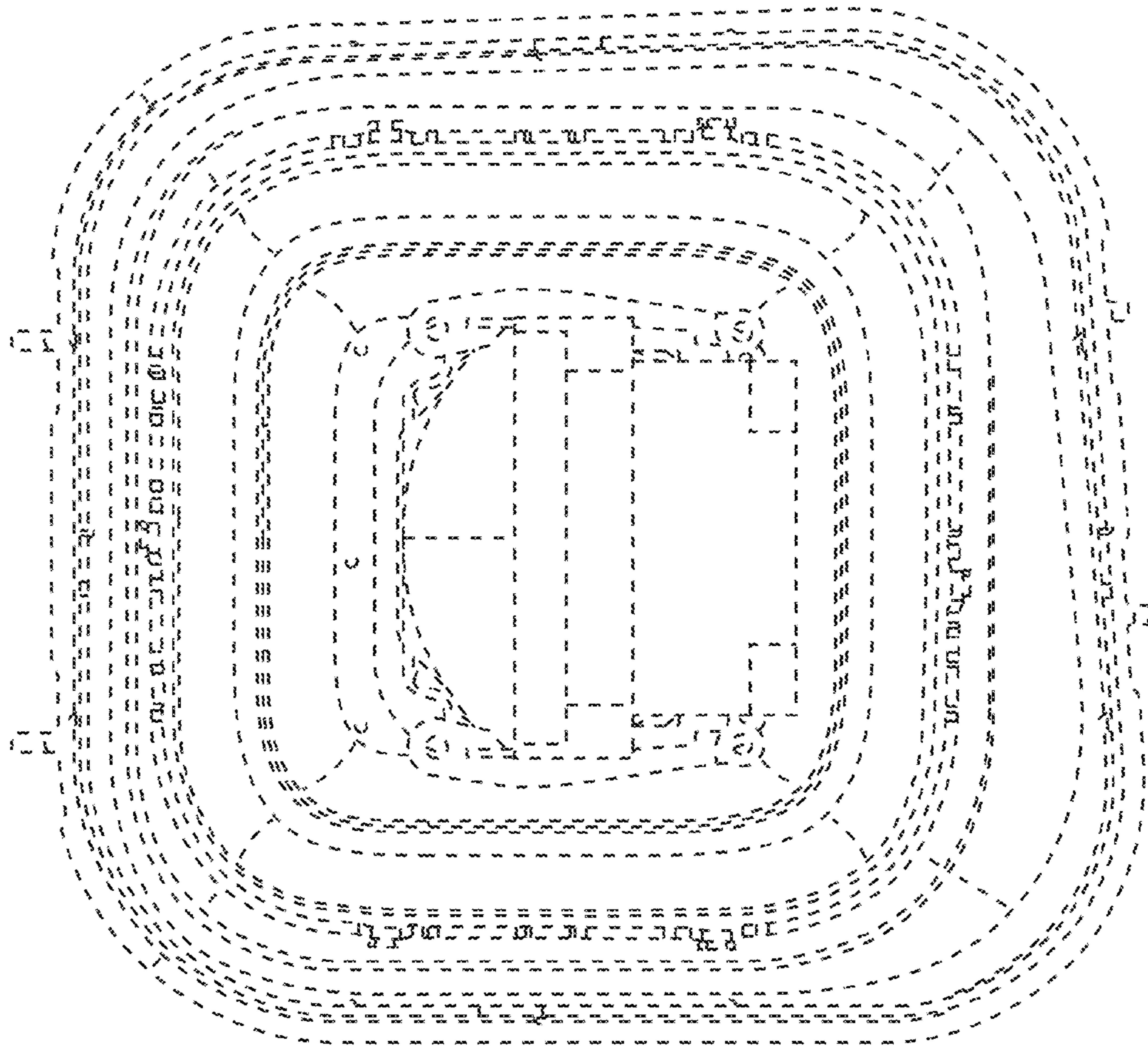


FIG. 3

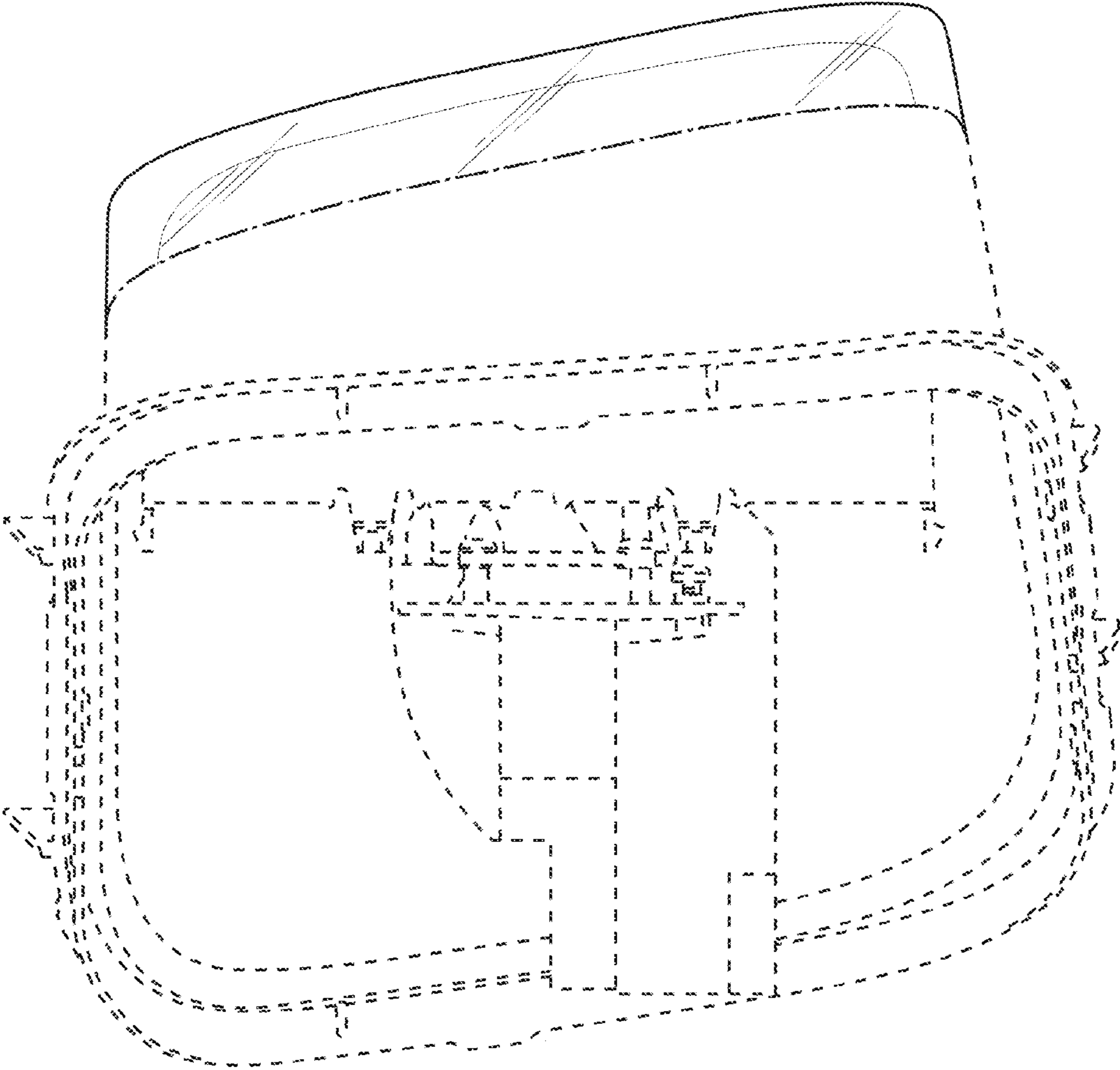


FIG. 4

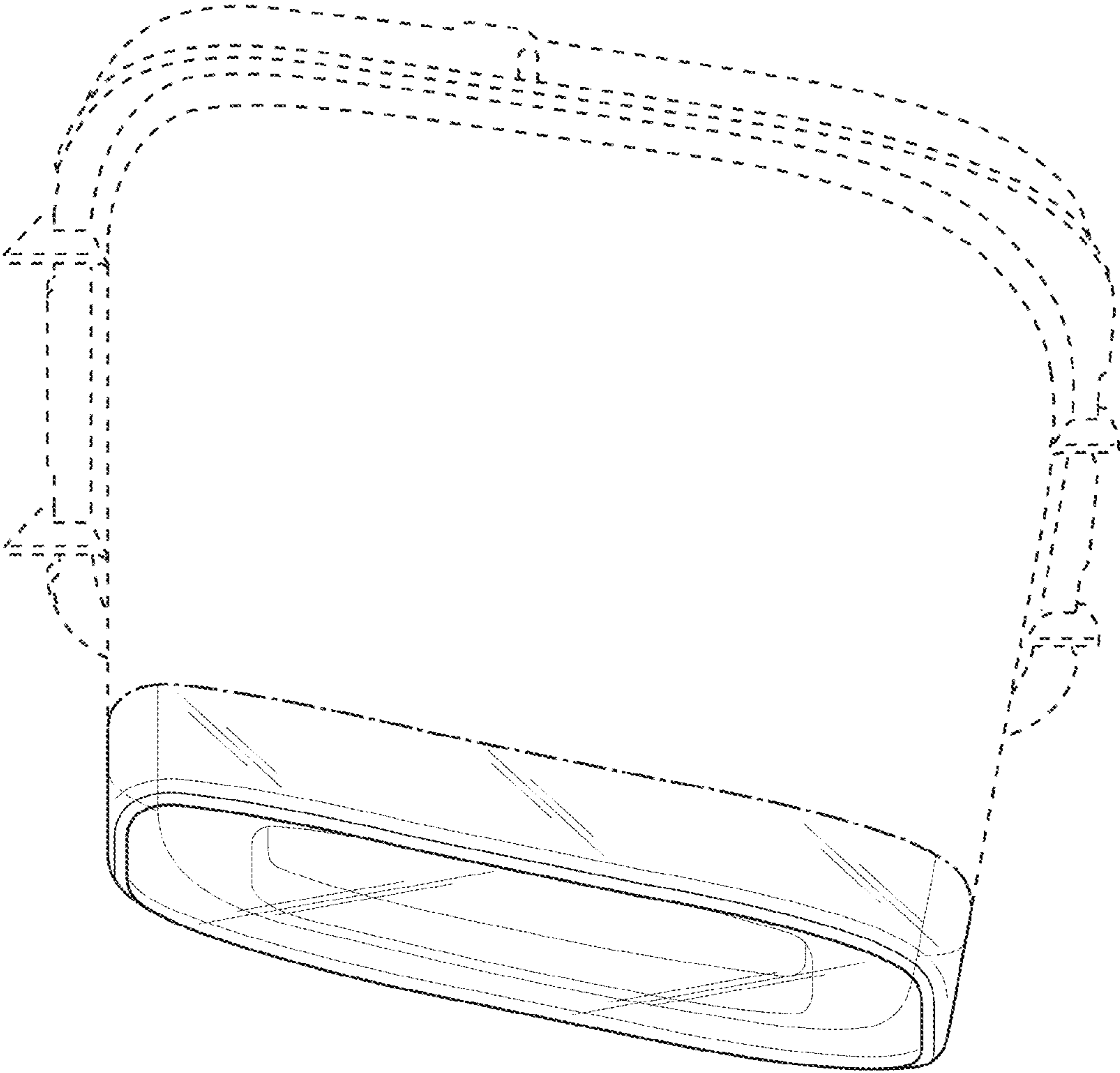


FIG. 5

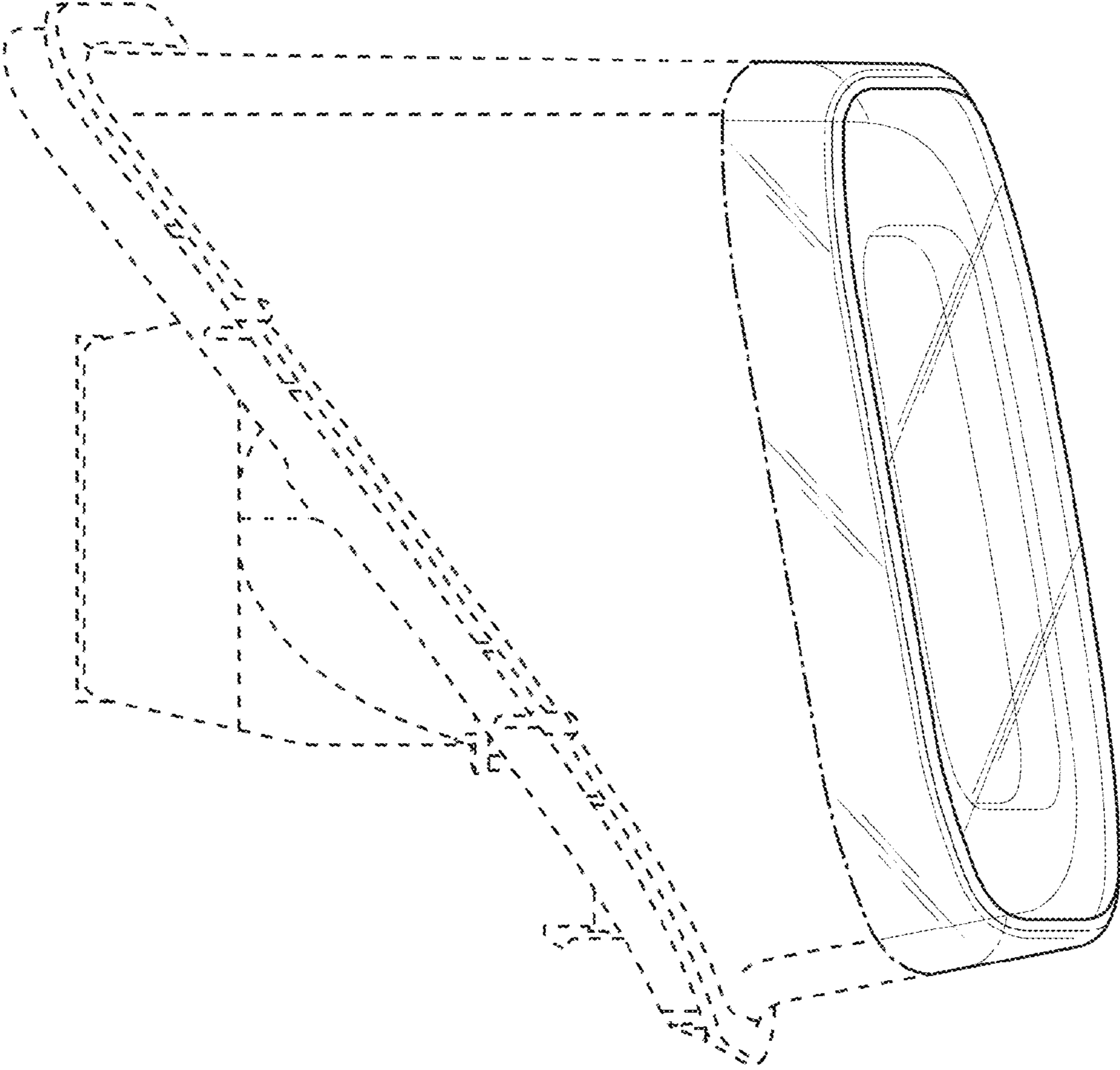


FIG. 6

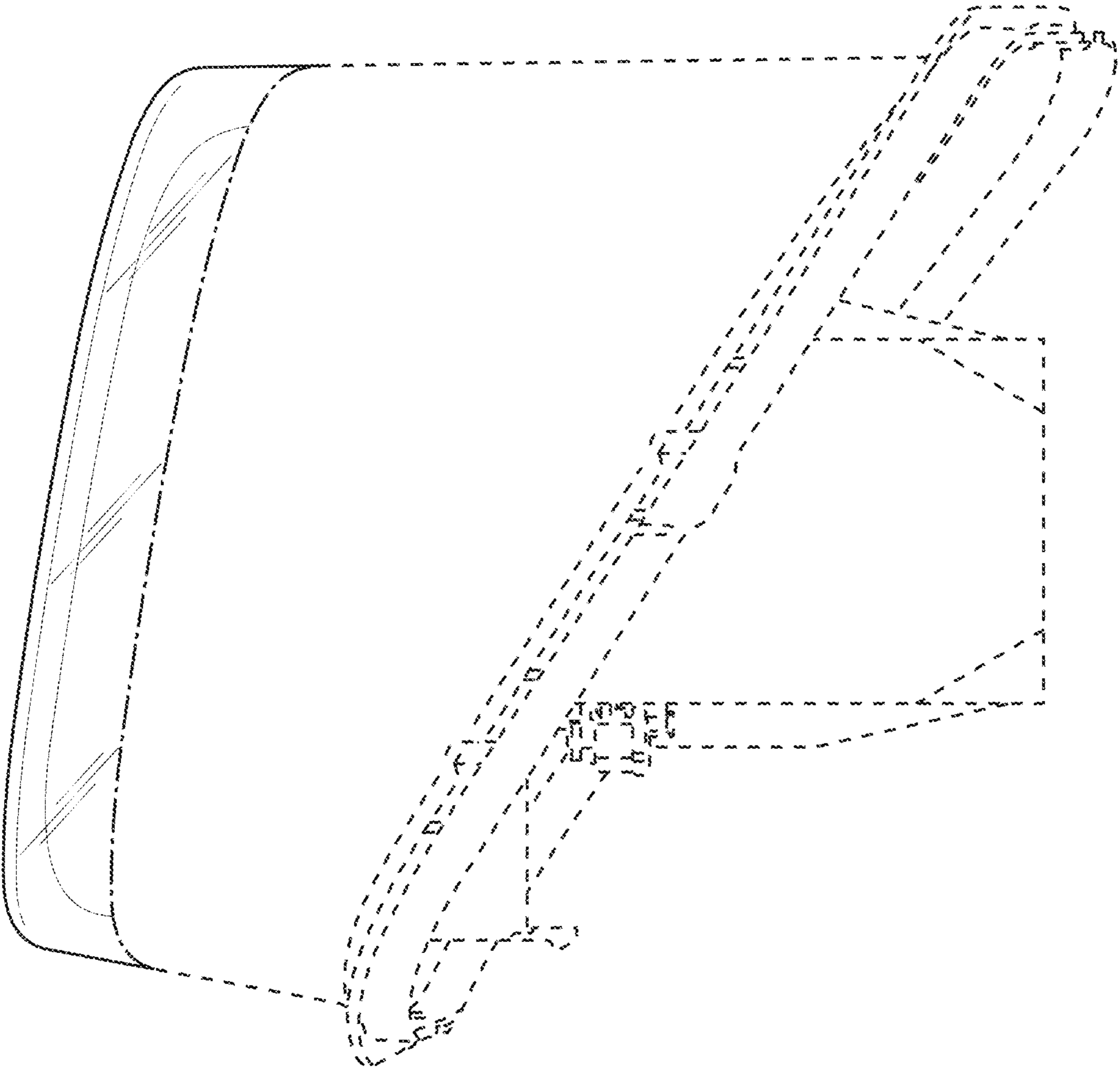


FIG. 7