



US00D959031S

(12) **United States Design Patent**
Wagner

(10) **Patent No.:** **US D959,031 S**

(45) **Date of Patent:** **** Jul. 26, 2022**

- (54) **FLOATING HINGE SECTION**
- (71) Applicant: **Nevin Wagner**, Manheim, PA (US)
- (72) Inventor: **Nevin Wagner**, Manheim, PA (US)
- (**) Term: **15 Years**
- (21) Appl. No.: **29/711,611**
- (22) Filed: **Nov. 1, 2019**
- (51) **LOC (13) Cl.** **25-99**
- (52) **U.S. Cl.**
USPC **D25/199; D8/323**
- (58) **Field of Classification Search**
USPC D25/35, 48.1, 48.3, 55, 60, 119–125,
D25/164, 199; D8/323, 325, 377
CPC E05D 1/00; E05D 1/02; E05D 1/06; E05D
5/0215; E05D 5/0223; E05D 7/00; E05D
7/009
See application file for complete search history.

- D402,062 S * 12/1998 Leonelli D25/119
- D427,325 S * 6/2000 Ginzel D25/119
- D486,921 S * 2/2004 Zyburd D25/119
- D523,565 S * 6/2006 Antonie D25/119
- D620,611 S * 7/2010 Selles D25/60
- D681,438 S * 5/2013 Chen D8/394
- D700,717 S * 3/2014 Campacci D25/119
- D744,120 S * 11/2015 Fontijn D25/164
- D780,942 S * 3/2017 Krause E04B 1/7629
D25/119
- D780,943 S * 3/2017 Krause D25/119
- D780,944 S * 3/2017 Krause D25/119
- D781,459 S * 3/2017 Krause D25/119
- D781,460 S * 3/2017 Krause D25/119
- D782,707 S * 3/2017 Krause D25/119
- D824,046 S * 7/2018 Krause E04C 2/243
D25/119
- D859,140 S * 9/2019 Kovacs D25/119
- 2005/0055978 A1 * 3/2005 Visser E06B 1/70
52/749.1
- 2017/0152704 A1 * 6/2017 Chae E06B 7/14

* cited by examiner

Primary Examiner — Llorelys Martinez

(74) *Attorney, Agent, or Firm* — Steve O'Donnell

(56) **References Cited**

U.S. PATENT DOCUMENTS

- 1,789,923 A * 1/1931 Barringer E06B 7/232
49/476.1
- D162,842 S * 4/1951 Klein D25/119
- D162,843 S * 4/1951 Klein D25/60
- D240,707 S * 7/1976 Rudinski D8/377
- D243,676 S * 3/1977 Dallaire D25/119
- D260,075 S * 8/1981 Baker, Sr. D25/119
- D299,962 S * 2/1989 Hardy D25/119
- D304,085 S * 10/1989 Hockney D25/119
- D315,414 S * 3/1991 Westphal D25/119
- D319,886 S * 9/1991 Simpson D25/119
- D324,705 S * 3/1992 Dallaire D25/119
- D343,005 S * 1/1994 Moss D25/119
- D354,733 S * 1/1995 Ingraham D25/119
- D361,402 S * 8/1995 Herst D25/119
- D379,524 S * 5/1997 Leonelli D25/119
- D384,169 S * 9/1997 Leonelli D25/119
- D398,708 S * 9/1998 Opielski D25/119

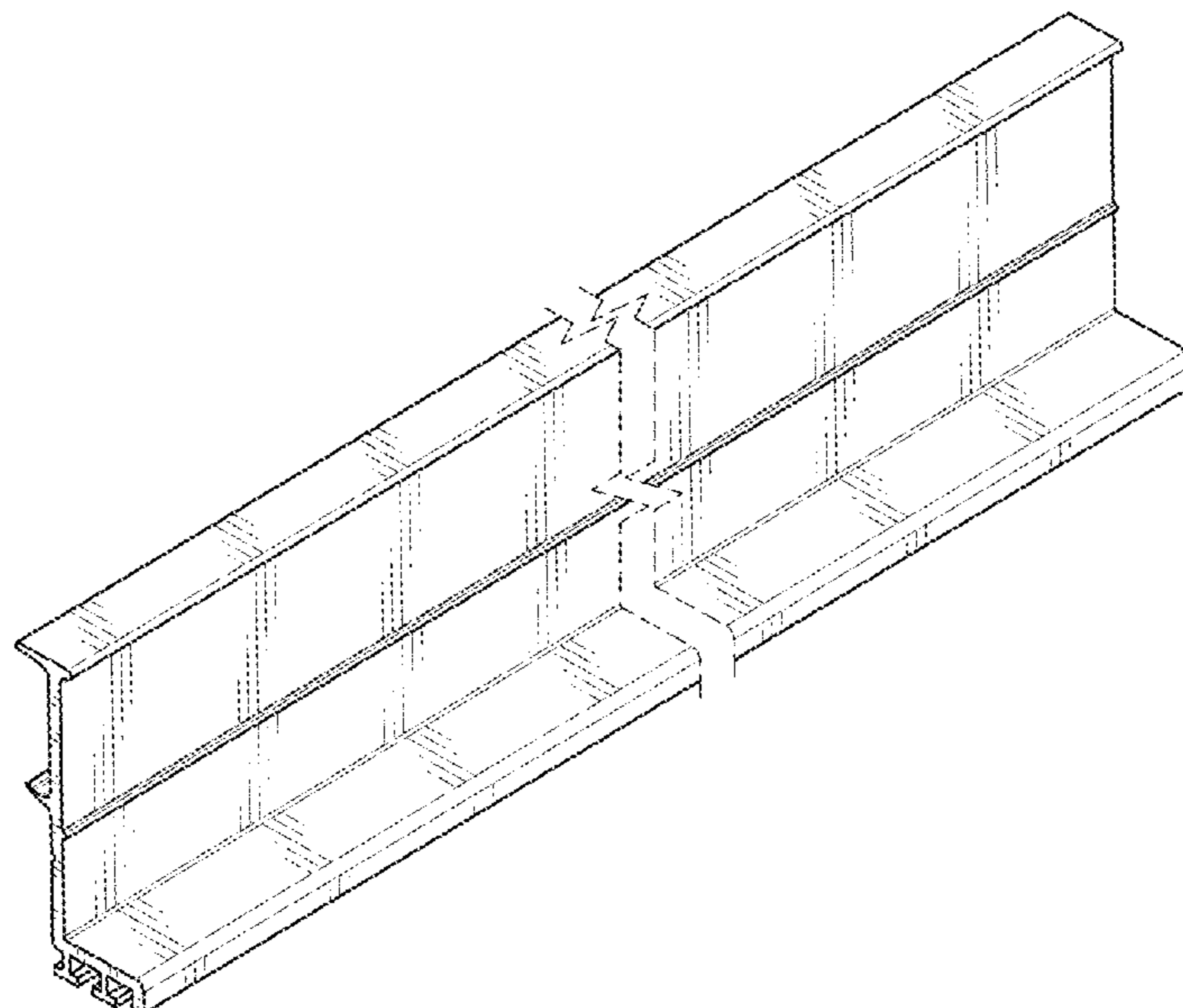
(57) **CLAIM**

The ornamental design for a floating hinge section, as shown and described.

DESCRIPTION

FIG. 1 is a top perspective view of a floating hinge section showing my design;
 FIG. 2 is a bottom perspective view thereof;
 FIG. 3 is left side view thereof;
 FIG. 4 is a right side view thereof;
 FIG. 5 is a front view thereof;
 FIG. 6 is a back view thereof;
 FIG. 7 is a top view thereof; and,
 FIG. 8 is a bottom view thereof.

1 Claim, 8 Drawing Sheets



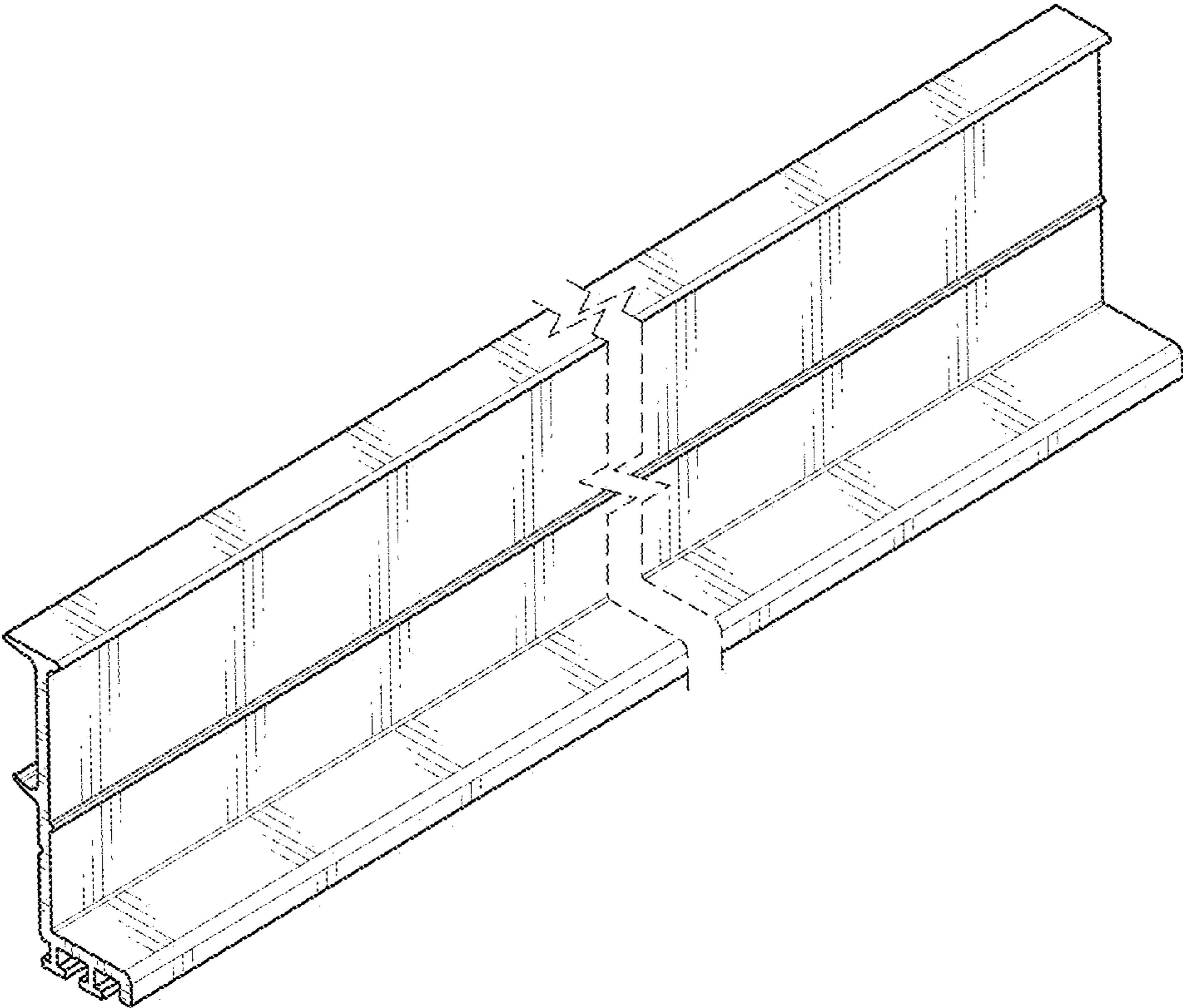


FIG. 1

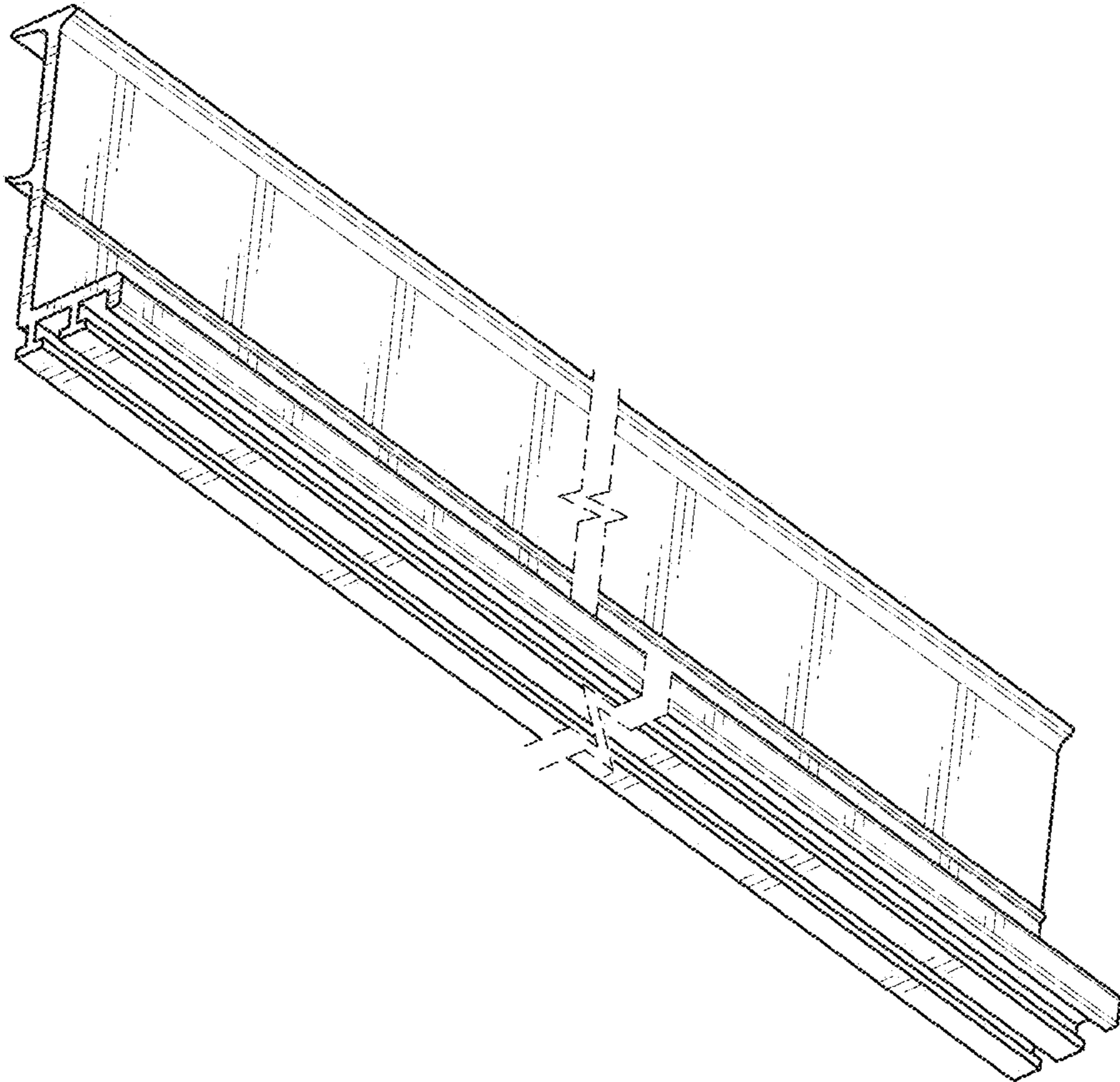


FIG. 2

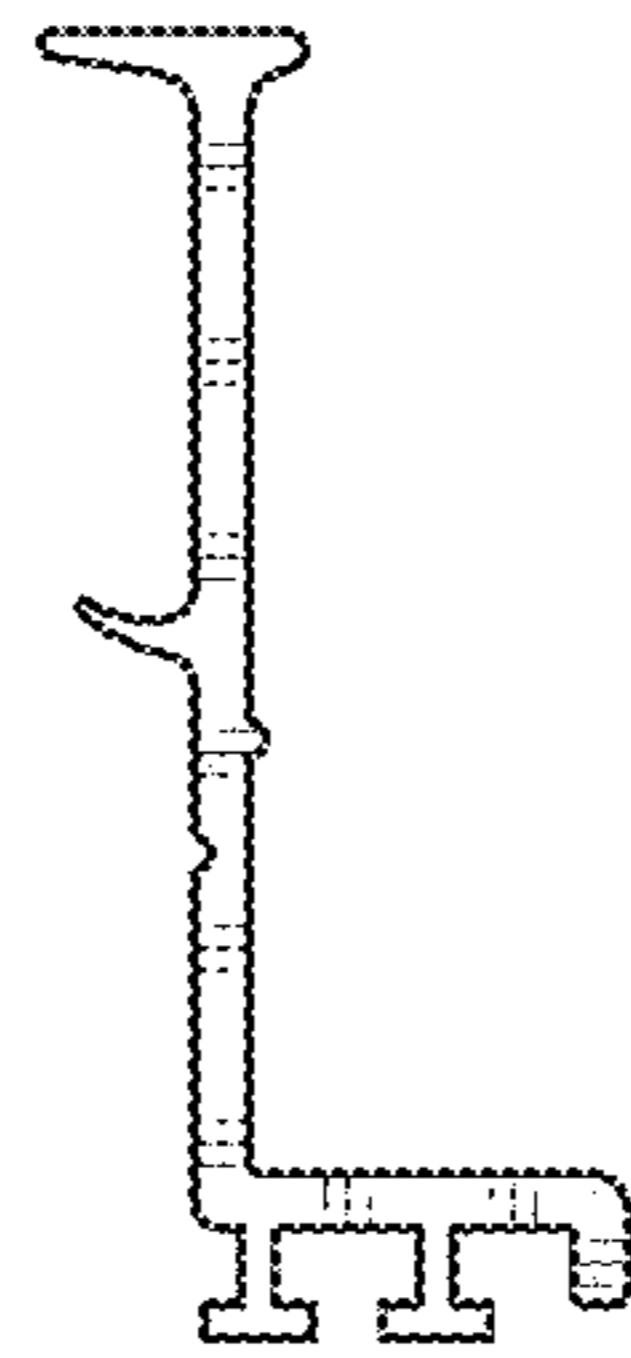


FIG. 3

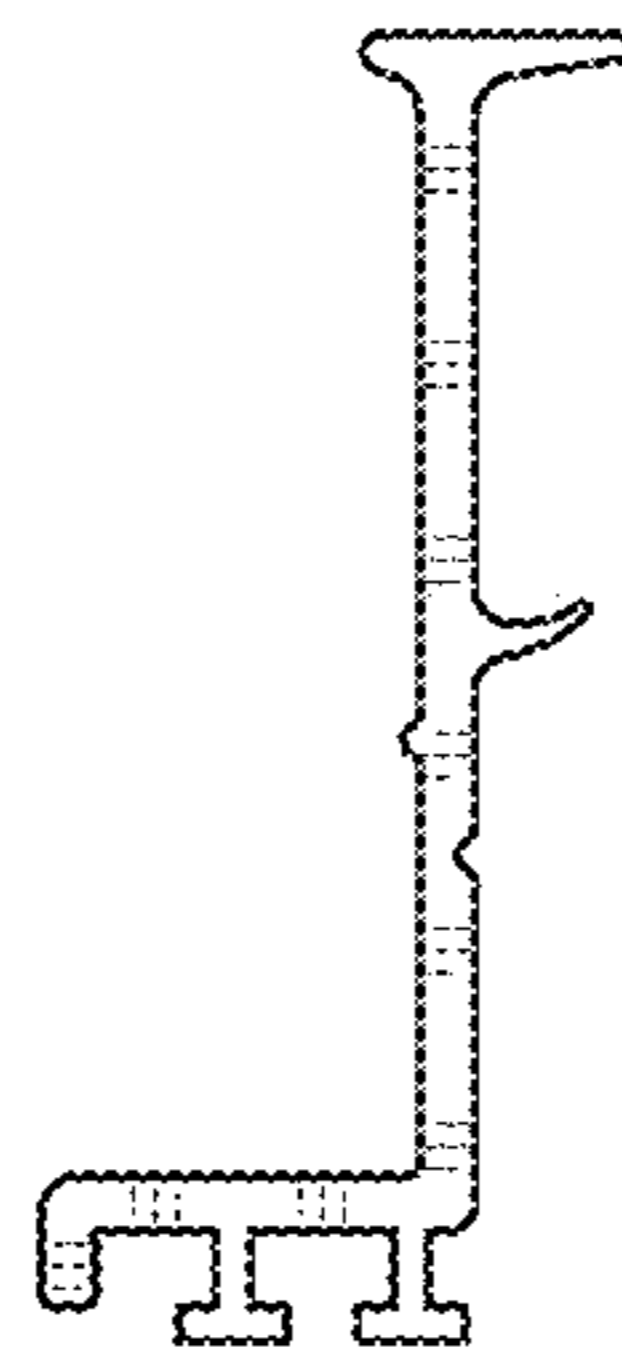


FIG. 4

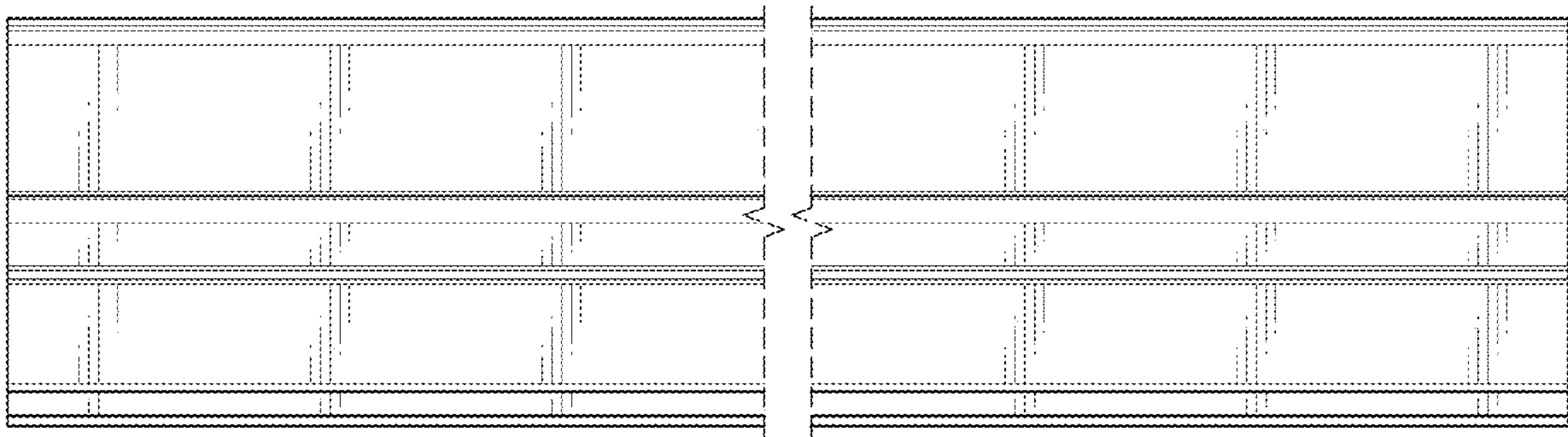


FIG. 5

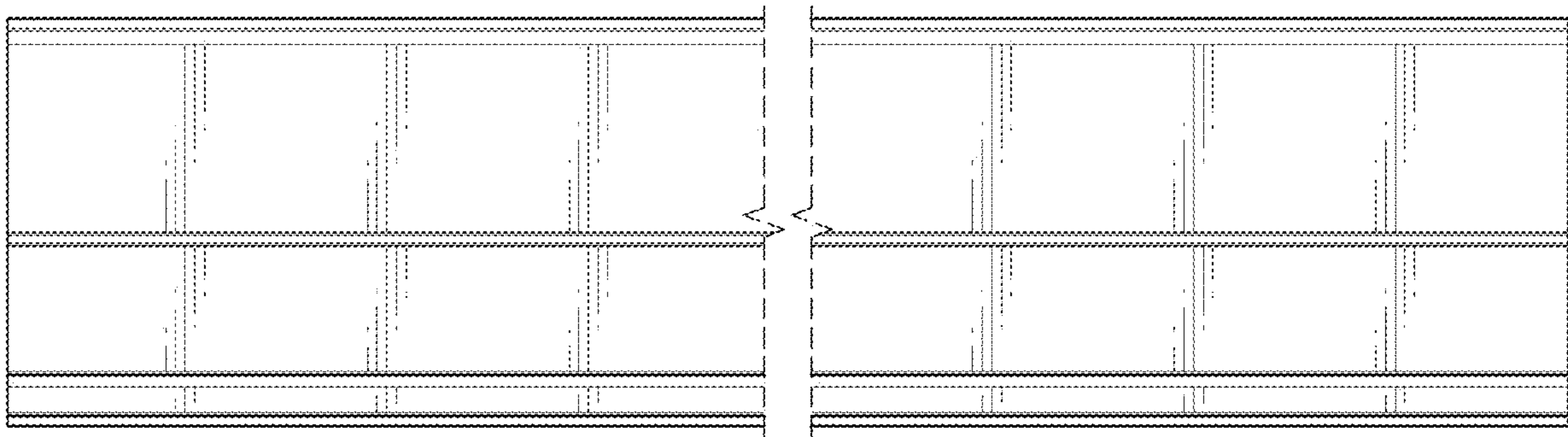


FIG. 6

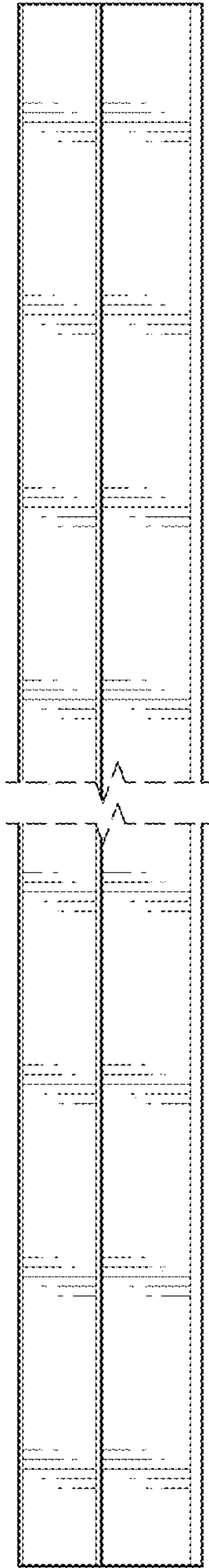


FIG. 7

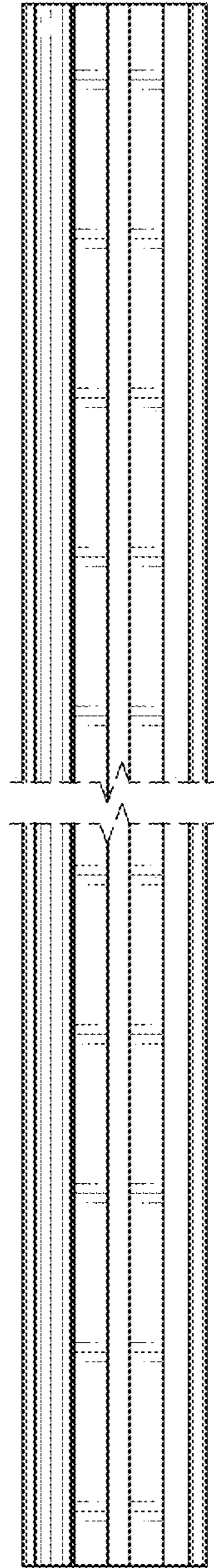


FIG. 8