



US00D959030S

(12) **United States Design Patent**
Patterson et al.

(10) **Patent No.:** **US D959,030 S**

(45) **Date of Patent:** **** Jul. 26, 2022**

(54) **BAFFLE WITH SLIT END**

(71) Applicant: **3FORM, LLC**, Salt Lake City, UT (US)

(72) Inventors: **Caleb Patterson**, Seattle, WA (US);
Guillaume Martin, Rochetoirin (FR)

(73) Assignee: **3FORM, LLC**, Salt Lake City, UT (US)

(**) Term: **15 Years**

(21) Appl. No.: **29/660,963**

(22) Filed: **Aug. 23, 2018**

Related U.S. Application Data

(63) Continuation-in-part of application No. 15/902,731, filed on Feb. 22, 2018, now Pat. No. 10,889,987, (Continued)

(51) **LOC (13) Cl.** **25-01**

(52) **U.S. Cl.**
USPC **D25/138; D26/72**

(58) **Field of Classification Search**
USPC D26/24, 42, 72, 74-79, 88-91, 113, 118, D26/152; D25/138, 163, 164, 108, 109, D25/112, 113, 114, 115, 118 (Continued)

(56) **References Cited**

U.S. PATENT DOCUMENTS

D97,213 S 11/1869 Stone
D101,033 S 3/1870 Glatthar et al.
(Continued)

FOREIGN PATENT DOCUMENTS

DE 2349401 4/1975
DE 102008026504 12/2009
(Continued)

OTHER PUBLICATIONS

ABL3-LED Mobern Lighting (on-line), dated Sep. 30, 2020. Retrieved from Internet Dec. 9, 2020, URL: <https://web.archive.org/web/20200930005620/https://www.mobern.com/products/abl3-led> (2 pages) (Year: 2020).*

(Continued)

Primary Examiner — Kimberly Barnes

(74) *Attorney, Agent, or Firm* — Workman Nydegger

(57) **CLAIM**

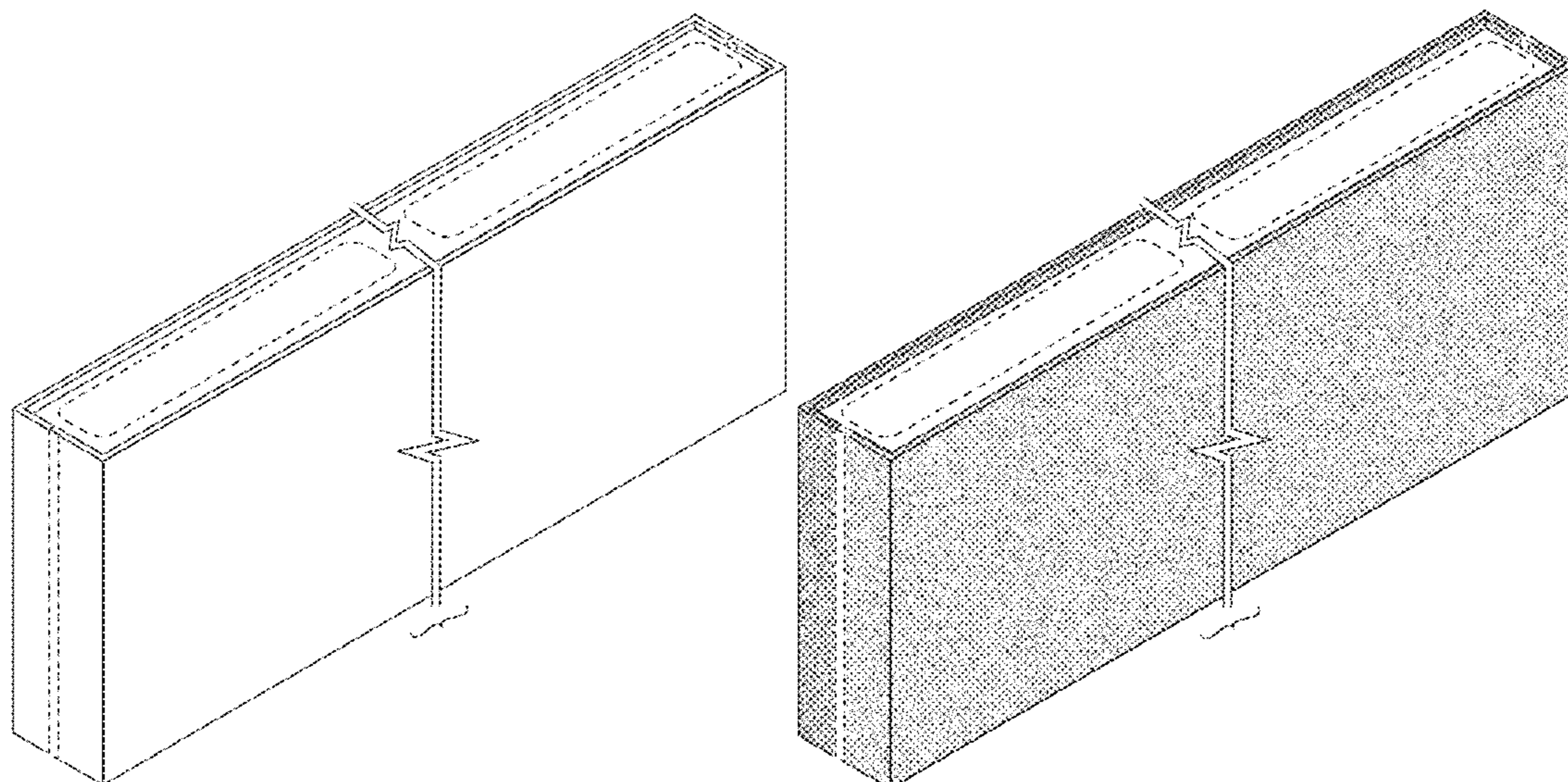
The ornamental design for a baffle with slit ends, as shown and described.

DESCRIPTION

FIG. 1 is a top front left perspective view of a baffle with slit ends showing our new design; FIG. 2 is a front elevation view thereof; FIG. 3 is a rear elevation view thereof; FIG. 4 is a left elevation view thereof; FIG. 5 is a right elevation view thereof; FIG. 6 is a top plan view thereof; FIG. 7 is a bottom plan view thereof; FIG. 8 is a top front left perspective view of an alternative embodiment of a baffle with slit ends; FIG. 9 is a front elevation view thereof; FIG. 10 is a rear elevation view thereof; FIG. 11 is a left elevation view thereof; FIG. 12 is a right elevation view thereof; FIG. 13 is a top plan view thereof; and, FIG. 14 is a bottom plan view thereof.

The baffle with slit ends is shown with a symbolic break in its length. The appearance of any portion of the article between the break lines forms no part of the claimed design. The broken lines are included for the purpose of showing environmental portions of the baffle with slit ends and form no part of the claimed design.

1 Claim, 6 Drawing Sheets



Related U.S. Application Data

which is a continuation-in-part of application No. 14/646,232, filed as application No. PCT/US2013/070236 on Nov. 15, 2013, now Pat. No. 9,644,820, application No. 29/660,963, which is a continuation-in-part of application No. 14/767,890, filed as application No. PCT/US2015/033014 on May 28, 2015, now abandoned, which is a continuation-in-part of application No. 14/912,396, filed as application No. PCT/US2014/065816 on Nov. 14, 2014, now Pat. No. 10,072,827.

(58) **Field of Classification Search**

CPC F21S 2/00; F21S 4/20; F21S 8/00; F21S 8/02; F21S 8/031; F21S 8/06; F21S 9/00; F21S 8/061; F21S 8/063; F21V 21/005; F21V 33/00; E04B 9/001; E04B 9/26; E04B 9/363; E04B 9/30; E04B 9/34; E04B 9/36; E04B 1/84; E04B 1/86; E04B 1/8404

See application file for complete search history.

(56) **References Cited**

U.S. PATENT DOCUMENTS

D101,034 S 3/1870 Glatthar et al.
 D136,518 S 3/1873 Hofstetter
 D166,671 S 8/1875 Jernigan
 1,335,613 A 3/1920 Cuno
 1,963,218 A 6/1934 Wakefield
 D123,049 S 10/1940 Doane
 2,506,728 A * 5/1950 McGrath B23K 35/226
 220/612
 2,525,556 A 10/1950 Marchisio
 2,715,449 A 8/1955 Lemmerman et al.
 2,759,093 A 8/1956 Ferar et al.
 2,951,001 A * 8/1960 Rubenstein B44C 5/04
 428/142
 3,367,581 A 2/1968 Kizilos et al.
 3,385,963 A 5/1968 Washick
 3,420,023 A * 1/1969 Gregori E04B 2/7403
 52/309.9
 D232,257 S * 7/1974 Paulson D26/80
 D239,780 S * 5/1976 Paulson D26/102
 D264,136 S 4/1982 Castiglioni
 4,437,287 A 3/1984 Halfaker
 4,555,114 A 11/1985 Dozier
 4,716,671 A 1/1988 Gross
 4,726,781 A 2/1988 Bernhart
 4,738,066 A 4/1988 Reed
 4,799,526 A 1/1989 Reeves
 5,226,724 A 7/1993 Kanarek
 D338,620 S 8/1993 Brozowski
 5,282,600 A 2/1994 Weiss
 D361,398 S 8/1995 Neall, III
 5,532,073 A 7/1996 Hirata
 5,532,912 A 7/1996 Bendit
 5,658,066 A 8/1997 Hirsch
 5,662,412 A 9/1997 Glendmyer
 D387,459 S 12/1997 Cool
 5,702,180 A 12/1997 Huang
 D391,881 S 3/1998 Youseph
 D392,119 S 3/1998 Montoya
 5,758,588 A 6/1998 Orfali
 D409,869 S * 5/1999 Marusak D6/577
 5,947,786 A 9/1999 Glick
 D416,103 S 11/1999 Hashmi
 5,989,015 A 11/1999 Guerin
 6,025,549 A 2/2000 Harris
 D431,187 S 9/2000 Davis
 D432,868 S 10/2000 Tan
 D438,858 S 3/2001 del Castillo
 6,302,566 B1 10/2001 Cohon
 6,341,880 B1 1/2002 Hsu

6,367,581 B1 4/2002 Marler et al.
 D468,474 S 1/2003 Poulton
 6,530,674 B2 3/2003 Grierson
 D482,140 S * 11/2003 Hughes D25/121
 6,964,507 B2 11/2005 Mohacsi
 6,984,055 B2 1/2006 McCarthy
 D514,364 S * 2/2006 Hsu D6/580
 D523,328 S 6/2006 Ramos
 D523,771 S 6/2006 Kwan
 D525,384 S 7/2006 Waycaster
 D525,738 S 7/2006 Waycaster
 D536,468 S 2/2007 Crosby
 D541,970 S 5/2007 Blackman
 D544,006 S 6/2007 Pinchot
 D553,788 S * 10/2007 Holmes D26/93
 D559,994 S 1/2008 Nagakubo
 D566,320 S 4/2008 Kim
 D566,882 S 4/2008 Min
 D570,026 S 5/2008 Waldmann
 7,380,957 B2 6/2008 Lanczy
 7,431,489 B2 10/2008 Yeo et al.
 D584,446 S * 1/2009 Sabernig D26/88
 D584,848 S 1/2009 Menke
 7,504,159 B1 3/2009 Suare
 D591,444 S 4/2009 Beno et al.
 D592,793 S 5/2009 Chandler
 D595,887 S 7/2009 Blom
 D595,888 S 7/2009 Sabernig
 D595,891 S 7/2009 Sabernig
 D596,452 S 7/2009 Komorski
 D599,037 S 8/2009 Henriquez
 D599,945 S * 9/2009 Pfund D26/76
 D600,394 S 9/2009 Ambruster
 D603,083 S 10/2009 Trumble
 D605,333 S 12/2009 Miranda
 D613,897 S 4/2010 Thun
 D620,189 S * 7/2010 Hill D26/119
 D621,989 S 8/2010 Proner
 7,766,536 B2 8/2010 Peifer
 7,789,544 B1 9/2010 Roach et al.
 D626,278 S 10/2010 Sabernig
 D628,218 S 11/2010 Tommassini
 D629,553 S * 12/2010 Gielen D26/76
 D629,554 S 12/2010 Gielen
 D630,365 S 1/2011 Sabernig
 D632,004 S 2/2011 Waldmann
 D641,520 S 7/2011 Grajcar
 7,971,680 B2 7/2011 Morgan, III et al.
 D650,509 S 12/2011 Wegger
 D653,794 S 2/2012 Friedman
 D654,703 S 2/2012 Lemay
 D656,629 S * 3/2012 Hauberg D25/121
 D657,487 S 4/2012 Sabernig
 D664,282 S 7/2012 Santoro et al.
 D665,525 S 8/2012 Patterson
 D666,354 S 8/2012 Bracher
 D666,757 S 9/2012 Fisher et al.
 D667,986 S 9/2012 Decq
 D668,371 S 10/2012 Alpasian
 D669,759 S 10/2012 Catilleja
 8,287,146 B2 10/2012 Hysky
 D671,676 S 11/2012 Komarov
 D676,587 S 2/2013 Fisher
 D676,996 S 2/2013 Gismondi
 D677,423 S * 3/2013 Reddy D26/128
 D684,294 S 6/2013 Goodson
 D684,307 S 6/2013 Teller
 D686,363 S 7/2013 Smith
 D687,589 S 8/2013 Wick
 8,517,845 B2 8/2013 Shin
 D689,647 S 9/2013 Brott et al.
 D692,391 S 10/2013 Kim
 D693,045 S 11/2013 Kirshhoffer et al.
 8,613,526 B1 * 12/2013 Li A01K 63/06
 362/230
 D697,662 S 1/2014 Patterson
 D698,983 S 2/2014 Rampolla
 D700,732 S 3/2014 Clark
 D702,390 S 4/2014 Clark

(56)

References Cited

U.S. PATENT DOCUMENTS

D702,391 S	4/2014	Clark	9,995,466 B2	6/2018	SanFacon et al.
8,714,775 B2	5/2014	Bracher	10,024,522 B2	7/2018	Clark et al.
D708,391 S	7/2014	Coury	10,030,850 B2	7/2018	Vissenberg et al.
D709,235 S	7/2014	Chu	D825,811 S	8/2018	Clark
RE45,162 E	9/2014	Hierzer	D826,450 S	8/2018	Clark
D716,486 S	10/2014	Martin	D827,908 S	9/2018	Silver et al.
8,888,314 B2 *	11/2014	Gill F21S 4/28	D828,612 S	9/2018	Silver et al.
		362/218	D835,333 S	12/2018	Silver
8,953,926 B1	2/2015	Kelly	D836,238 S	12/2018	Ericson, Jr. et al.
8,967,823 B2	3/2015	D'Antonio	10,151,454 B2	12/2018	Farrell et al.
D727,550 S	4/2015	Clark	D847,395 S *	4/2019	Tremaine D26/76
D727,551 S	4/2015	Clark et al.	10,274,664 B2	4/2019	Wang et al.
D727,554 S	4/2015	Clark	D848,047 S	5/2019	Santoro et al.
D728,145 S	4/2015	Shiqiang	10,359,163 B1	7/2019	Hettwer et al.
9,004,713 B2	4/2015	Mandy et al.	D858,853 S	9/2019	Anastasiades
D729,437 S	5/2015	Hillstrom	D860,507 S	9/2019	Greenberg et al.
9,028,114 B2	5/2015	Smith	D861,960 S	10/2019	Ng et al.
9,147,390 B2	8/2015	Swinkels et al.	D880,043 S	3/2020	Guerra et al.
D740,479 S	10/2015	Beno et al.	10,598,355 B2 *	3/2020	Ross F21V 21/03
D744,132 S	11/2015	Hollingworth	D880,754 S *	4/2020	Ross D26/88
9,194,124 B2	11/2015	Johnson et al.	10,672,376 B1	6/2020	Pickens et al.
D745,206 S	12/2015	Clark	D889,732 S	7/2020	Silver
D747,539 S	1/2016	Santoro et al.	10,718,476 B2 *	7/2020	Santos F21V 3/00
D751,237 S	3/2016	Ferrier	10,725,231 B2 *	7/2020	Ross F21V 23/002
9,279,558 B2	3/2016	Gnasienco	D896,429 S	9/2020	Velez
D760,420 S	6/2016	Tomlinson	10,782,005 B2 *	9/2020	Guerra F21V 15/015
D761,478 S	7/2016	Ng	D898,979 S	10/2020	Silver
D761,990 S	7/2016	Ng	D899,668 S *	10/2020	Ami D26/88
D761,991 S	7/2016	Clark	10,876,290 B2 *	12/2020	Patterson F21V 21/005
D761,992 S	7/2016	Ng	D915,631 S *	4/2021	Patterson D25/138
D764,095 S	8/2016	Clark	D915,632 S *	4/2021	Patterson D25/138
9,404,646 B2	8/2016	Clark et al.	D915,633 S *	4/2021	Patterson D25/138
9,406,594 B2	8/2016	Blakely et al.	D915,634 S *	4/2021	Patterson D25/138
D766,536 S	9/2016	Karatas	D916,348 S *	4/2021	Clark D26/72
9,441,807 B2	9/2016	Smith	D917,079 S *	4/2021	Patterson D25/138
D768,905 S	10/2016	Sonneman	2001/0046621 A1	11/2001	Colli
D768,906 S	10/2016	Sonneman	2002/0071281 A1	6/2002	Dickson
9,459,399 B2	10/2016	Krijn et al.	2004/0027830 A1	2/2004	Chen
D773,098 S	11/2016	Czech	2004/0226230 A1 *	11/2004	Ritzer E04F 13/0862
D773,099 S	11/2016	Sonneman			52/204.1
D774,239 S	12/2016	Pardo	2006/0146531 A1	6/2006	Reo et al.
D774,679 S	12/2016	Huyghe	2007/0058377 A1	3/2007	Zampini, II et al.
D774,682 S	12/2016	Chen	2007/0247842 A1	10/2007	Zampini et al.
D776,855 S	1/2017	Rashid	2008/0266842 A1	10/2008	Skidmore et al.
D780,364 S	2/2017	Czech et al.	2008/0314944 A1	12/2008	Tsai
D780,976 S	3/2017	Czech et al.	2009/0126139 A1	5/2009	Batti et al.
D783,197 S	4/2017	Arndt	2010/0149791 A1	7/2010	McCane et al.
9,618,171 B2	4/2017	Sepkhanov et al.	2011/0170294 A1	7/2011	Mier-Langner
D786,481 S	5/2017	Wiedemer	2012/0081919 A1	4/2012	Parker
D786,483 S	5/2017	Sonneman	2013/0016847 A1	1/2013	Steiner
9,644,820 B2	5/2017	Clark	2013/0094225 A1	4/2013	Leichner
D790,103 S	6/2017	Czech et al.	2013/0148357 A1	6/2013	Johnson et al.
9,683,721 B2	6/2017	Clark et al.	2014/0009927 A1	1/2014	Gnasienco
D791,385 S	7/2017	Sonneman	2014/0022759 A1	1/2014	Li
D791,401 S	7/2017	Sonneman	2014/0024249 A1	1/2014	Adams et al.
D792,006 S	7/2017	Sonneman	2014/0063803 A1	3/2014	Yaphe
D792,632 S	7/2017	Amato	2014/0133150 A1	5/2014	Pardikes et al.
D792,633 S	7/2017	Sonneman	2014/0153257 A1	6/2014	Smith
D794,241 S	8/2017	Huyghe	2014/0198494 A1	7/2014	Lextar
D797,977 S	9/2017	Farzan	2014/0334178 A1	11/2014	Zharov
D797,982 S	9/2017	Sonneman	2015/0226384 A1	8/2015	Park
D799,097 S	10/2017	Sonneman	2015/0300605 A1	10/2015	Clark
D800,368 S	10/2017	Czech et al.	2015/0300610 A1	10/2015	DeCarr et al.
9,792,891 B2	10/2017	Swinkels et al.	2016/0061429 A1	3/2016	Waalkes
D802,819 S	11/2017	Czech et al.	2016/0245488 A1	8/2016	Clark
9,822,938 B2	11/2017	De Gier	2016/0281940 A1	9/2016	Kim
9,851,094 B2	12/2017	Gommans et al.	2017/0138561 A1	5/2017	Van Strander
D806,927 S	1/2018	Rashid	2017/0159928 A1	6/2017	Gommans et al.
D806,929 S	1/2018	Clark	2017/0268752 A1	9/2017	Horvath et al.
D810,993 S	2/2018	Genovese	2017/0370098 A1	12/2017	Honji et al.
9,897,291 B2	2/2018	Clark	2018/0127975 A1	5/2018	Gillette et al.
9,920,525 B1	3/2018	Underkoffler et al.	2018/0180233 A1	6/2018	Mellor
D817,537 S	5/2018	Clark	2018/0226003 A1	8/2018	Szekely
9,964,692 B2	5/2018	SanFacon et al.	2018/0245334 A1	8/2018	Udagawa et al.
D819,860 S	6/2018	Clark	2018/0266668 A1	9/2018	Myers et al.
			2018/0267228 A1	9/2018	Epstein et al.
			2018/0334804 A1	11/2018	Patterson
			2018/0336875 A1	11/2018	Patterson et al.
			2019/0017260 A1	1/2019	Bou Harb et al.

(56)

References Cited

U.S. PATENT DOCUMENTS

2019/0035376	A1	1/2019	Pilaar	
2019/0041570	A1	2/2019	Yeo et al.	
2019/0088241	A1	3/2019	Czech et al.	
2019/0096954	A1	3/2019	Cromptvoets et al.	
2019/0106883	A1	4/2019	Moore et al.	
2019/0162369	A1	5/2019	Sonneman et al.	
2019/0186132	A1*	6/2019	Knoblauch E04B 9/366
2019/0234595	A1	8/2019	Beland et al.	
2019/0309937	A1	10/2019	Chen et al.	
2020/0053967	A1	2/2020	Murphy	

FOREIGN PATENT DOCUMENTS

DE	202009013052	3/2011
DE	102012110575	5/2014
EP	2375151	10/2011
EP	2813630	5/2013
EP	2864559	12/2013
EP	2990559	3/2016
GB	2556679	6/2018
JP	2003217332	7/2003
JP	2011159472	8/2011
KR	2020100007653	7/2010
KR	2020120007760	11/2012
KR	101454180	10/2014
WO	2013006790	1/2013
WO	2013058961	4/2013
WO	2013/190447	A2 12/2013
WO	2014/073907	A1 5/2014
WO	2014081621	5/2014
WO	2014/184156	A1 11/2014
WO	2015073907	5/2015
WO	2015184156	12/2015

OTHER PUBLICATIONS

Acoustic Baffle and Lighting System—Arktura SoundBar (on-line), dated Aug. 8, 2020. Retrieved from Internet Dec. 9, 2020, URL: <https://web.archive.org/web/20200808002745/https://arktura.com/product/soundbar/> (1 page) (Year: 2020).*

Blade Silent Light—Architecture Today (on-line), no date available. Retrieved from Internet Dec. 9, 2020, URL: <https://architecturetoday.co.uk/blade-silent-light/> (5 pages).*

LS1—STFU Series (on-line), dated Jun. 20, 2019. Retrieved from Internet Dec. 7, 2020, URL: <https://web.archive.org/web/20190620155204/https://coronetled.com/ls1-stfu/> (2 pages) (Year: 2019).*

Product Monday—Seem 1 Acoustic by Focal Point-LightNOW (on-line), dated May 20, 2019. Retrieved from Internet Dec. 9, 2020, URL: <https://www.lightnowblog.com/2019/05/product-monday-seem-1-acoustic-by-focal-point/> (2 pages) (Year: 2019).*

Final Office Action for U.S. Appl. No. 15/719,070 dated Feb. 3, 2020.

Office Action dated Aug. 23, 2019 from U.S. Appl. No. 15/719,070, filed Sep. 28, 2017.

Tin eye reference (available online Oct. 8, 2014) Retrieved from the internet Mar. 23, 2017, retrieved from the internet URL: <https://tineye.com/search/cb9bd08581564e1b2247fa8b78f73b92f57cc422/> Reference internet site URL: <https://www.architonic.com/en/product/henge-light-ring-medium/1149533>.

Ring shade 32 LED Pendant (available online Mar. 28, 2015) Retrieved from the internet Apr. 8, 2017, retrieved from the internet URL: <https://web-beta.archive.org/web/20150328234600/http://www.sonnemanawayofflight.com/ringshade32ledpendant-p-922.html>.

Light In The Box (available online Dec. 30, 2014) Retrieved from the internet Mar. 16, 2017, retrieved from the internet URL: https://www.amazon.com/LightInTheBox-RingHome-Chandeliers-Lighting-110-120V/dp/B00RL1N79W/ref=pd_bxgy_60_img_3?_encoding=UTF8&pd_rd_i=B00RL1N79W&pd_rd_r=0K15VB464BCF6J7RV59C&pd_rd_w=3rhz3&pd_rd_wg=r7lJv&psc=1&refRID=0K15VB4.

Office Action in U.S. Appl. No. 14/767,890 dated May 12, 2017.

Office Action in U.S. Appl. No. 14/646,232 dated Dec. 15, 2016.

Ex Parte Quayle Action for U.S. Appl. No. 29/481,765 mailed on May 9, 2016.

Ex Parte Quayle Action for U.S. Appl. No. 29/545,539 mailed on May 23, 2016.

Office Action for U.S. Appl. No. 29/481,765 dated Oct. 16, 2015.

Requirement for Restriction for U.S. Appl. No. 29/530,073 dated May 30, 2017.

Office Action for U.S. Appl. No. 14/646,232 dated May 2, 2016.

Office Action for U.S. Appl. No. 29/560,681 dated Jun. 15, 2017.

Modern Square LED Chandelier Lighting (available online Sep. 22, 2015) Retrieved from the internet Jun. 2, 2017, retrieved from the internet URL: https://www.amazon.com/VONN-VMC31620AL-Chandelier-Lighting-Adjustable/dp/B015OG45GE/ref=sr_1_2?ie=UTF8&qid=1498172914&sr=8-2&keywords=Modern+Square+LED+Chandelier+Lighting.

Modern Two-Tier LED Chandelier (available online Sep. 22, 2015) Retrieved from the internet Jun. 2, 2017, retrieved from the internet URL: https://www.amazon.com/VONN-VMC31710SW-Two-Tier-Chandelier-Adjustable/dp/B01S0G4J8S/ref=pd_sbs_60_2?_encoding=UTF8&pd_rd_i=B01S0G4J8S&pd_rd_r=9GZ57EM9VFSJZMQW1ERC&pd_rd_w=XsCRS&pd_rd_wg=VbWDy&psc=1&refRID=9GZ57EM9VFSJZ.

Astro D-Light wall Light (available online) Retrieved from the internet Jun. 2, 2017, retrieved from the internet URL: <https://www.lovelights.co.uk/led-lighting-c17/astro-d-light-led-wall-light-p22295>.

Notice of Allowance for U.S. Appl. No. 15/076,852 dated Oct. 11, 2017.

Non-Final Office Action for U.S. Appl. No. 29/530,073 dated Sep. 1, 2017.

Notice of Allowance for U.S. Appl. No. 29/560,673 dated Nov. 13, 2017.

Non-Final Office Action for U.S. Appl. No. 14/912,396 dated Dec. 29, 2017.

Final Office Action for U.S. Appl. No. 14/767,890 dated Dec. 29, 2017.

Non-Final Office Action for U.S. Appl. No. 29/560,686 dated Jan. 9, 2018.

The807, (Feb. 5, 2014), [online], [site visited Jan. 4, 2018]. Available from internet <URL: Retrieved from <https://www.etsy.com/uk/listing/176582577/triangle-shadow-box-set-of-3?ref=related-2>>.

Non-Final Office Action for U.S. Appl. No. 29/560,688 dated Jan. 9, 2018.

EONeyeofnature. (Jan. 5, 2015), [online], [site visited Jan. 4, 2018]. Available from internet, <URL: Retrieved from https://www.etsy.com/uk/listing/217343723/set-of-four-hexagon-honeycomb-shelves-in?show_sold_out_detail=1>.

Non-Final Office Action for U.S. Appl. No. 14/767,890 dated Jun. 4, 2018.

“Mounted Lighting LED Linear Trunking Light (available online) Retrieved from the internet Sep. 27, 2018 from URL: <https://hkenrich.en.made-in-china.com/productimage/JNrx1IEKuYha2flj00gaYGPSmBbqoC/China-3-UYears-Warranty-Ceiling-Mounted-Lighting-LED-Linear-Trunking-L>”.

“Mumu LED Linear Suspension Pendant Light (available online) Retrieved from the internet Sep. 27, 2018 from URL: <https://www.ylighting.com/mumu-led-linear-suspension-pendant-light-by-seed-design-SEDP149479.html#cgid=%0AYLLIG9%0A&&VtileIndex=14>”.

Non-Final Office Action for U.S. Appl. No. 29/647,681 dated Jun. 4, 2018.

Search Report for application No. GB1804368.7 dated Sep. 17, 2018.

Acoshape+ Modell Barcode Acoustic Submitted to U.S. Appl. No. 15/973,054.

Acoshape+ Modell Barcode Down Submitted to U.S. Appl. No. 15/973,054.

(56)

References Cited

OTHER PUBLICATIONS

Acoshape+ Modell Barcode Down/Up Submitted to U.S. Appl. No. 15/973,054.

Acoshape+ Modell Morse 3 Submitted to U.S. Appl. No. 15/973,054.

Acoshape+ Modell Morse 4 Submitted to U.S. Appl. No. 15/973,054.

Modell Slab 150 Submitted to U.S. Appl. No. 15/973,054.

Ringo Star Acoustic-P6/G6 Submitted to U.S. Appl. No. 15/973,054.

Spectral Blade Light and Acoustic Baffles Submitted to U.S. Appl. No. 15/973,054.

Non-Final Office Action for U.S. Appl. No. 16/577,636 dated Feb. 21, 2020.

Notice of Allowance for U.S. Appl. No. 15/902,731 dated Feb. 26, 2020.

Notice of Allowance received for U.S. Appl. No. 16/577,636, dated Oct. 9, 2020, 2 pages.

Non-Final Office Action for U.S. Appl. No. 15/902,731 dated Jul. 29, 2019.

Architonic_light_ring_Tin_Eye_search_result_Oct_28th_2014 (available online Oct. 28, 2014) Retrieved from the internet Aug. 11, 2020 from URL: <https://tineye.com/search/8ef4cda898fab73fd1d06a6d7262af01589cc18b?sort=score&order=desc&page=1>.

Artemide Edge 30 (registered) Pendant Light (available Apr. 24, 2015) Retrieved Oct. 29, 2019 from URL: <https://web.archive.org/web/20150424054229/https://www.stardust.com/EDGE30.html>.

Corrected Notice of Allowability from U.S. Appl. No. 29/560,686 dated Jul. 11, 2018.

Cube LED Lamp (available Sep. 19, 2011) Retrieved Oct. 29, 2019 from URL: <https://www.amazon.com/SMART-GREEN-814495012024-Cube-Lamp/dp/B00500PG10>.

Final Office Action for U.S. Appl. No. 29/647,681 dated Apr. 2, 2019.

Final Office Action from U.S. Appl. No. 14/767,890 dated May 17, 2019.

Foyer Pendant (available online Mar. 2, 2015) Retrieved from the internet Aug. 17, 2020 from URL: <https://www.fergusonshowrooms.com/product/et2-EE22405-bronze-870257?tb=>.

Highly Effective Acoustic Baffles (available online) Retrieved from the internet Aug. 3, 2020 from URL: www.soundsorba.com/acoustic-products/sound-absorption/bafflesorba/.

Light_Ring_Medium_designer_furniture_Architonic (available online Oct. 28, 2014) Retrieved from the internet Aug. 11, 2020 from URL: <https://www.architonic.com/en>.

Matric Ready Square 2in Suspension G3/R4 (available online) Retrieved from the internet Aug. 17, 2020 from URL: <https://www.lightformshop.com/Brands-lights/matric-ready-square-2in-suspension-g3-r4>.

Morfi Small (available online) Retrieved from the internet Aug. 14, 2020 from URL: <https://www.architonic.com/en/product/petridis-s-a-morfi-small/20103072>.

Notice of Allowance for U.S. Appl. No. 14/912,396 dated May 2, 2018.

Notice of Allowance from U.S. Appl. No. 14/646,232 dated Mar. 24, 2017.

Notice of Allowance from U.S. Appl. No. 15/076,852 dated Jan. 16, 2018.

Notice of Allowance from U.S. Appl. No. 29/481,765 dated Jun. 7, 2016.

Notice of Allowance from U.S. Appl. No. 29/545,539 dated Jul. 1, 2016.

Notice of Allowance from U.S. Appl. No. 29/560,281 dated Mar. 26, 2018.

Notice of Allowance from U.S. Appl. No. 29/560,686 dated May 22, 2018.

Notice of Allowance from U.S. Appl. No. 29/560,688 dated May 22, 2018.

Notice of Allowance received for U.S. Appl. No. 15/902,731, dated Aug. 21, 2020, 5 pages.

Notice of Allowance received for U.S. Appl. No. 15/902,731, dated Jun. 9, 2020, 7 pages.

Notice of Allowance received for U.S. Appl. No. 16/577,636, dated Aug. 21, 2020, 5 pages.

Notice of Allowance received for U.S. Appl. No. 16/577,636, dated Jul. 21, 2020, 5 pages.

Office Action in U.S. Appl. No. 29/560,688 dated Jun. 2, 2017.

Restriction Requirement for U.S. Appl. No. 16/577,636 dated Nov. 5, 2019.

Restriction Requirement from U.S. Appl. No. 15/719,070 dated May 6, 2019.

Restriction Requirement from U.S. Appl. No. 29/481,765 dated Jun. 18, 2015.

Shop.ferguson Foyer Pendant tineye reference (available online Mar. 2, 2015) Retrieved from the internet Aug. 17, 2020 from URL: https://tineye.com/search/9ae3a7322908e09d1d83fcc3df9d473b18a90f1c?sort=crawl_date&order=asc&page=1.

Supplemental Notice of Allowability for U.S. Appl. No. 14/912,396 dated Jul. 9, 2018.

Triangle Pendantjampjavailalbe online Dec. 29, 2017) Retrieved from the internet Aug. 16, 2020 from URL: https://www.archiproducts.com/en/products/hollis-morris/led-indirect-light-pendant-lamp-triangle-pendant-lamp_265978.

White Hanging Lamp (available May 15, 2014) Retrieved Oct. 29, 2019 from URL: <https://www.tineye.com/search/35381e6751046292c6cf07131bcc7d37a42e0fa7?page=1>.

Non-Final Office Action for U.S. Appl. No. 29/647,681 dated Nov. 4, 2019.

Examination Report received for GB Application No. 1704190.6, dated Jan. 27, 2021, 4 pages.

Examination Report received for GB Application No. 1715859.3, dated Feb. 15, 2021, 4 pages.

Notice of Allowance received for U.S. Appl. No. 29/660,961, dated Feb. 4, 2021, 4 pages.

Notice of Allowance received for U.S. Appl. No. 29/660,965, dated Feb. 4, 2021, 4 pages.

Notice of Allowance received for U.S. Appl. No. 29/660,967, dated Feb. 4, 2021, 4 pages.

Notice of Allowance received for U.S. Appl. No. 29/660,976, dated Feb. 4, 2021, 4 pages.

Notice of Allowance received for U.S. Appl. No. 29/660,969, dated Mar. 10, 2021, 4 pages.

Notice of Allowance received for U.S. Appl. No. 29/660,969, dated Feb. 4, 2021, 4 pages.

Notice of Allowance received for U.S. Appl. No. 29/660,969, dated Dec. 18, 2020, 7 pages.

Non-Final Office Action received for U.S. Appl. No. 29/660,969, dated Aug. 7, 2020, 7 pages.

Office Action in U.S. Appl. No. 15/076,852 dated Jun. 2, 2017.

Office Action in U.S. Appl. No. 29/560,673 dated May 10, 2017.

Light art (available online Oct. 21, 2013) Retrieved from the internet Mar. 16, 2017, retrieved from the internet URL: www.youtube.com (search "Lightart.com").

* cited by examiner

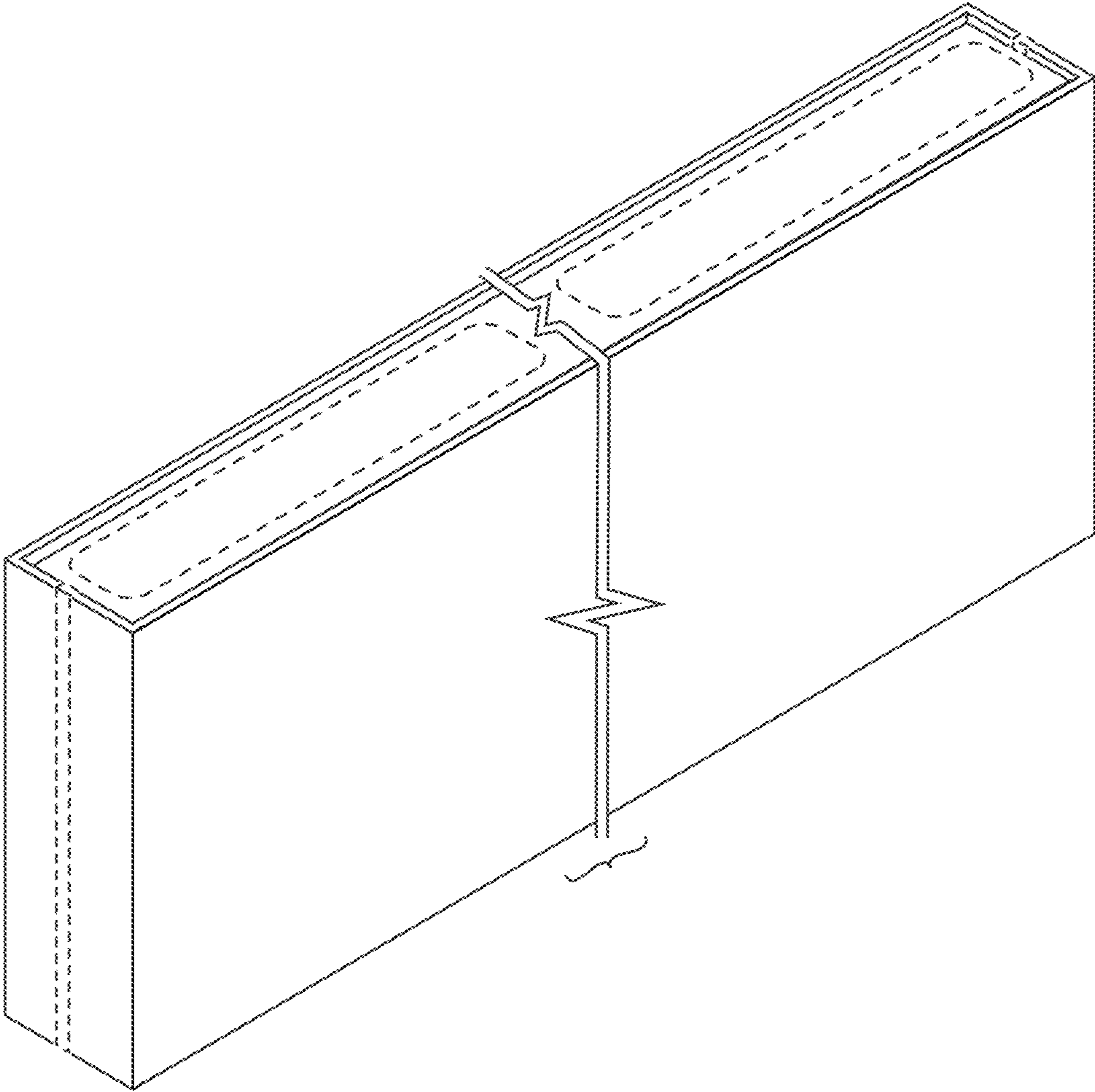


FIG. 1

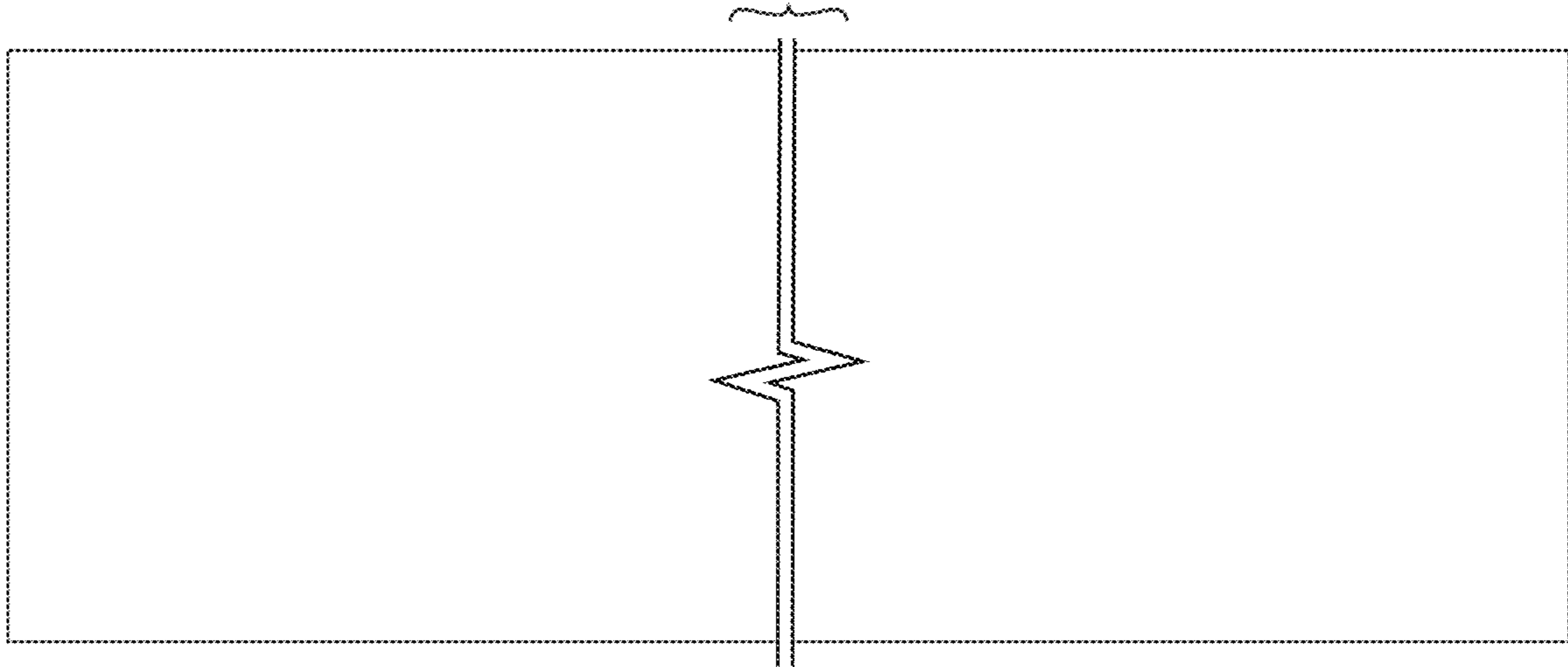


FIG. 2

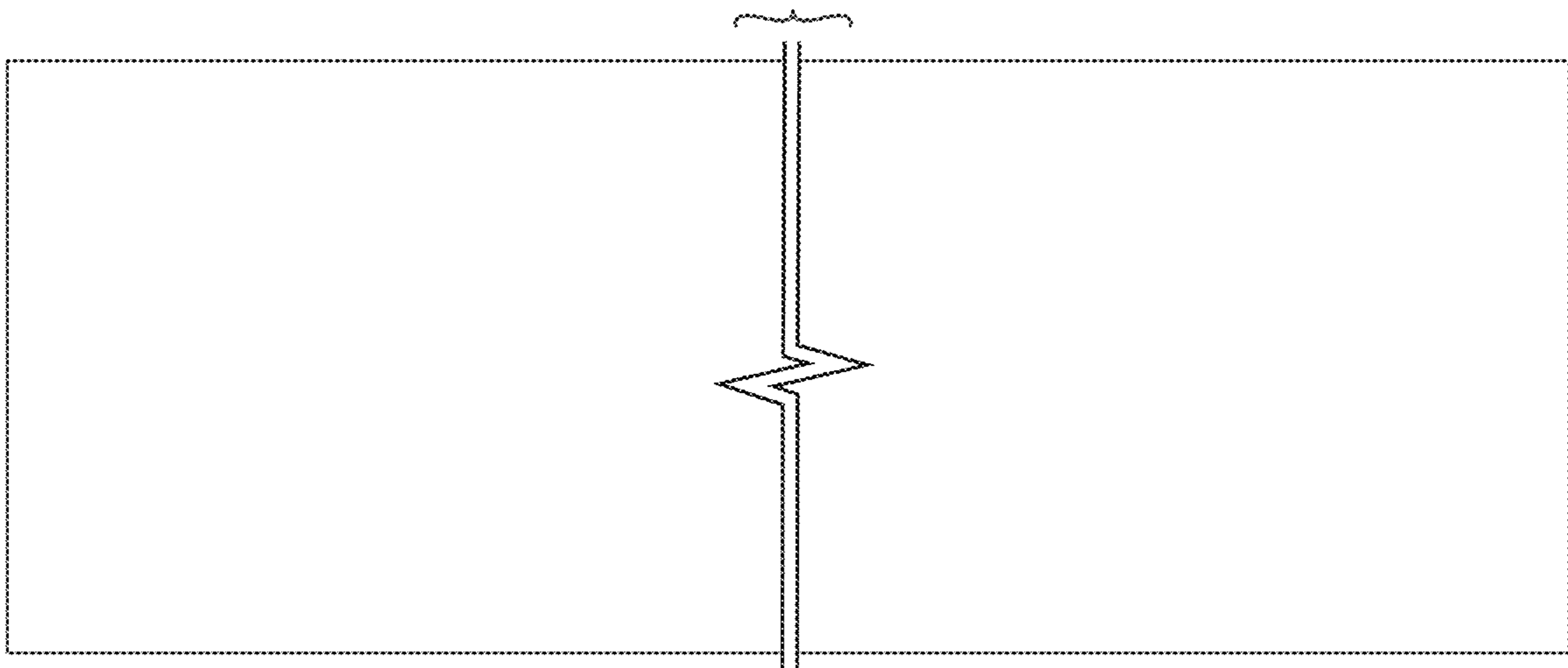


FIG. 3

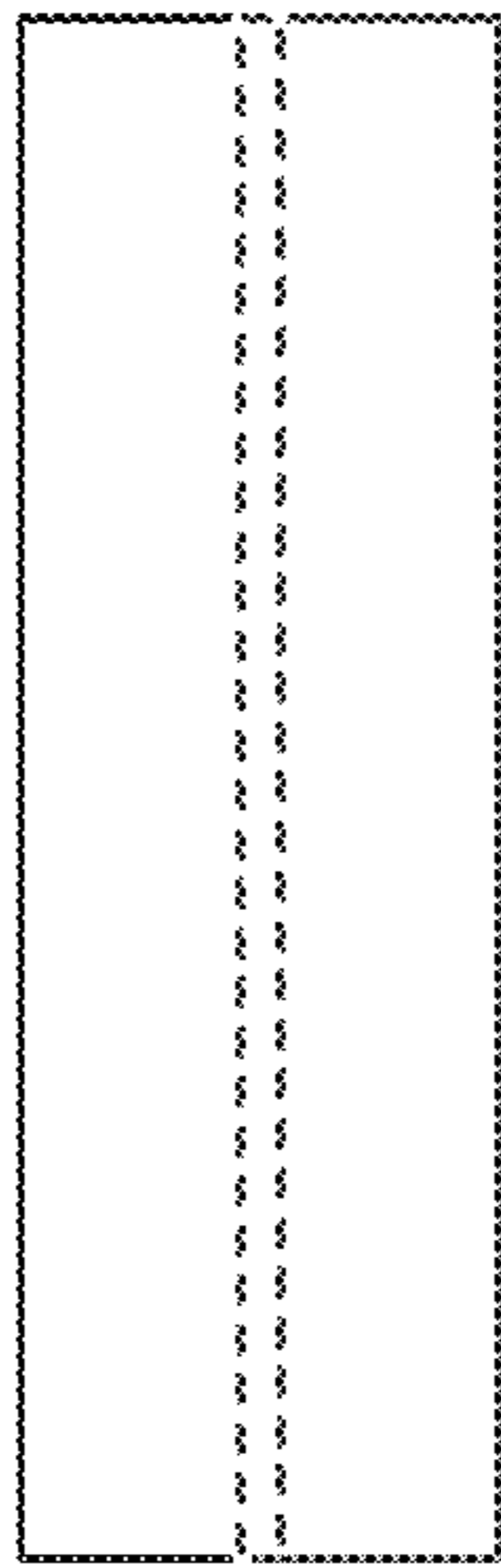


FIG. 4

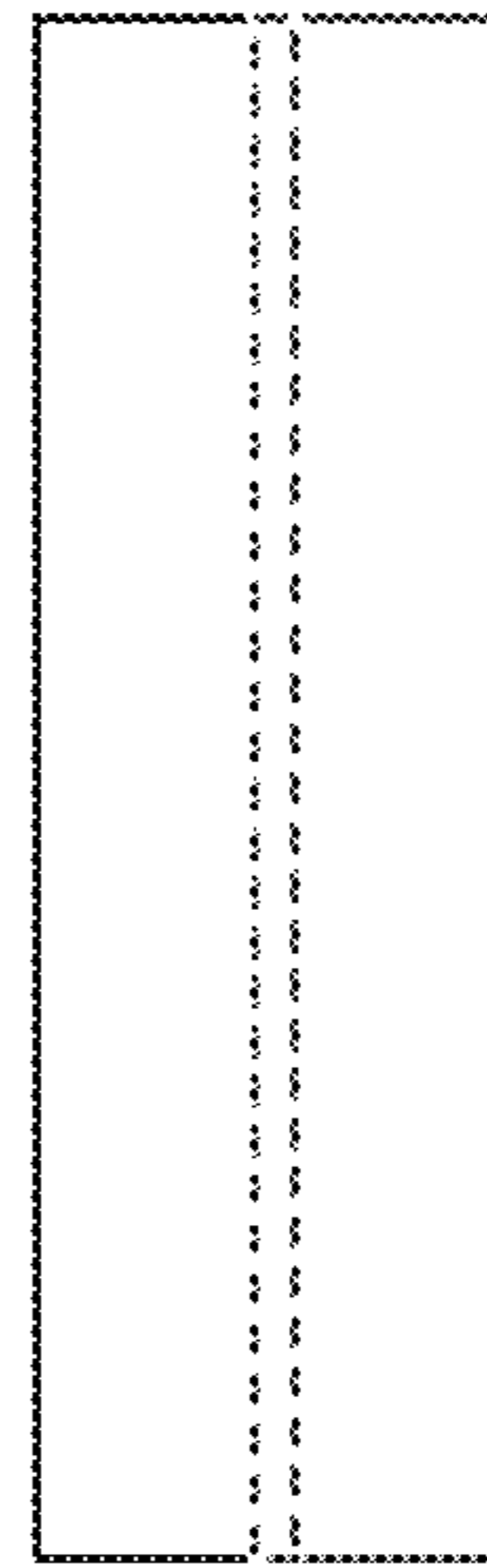


FIG. 5

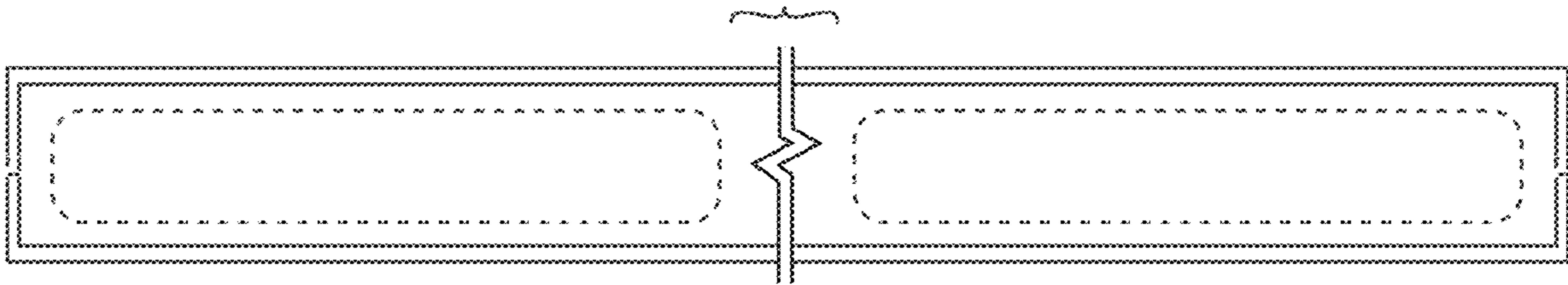


FIG. 6

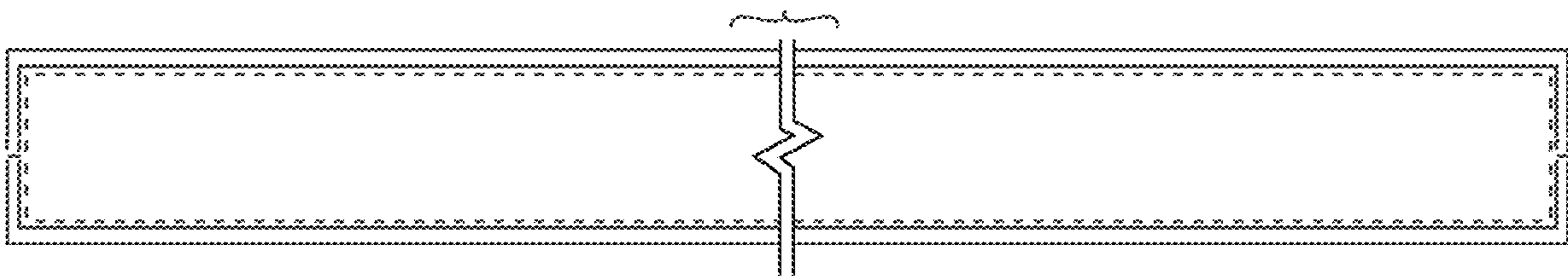


FIG. 7

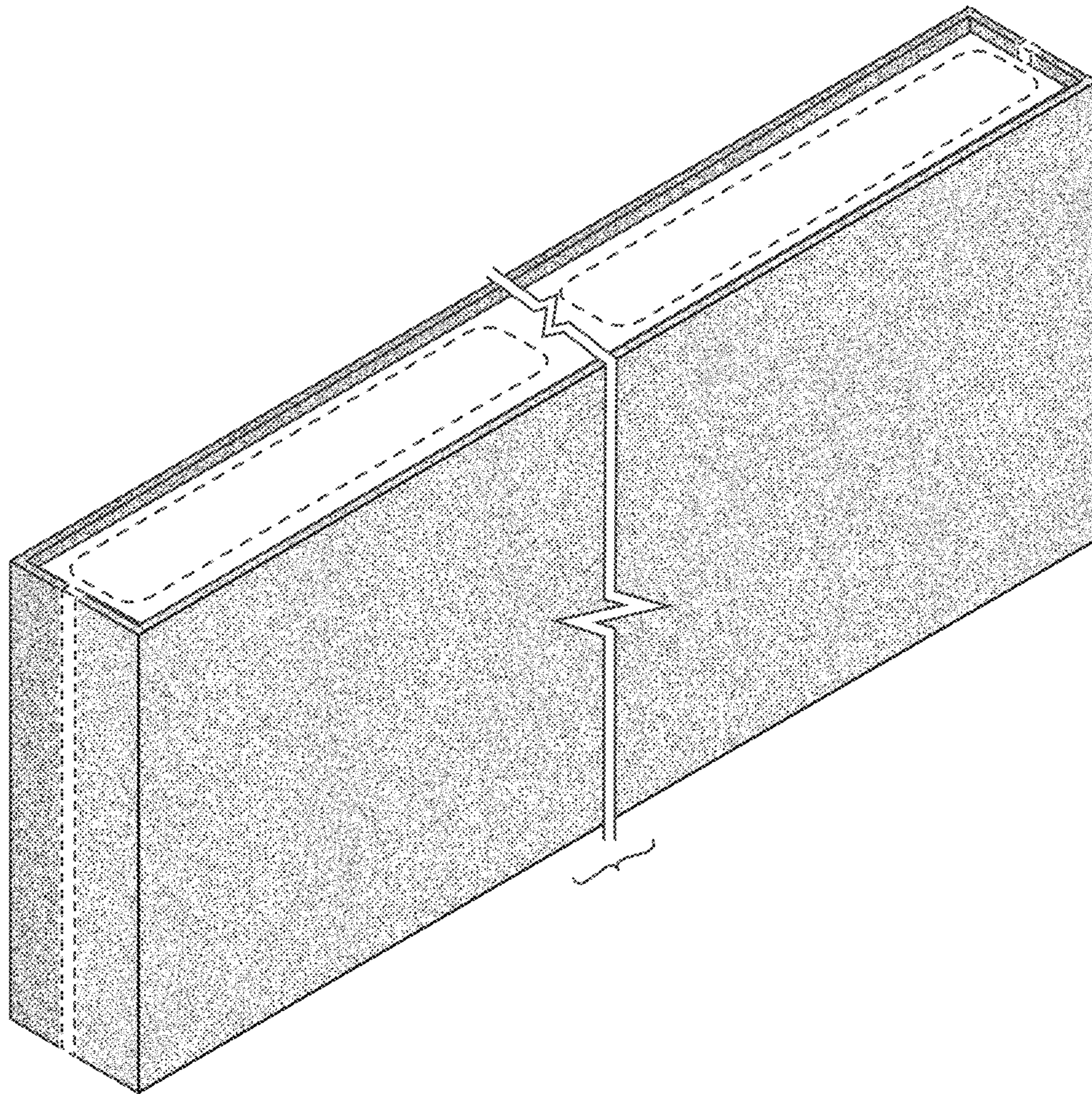


FIG. 8

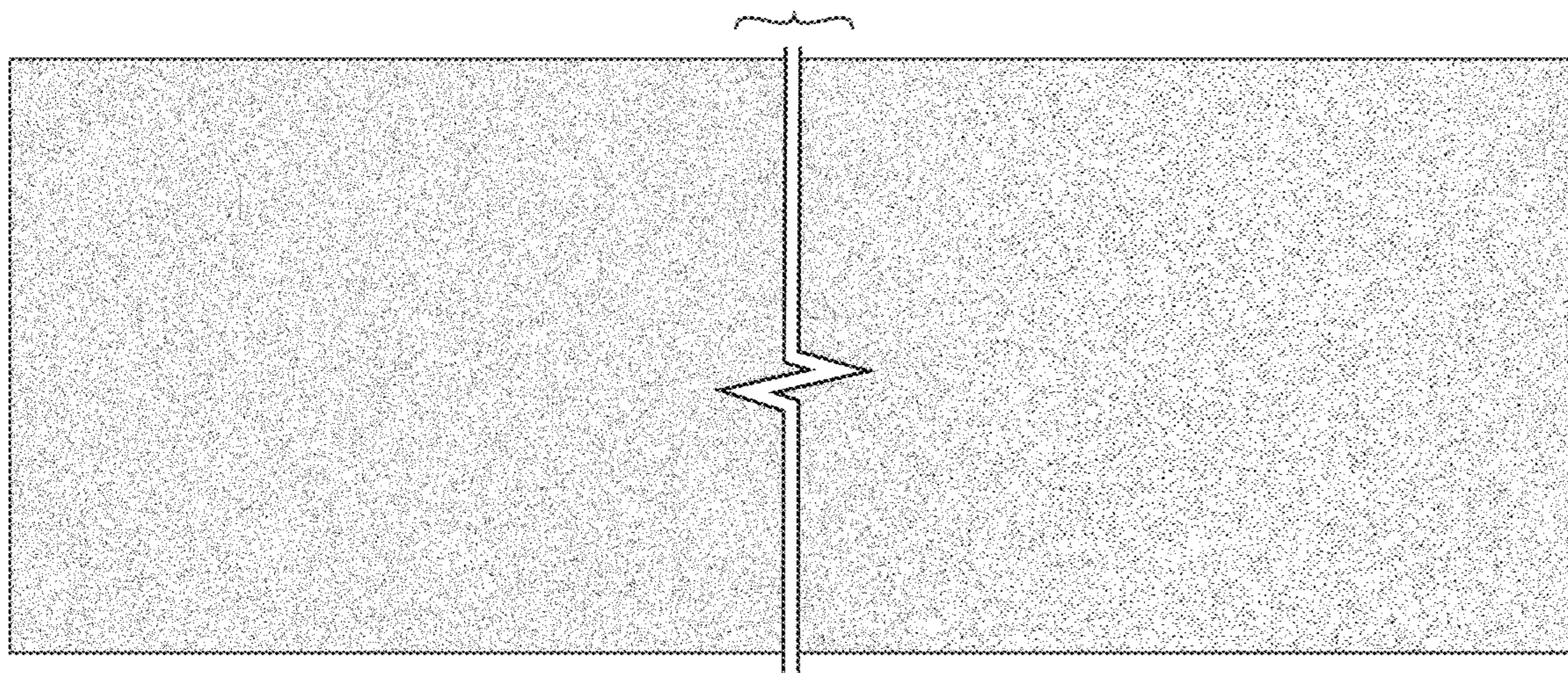


FIG. 9

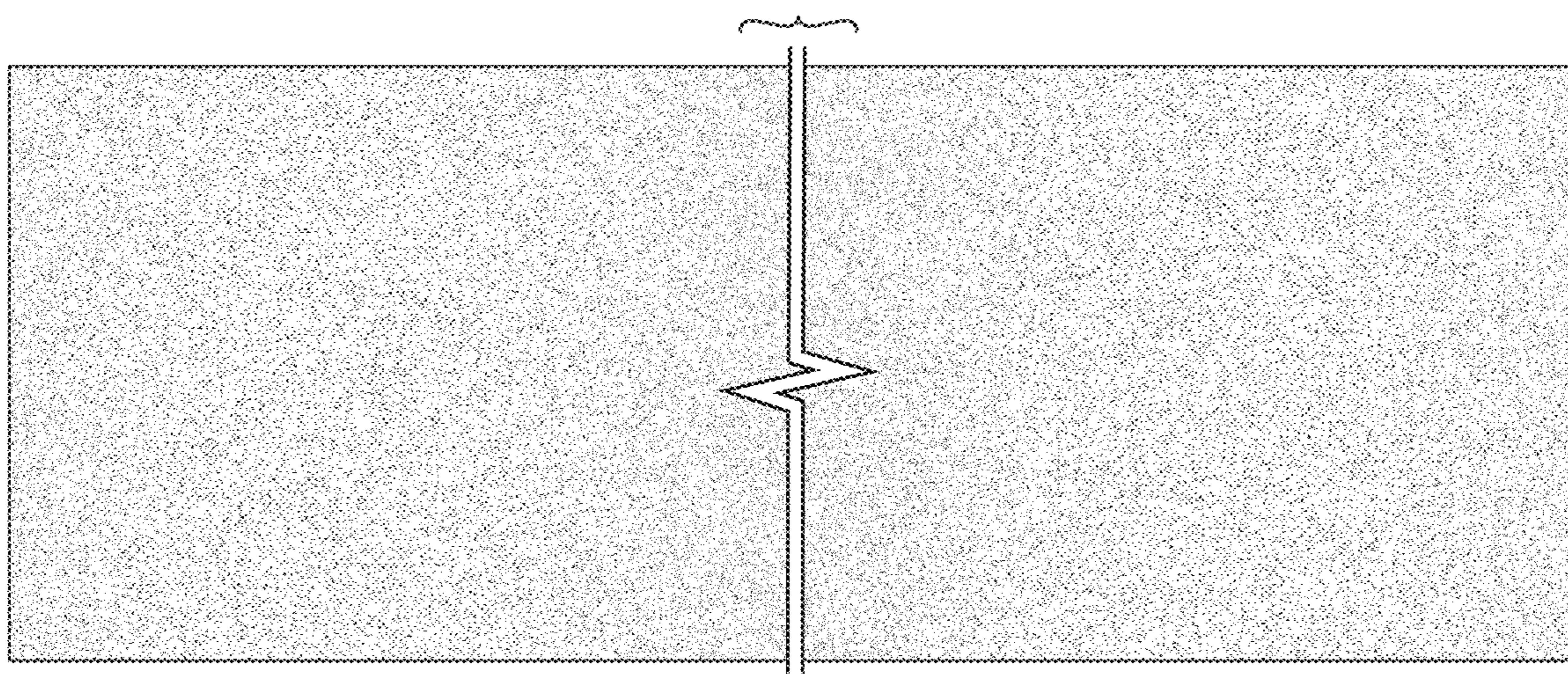


FIG. 10

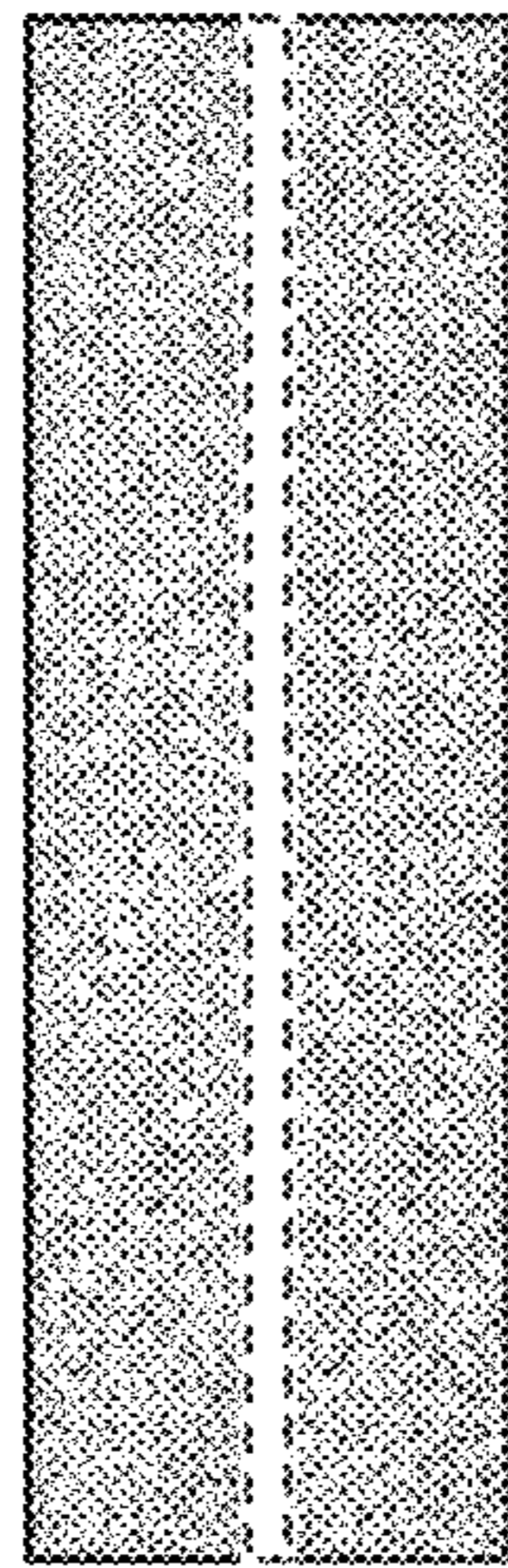


FIG. 11

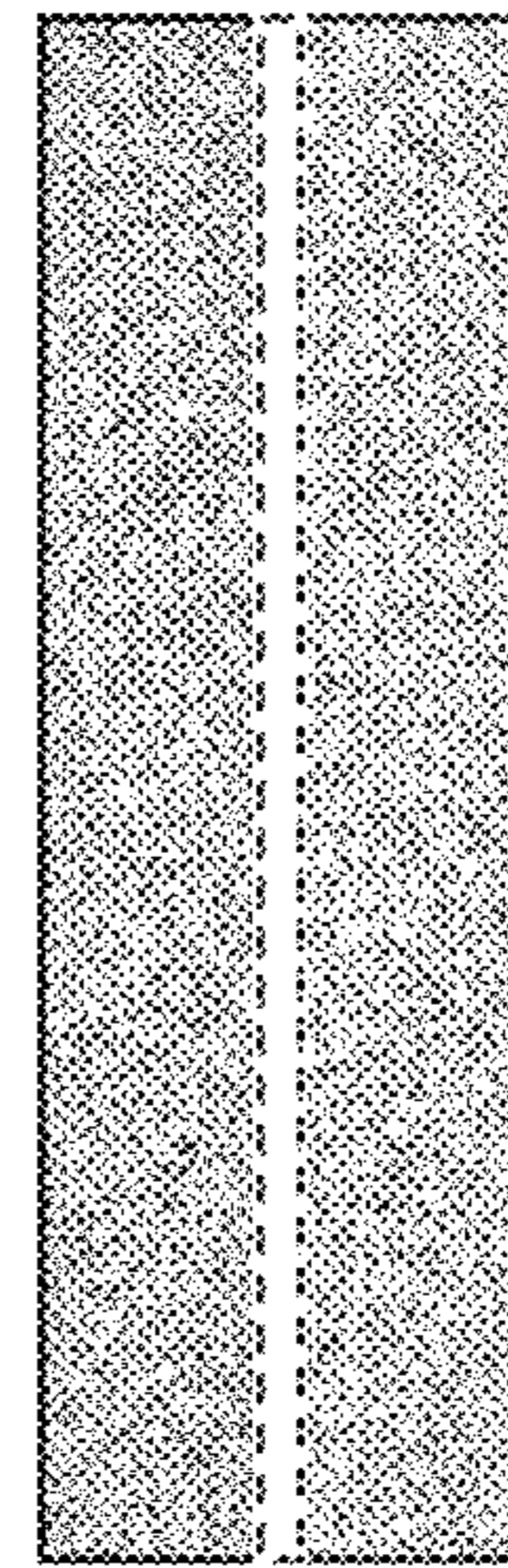


FIG. 12

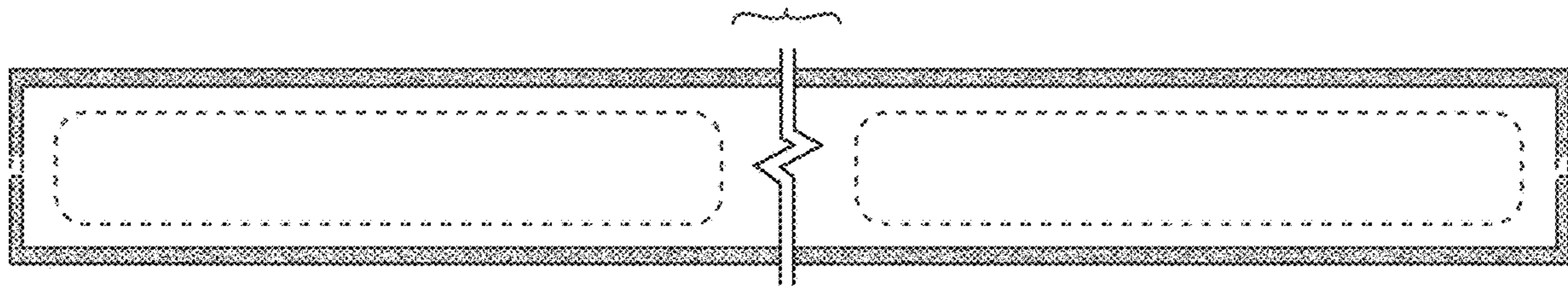


FIG. 13

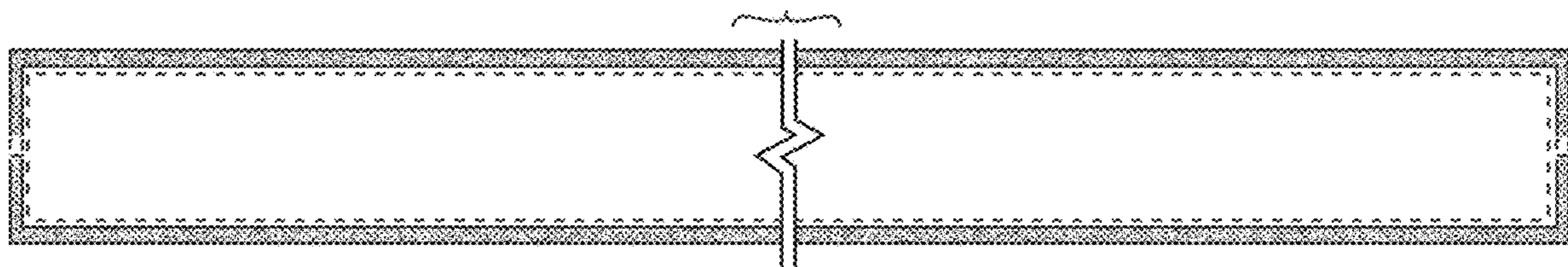


FIG. 14