



US00D959026S

(12) **United States Design Patent**
Karau

(10) **Patent No.:** **US D959,026 S**

(45) **Date of Patent:** **** Jul. 26, 2022**

(54) **RANDOM LINEAR PAVING SLAB**

(71) Applicant: **PAVESTONE, LLC**, Atlanta, GA (US)

(72) Inventor: **William H. Karau**, Southlake, TX (US)

(73) Assignee: **PAVESTONE, LLC**, Atlanta, GA (US)

(**) Term: **15 Years**

(21) Appl. No.: **29/796,261**

(22) Filed: **Jun. 23, 2021**

Related U.S. Application Data

(62) Division of application No. 29/697,510, filed on Jul. 9, 2019, now Pat. No. Des. 928,986.

(51) **LOC (13) Cl.** **25-01**

(52) **U.S. Cl.**

USPC **D25/113**

(58) **Field of Classification Search**

USPC D25/113

CPC E04F 13/165; E04F 13/185; E04F 13/147;

E04F 13/144; E04F 13/142; E04F 13/141;

E04F 13/123; E04F 13/105; E04F 13/14;

E01C 2201/00; E01C 2201/02; E01C

2201/06; E01C 2201/14; E01C 15/00;

E01C 5/02; E01C 5/04; E01C 5/06; E01C

5/065; E01C 5/00

See application file for complete search history.

(56) **References Cited**

U.S. PATENT DOCUMENTS

D346,667 S * 5/1994 Blomquist D25/113

D515,711 S 2/2006 Anderson D25/113

9,127,418 B2 9/2015 Bockes et al.

9,951,527 B2 4/2018 Lundell E01C 5/16

D829,931 S 10/2018 Eliason D25/113

10,458,074 B1 10/2019 Dagesse E01C 5/003

2006/0107610 A1 5/2006 Boserio

2011/0085856 A1* 4/2011 Ma E01C 11/225
404/39

2018/0051424 A1* 2/2018 Ullislam E01C 9/002

FOREIGN PATENT DOCUMENTS

AU 2003266855 5/2004

CA 2899373 A1 9/2014

JP 2006-233527 9/2006

* cited by examiner

Primary Examiner — Doris Clark

(74) *Attorney, Agent, or Firm* — Jackson Walker LLP;
Christopher J. Rourk

(57) **CLAIM**

I claim, the ornamental design for a random linear paving slab, as shown and described.

DESCRIPTION

FIG. 1 shows a front perspective view of a paver according to a first exemplary embodiment of the present disclosure; FIG. 2 shows a front elevation view of the paver illustrated in FIG. 1;

FIG. 3 shows a rear elevation view of the paver illustrated in FIG. 1;

FIG. 4 shows a right side view of the paver illustrated in FIG. 1;

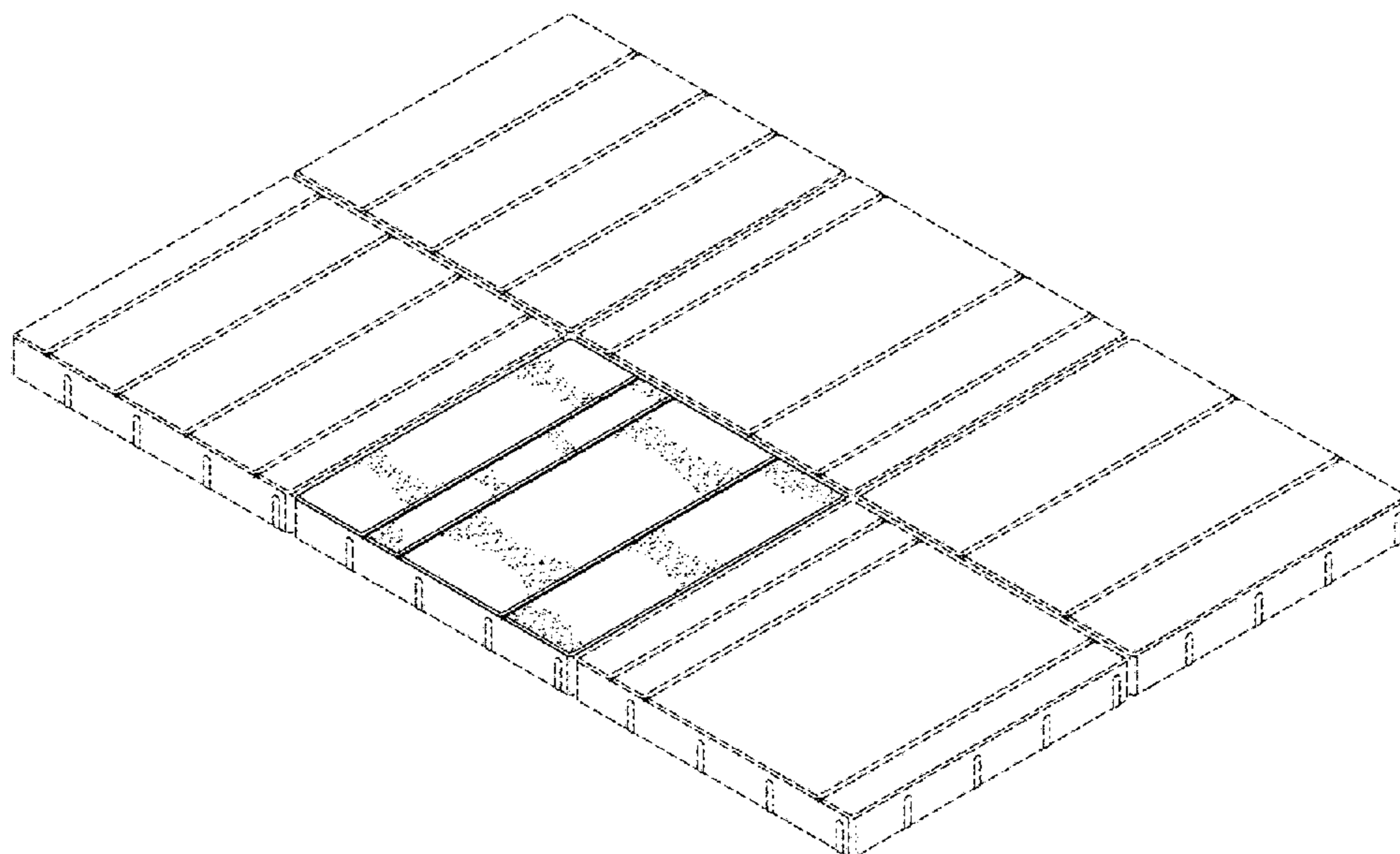
FIG. 5 shows a left side view of the paver illustrated in FIG. 1;

FIG. 6 shows a top view of the paver illustrated in FIG. 1; FIG. 7 shows a bottom view of the paver illustrated in FIG. 1; and,

FIG. 8 shows an environmental view of the paver illustrated in FIG. 1.

The dashed broken lines are for illustrative purposes only and form no part of the claimed design.

1 Claim, 6 Drawing Sheets



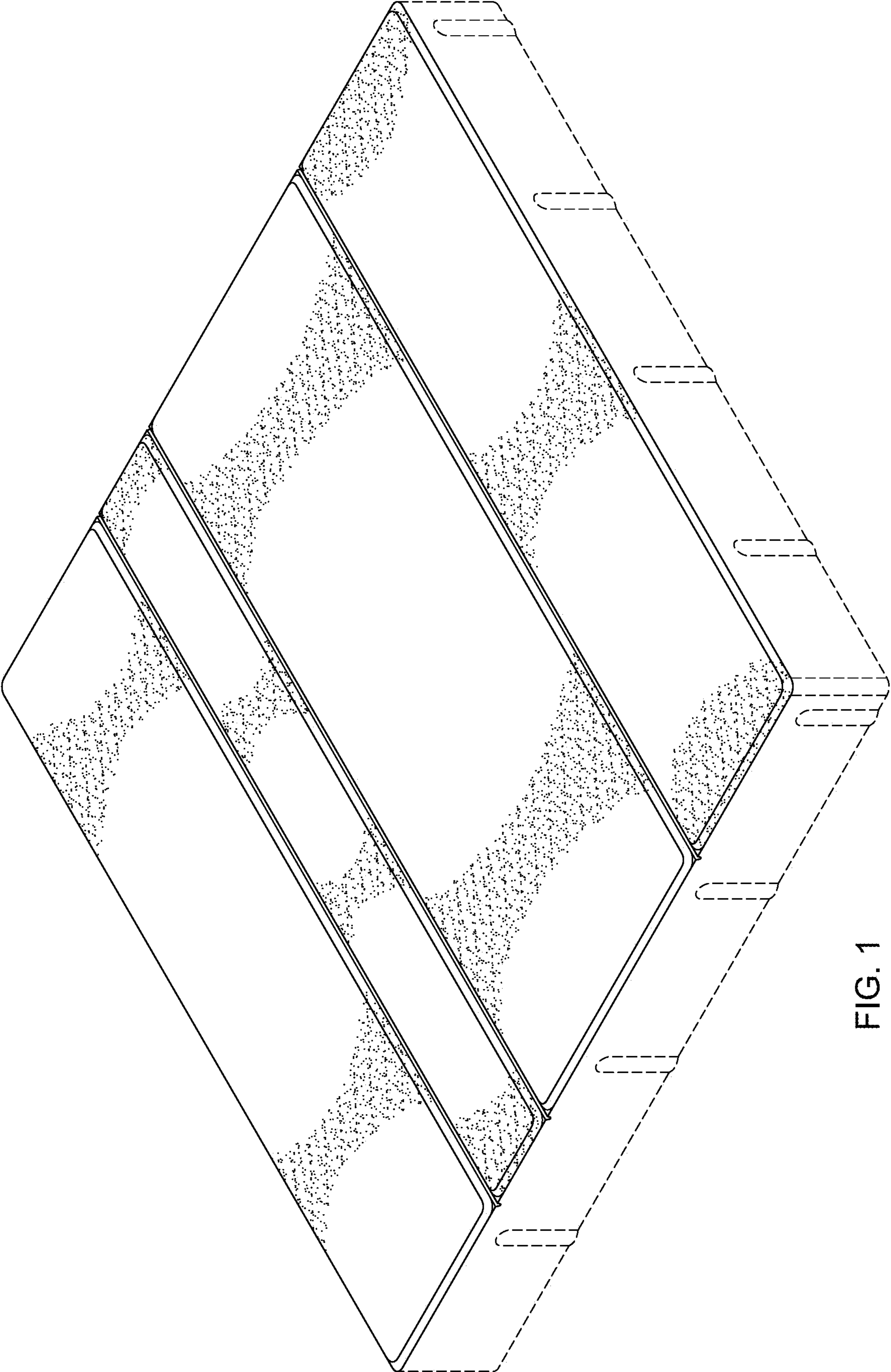


FIG. 1

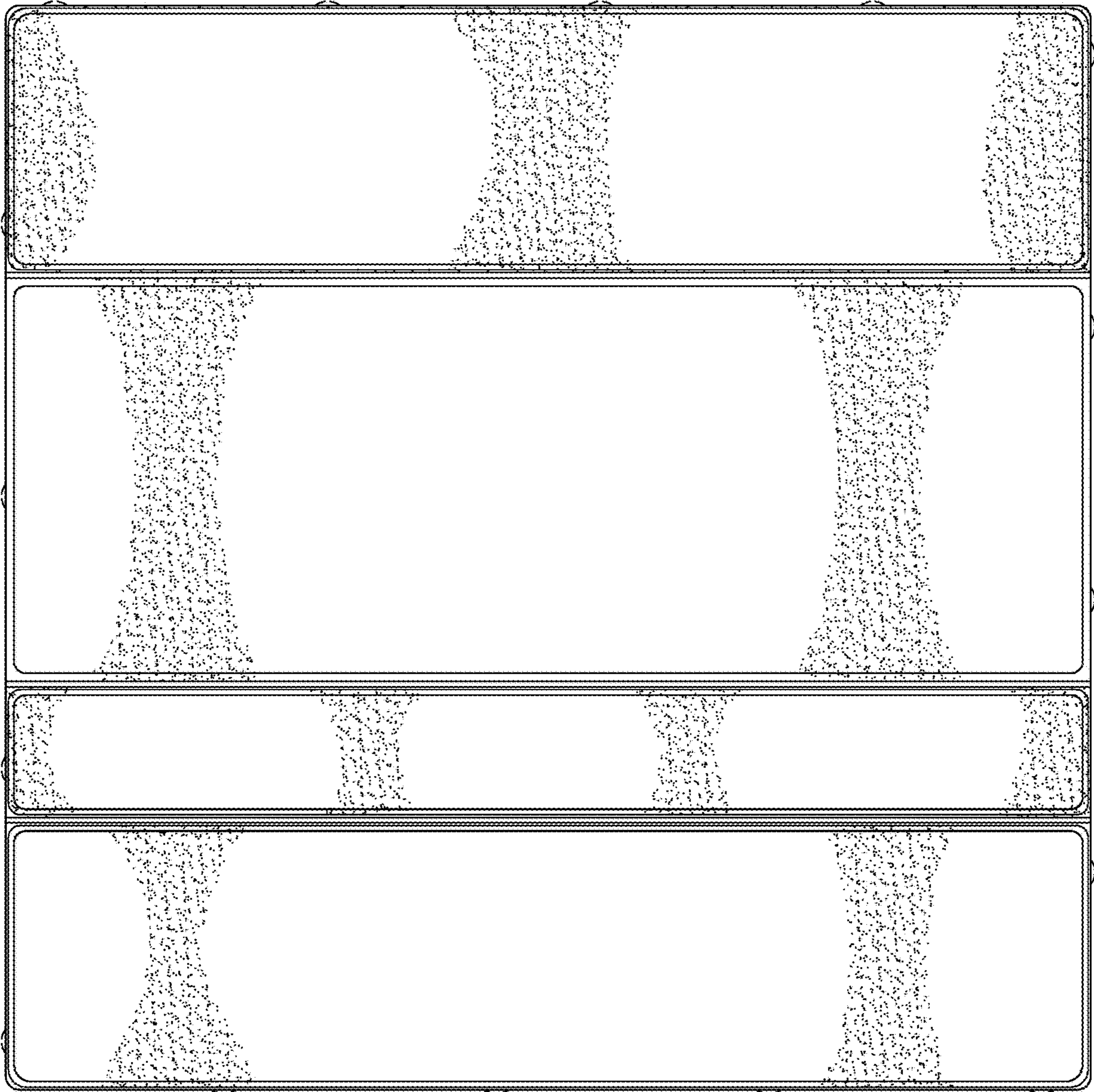


FIG. 2

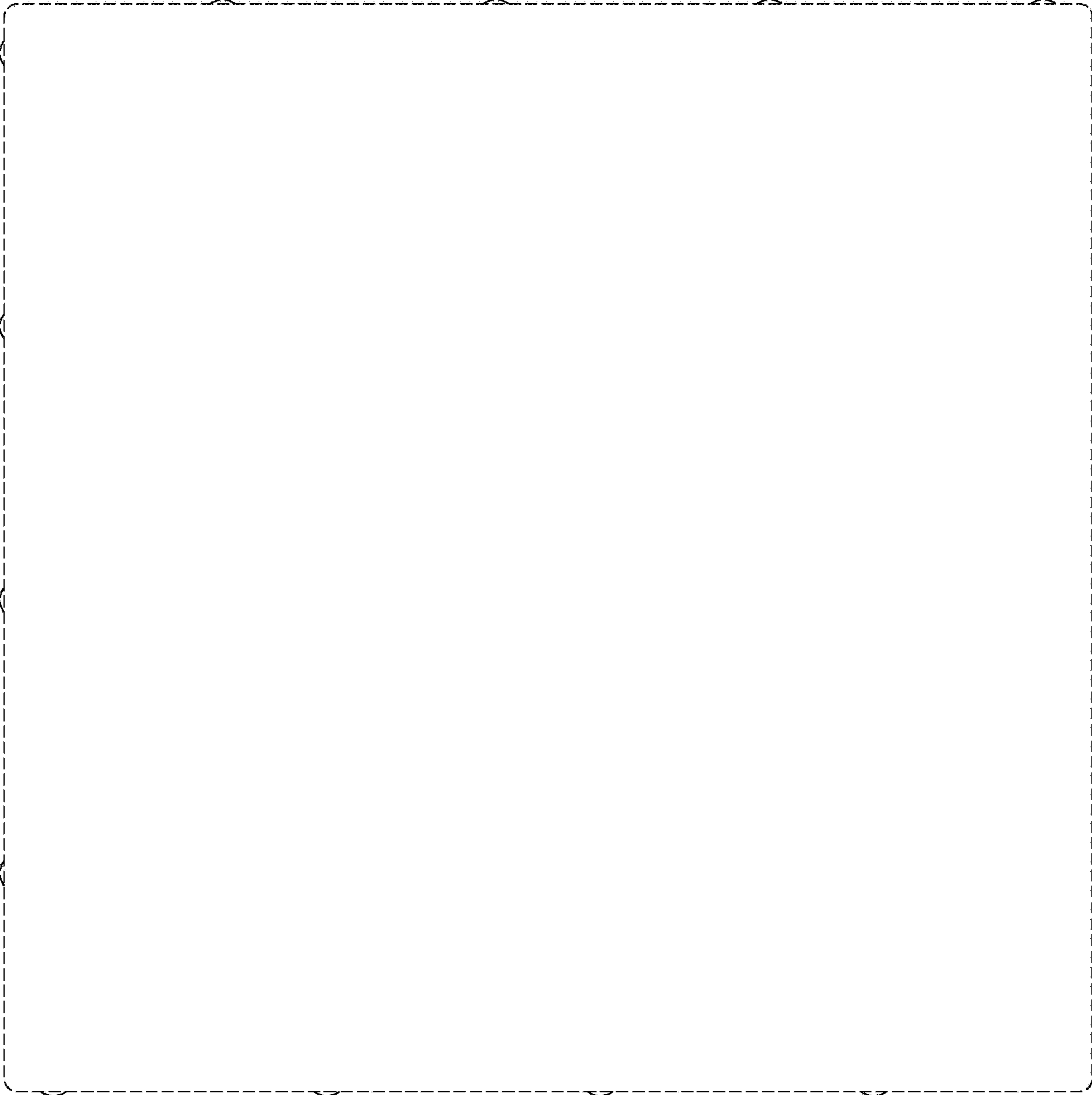


FIG. 3

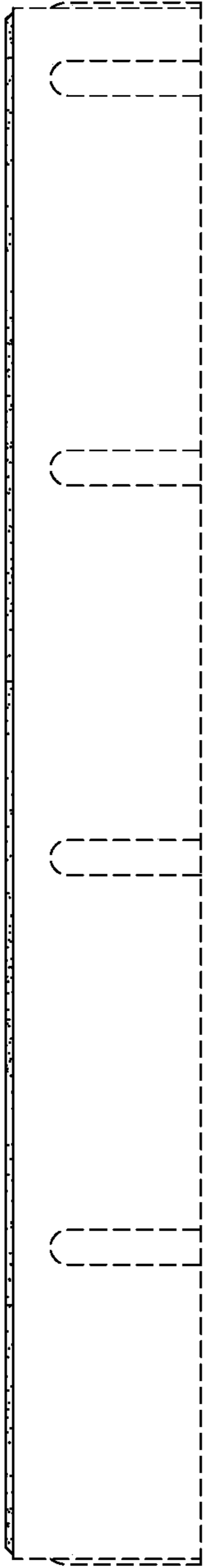


FIG. 4

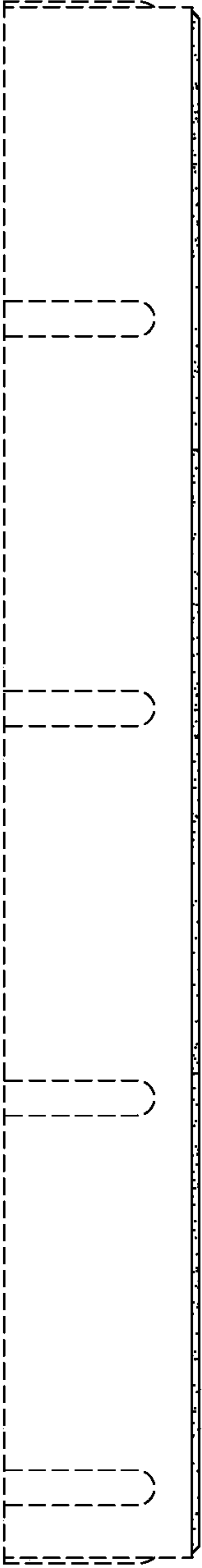


FIG. 5

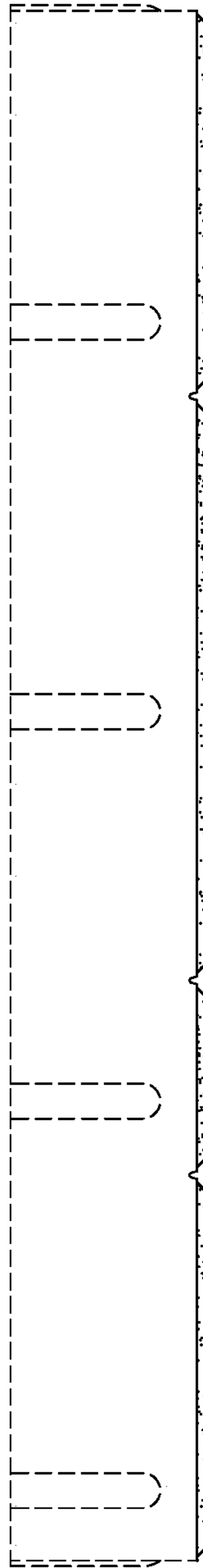


FIG. 6

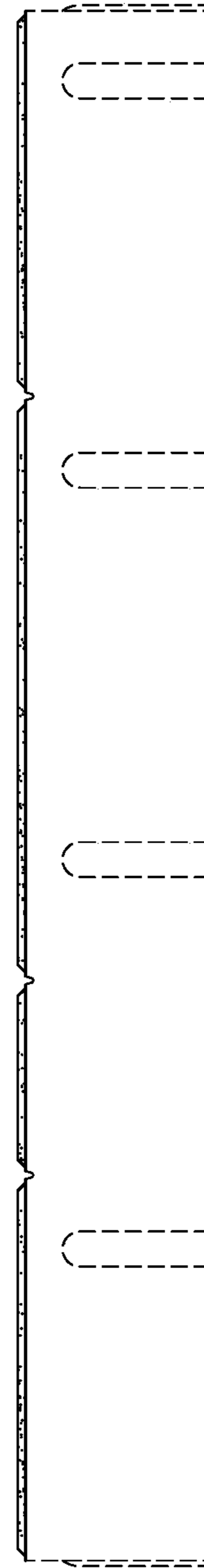


FIG. 7

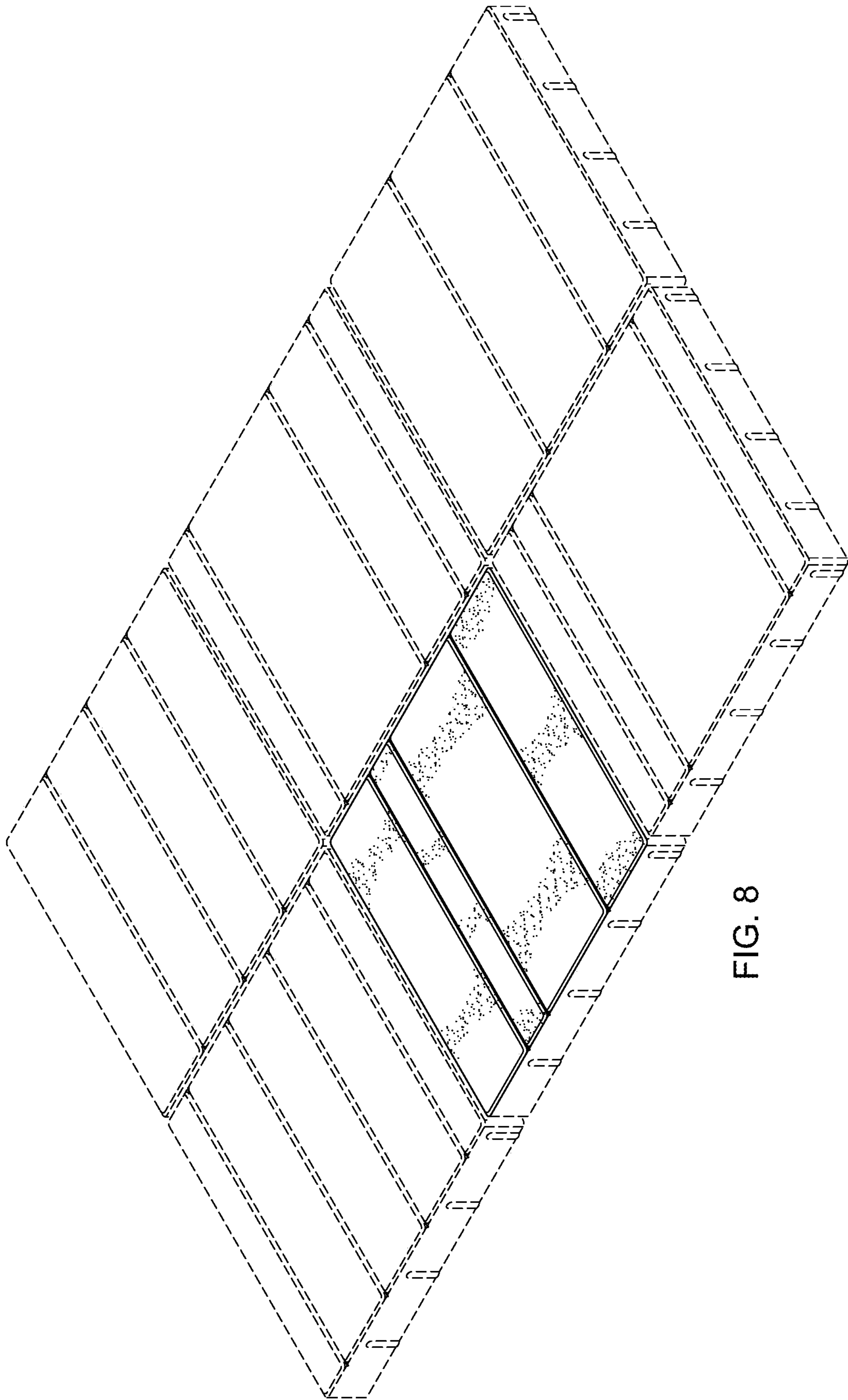


FIG. 8