



US00D959024S

(12) **United States Design Patent** (10) **Patent No.:** **US D959,024 S**  
**Boyer** (45) **Date of Patent:** **\*\* Jul. 26, 2022**

(54) **TRAY FOR TELESCOPING LADDER**  
(71) Applicant: **Dorel Home Furnishings, Inc.**, Wright City, MI (US)  
(72) Inventor: **Jason A. Boyer**, Columbus, IN (US)  
(73) Assignee: **Dorel Home Furnishings, Inc.**, Wright City, MI (US)

2011/0192679 A1 8/2011 Kuo et al.  
2014/0019076 A1 1/2014 Horton et al.  
2014/0190766 A1 7/2014 Parker

**FOREIGN PATENT DOCUMENTS**

CN 107461142 A 12/2017  
EP 527766 A1 2/1993  
EP 527766 B1 6/1996

(Continued)

(\*\*) Term: **15 Years**  
(21) Appl. No.: **29/760,910**

*Primary Examiner* — Gino Colan  
(74) *Attorney, Agent, or Firm* — Barnes & Thornburg LLP

(22) Filed: **Dec. 4, 2020**  
(51) **LOC (13) Cl.** ..... **25-04**  
(52) **U.S. Cl.**  
USPC ..... **D25/68**  
(58) **Field of Classification Search**  
USPC ..... D25/68; 220/570; 182/129  
CPC ... E06C 7/14; E06C 7/16; E06C 1/393; E06C 7/165; E06C 7/182; E06C 7/188; E06C 1/12; B44D 3/14; B44D 3/126; B44D 3/125  
See application file for complete search history.

(57) **CLAIM**  
The ornamental design for a tray for telescoping ladder, as shown and described.

**DESCRIPTION**

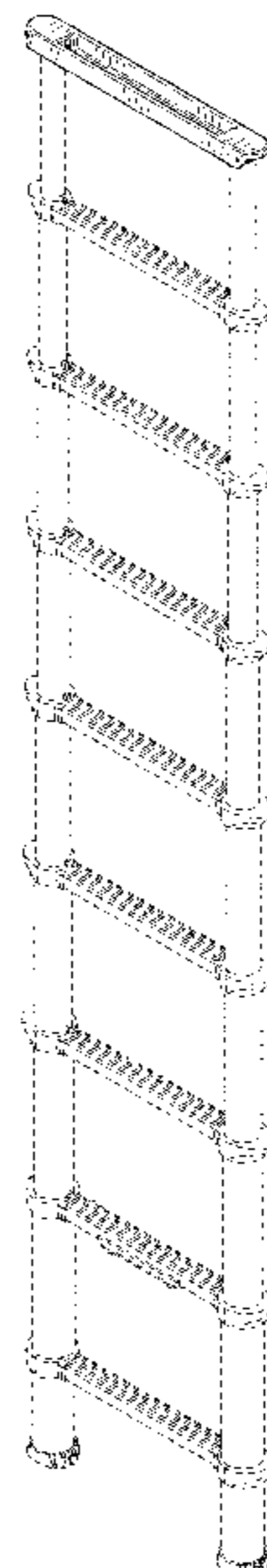
(56) **References Cited**

**U.S. PATENT DOCUMENTS**

2,770,155 A 11/1956 Morgan  
D434,856 S \* 12/2000 Yahner ..... D25/68  
6,253,936 B1 7/2001 Kong  
7,048,094 B2 5/2006 Kieffer et al.  
D547,460 S \* 7/2007 Asham ..... D25/68  
D678,551 S \* 3/2013 Stark ..... D25/68  
D753,319 S \* 4/2016 Constable ..... D25/68  
10,435,946 B2 10/2019 Nielsen  
10,934,776 B2 3/2021 Zhou et al.  
2005/0183710 A1 8/2005 Lapointe  
2006/0283664 A1 12/2006 Yao  
2010/0044155 A1 2/2010 Kieffer et al.  
2011/0019267 A1 1/2011 Li

FIG. 1 is a perspective view of a telescoping ladder with a tray in an expanded use position showing my new design; FIG. 2 is a front elevation view thereof; FIG. 3 is a rear elevation view thereof; FIG. 4 is a left side elevation view thereof; FIG. 5 is a right side elevation view thereof; FIG. 6 is a top plan view thereof; FIG. 7 is a bottom view thereof; FIG. 8 is a perspective view of the telescoping ladder with the tray of FIG. 1 in a collapsed storage position showing my new design; FIG. 9 is a front elevation view thereof; FIG. 10 is a rear elevation view thereof; FIG. 11 is a left side elevation view thereof; FIG. 12 is a right side elevation view thereof; FIG. 13 is a top plan view thereof; and, FIG. 14 is a bottom view thereof.  
The broken lines shown in the figures are for the purpose of illustrating environment and form no part of the claimed design.

**1 Claim, 10 Drawing Sheets**



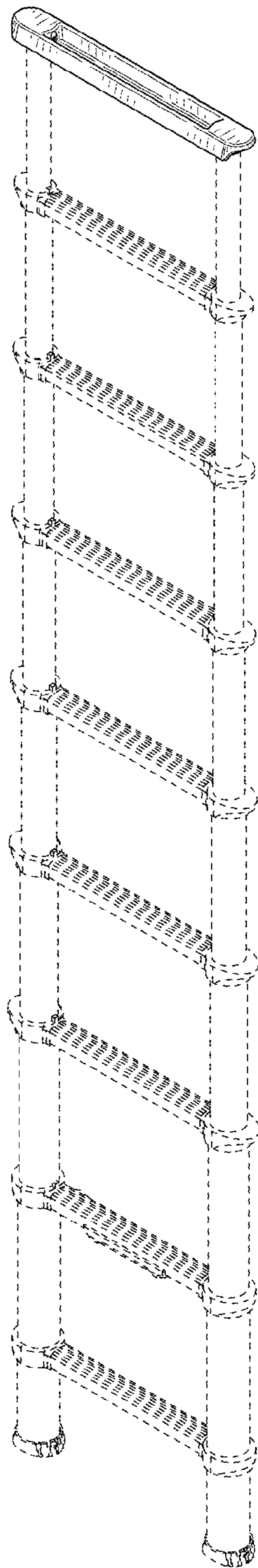
(56)

**References Cited**

FOREIGN PATENT DOCUMENTS

EP	1728966	A1	12/2006
EP	2343433	A1	7/2011
EP	2770155	A1	8/2014
GB	2305956	A	4/1997
JP	2011074749	A	4/2011
NL	2018437	B1	9/2018
WO	2017088891	A1	6/2017
WO	2017088891	A9	4/2018
WO	2018160064	A1	9/2018
WO	2019019228	A1	1/2019
WO	2020199256	A1	10/2020

\* cited by examiner



*FIG. 1*

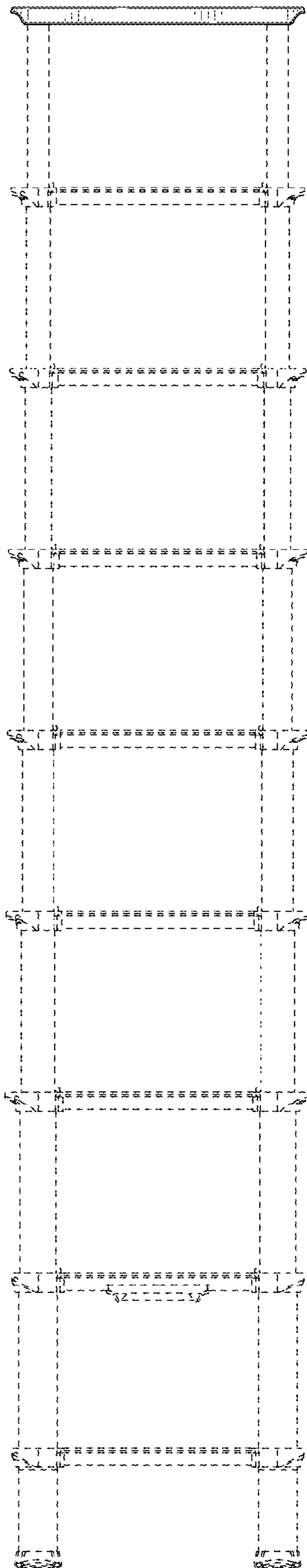


FIG. 2

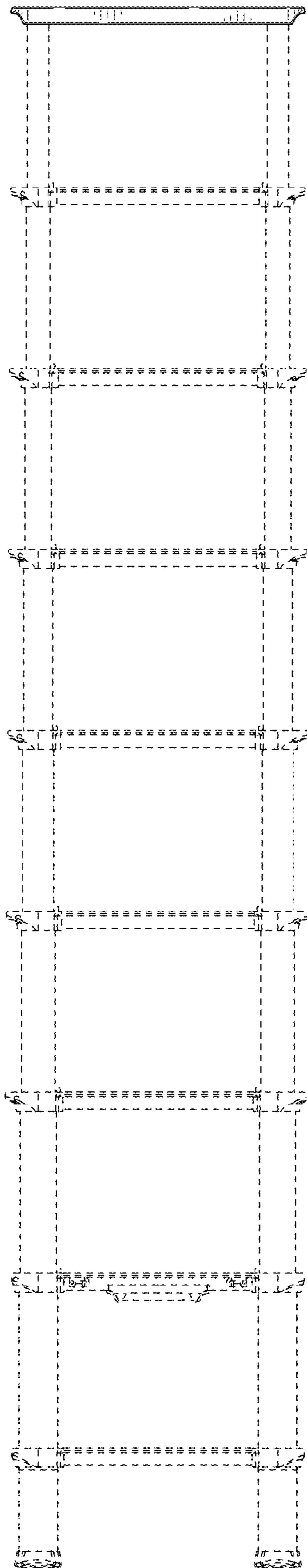
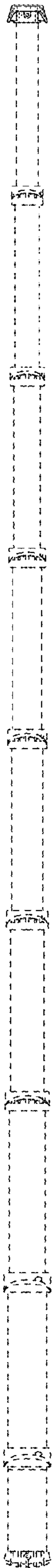
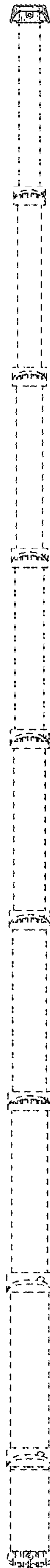


FIG. 3



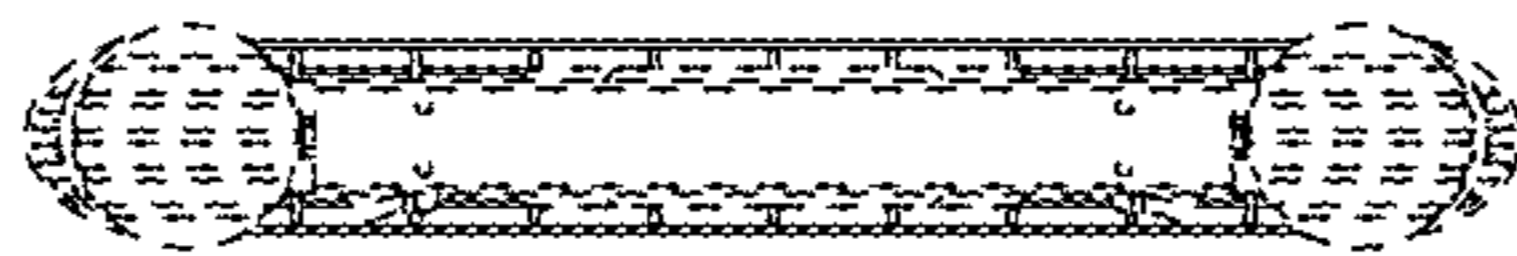
*FIG. 4*



*FIG. 5*



*FIG. 6*



*FIG. 7*

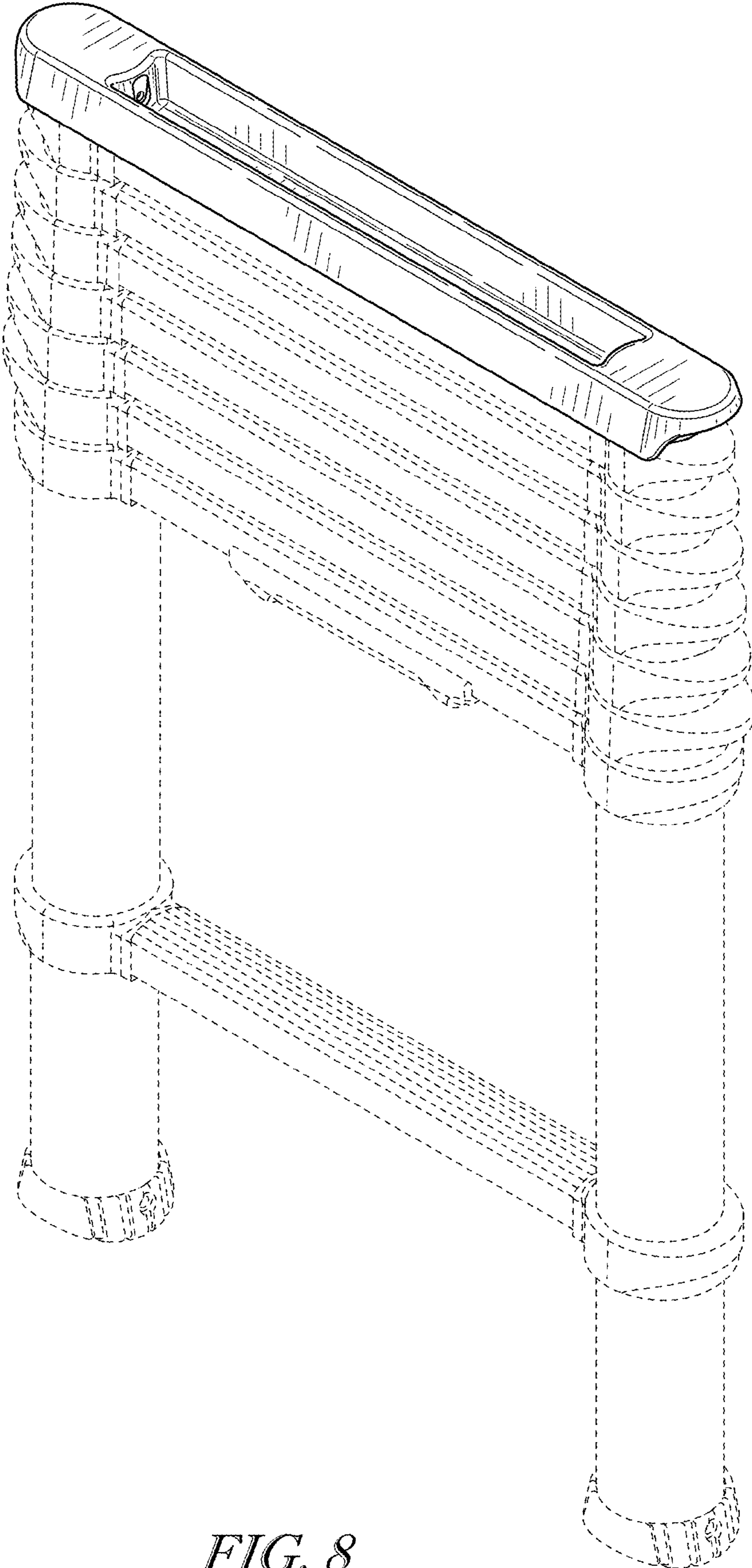


FIG. 8



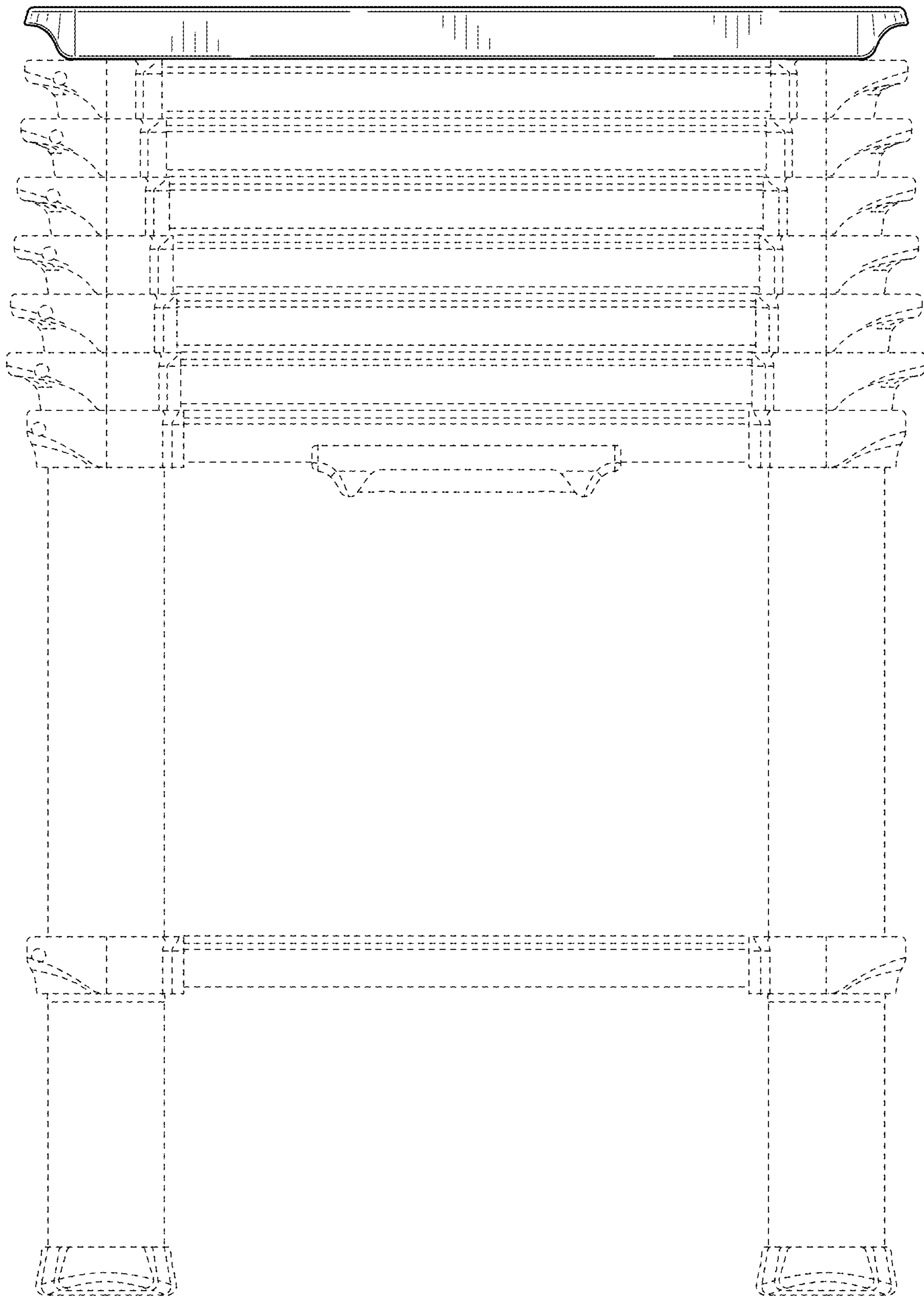


FIG. 9

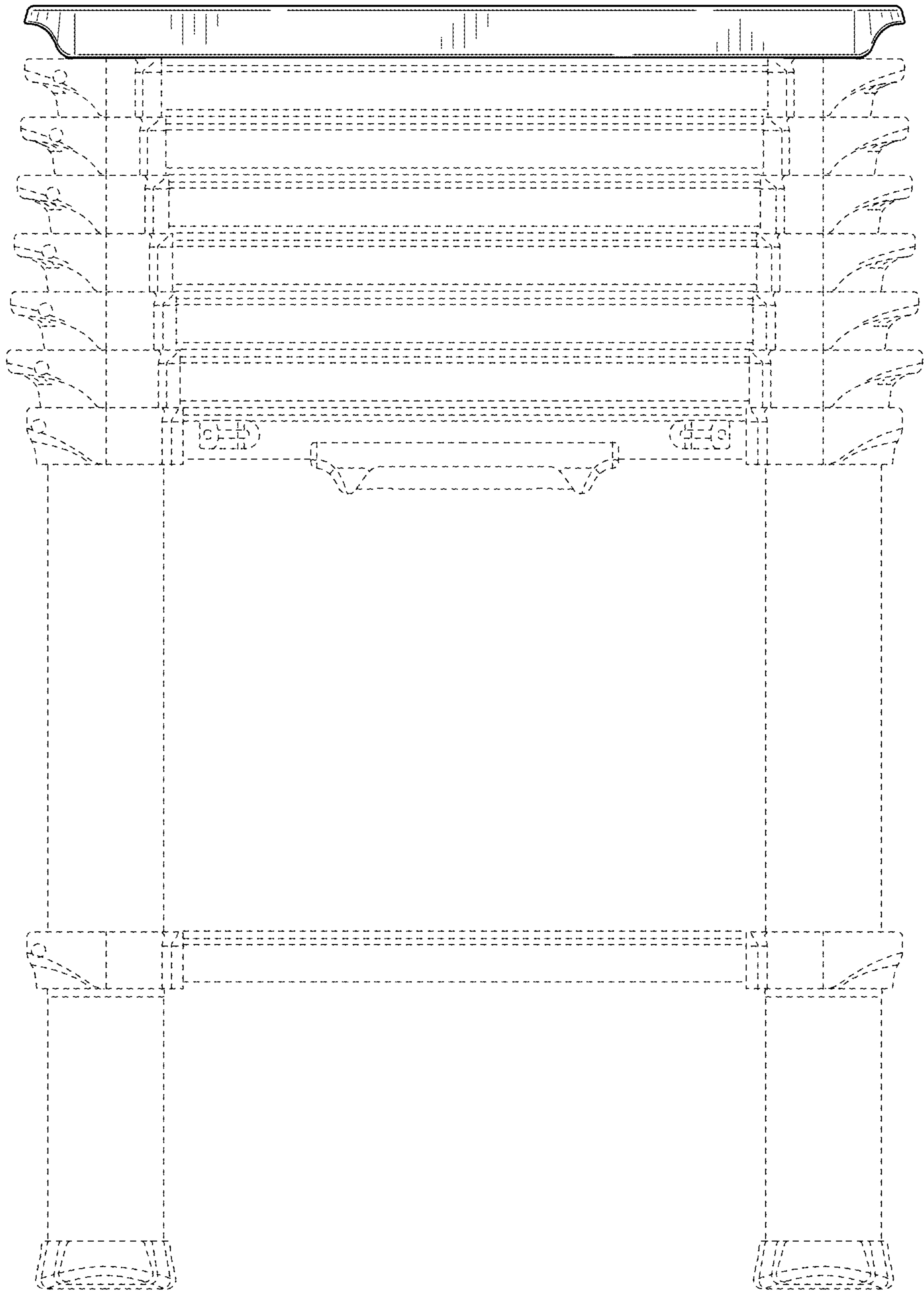


FIG. 10

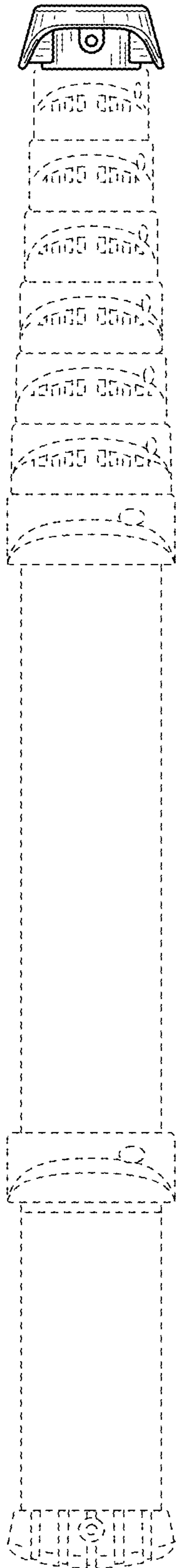


FIG. 11

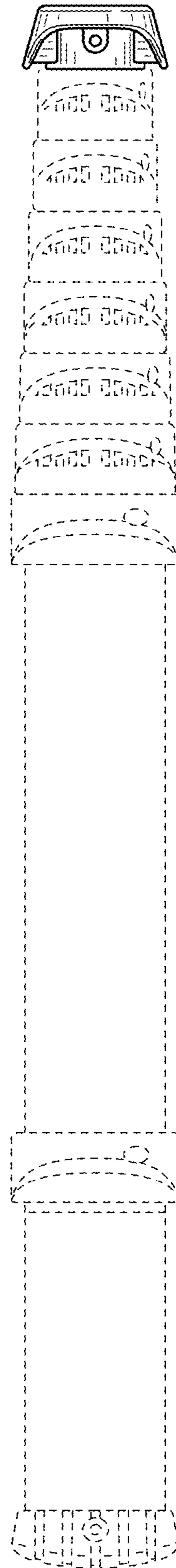
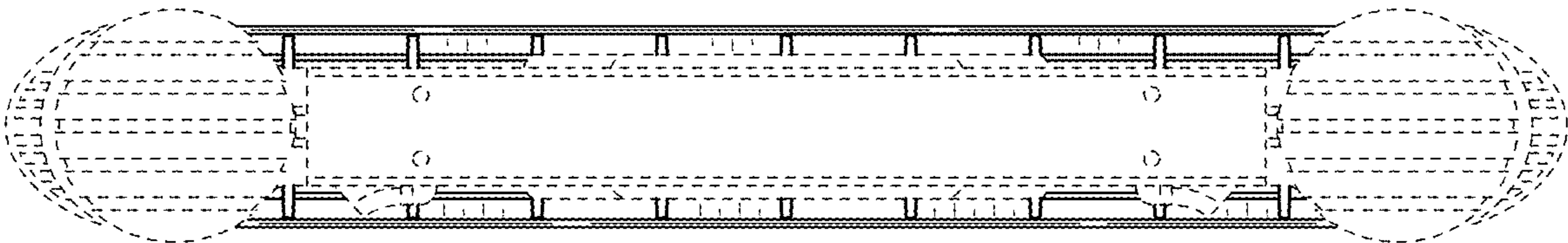


FIG. 12



*FIG. 13*



*FIG. 14*