



US00D959023S

(12) **United States Design Patent** (10) **Patent No.:** **US D959,023 S**
Ege (45) **Date of Patent:** **** Jul. 26, 2022**

(54) **LITE**
(71) Applicant: **Masonite Corporation**, Tampa, FL (US)
(72) Inventor: **Patrick C. Ege**, Westmont, IL (US)
(73) Assignee: **Masonite Corporation**, Tampa, FL (US)
(**) Term: **15 Years**
(21) Appl. No.: **29/724,371**
(22) Filed: **Feb. 14, 2020**
(51) **LOC (13) Cl.** **25-02**
(52) **U.S. Cl.**
USPC **D25/48.7; D25/103**
(58) **Field of Classification Search**
USPC D25/48.3, 48.7, 103, 106, 109–111
CPC B44C 1/14; B44C 1/18; B44C 1/20; B44C 5/0407; E06B 3/6604; E06B 3/685; E06B 9/01; C03C 17/38; C03C 17/42
See application file for complete search history.

D692,585 S *	10/2013	Walsh	D25/103
D705,950 S *	5/2014	Walsh	D25/110
D737,462 S *	8/2015	Ege	D25/48.7
D751,220 S *	3/2016	Walsh	D25/103
D752,244 S *	3/2016	Ege	D25/48.7
D765,878 S *	9/2016	Walsh	D25/103
D837,410 S *	1/2019	Ege	D25/103
D914,243 S *	3/2021	Ege	D25/103

OTHER PUBLICATIONS

Roofline-Composite-Door-Brochure <https://rooflinewindows.co.uk/wp-content/uploads/2018/03/Roofline-Composite-Door-Brochure.pdf> Mar. 2018 (Year: 2018).*

* cited by examiner

Primary Examiner — Leanne Was-Englehart
(74) *Attorney, Agent, or Firm* — Berenato & White, LLC

(57) **CLAIM**

The ornamental design for a lite, as shown and described.

DESCRIPTION

FIG. 1 is a front perspective view of a first embodiment of my lite;
FIG. 2 is a front elevational view, with the rear being a mirror image;
FIG. 3 is a front perspective view of a variation thereof;
FIG. 4 is a front elevational view, with the rear being a mirror image;
FIG. 5 is a front perspective view of a second embodiment;
FIG. 6 is a front elevational view, with the rear being a mirror image;
FIG. 7 is a front perspective view of a variation thereof; and,
FIG. 8 is a front elevational view, with the rear being a mirror image.

1 Claim, 6 Drawing Sheets

(56) **References Cited**

U.S. PATENT DOCUMENTS

D312,505 S *	11/1990	Guetle, Jr.	D25/103
D316,605 S *	4/1991	Guetle, Jr.	D25/103
D336,139 S *	6/1993	Wilkening	D25/103
D361,392 S *	8/1995	Wilkening	D25/104
D373,642 S *	9/1996	Lint	D25/138
D380,279 S *	6/1997	Lint	D25/103
D383,221 S *	9/1997	Lint	D25/103
D392,748 S *	3/1998	Lint	D25/103
D462,128 S *	8/2002	Careri	D25/103
D462,455 S *	9/2002	Careri	D25/103
D502,552 S *	3/2005	Alexander	D25/103
D652,530 S *	1/2012	Walsh	D25/103
D691,286 S *	10/2013	Hu	D25/103

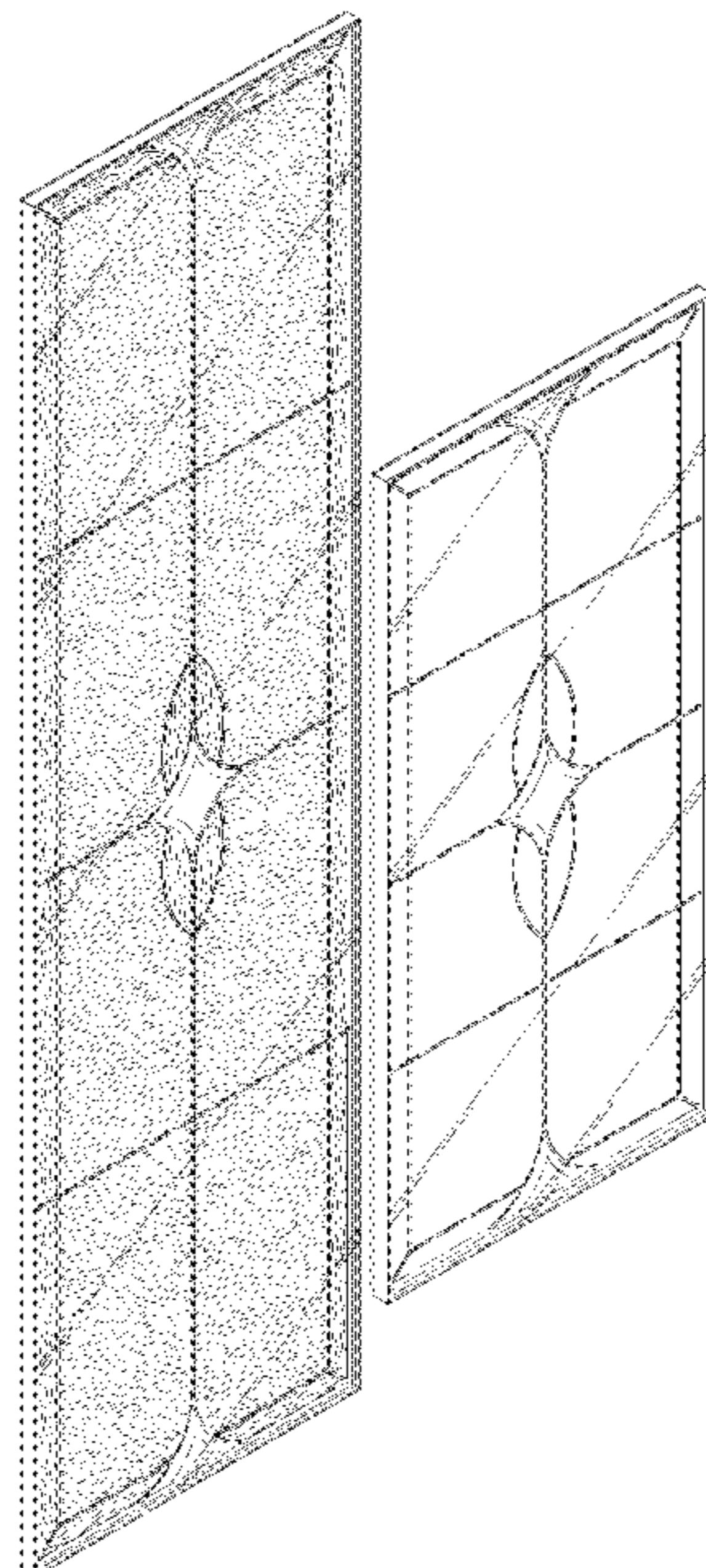


FIG. 1

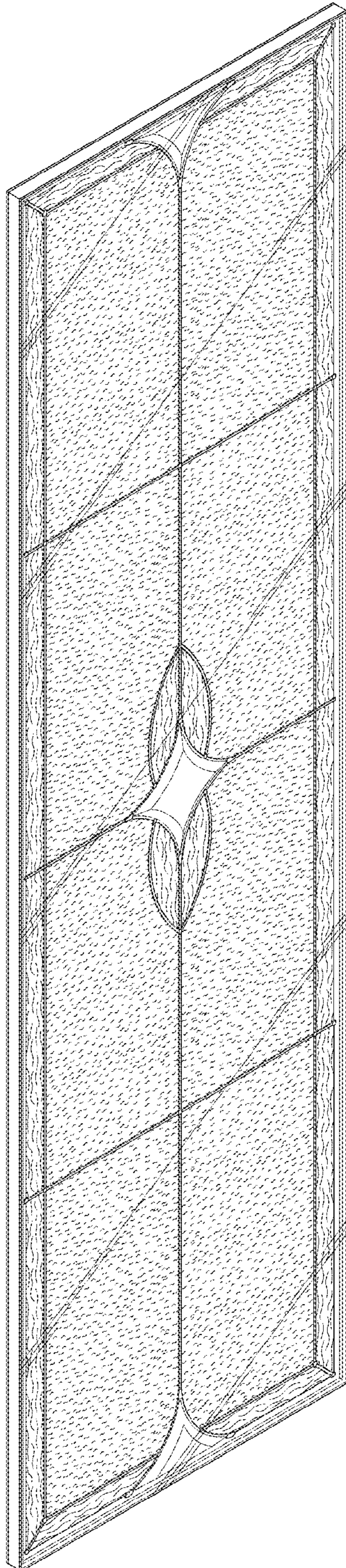


FIG. 2

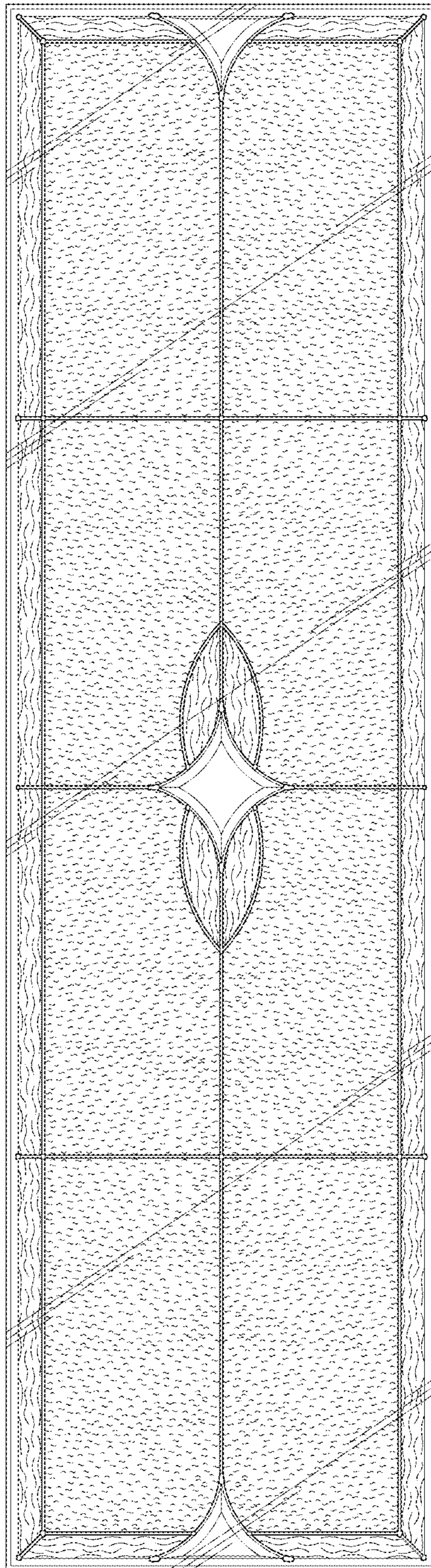


FIG. 3

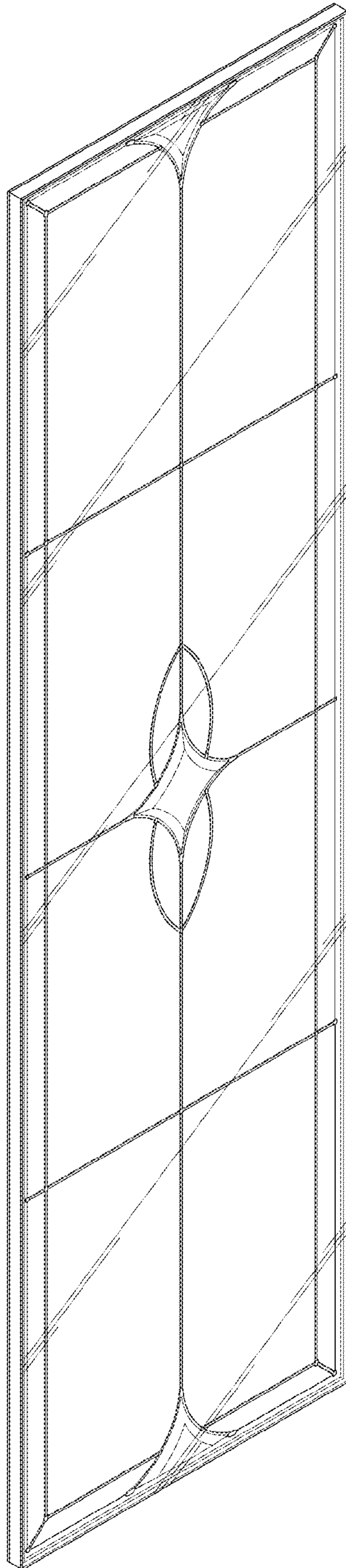
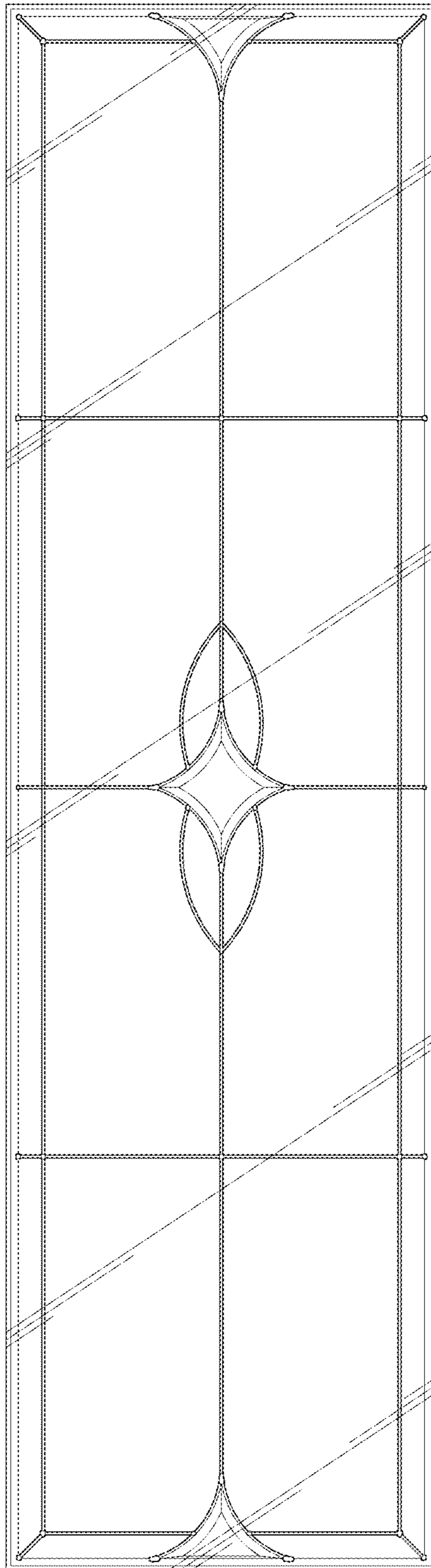


FIG. 4



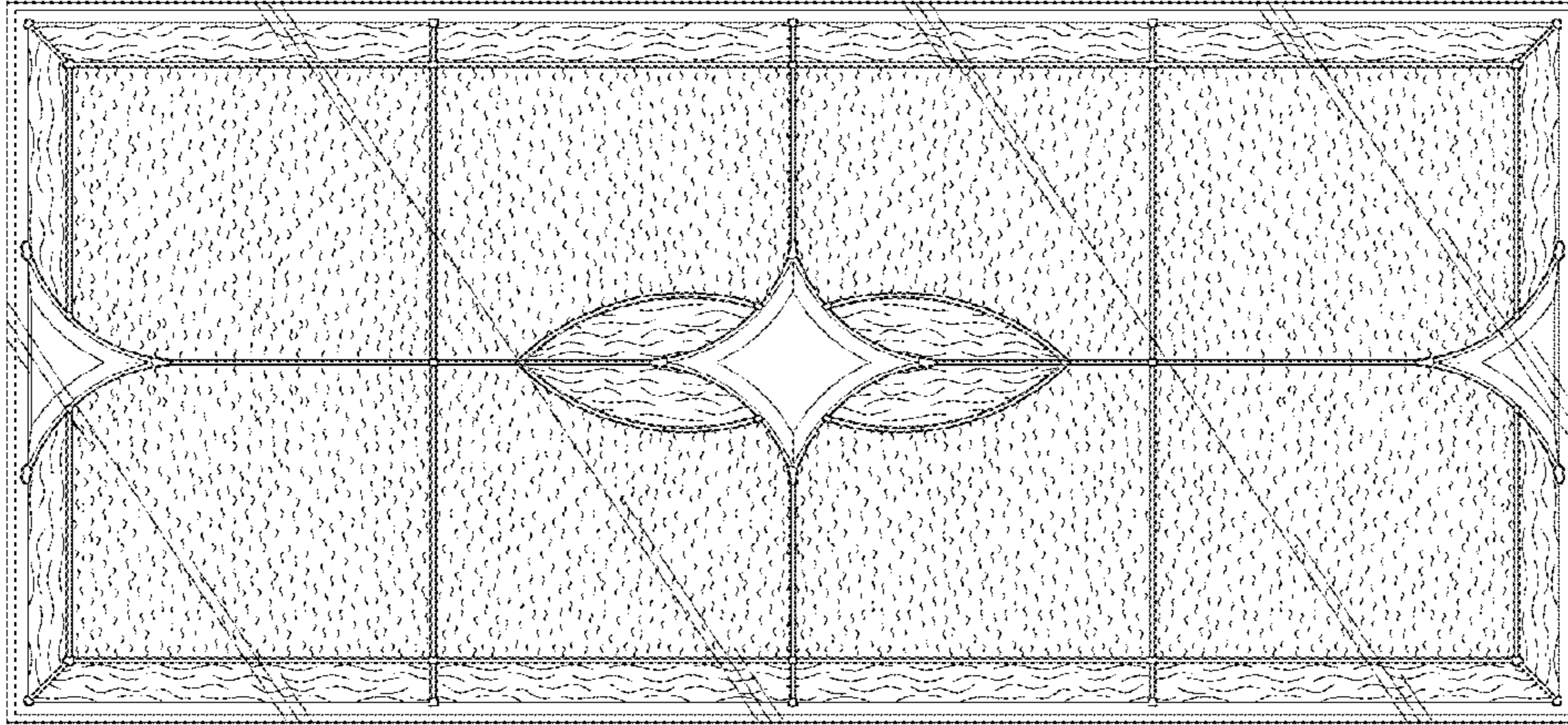


FIG. 6

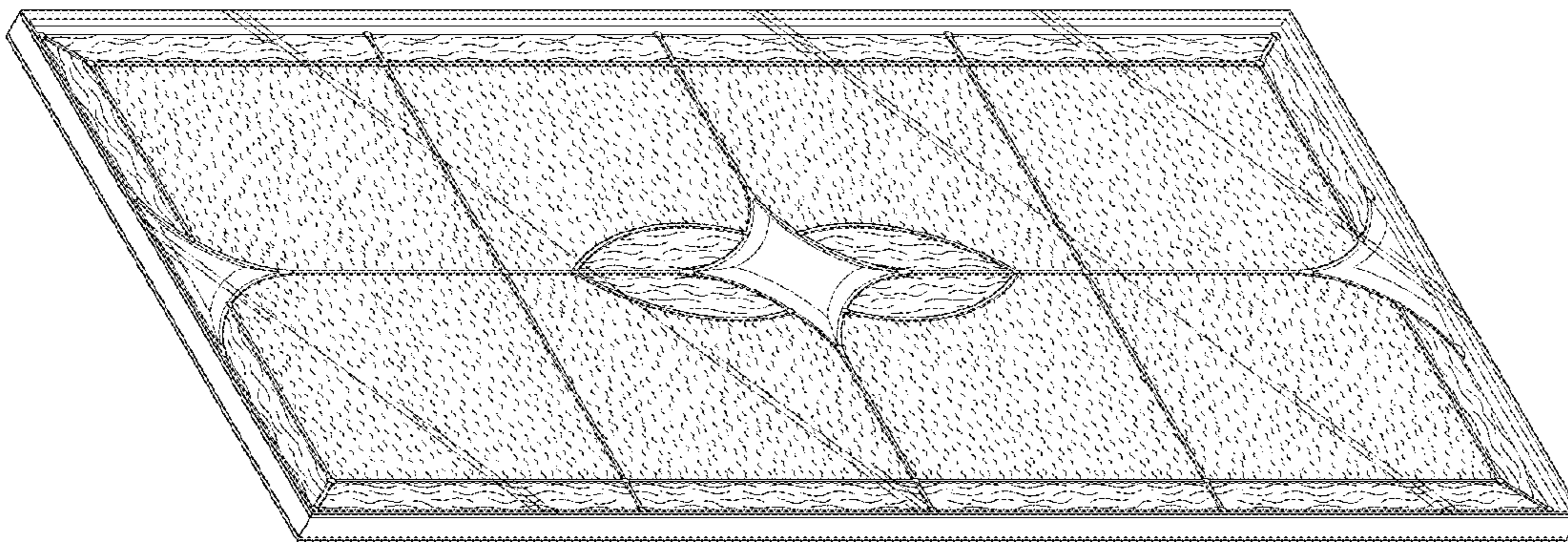


FIG. 5

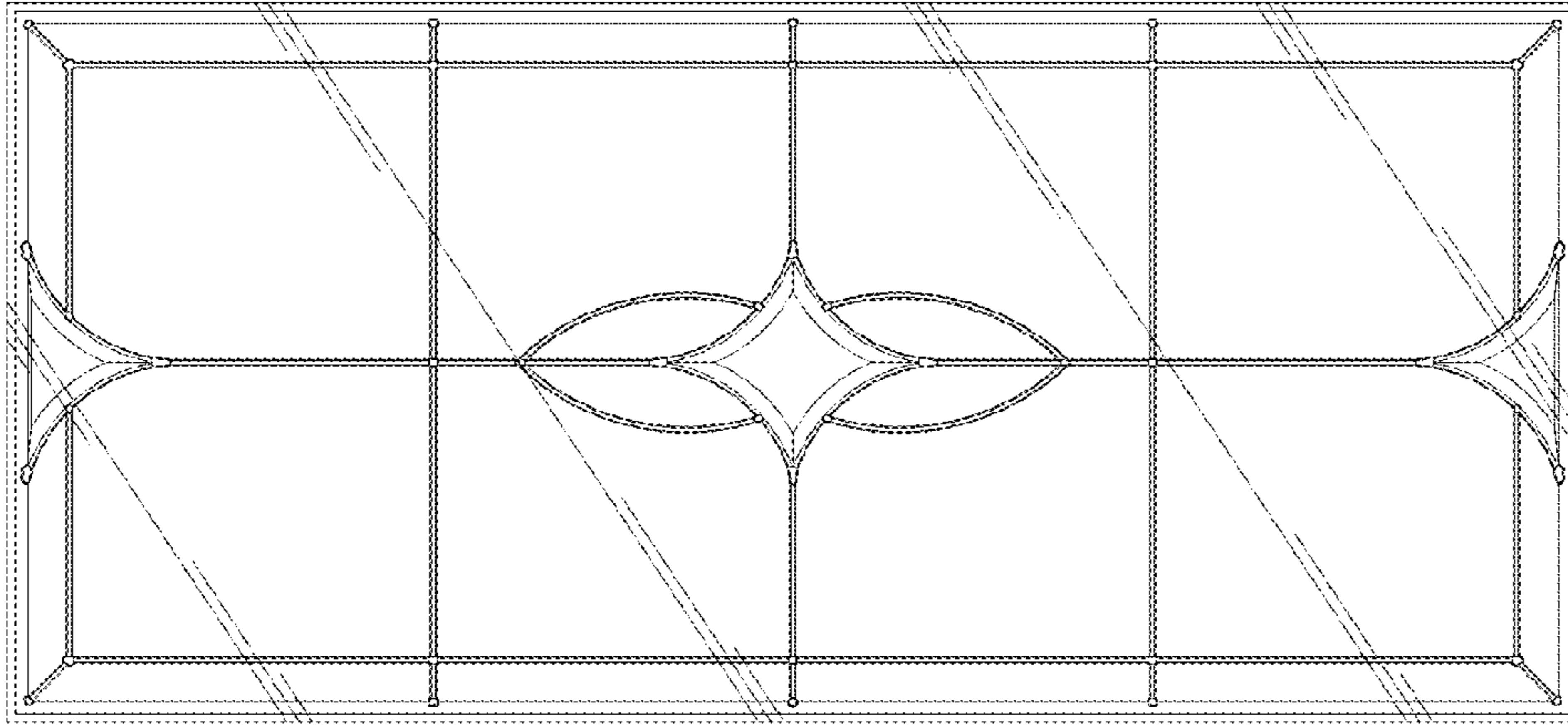


FIG. 8

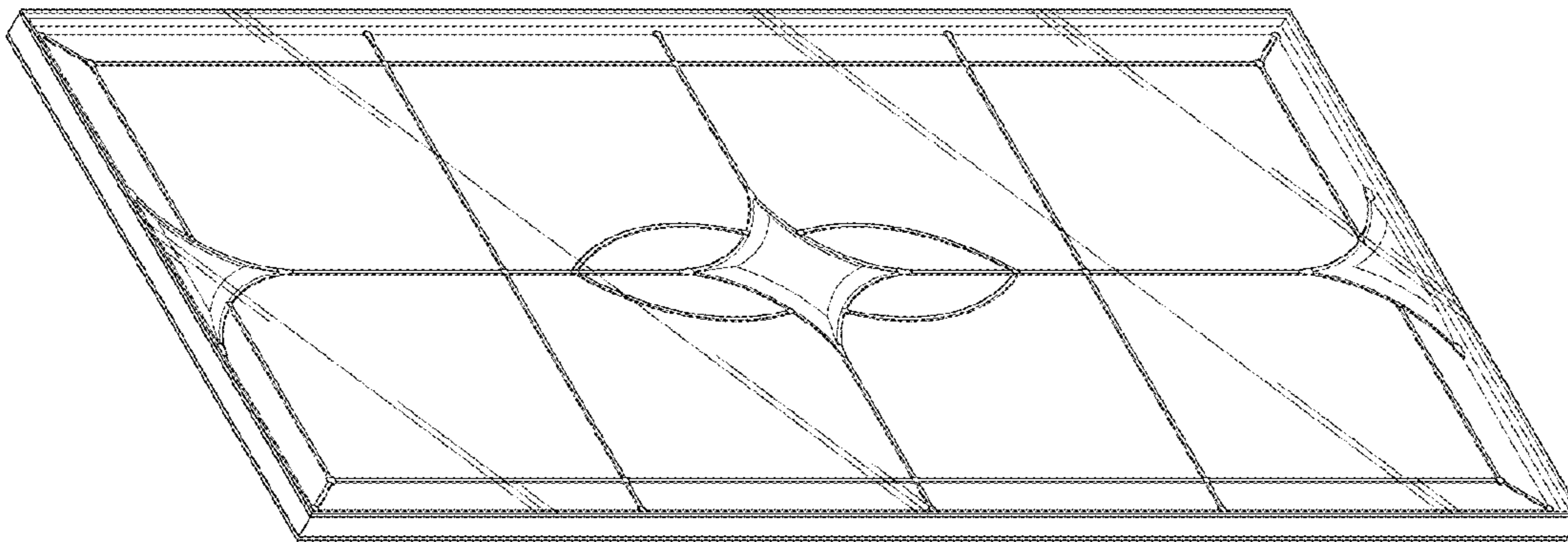


FIG. 7