



US00D959020S

(12) **United States Design Patent** (10) **Patent No.:** **US D959,020 S**
Fernandez (45) **Date of Patent:** **** Jul. 26, 2022**

(54) **COFFEE SHOP HOUSING**

FOREIGN PATENT DOCUMENTS

(71) Applicant: **LA CAFETERA, INC.**, Hialeah, FL
(US)

HU 92459-0001 * 4/2016
HU 92485-0001 * 10/2016

(Continued)

(72) Inventor: **John Fernandez**, Hialeah, FL (US)

OTHER PUBLICATIONS

(**) Term: **15 Years**

(21) Appl. No.: **29/725,813**

(22) Filed: **Feb. 27, 2020**

(51) **LOC (13) Cl.** **25-03**

(52) **U.S. Cl.**
USPC **D25/7; D25/10**

(58) **Field of Classification Search**
USPC D25/7, 8, 9, 10, 16, 23; D7/317, 318,
D7/319

CPC A47F 9/00; E04H 1/1222; A47G 19/02;
A47G 19/12; A47G 19/23; A47J 29/02;
A47J 36/16; A47J 43/0727; B65D
21/0233; B65D 25/20; B65D 41/34;
B65D 41/3428

See application file for complete search history.

Avanti Classic Pro Stovetop Coffee Maker, available in Amazon.com, date first available: Nov. 22, 2017 [online], [site visited: Nov. 29, 2021], Available from the internet URL: https://www.amazon.com.au/dp/B077P2F5YV/ref=cm_sw_em_r_mt_dp_9ZWWGD2V9ZHTRR68TMGM?encoding=UTF8&psc=1 (Year: 2017).*

(Continued)

Primary Examiner — Brett Miller
Assistant Examiner — Jasmine L. Comedy
(74) *Attorney, Agent, or Firm* — Sanchelima & Associates, P.A.; Christian Sanchelima

(56) **References Cited**

U.S. PATENT DOCUMENTS

D81,403 S * 6/1930 Rawlins D25/10
D82,865 S * 12/1930 Weaver D25/10
D98,372 S * 1/1936 Sisco D25/10
D107,561 S * 12/1937 Terrie D25/10
D257,313 S * 10/1980 Painter D7/317
D354,880 S * 1/1995 Huang D7/316
D399,384 S * 10/1998 Ranzoni D7/318
D504,046 S * 4/2005 Fuentes D7/316
D532,244 S * 11/2006 Ancona D7/318
D538,579 S * 3/2007 Ranzoni D7/317
D548,509 S * 8/2007 Ancona D7/317
D638,652 S * 5/2011 Arch D7/318
D640,085 S * 6/2011 Appleton D7/318
D644,866 S * 9/2011 Munro D7/317
D683,996 S * 6/2013 Sworder D7/317
D691,409 S * 10/2013 Dichraff D7/317
D718,566 S * 12/2014 Lu D7/319

(Continued)

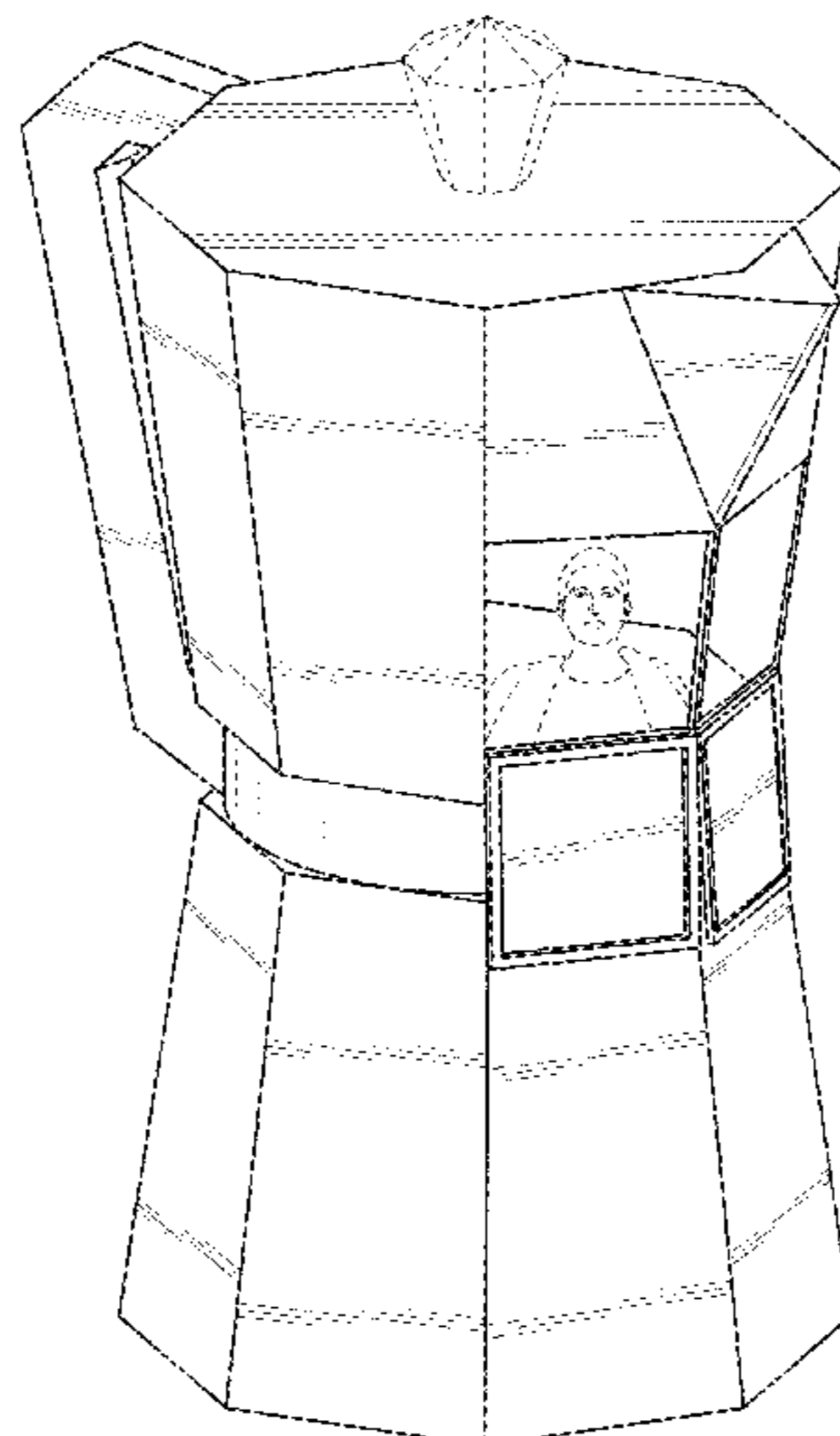
(57) **CLAIM**

The ornamental design for a coffee shop housing, as shown and described.

DESCRIPTION

FIG. 1 is an isometric view with the front flap mechanism of a coffee shop housing showing my new design; FIG. 2 is a front elevational view thereof; FIG. 3 is a rear elevational view thereof; FIG. 4 is a left side elevational view thereof; FIG. 5 is a right elevational view thereof; FIG. 6 is a top plan view thereof; and, FIG. 7 is a bottom plan view thereof showing my design. No claim is made to the user shown in broken lines or the diamond shaped handle, they are shown for environmental purposes only.

1 Claim, 7 Drawing Sheets



(56)

References Cited

U.S. PATENT DOCUMENTS

D718,567 S * 12/2014 Lu D7/319
D791,968 S * 7/2017 Brown D25/16
2007/0095961 A1* 5/2007 Lin A47J 43/0722
241/282.1

FOREIGN PATENT DOCUMENTS

HU 92485-0002 * 10/2016
TR 201105383-0001 * 8/2011

OTHER PUBLICATIONS

Italian Mocha Coffee Pots Octagonal Espresso Coffee Pot Aluminium (450ml), available in Amazon.com, date first available: Aug. 5, 2018 [online], [site visited: Nov. 29, 2021], Available from the internet URL: <https://www.amazon.co.uk/Italian-Coffee-Octagonal-Espresso-Aluminium/dp/B07G5W1YMC?th=1> (Year: 2018).*

The Coffee Pot House, available in website.com, announced Year 2010 [online], [site visited Nov. 30, 2021], Internet URL: <https://www.roadsideamerica.com/story/6174> (Year: 2010).*

The Coffee Pot, available in website.com, announced Year 2008 [online], [site visited Nov. 30, 2021], Internet URL: <https://commons.wikimedia.org/wiki/File:TheCoffeePot.jpg> (Year: 2008).*

* cited by examiner

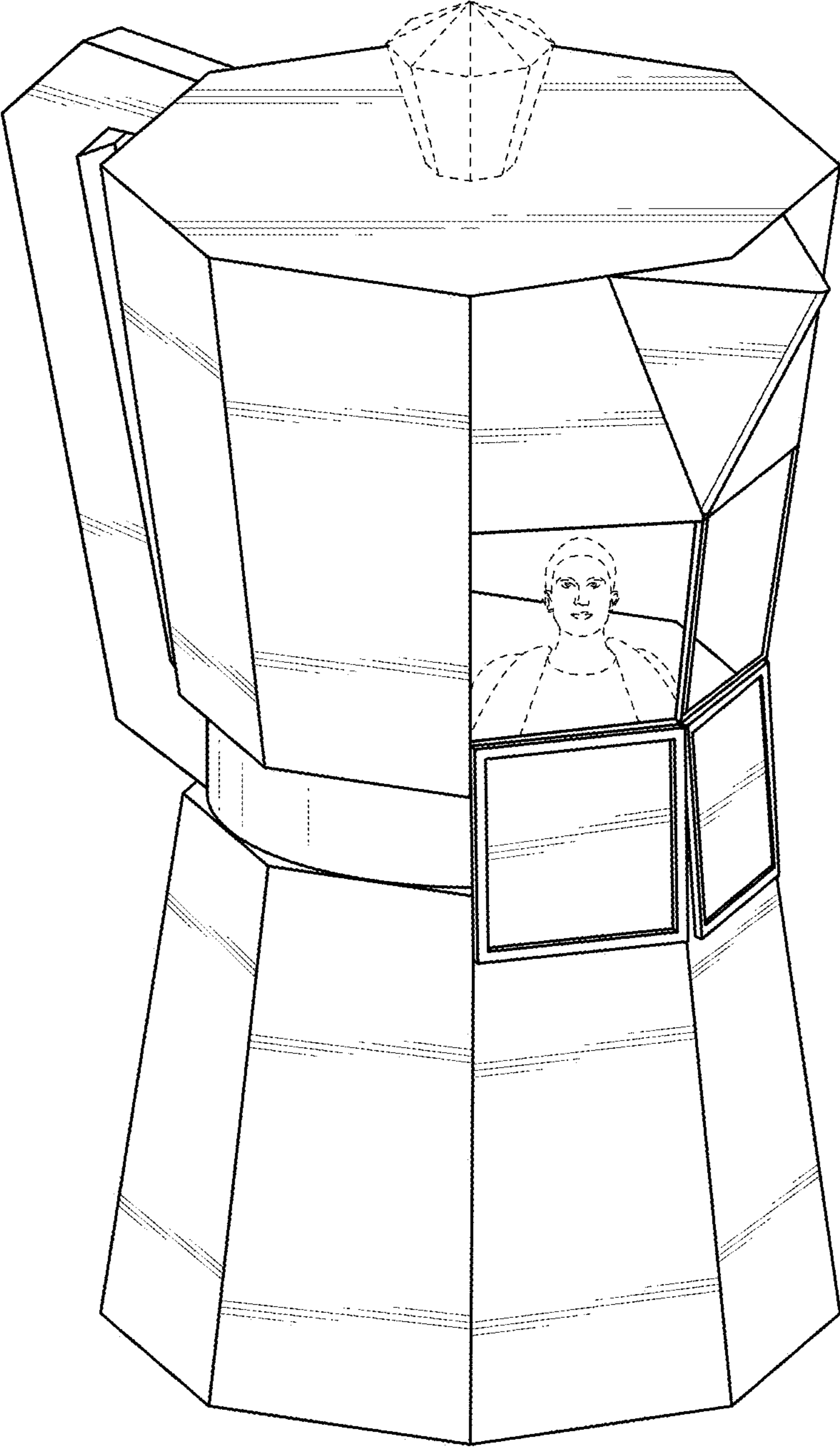


FIG. 1

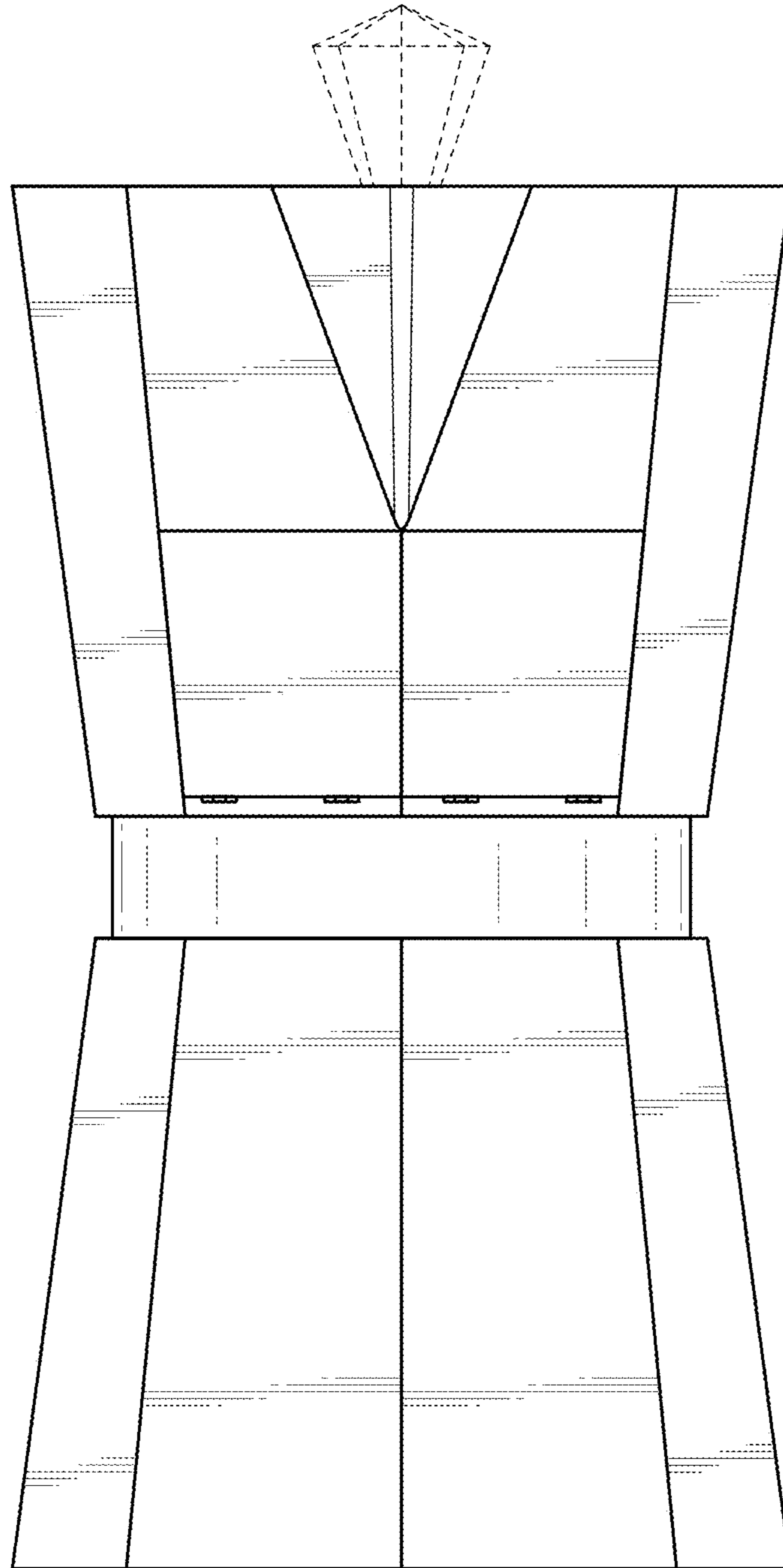


FIG. 2

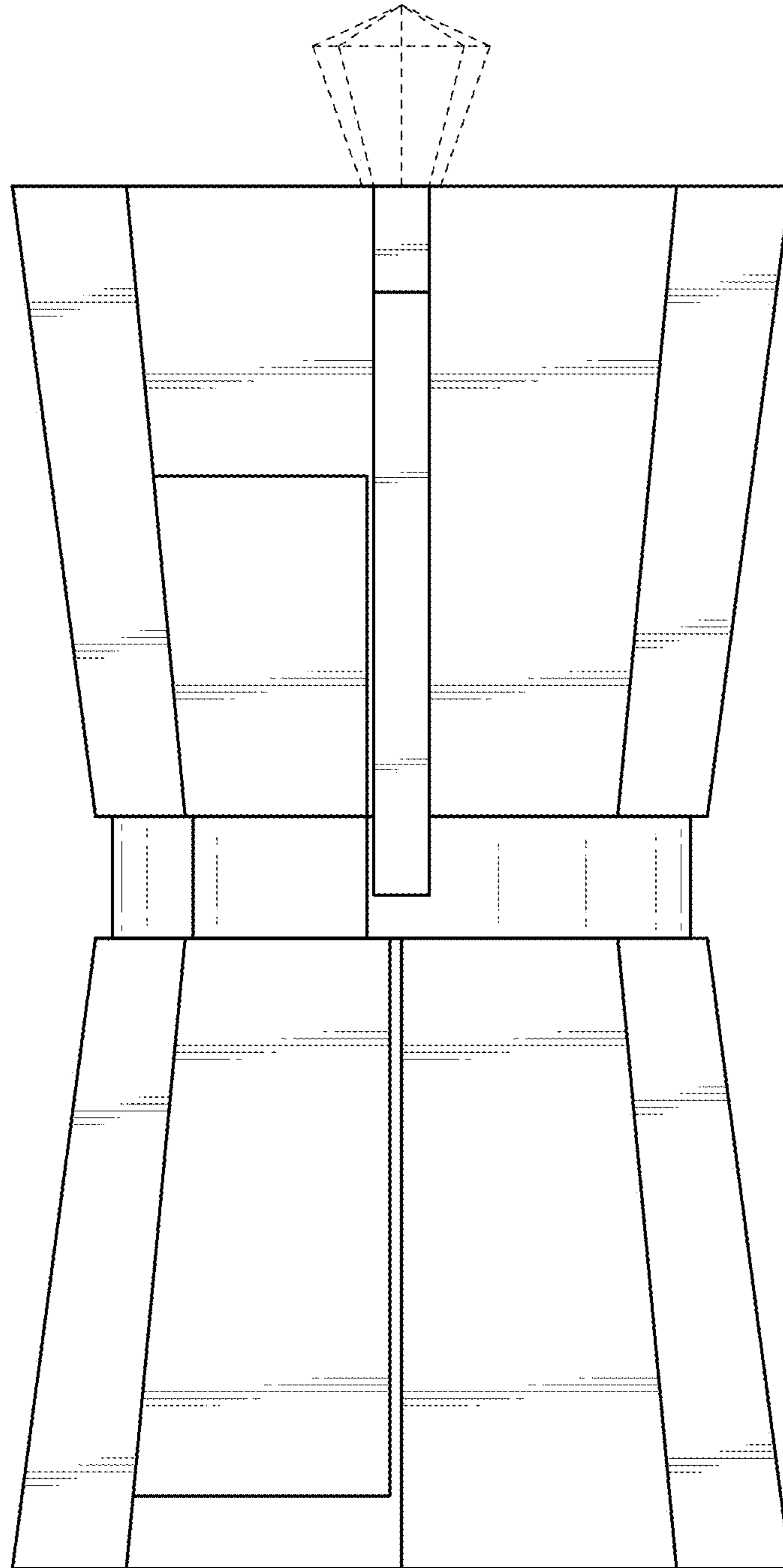


FIG. 3

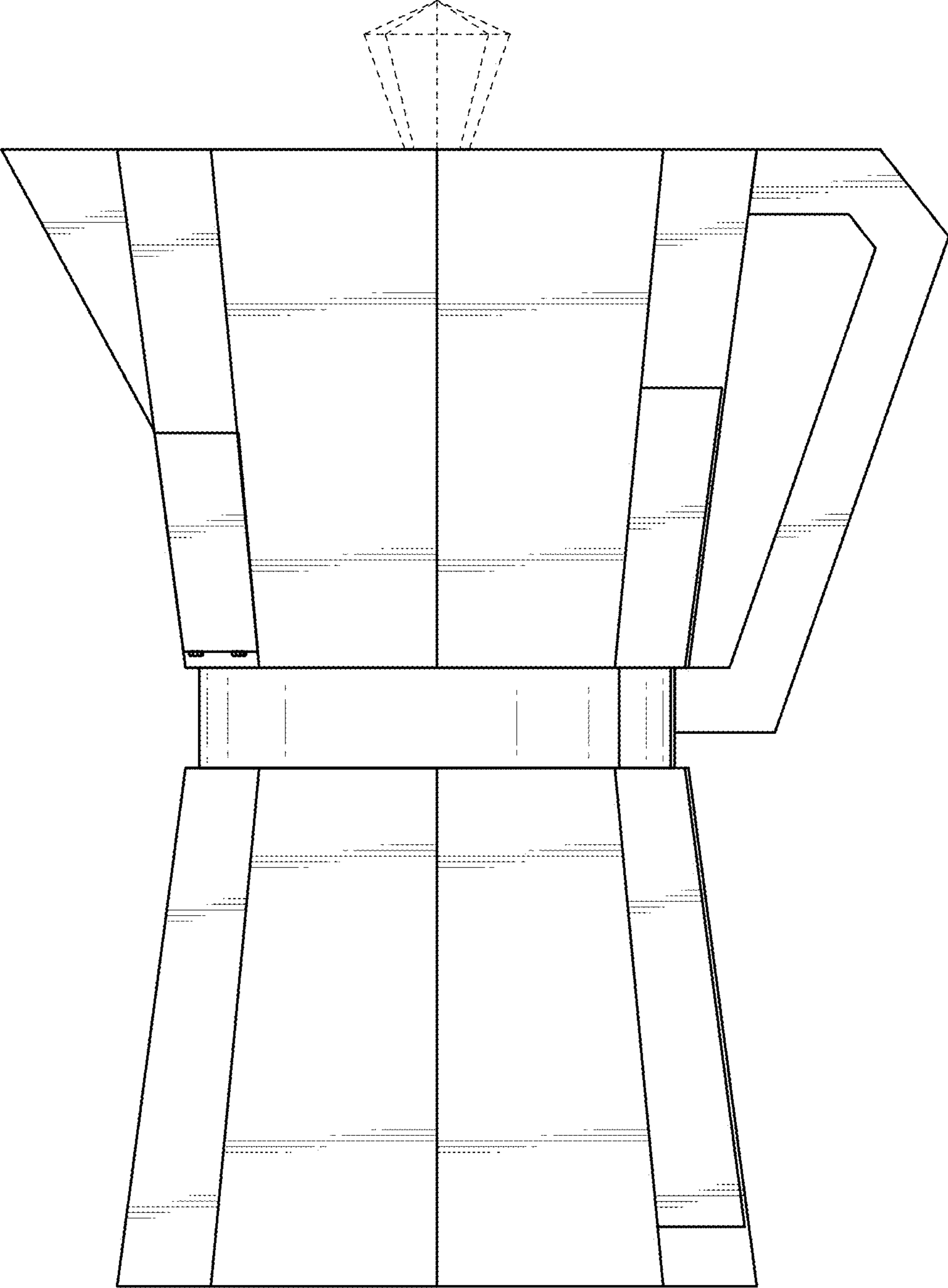


FIG. 4

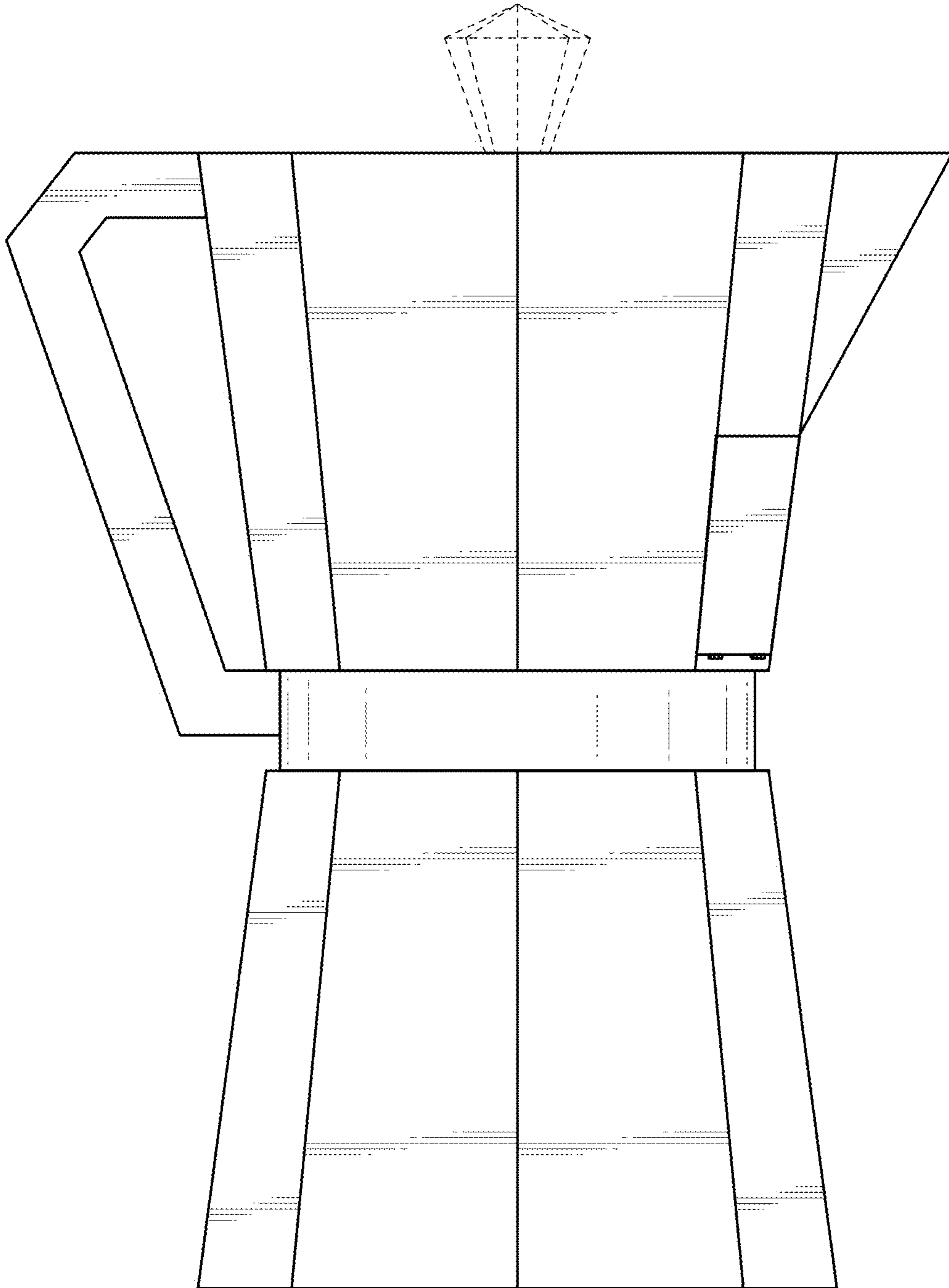


FIG. 5

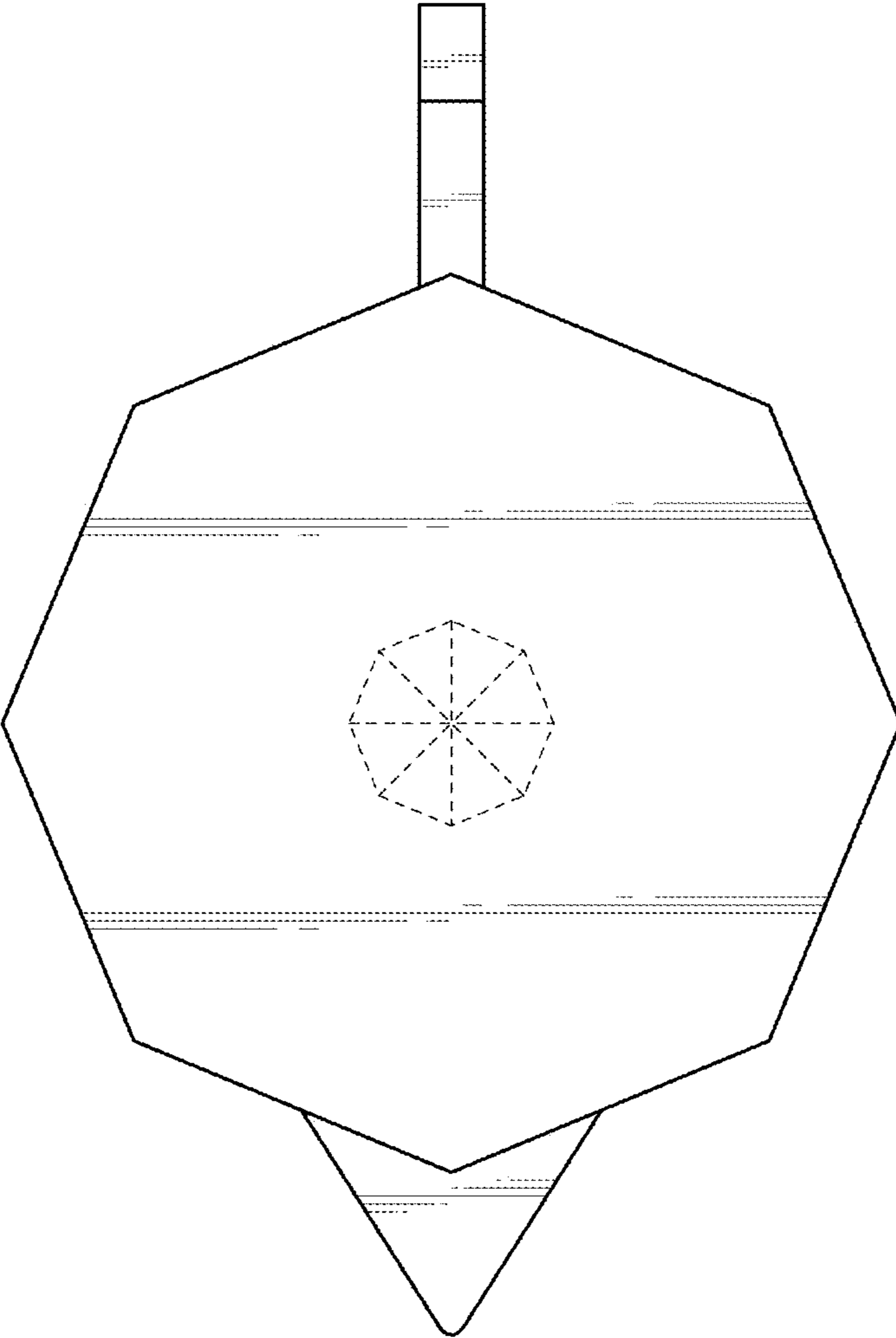


FIG. 6

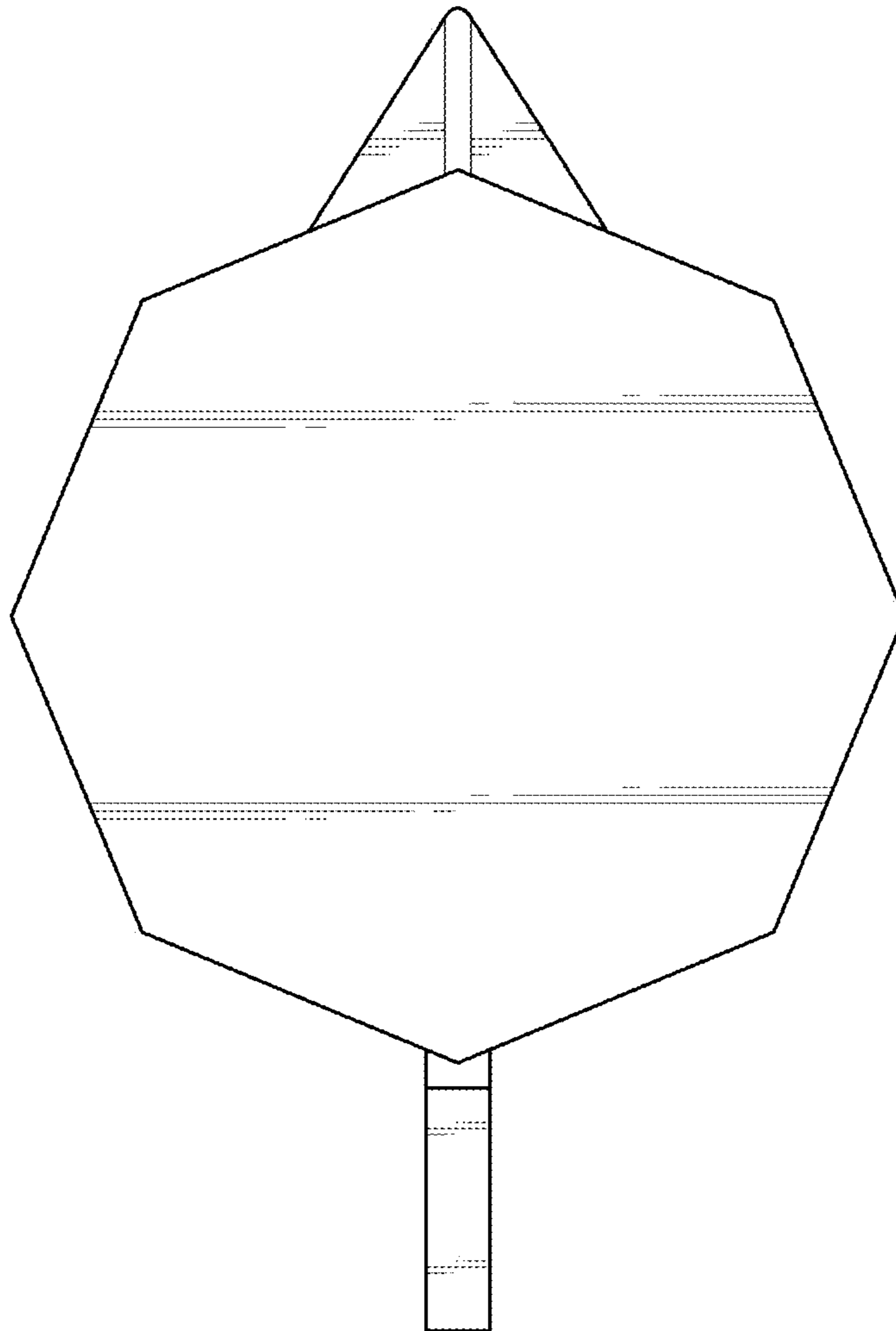


FIG. 7