



US00D959018S

(12) **United States Design Patent** (10) **Patent No.:** **US D959,018 S**
Livingston et al. (45) **Date of Patent:** **** Jul. 26, 2022**

(54) **REAGENT PLATE**

FOREIGN PATENT DOCUMENTS

(71) Applicant: **Becton, Dickinson and Company**,
Franklin Lakes, NJ (US)

CN 202030244179.1 * 5/2021
EM 003342732-0016 8/2016

(Continued)

(72) Inventors: **Dwight Livingston**, Fallston, MD (US);
Brian A. Self, Monkton, MD (US);
Alyssa Shedlosky, Owings Mills, MD (US)

OTHER PUBLICATIONS

Reagent plate and foil. Online, published date unknown. Retrieved on Jan. 3, 2022 from URL: <https://www.cytivalifesciences.com/en/us/shop/protein-analysis/spr-label-free-analysis/spr-consumables/accessories-microplates-and-foil/reagent-plate-and-foil-p-05870>.*

(Continued)

(73) Assignee: **Becton, Dickinson and Company**,
Franklin Lakes, NJ (US)

(**) Term: **15 Years**

Primary Examiner — Omeed Agilee

(21) Appl. No.: **29/785,823**

(74) *Attorney, Agent, or Firm* — Lerner, David,
Littenberg, Krumholz & Mentlik, LLP

(22) Filed: **May 27, 2021**

Related U.S. Application Data

(62) Division of application No. 29/697,637, filed on Jul. 10, 2019, now Pat. No. Des. 923,815.

(51) **LOC (13) Cl.** **24-02**

(52) **U.S. Cl.**

USPC **D24/226**

(58) **Field of Classification Search**

USPC D24/216, 223-230; D3/203.1, 203.3
CPC A61B 5/150343; B01D 9/00; B01L 3/06;
B01L 3/502; B01L 3/5025

See application file for complete search history.

(56) **References Cited**

U.S. PATENT DOCUMENTS

D224,671 S * 8/1972 Eddy D24/229
D242,654 S 12/1976 Rawls
D252,105 S 6/1979 Baxter
D252,106 S 6/1979 Baxter
D253,071 S 10/1979 Montez
D260,428 S 8/1981 Fekete
D264,245 S 5/1982 Olsen
D297,914 S 10/1988 Goodman
5,147,609 A 9/1992 Grenner

(Continued)

(57) **CLAIM**

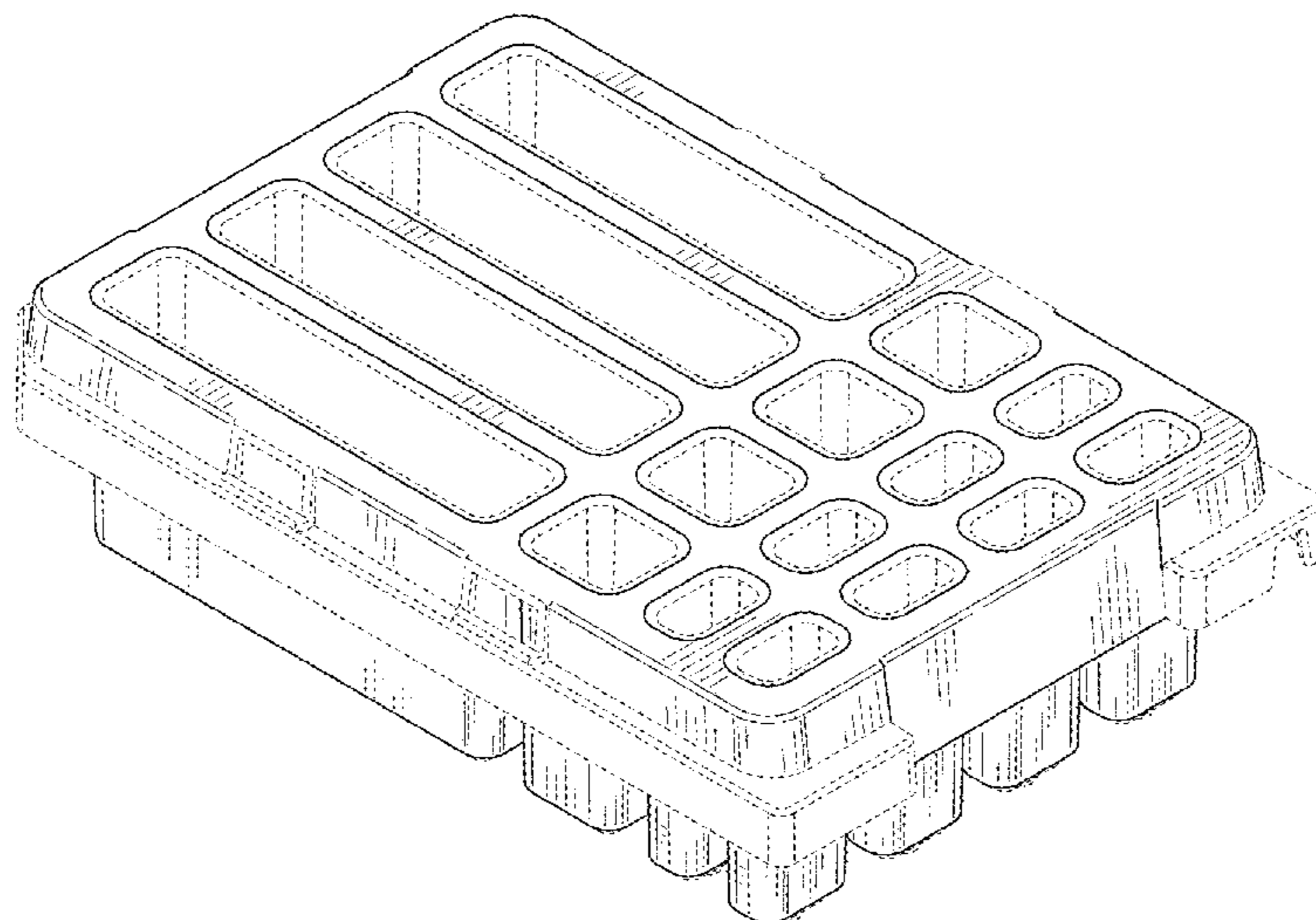
The ornamental design for a reagent plate, as shown and described.

DESCRIPTION

FIG. 1 is a front perspective view of a reagent plate according to our design;
FIG. 2 is a front elevation view thereof;
FIG. 3 is a rear elevation view thereof;
FIG. 4 is a left side elevation view thereof;
FIG. 5 is a right side elevation view thereof;
FIG. 6 is a top plan view thereof;
FIG. 7 is a bottom plan view thereof;
FIG. 8 is a rear bottom perspective view thereof; and,
FIG. 9 is a cross-sectional view taken along line 9-9 of FIG. 6.

The broken lines, the areas within them, and the unshaded areas surrounded by both broken lines and solid lines depict portions of the reagent plate that form no part of the claimed design.

1 Claim, 7 Drawing Sheets



(56)

References Cited

U.S. PATENT DOCUMENTS

D338,965 S 8/1993 Glanz et al.
 D369,469 S * 5/1996 Gregory D3/313
 5,665,558 A 9/1997 Frame et al.
 5,788,928 A 8/1998 Carey et al.
 5,962,250 A 10/1999 Gavin et al.
 D420,743 S 2/2000 Monks
 6,190,619 B1 2/2001 Kilcoin et al.
 6,190,878 B1 2/2001 Pierson et al.
 D438,632 S 3/2001 Miller
 D438,633 S 3/2001 Miller
 D492,419 S 6/2004 Farina
 6,943,009 B2 9/2005 Lacey et al.
 7,128,878 B2 10/2006 Muser
 D534,658 S 1/2007 Bargh
 D546,966 S 7/2007 Kajiyama et al.
 D596,758 S * 7/2009 Constable D24/230
 D598,128 S 8/2009 Pihl et al.
 D598,566 S 8/2009 Allaer
 D601,713 S 10/2009 Lohn et al.
 D618,820 S 6/2010 Wilson et al.
 D620,603 S 7/2010 Talmer et al.
 D624,194 S 9/2010 Pack et al.
 D628,306 S * 11/2010 Blanc D24/230
 7,922,986 B2 4/2011 Byrnard et al.
 D657,473 S 4/2012 Miyashita et al.
 D669,597 S 10/2012 Cavada et al.
 D672,395 S 12/2012 Chuang
 D672,881 S 12/2012 Kraihanzel
 D673,293 S 12/2012 Demas et al.
 D674,112 S 1/2013 Demas et al.
 D696,419 S 12/2013 Fusellier et al.
 D699,371 S 2/2014 Williams et al.
 8,663,582 B2 3/2014 Kuan et al.

D728,818 S 5/2015 Burroughs et al.
 D729,942 S 5/2015 Keizer et al.
 D732,186 S 6/2015 Burroughs et al.
 D732,187 S 6/2015 Houkal et al.
 9,084,996 B2 7/2015 Chien et al.
 D767,409 S 9/2016 Nickell
 D786,448 S 5/2017 Ohsaka et al.
 D792,981 S 7/2017 Tajima
 D800,338 S 10/2017 Black
 D808,039 S 1/2018 Self et al.
 D832,456 S 10/2018 Self et al.
 D838,380 S 1/2019 Livingston et al.
 D844,806 S * 4/2019 Johns D24/227
 D871,234 S 12/2019 Grove
 D918,417 S * 5/2021 O'Mahony D24/229
 D923,815 S * 6/2021 Livingston D24/226
 D932,052 S * 9/2021 Zergiebel D24/229
 D935,051 S * 11/2021 Hendrikx D24/227
 2005/0136546 A1 6/2005 Berndt et al.
 2005/0226786 A1 10/2005 Hager et al.
 2014/0361022 A1 12/2014 Finneran

FOREIGN PATENT DOCUMENTS

EM 003342732-0017 8/2016
 EM 003372614-0007 9/2016
 EM 003372614-0008 9/2016
 EM 003372614-0009 9/2016

OTHER PUBLICATIONS

Design U.S. Appl. No. 29/564,504, filed May 13, 2016 (Self, et al.).
 Design U.S. Appl. No. 29/575,812, filed Aug. 29, 2016 (Self, et al.).
 Design U.S. Appl. No. 29/627,919, filed Nov. 30, 2017 (Self et al.).

* cited by examiner

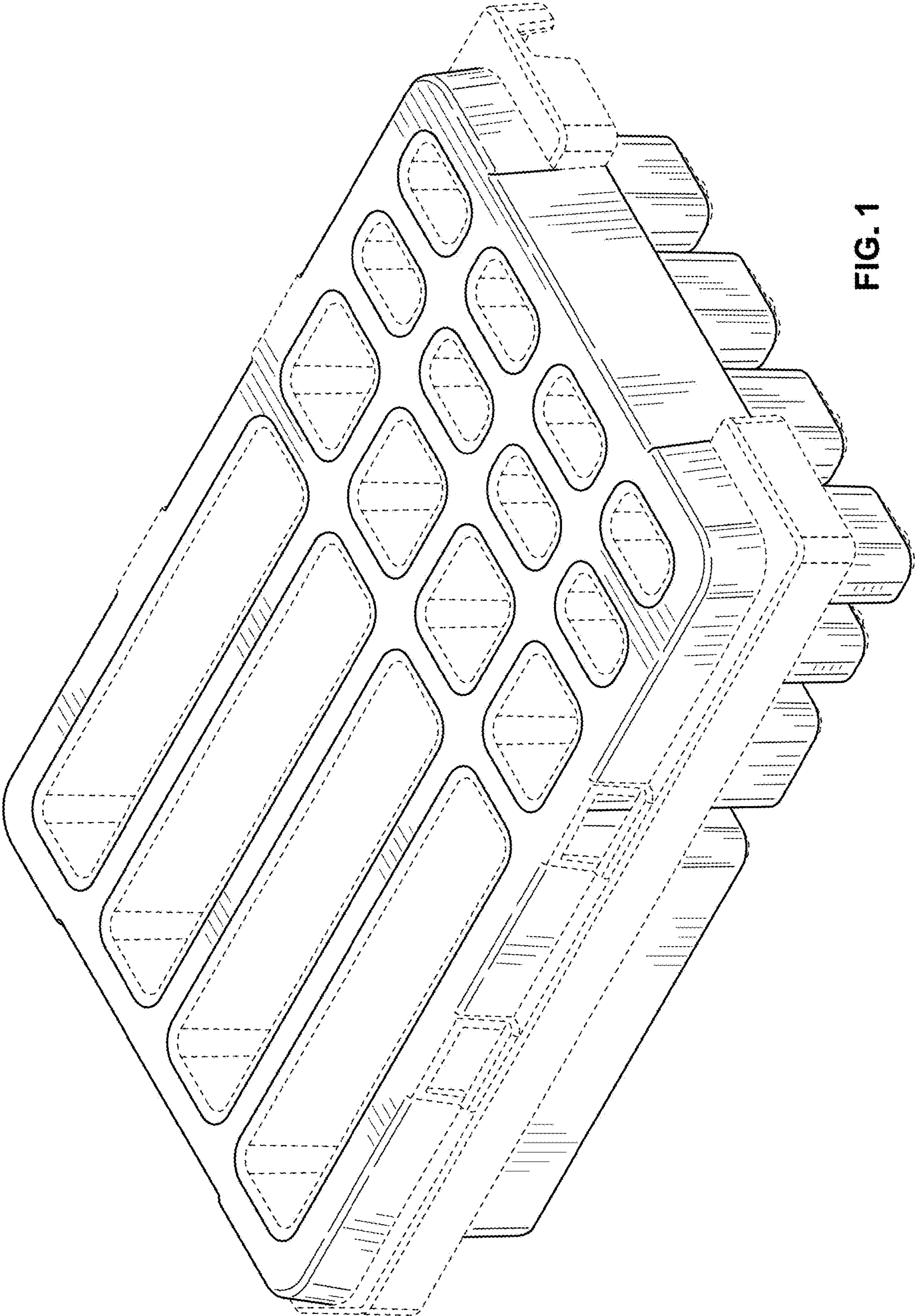


FIG. 1

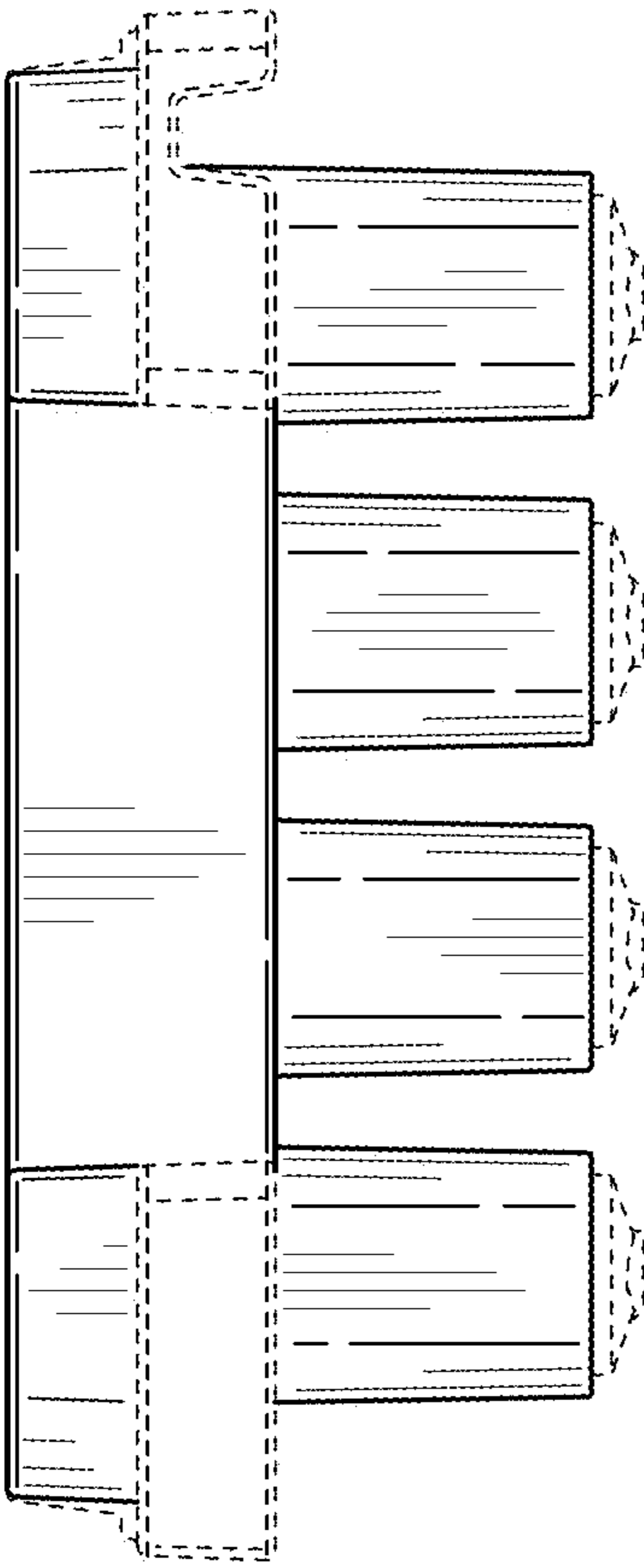


FIG. 2

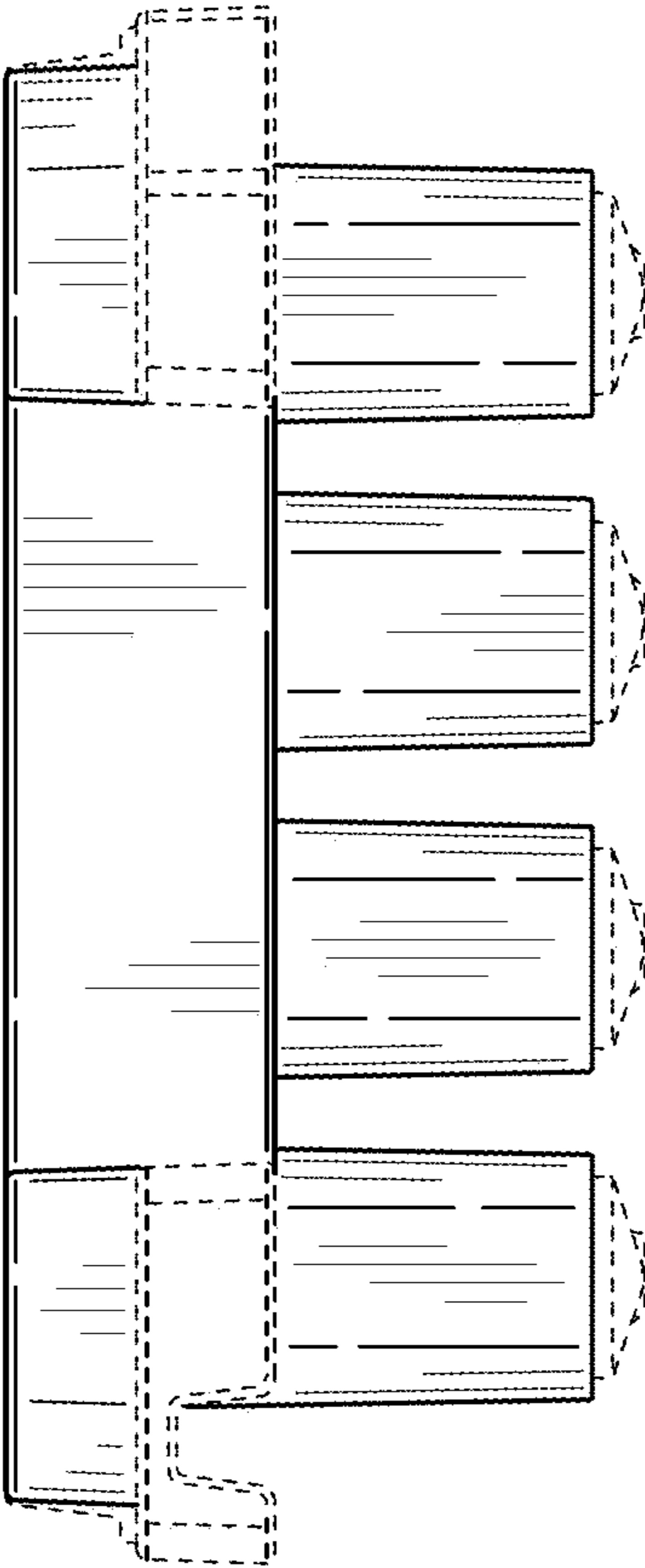


FIG. 3

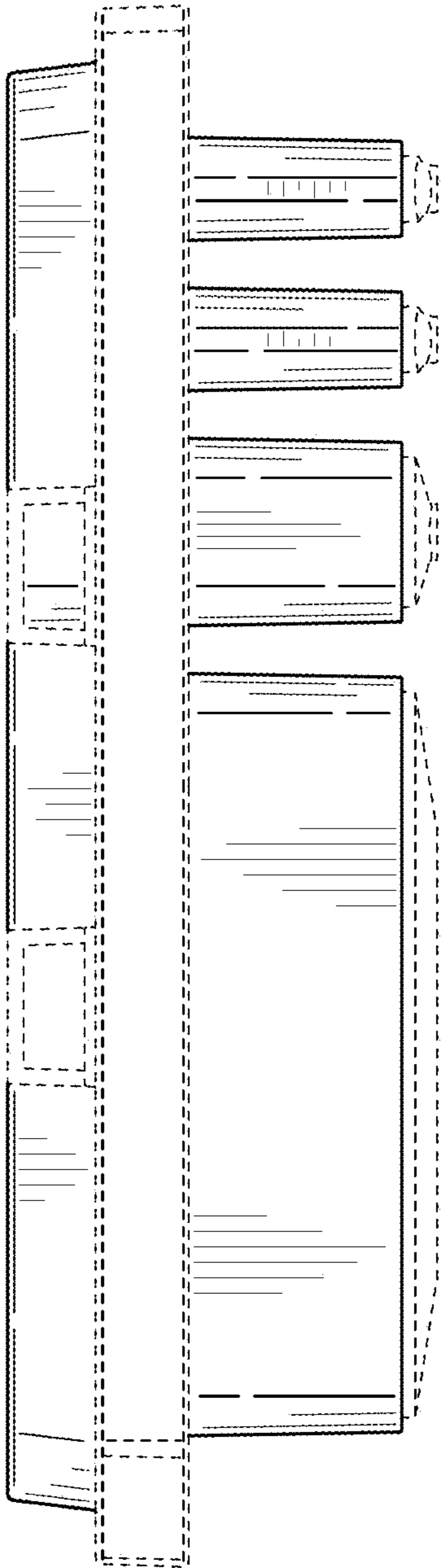


FIG. 4

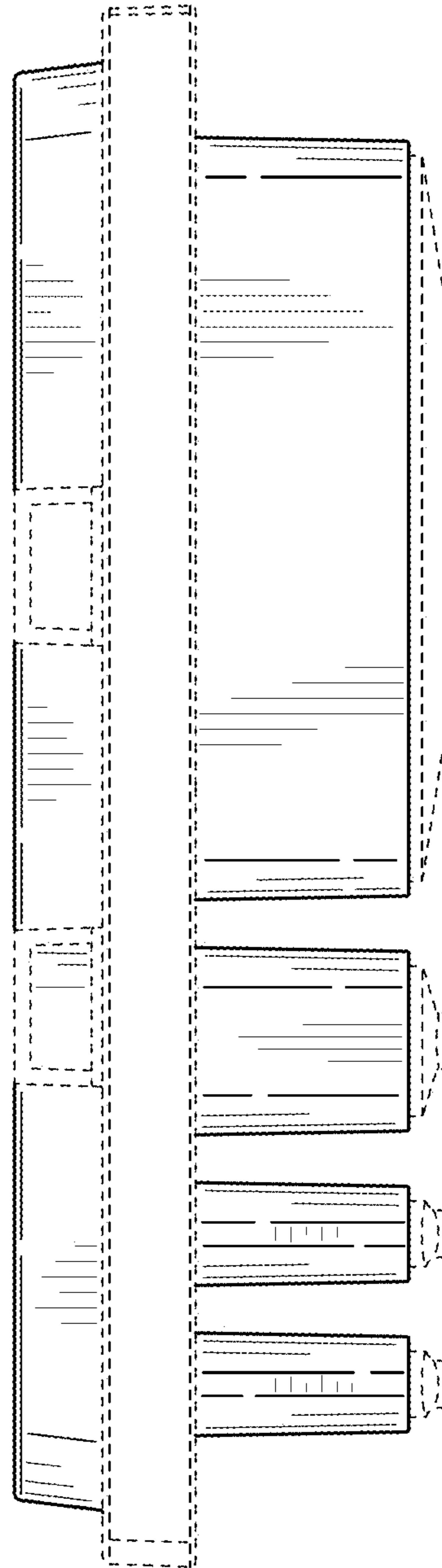


FIG. 5

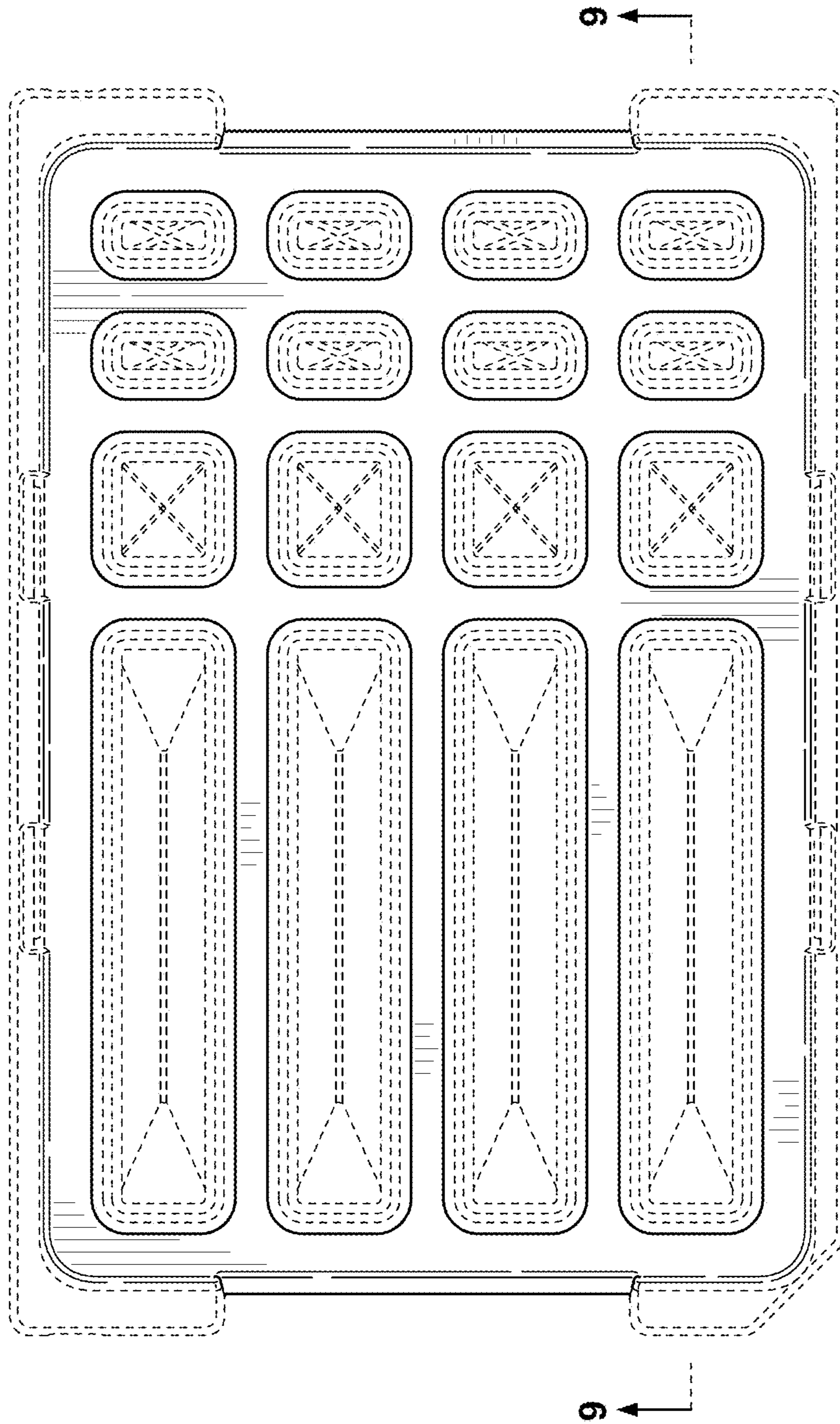


FIG. 6

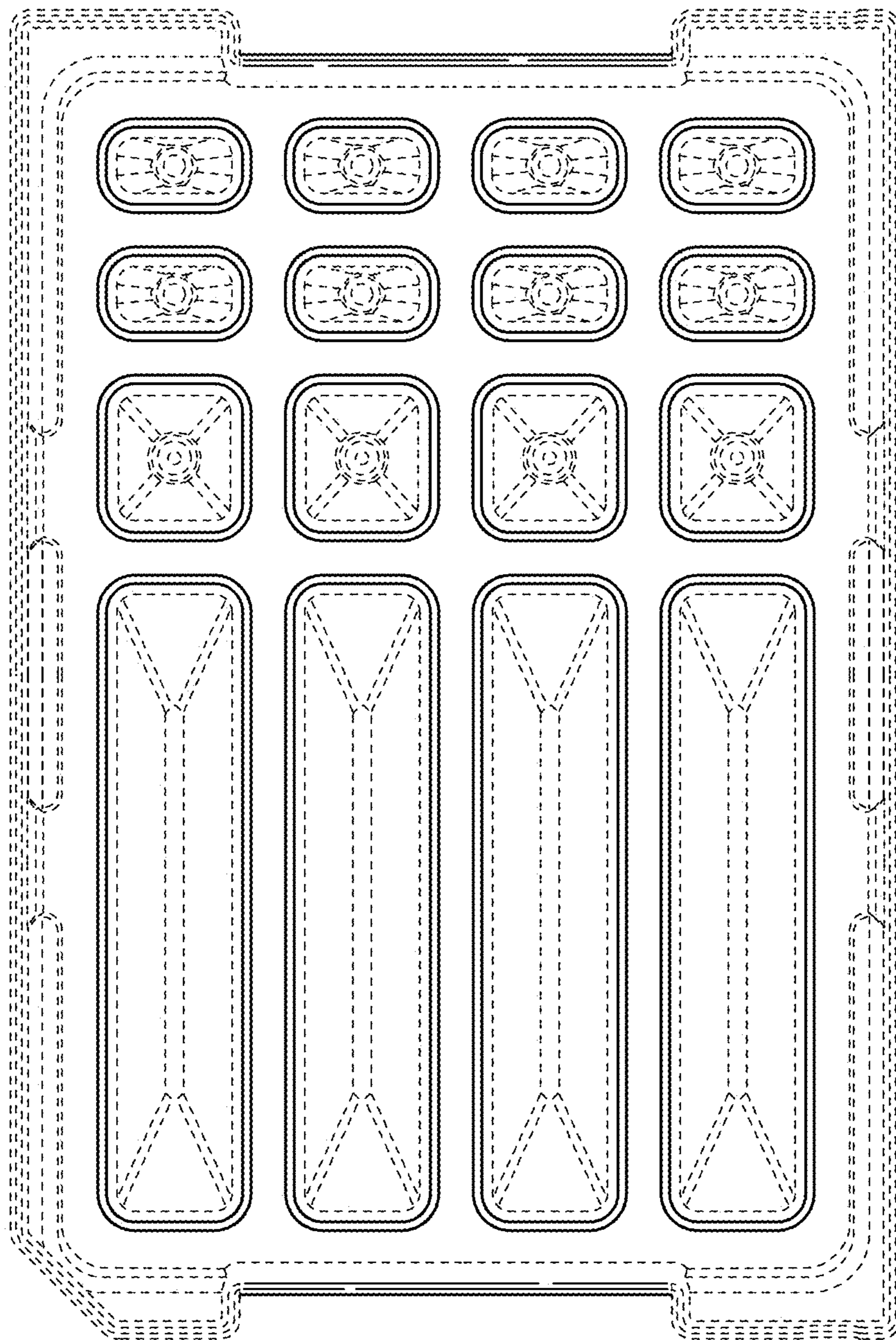


FIG. 7

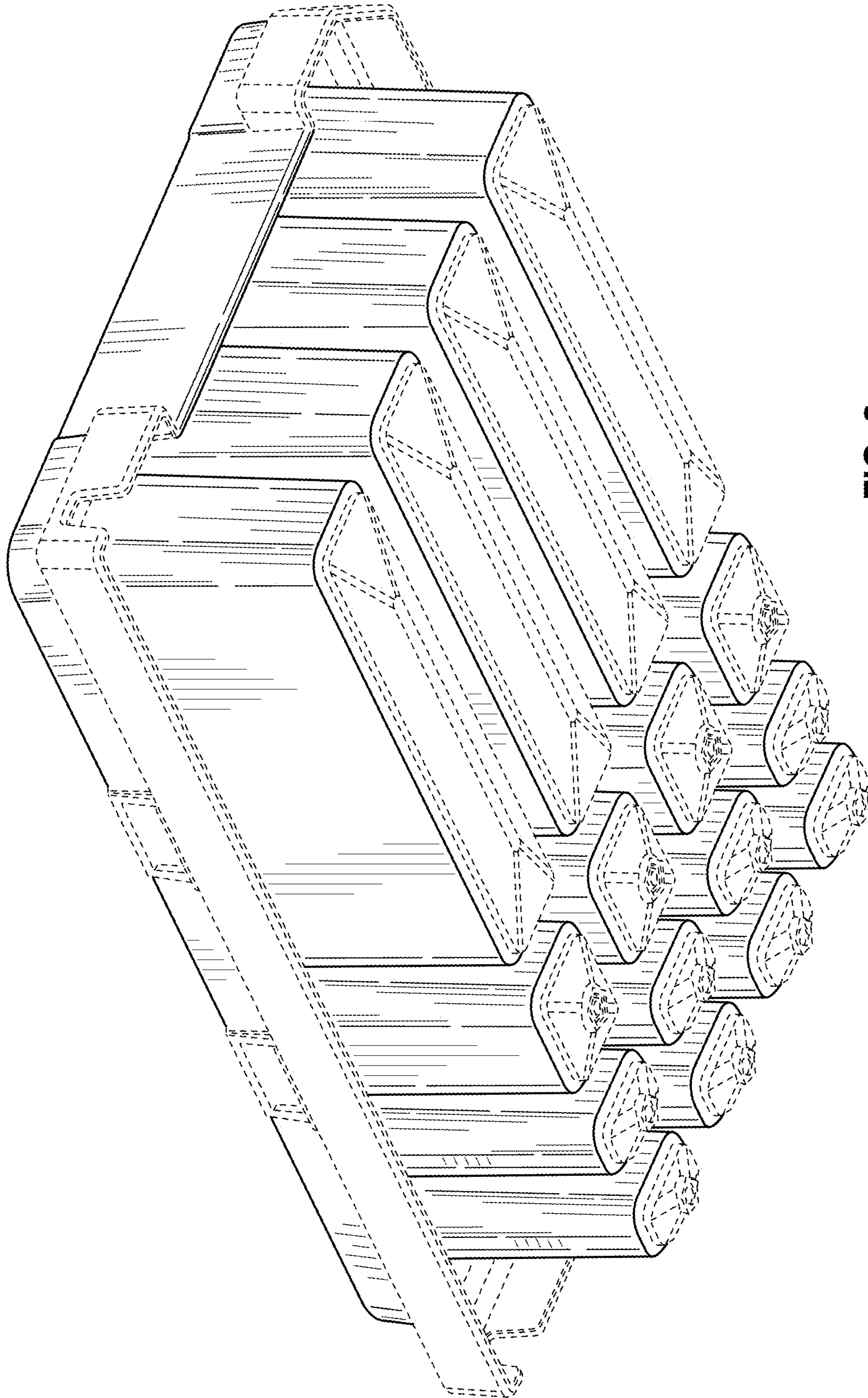


FIG. 8

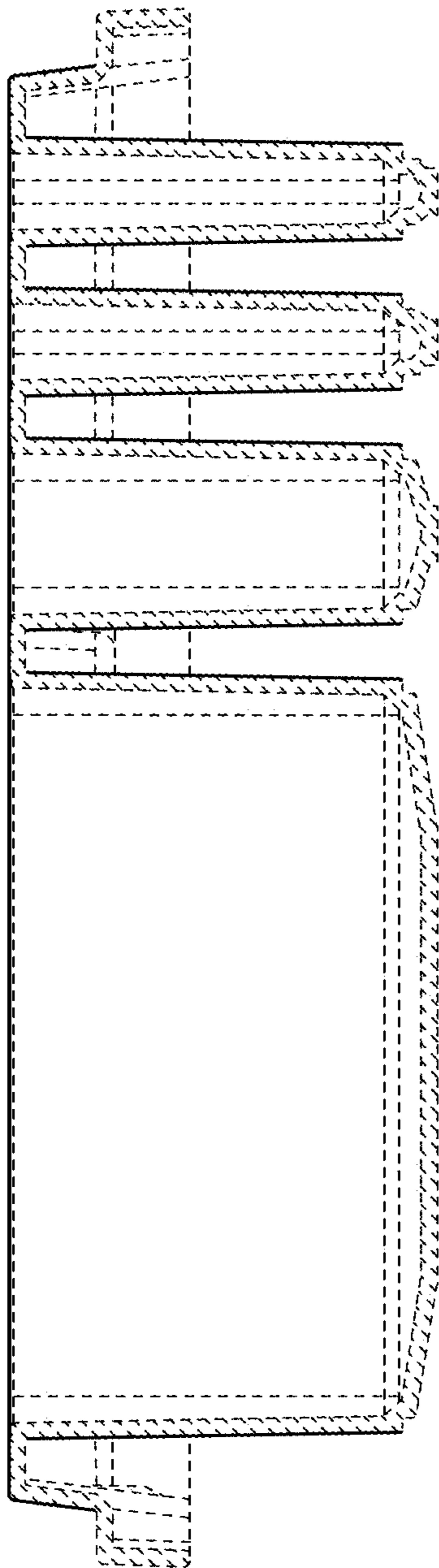


FIG. 9