



US00D959017S

(12) **United States Design Patent**
Ohsaka et al.

(10) **Patent No.:** **US D959,017 S**
(45) **Date of Patent:** **** Jul. 26, 2022**

(54) **CONTAINER FOR CELL OBSERVATION**

(57) **CLAIM**

(71) Applicant: **TOKYO OHKA KOGYO CO., LTD.**,
Kanagawa (JP)

The ornamental design for a container for cell observation,
as shown and described.

(72) Inventors: **Takashi Ohsaka**, Kanagawa (JP);
Akimasa Nakamura, Kanagawa (JP)

(73) Assignee: **Tokyo Ohka Kogyo Co., Ltd.**,
Kawasaki (JP)

DESCRIPTION

(**) Term: **15 Years**

FIG. 1 is a perspective view of a first embodiment of a
container for cell observation.

(21) Appl. No.: **29/729,538**

FIG. 2 is another perspective view thereof.

(22) Filed: **Mar. 27, 2020**

FIG. 3 is a front elevation view thereof.

(30) **Foreign Application Priority Data**

Sep. 30, 2019 (JP) 2019-021906
Sep. 30, 2019 (JP) 2019-021907

FIG. 4 is a top plan view thereof.

(51) **LOC (13) Cl.** **24-02**

FIG. 5 is a bottom plan view thereof.

(52) **U.S. Cl.**
USPC **D24/224**

FIG. 6 is a left side elevation view thereof.

(58) **Field of Classification Search**
USPC D24/216, 222–226, 231, 232;
D3/203.1–203.8, 315; D9/503, 504, 505,
D9/520, 529, 549; D10/81

FIG. 7 is a cross sectional view taken along line 7-7 in FIG.
4.

(Continued)

FIG. 8 is a magnified cross sectional view taken along line
8-8 in FIG. 4.

(56) **References Cited**

U.S. PATENT DOCUMENTS

D609,000 S * 2/2010 Portney D3/203.2
D669,589 S * 10/2012 Delaey D24/169

FIG. 9 is a magnified view of area 9 circled in FIG. 7.

(Continued)

FIG. 10 is a perspective cross sectional view taken along line
10-10 in FIG. 4.

FOREIGN PATENT DOCUMENTS

JP D2020-19278 * 5/2021

FIG. 11 is a perspective view of a second embodiment of a
container for cell observation.

Primary Examiner — Omeed Agilee

(74) *Attorney, Agent, or Firm* — Knobbe, Martens, Olson
& Bear, LLP

FIG. 12 is another perspective view thereof.

FIG. 13 is a front elevation view thereof.

FIG. 14 is a top plan view thereof.

FIG. 15 is a bottom plan view thereof.

FIG. 16 is a left side elevation view thereof.

FIG. 17 is a cross sectional view taken along line 17-17 in
FIG. 14.

FIG. 18 is a magnified cross sectional view taken along line
18-18 in FIG. 14.

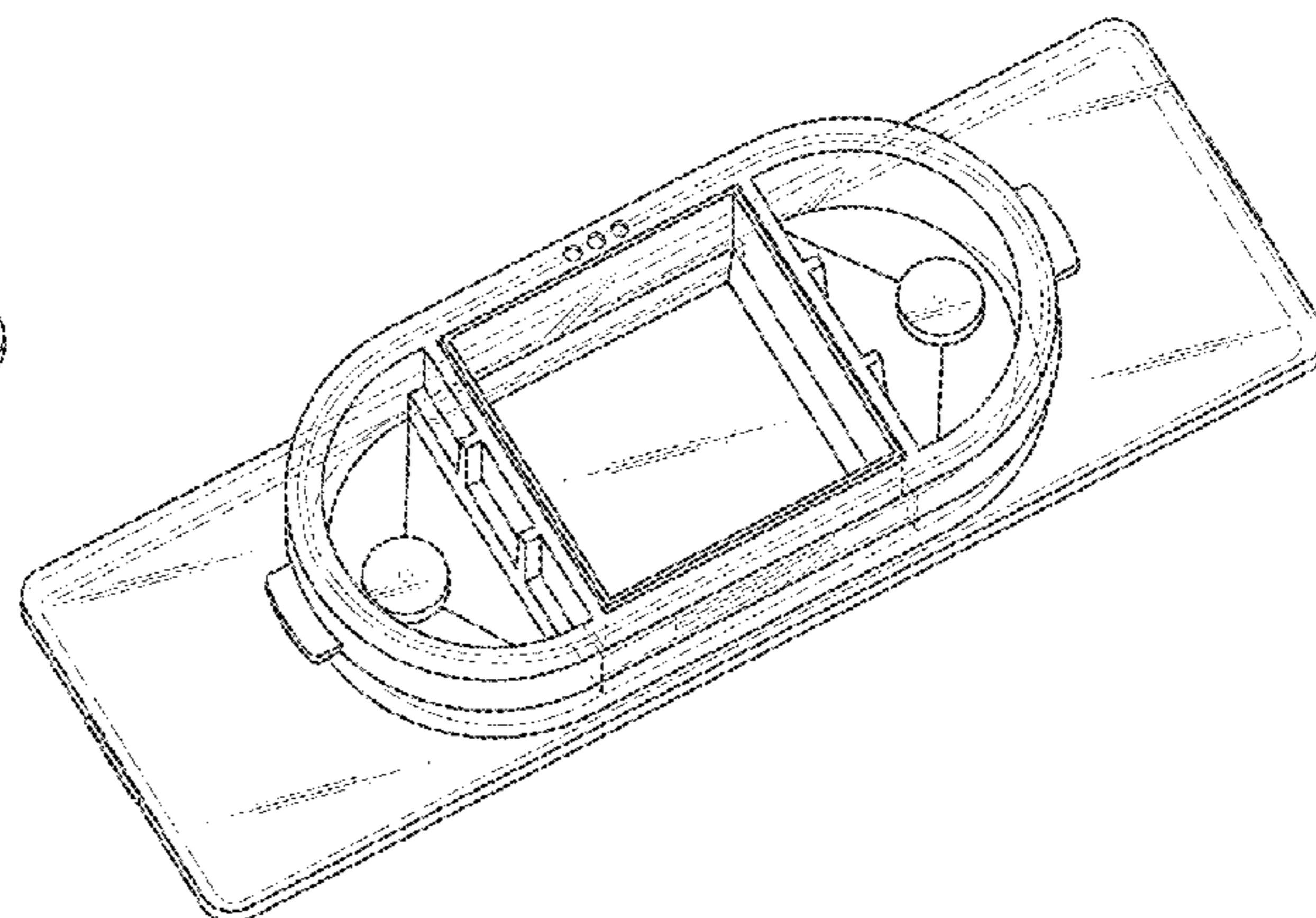
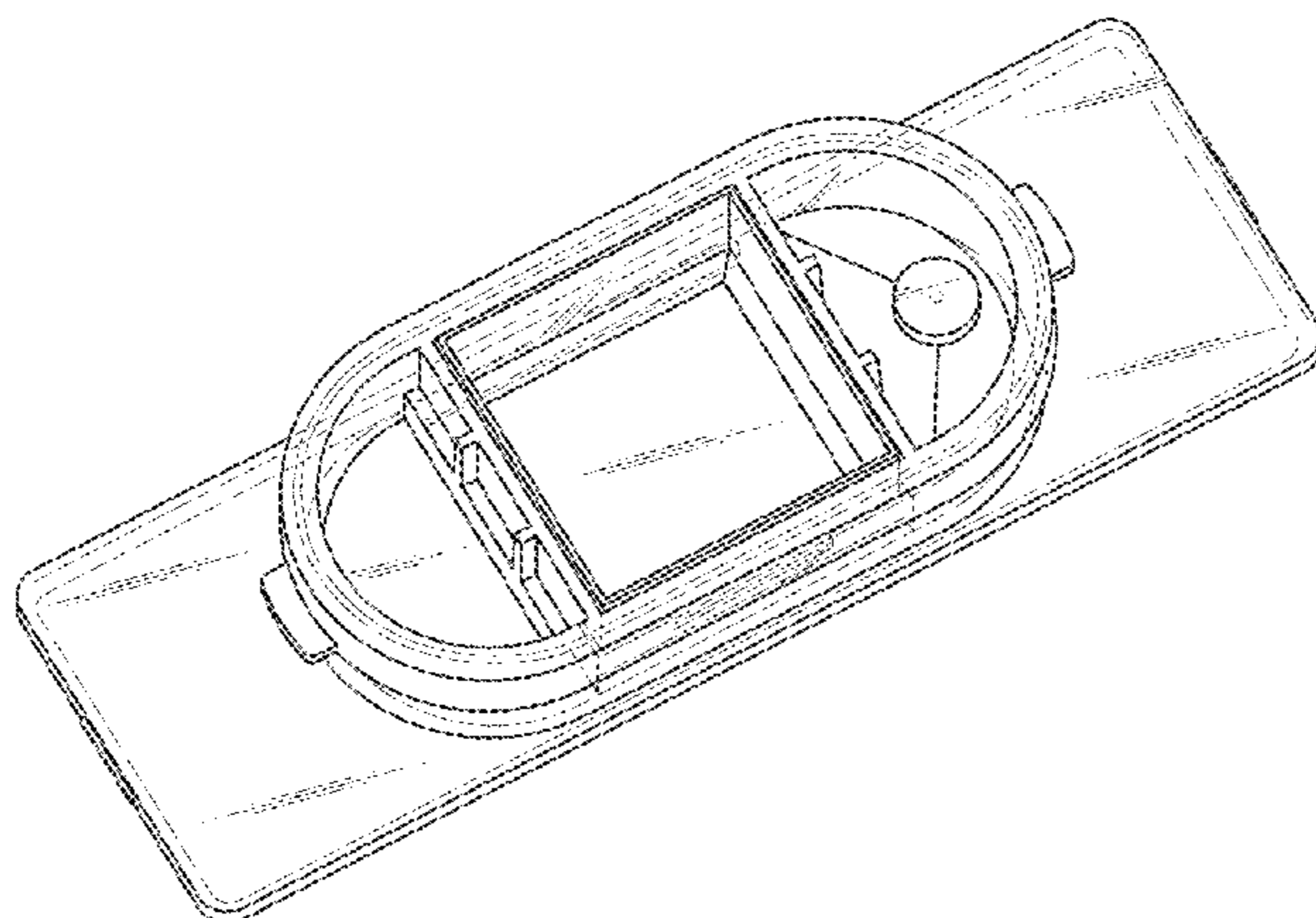
FIG. 19 is a magnified view of area 19 circled in FIG. 17;
and,

FIG. 20 is a perspective cross sectional view taken along line
20-20 in FIG. 14.

The dash-dot lines depict the boundary of the magnified
view and form no part of the claimed design.

The broken lines in the drawings depict portions of the
container for cell observation that form no part of the
claimed design.

1 Claim, 20 Drawing Sheets



(58) **Field of Classification Search**

CPC G01N 35/1002; G01N 21/6456; G01N
21/6458; G01N 21/631; B65D 47/0857;
C12M 25/14; G21K 2201/06; G21K
2201/067

See application file for complete search history.

(56) **References Cited**

U.S. PATENT DOCUMENTS

D681,843 S * 5/2013 Nemeth B01L 3/502
D24/224
D874,959 S * 2/2020 Buie D10/96
D888,273 S * 6/2020 Thompson, II D24/224
D911,021 S * 2/2021 Al-Bayati D3/203.2
D914,357 S * 3/2021 Chen D3/203.3
D925,061 S * 7/2021 Darbyshire D24/224
2017/0058257 A1* 3/2017 Levner A01N 1/0247
2019/0223846 A1* 7/2019 Kerkhof A61B 10/04

* cited by examiner

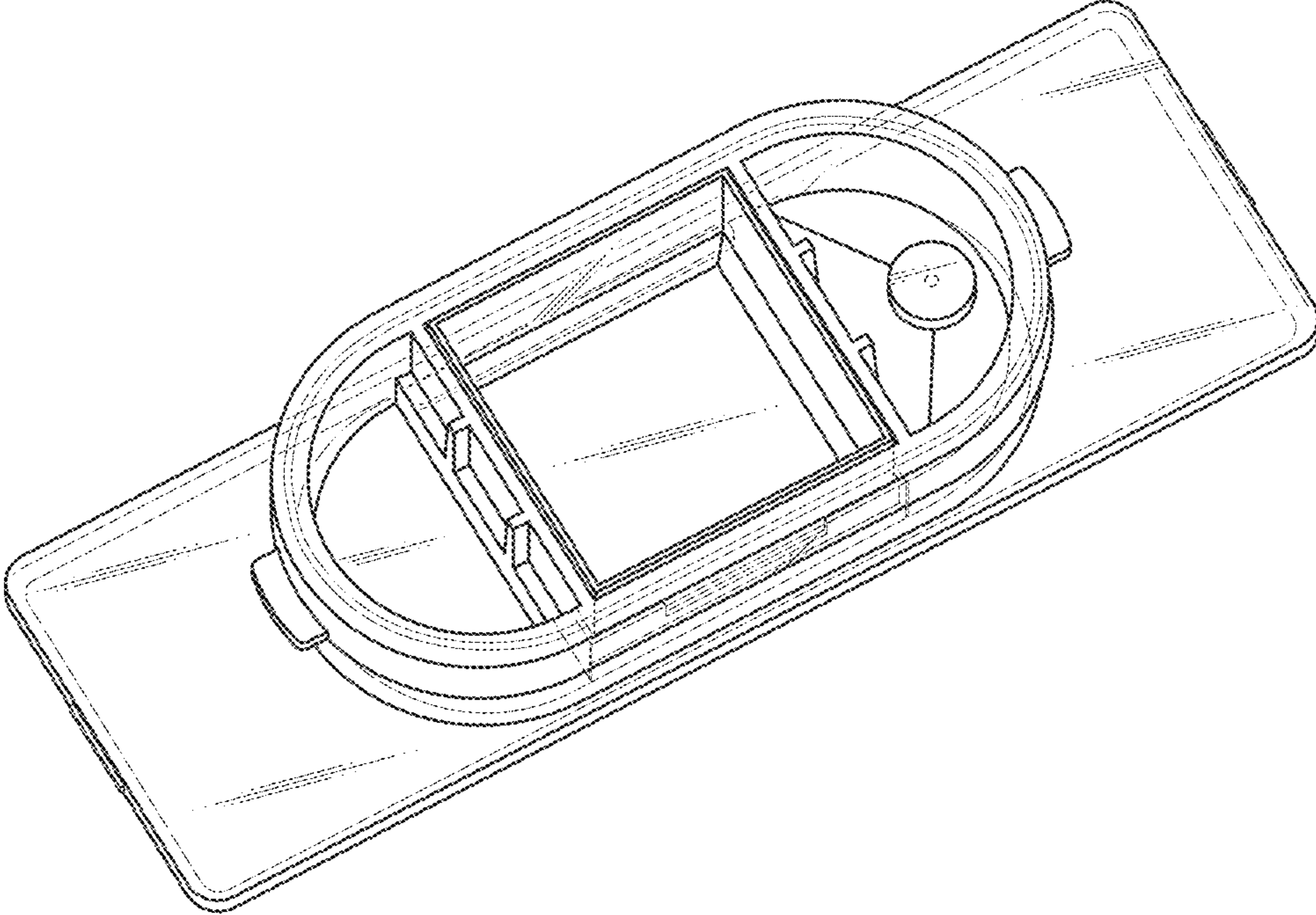


FIG. 1

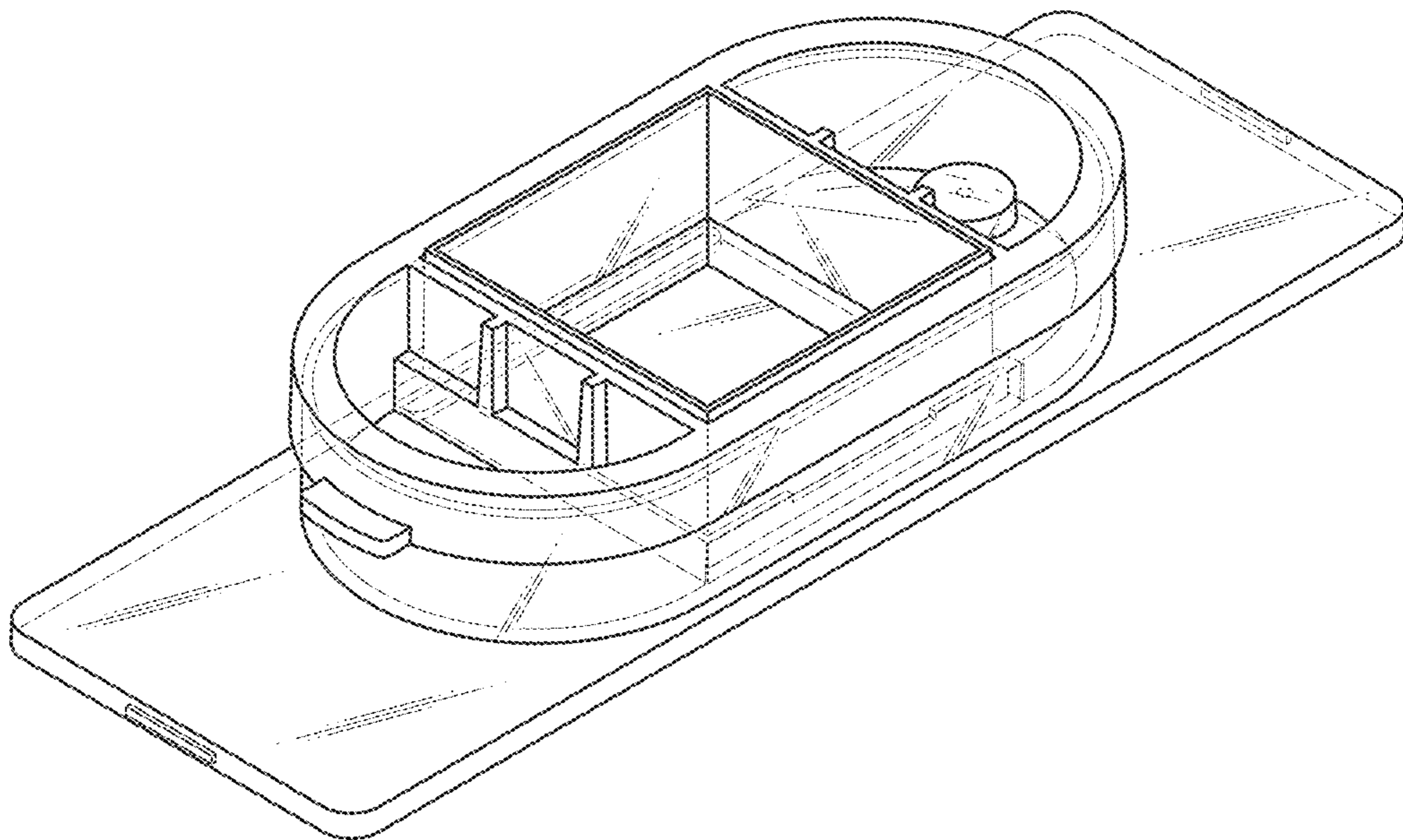


FIG. 2

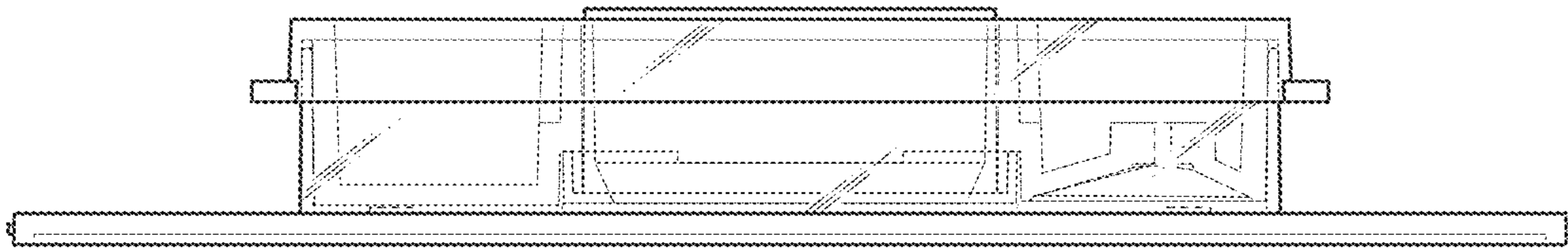


FIG. 3

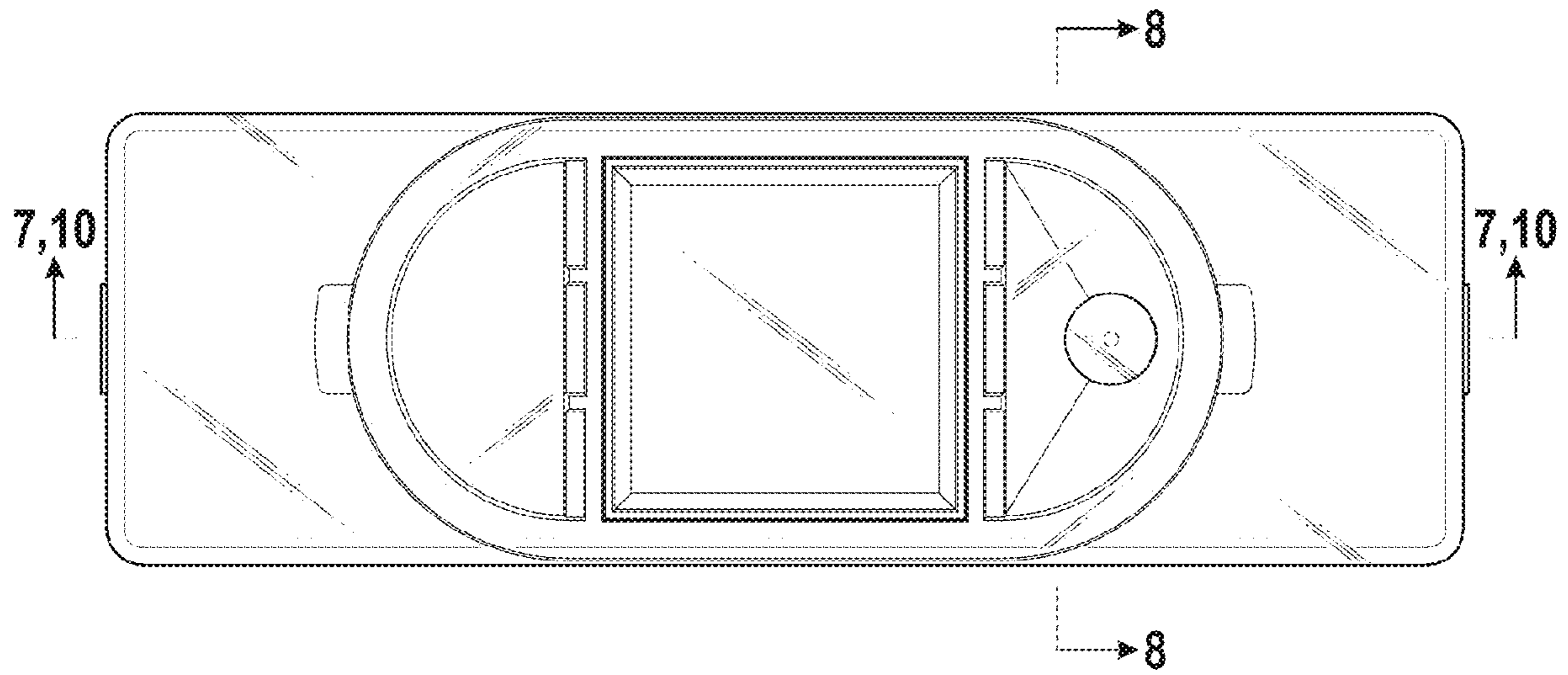


FIG. 4

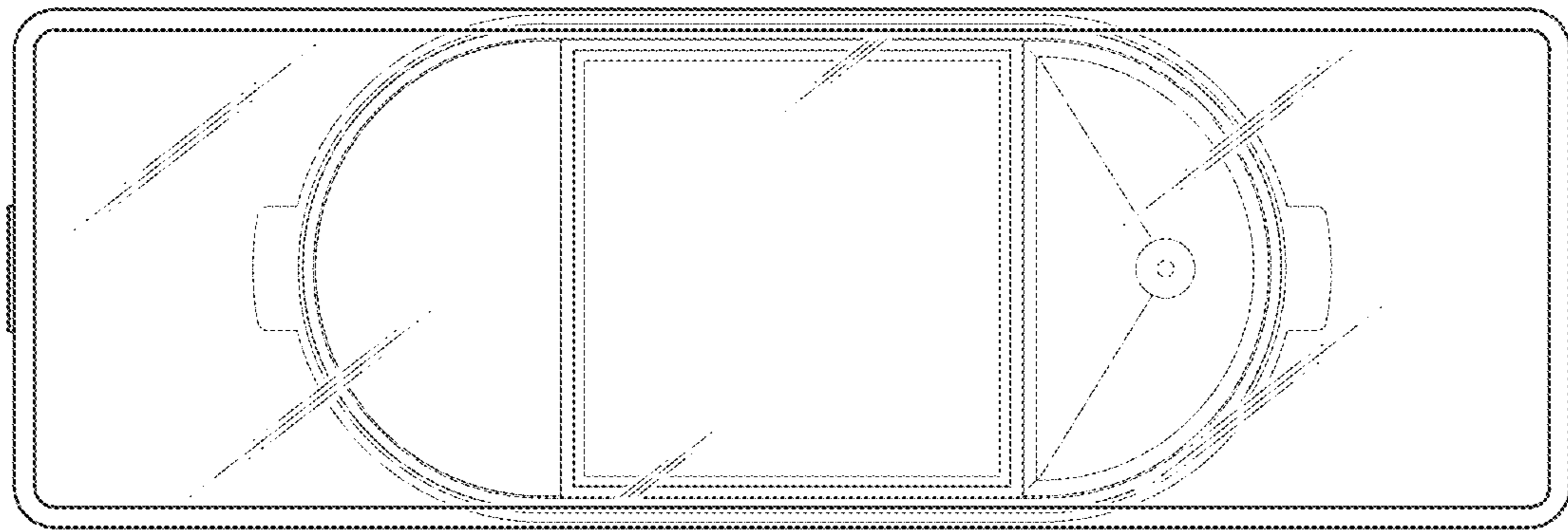


FIG. 5

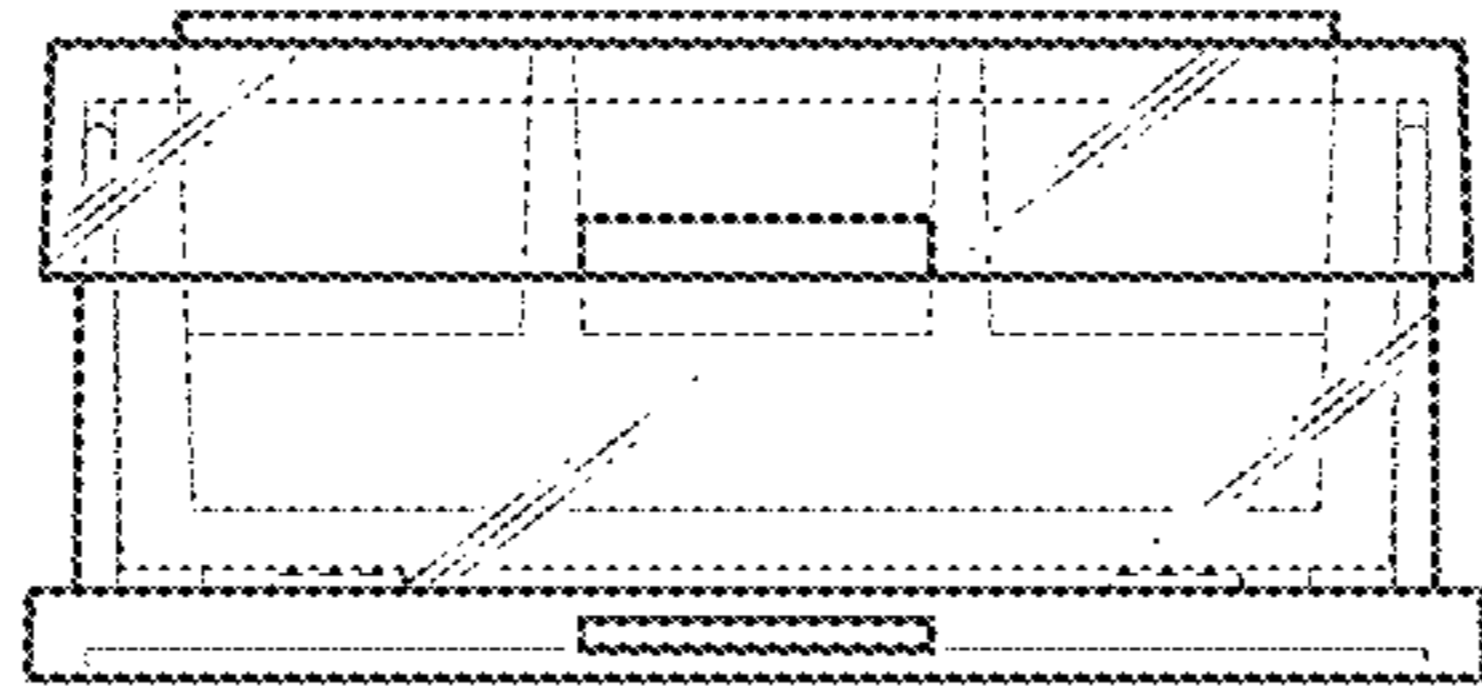


FIG. 6

REPLACEMENT SHEET

7/20

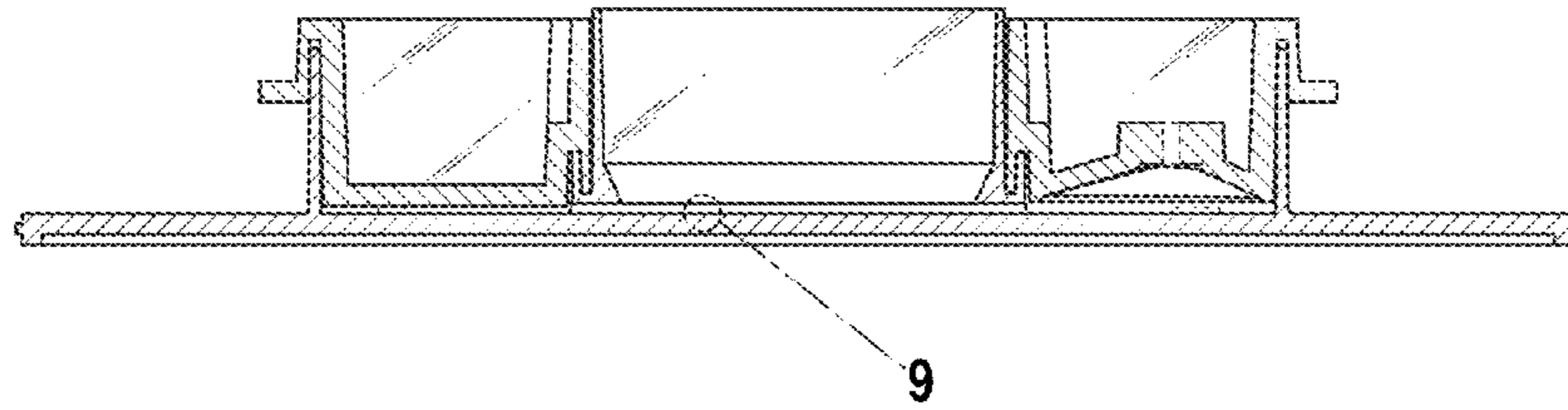


FIG. 7

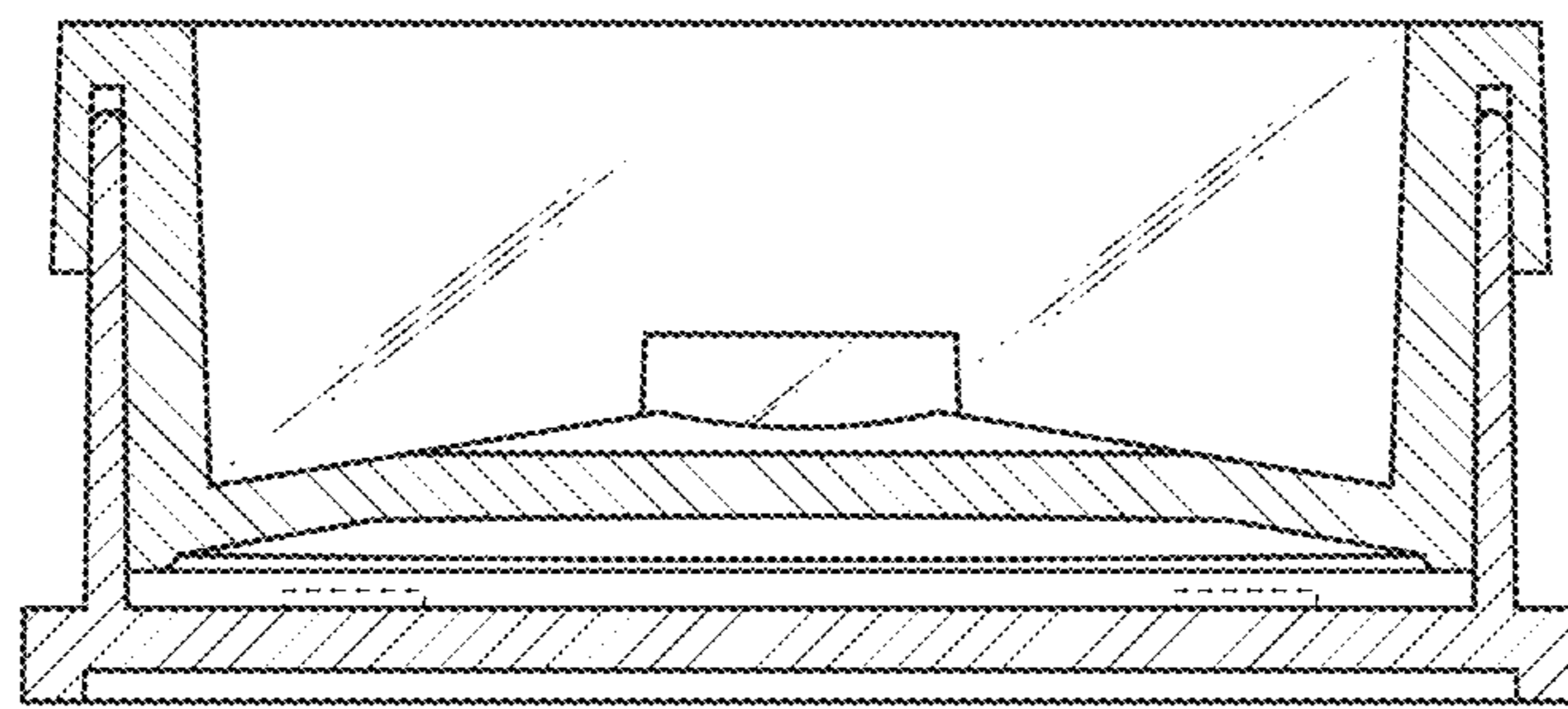


FIG. 8

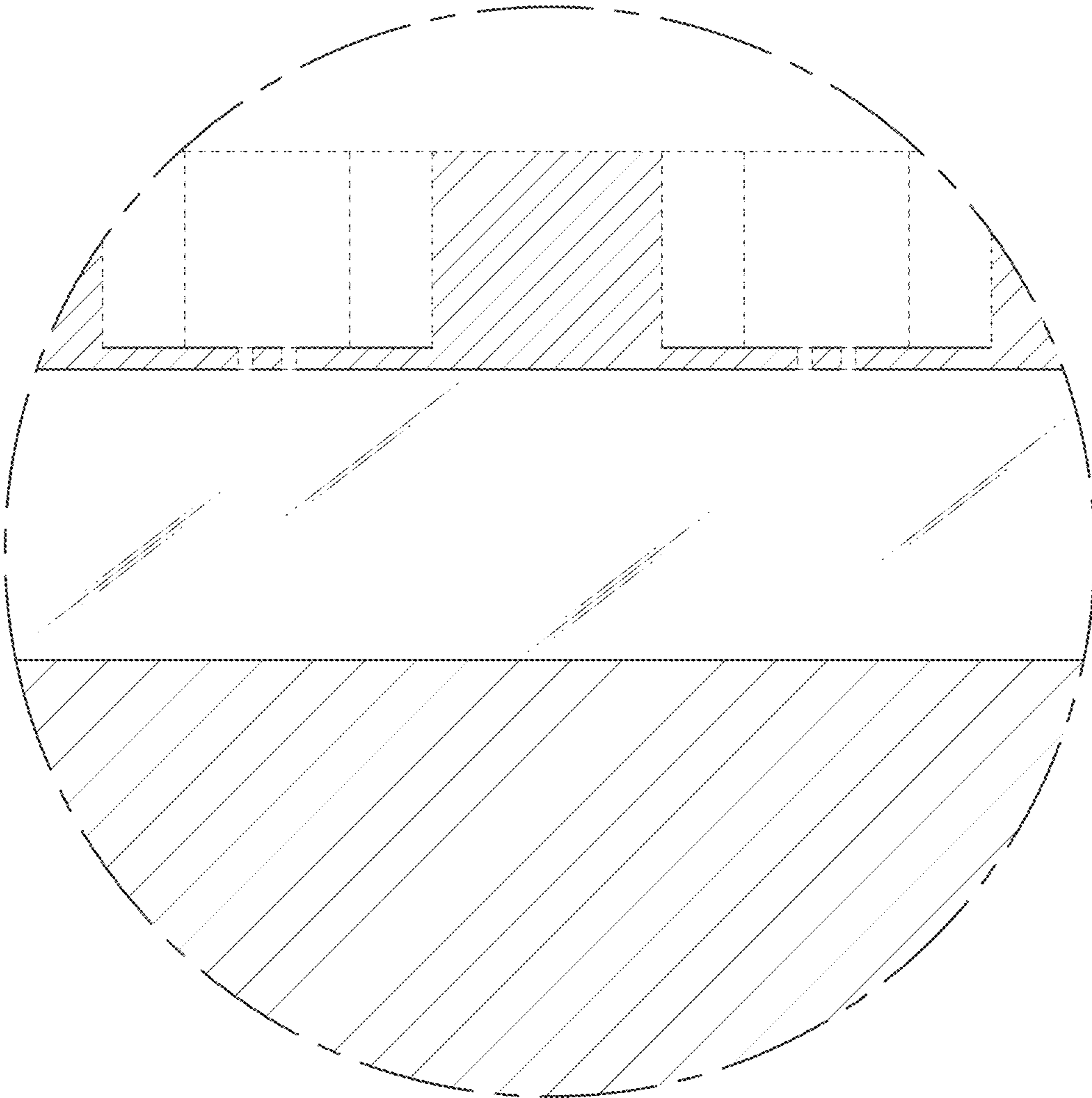


FIG. 9

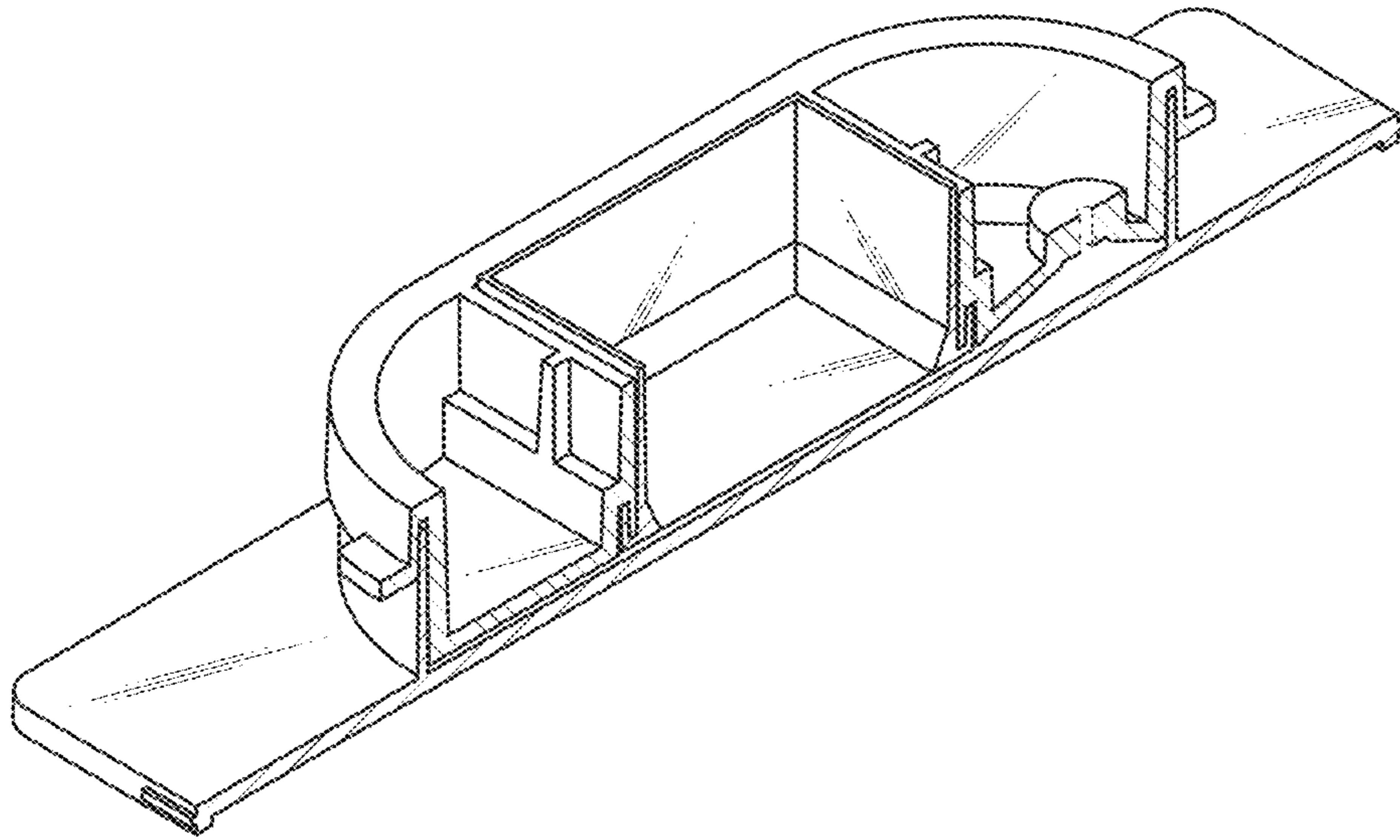


FIG. 10

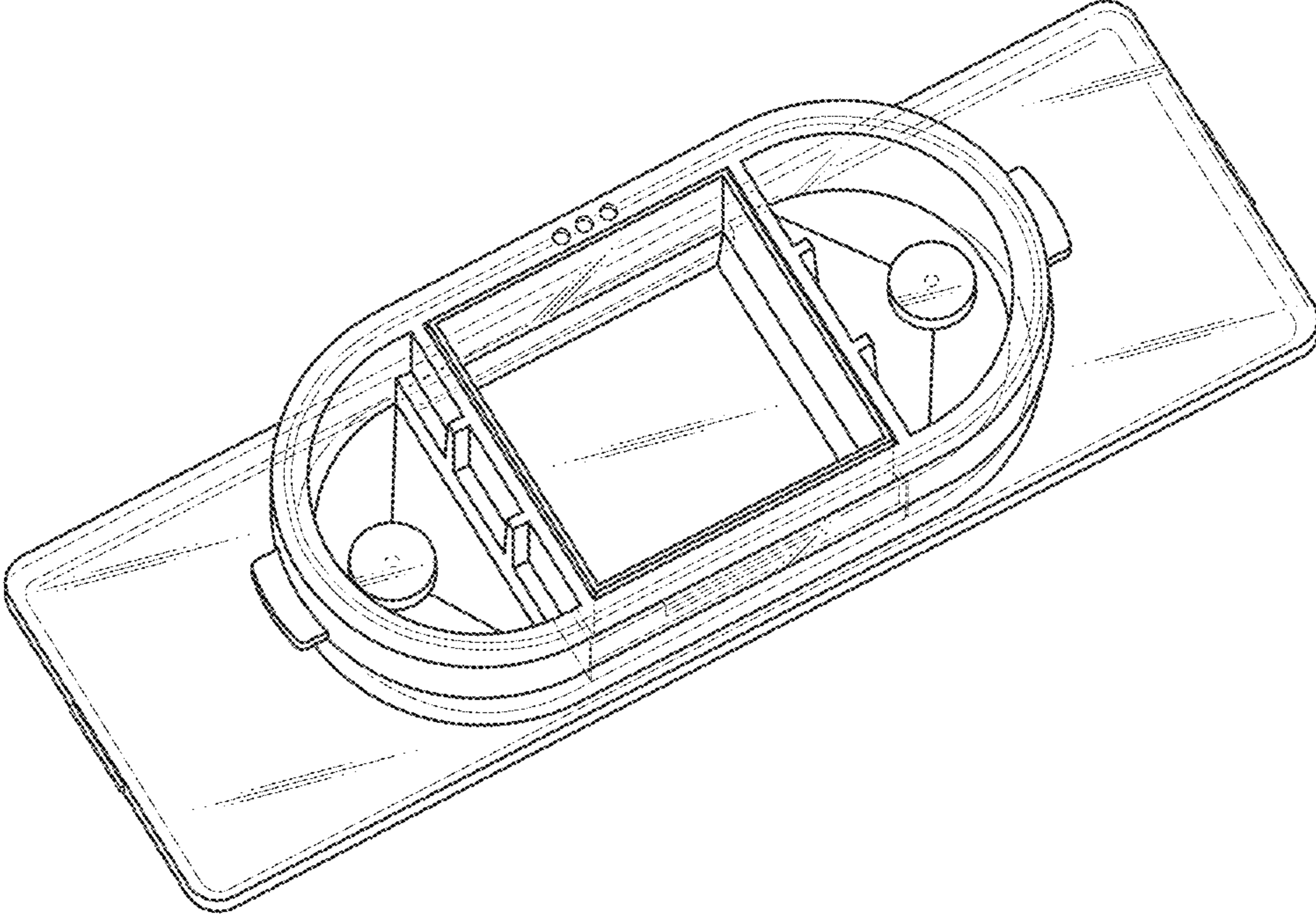


FIG. 11

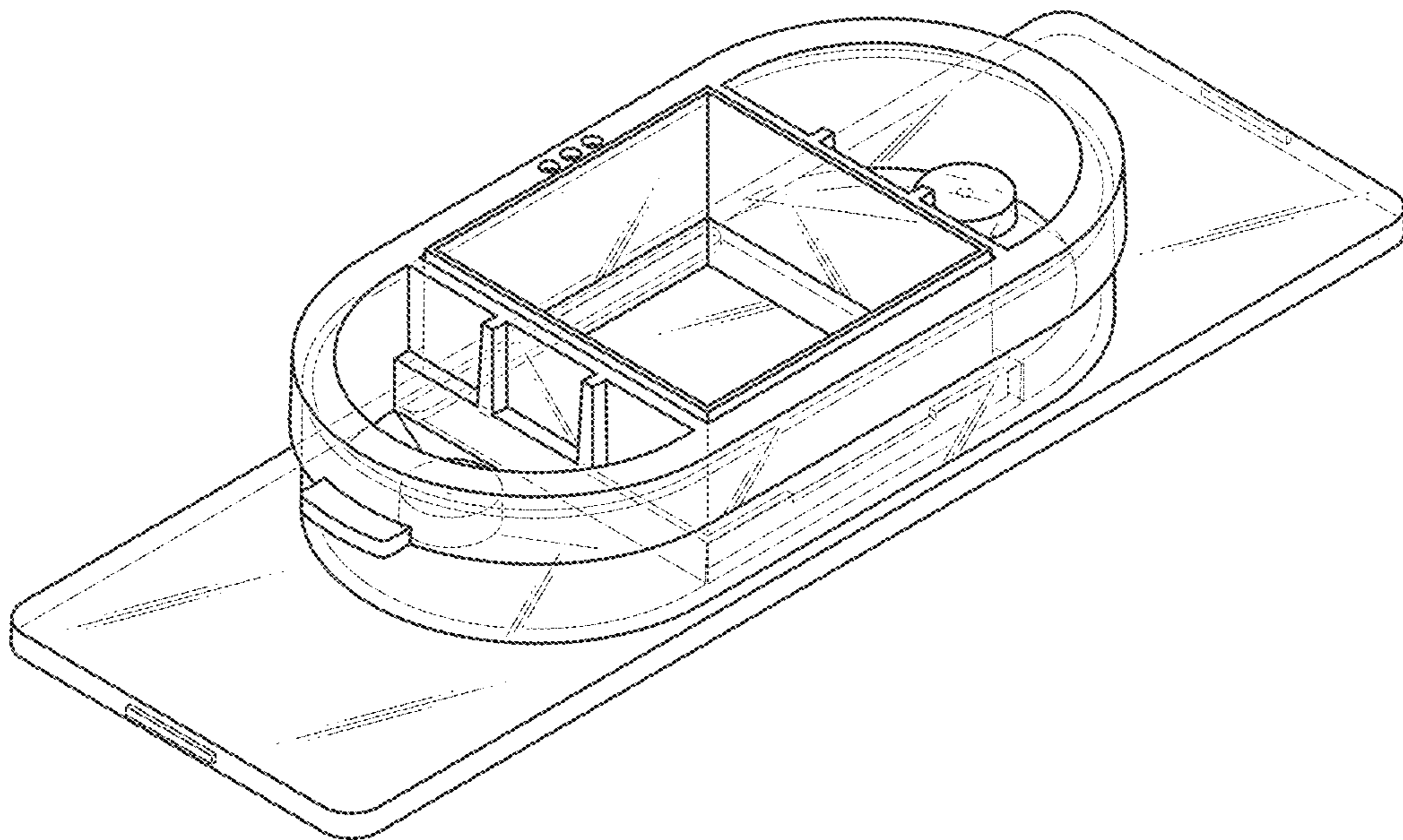


FIG. 12

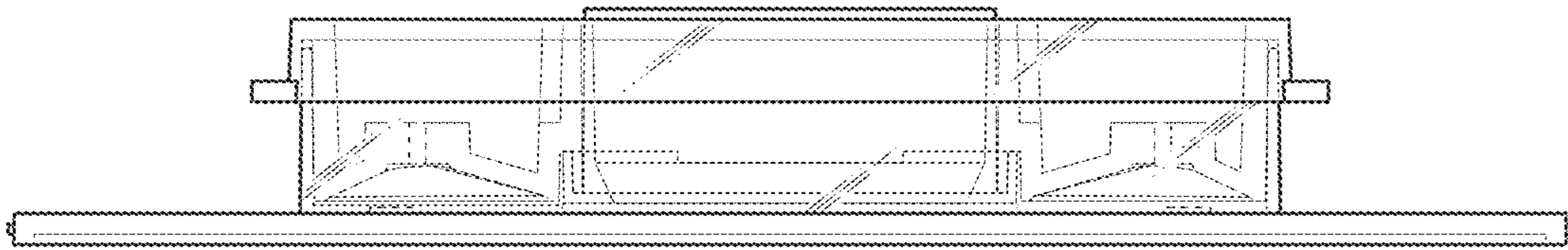


FIG. 13

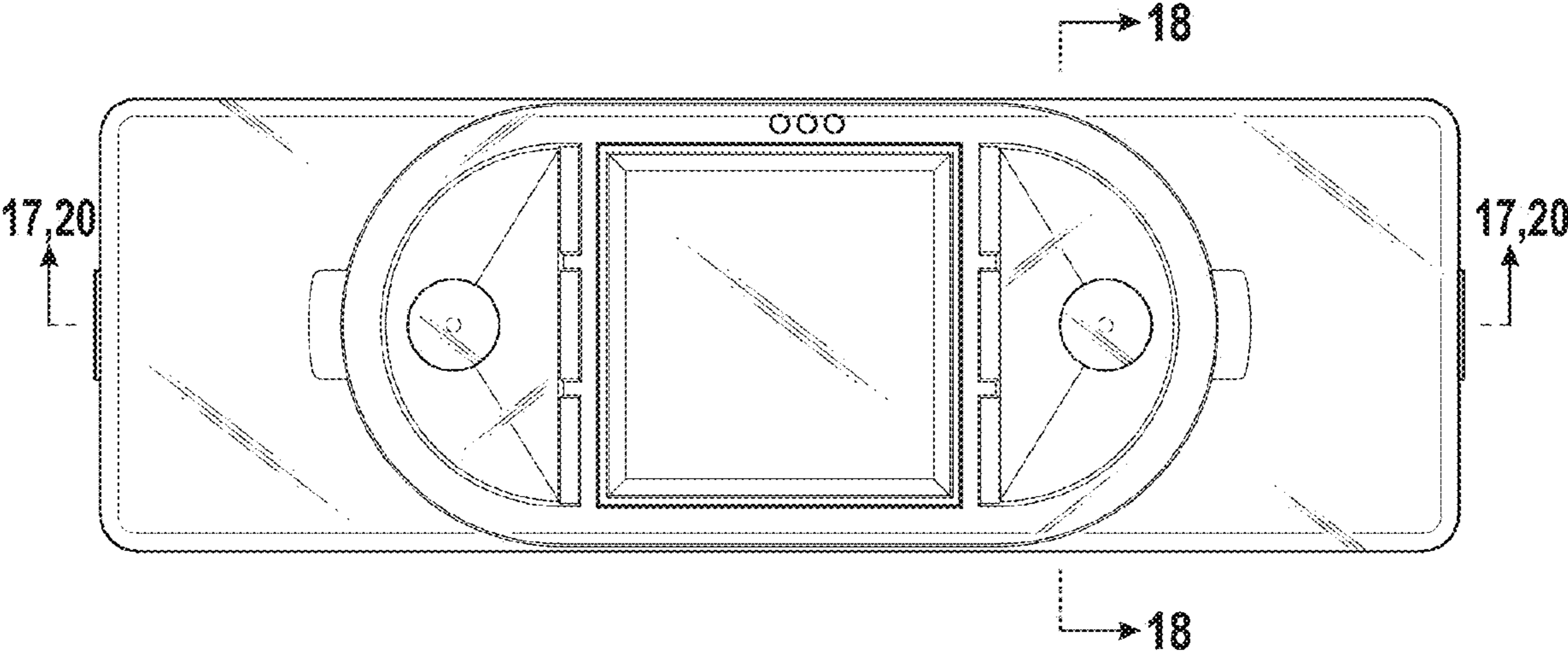


FIG. 14

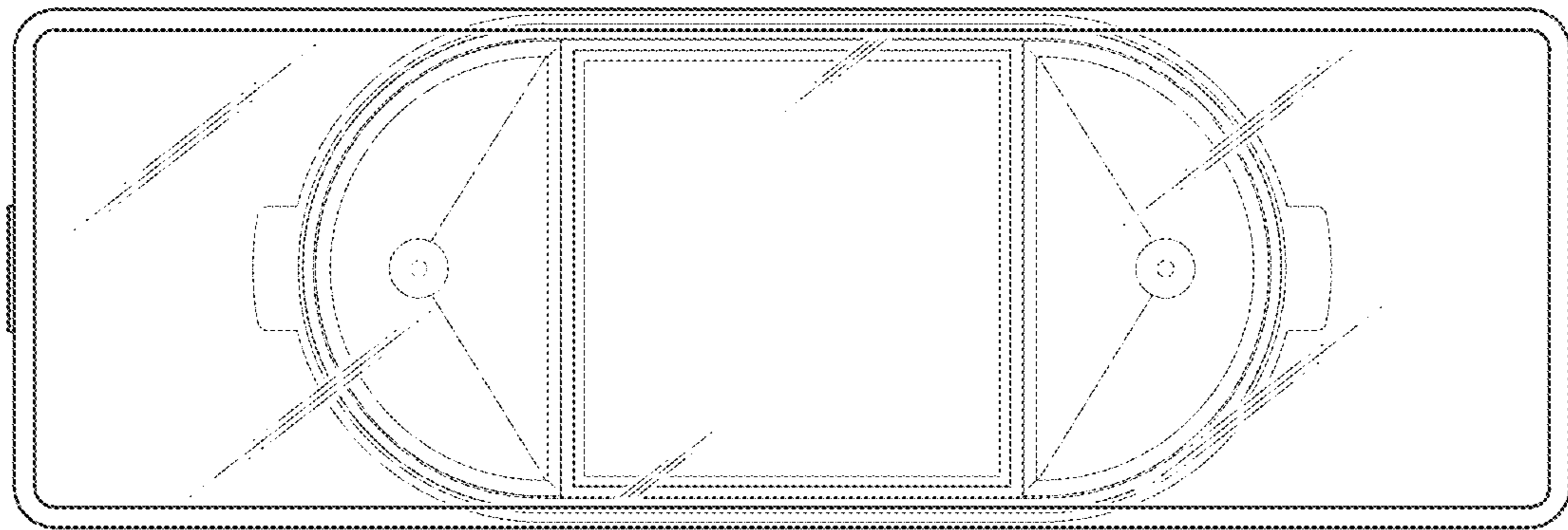


FIG. 15

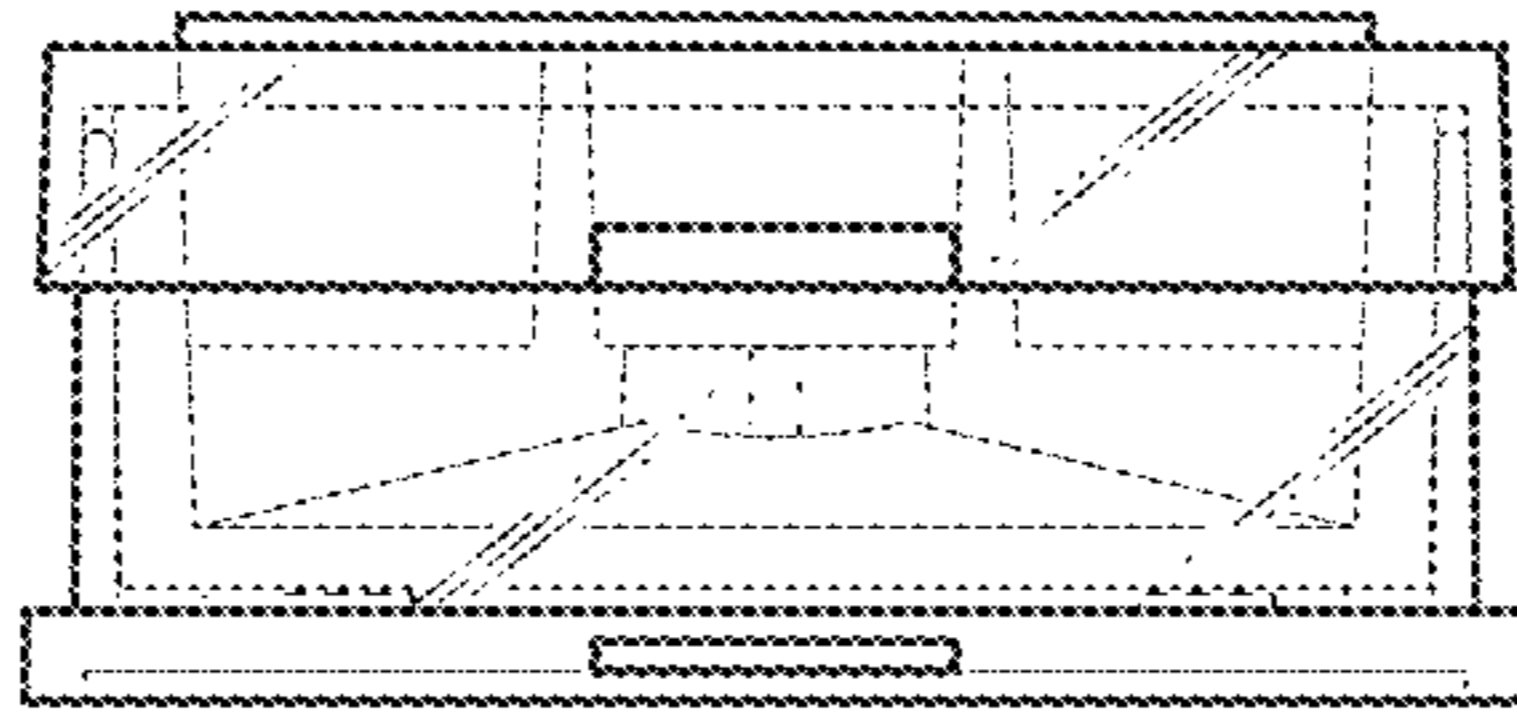


FIG. 16

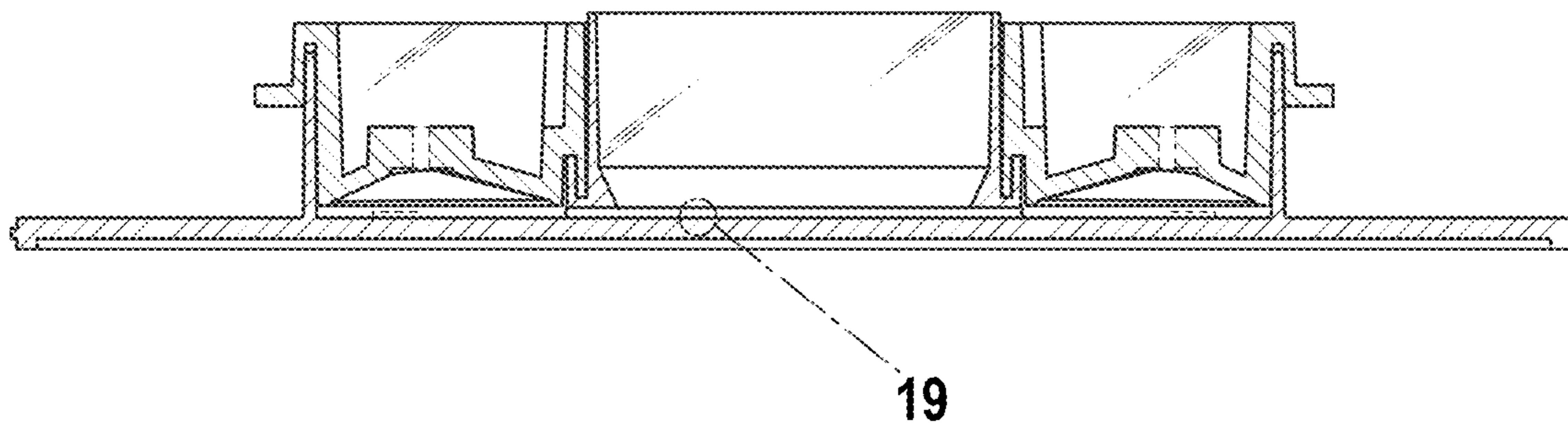


FIG. 17

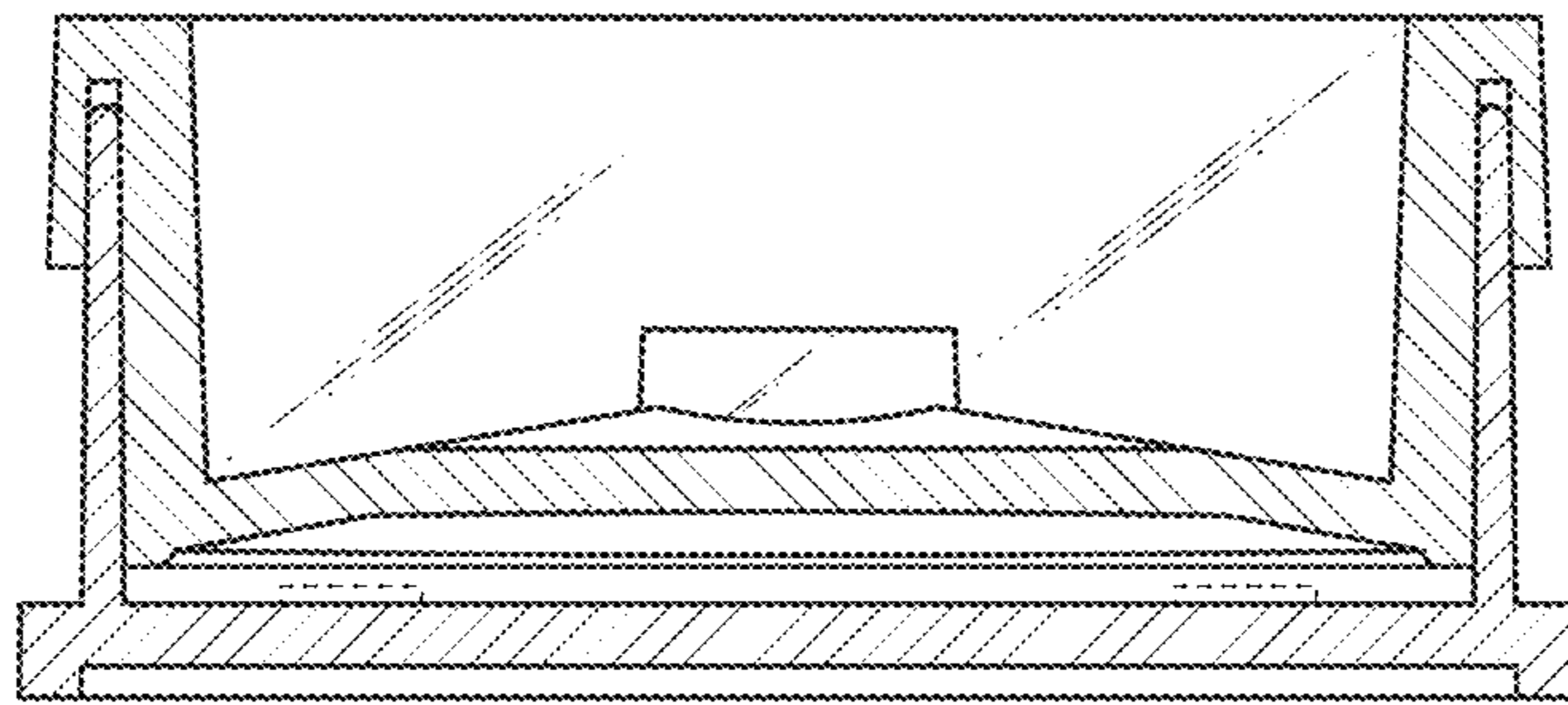


FIG. 18

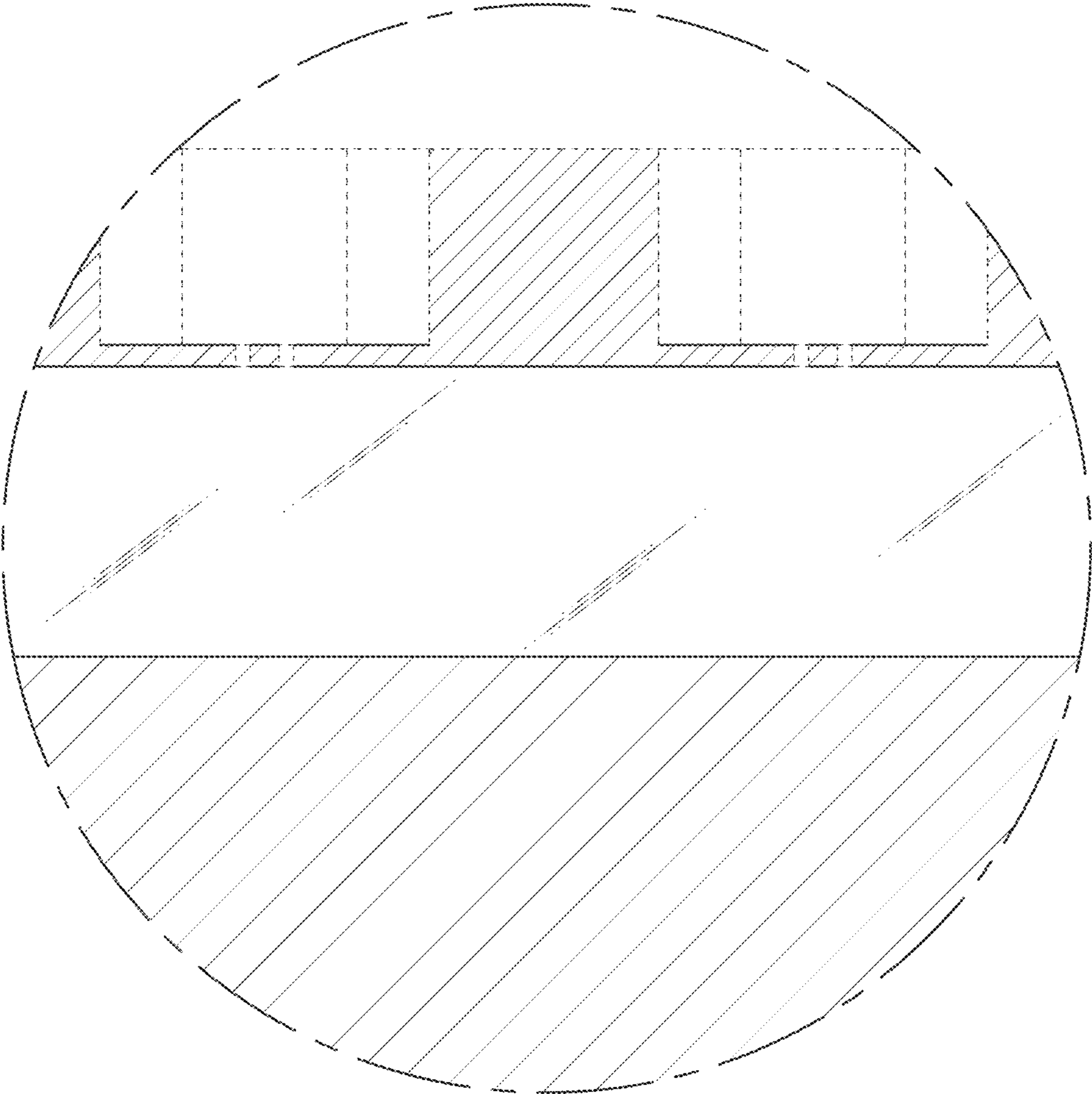


FIG. 19

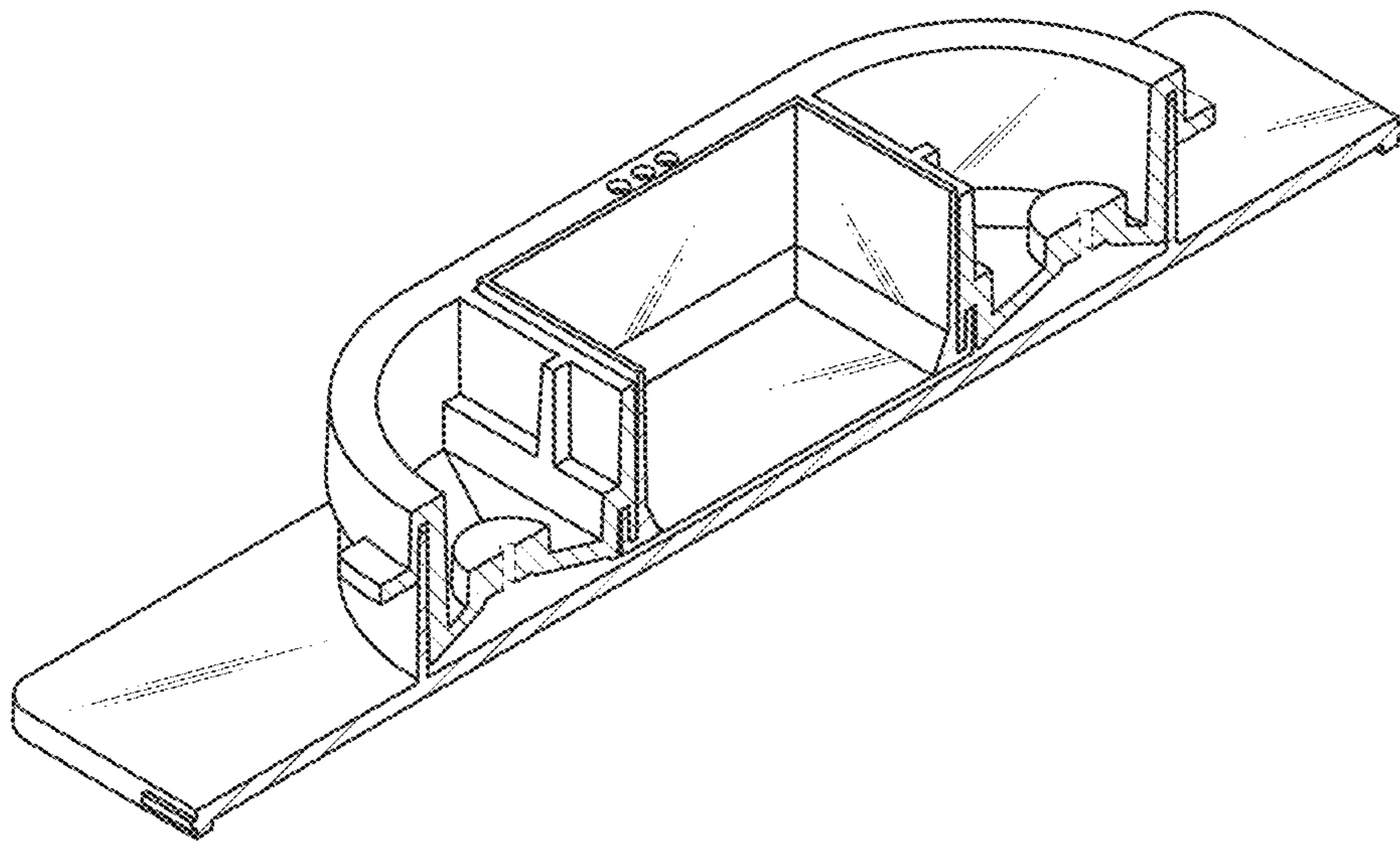


FIG. 20