



US00D959016S

(12) **United States Design Patent** (10) **Patent No.:** **US D959,016 S**
Zhang et al. (45) **Date of Patent:** **** Jul. 26, 2022**

(54) **TEST STRIP DETECTION DEVICE**
(71) Applicant: **NANJING LIMING**
BIO-PRODUCTS CO., LTD., Jiangsu
(CN)
(72) Inventors: **Shuwen Zhang**, Jiangsu (CN);
Guangming Liu, Jiangsu (CN); **Xiang**
Huang, Jiangsu (CN); **Luanyan Sun**,
Jiangsu (CN); **Xiaoliang Wang**, Jiangsu
(CN)
(73) Assignee: **NANJING LIMING**
BIO-PRODUCTS CO., LTD., Jiangsu
(CN)
(**) Term: **15 Years**
(21) Appl. No.: **29/760,147**
(22) Filed: **Nov. 30, 2020**
(51) **LOC (13) Cl.** **24-02**
(52) **U.S. Cl.**
USPC **D24/223**
(58) **Field of Classification Search**
USPC D24/119, 121, 133, 147, 216, 222-232;
D10/78, 81, 103
CPC ... B01J 19/0046; G01N 31/221; G01N 31/22;
G01N 21/8483; G01N 21/6428; G01N
21/07; G01N 21/774; G01N 33/54366;
G01N 21/474; G01N 33/76; A61B
10/0096
See application file for complete search history.

(56) **References Cited**
U.S. PATENT DOCUMENTS
D228,492 S * 10/1973 Cohen D24/222
D257,567 S * 11/1980 Peacock D24/114
D280,235 S * 8/1985 Street D24/220
5,223,225 A * 6/1993 Gautsch B01L 3/0275
422/931

D470,596 S * 2/2003 McMichael D24/119
D616,992 S * 6/2010 Kitayama D24/186
D800,332 S * 10/2017 Snider D24/223
D876,637 S * 2/2020 Moon D24/187
D889,669 S * 7/2020 Cheng D24/186
D921,196 S * 6/2021 Wang D24/133
D933,820 S * 10/2021 Ota D24/133
2013/0034871 A1* 2/2013 Matzinger G01N 33/48757
435/14

(Continued)

FOREIGN PATENT DOCUMENTS

CN 201830150040 * 7/2018
GB 6023508 * 12/2017

OTHER PUBLICATIONS

SARS-CoV-2 Antigen Rapid Test. Online, published date Apr. 18,
2021. Retrieved on Feb. 28, 2022 from URL: <https://www.youtube.com/watch?v=pkEaF8ZSecc>.*

(Continued)

Primary Examiner — Omeed Agilee

(57) **CLAIM**

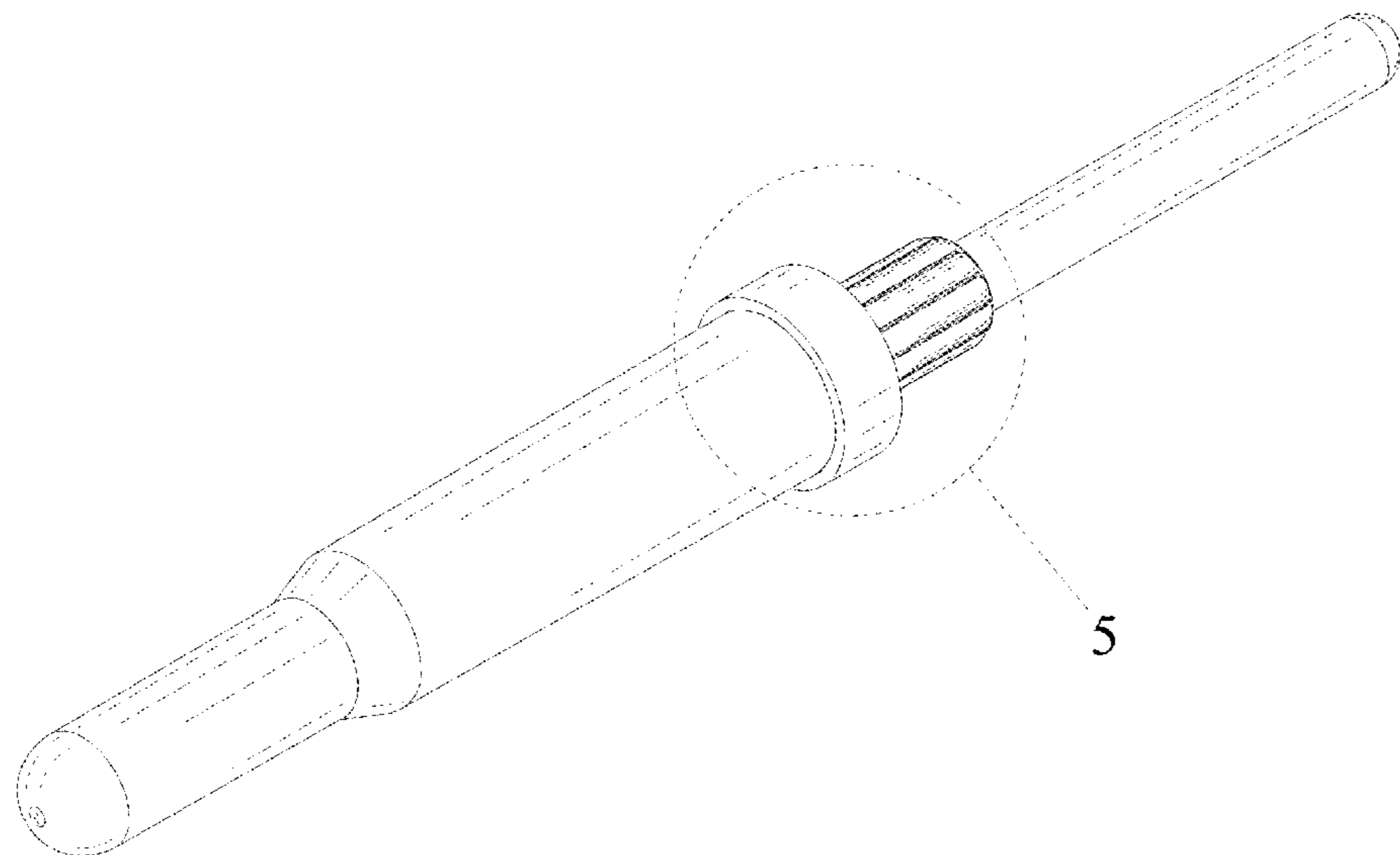
The ornamental design for a test strip detection device, as
shown and described.

DESCRIPTION

FIG. 1 is a perspective view of a test strip detection device
showing our new design;
FIG. 2 is a front view thereof, the back view, left view, and
the right view are identical to FIG. 2;
FIG. 3 is an enlarged top view thereof;
FIG. 4 is an enlarged bottom view thereof; and,
FIG. 5 is an enlarged perspective view of area 5 encircled in
FIG. 1.

The broken lines shown on the drawings depict portions of
the test strip detection device that form no part of the
claimed design.

1 Claim, 5 Drawing Sheets



(56)

References Cited

U.S. PATENT DOCUMENTS

2018/0344300 A1* 12/2018 Burrows A61B 10/0291

OTHER PUBLICATIONS

Micromax usedTVS Ultrasound Probe. Online, published date unknown. Retrieved on Feb. 28, 2022 from URL: <https://www.indiamart.com/proddetail/micromax-usedtvs-ultrasound-probe-20389492473.html>.*

* cited by examiner

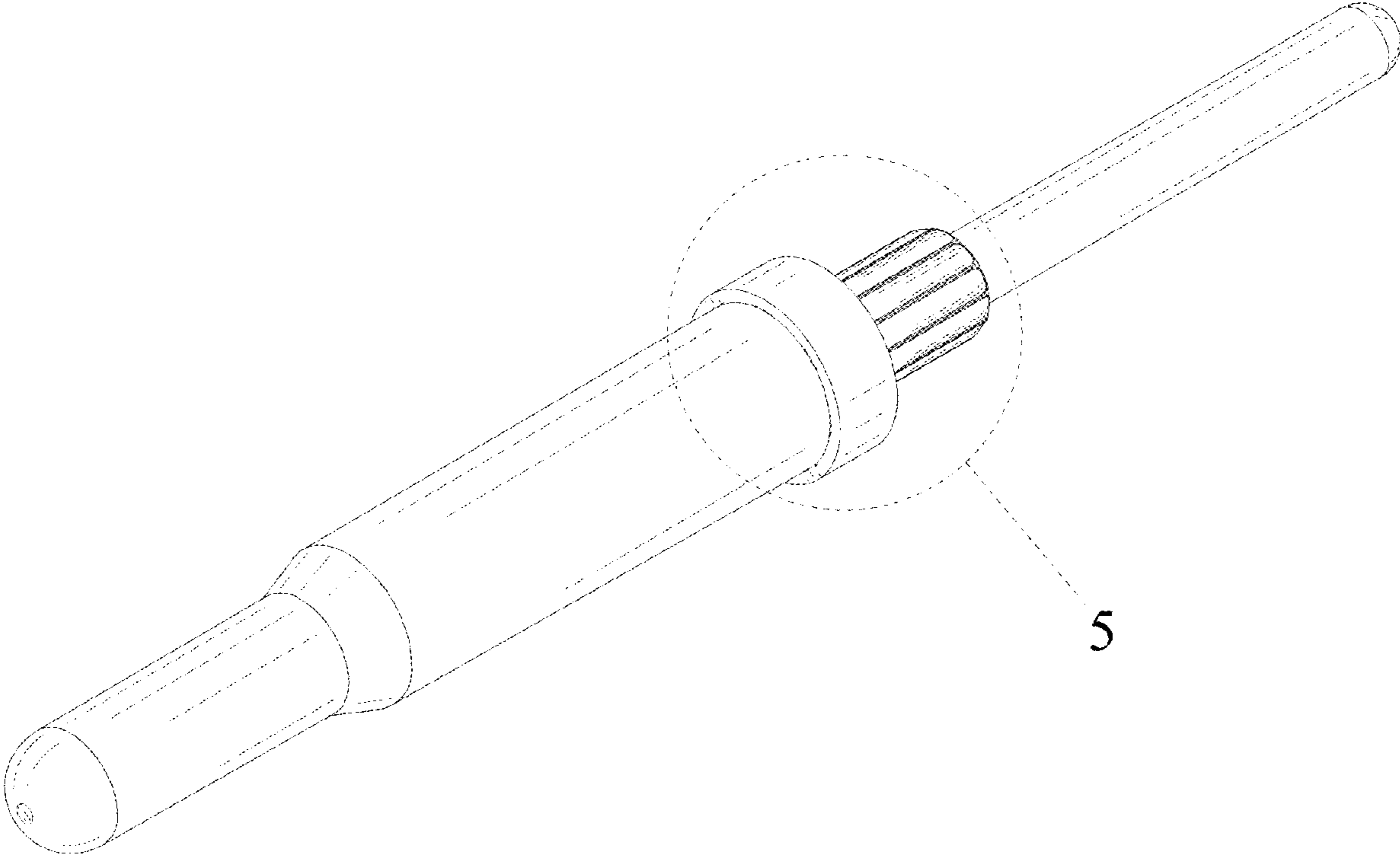


FIG. 1

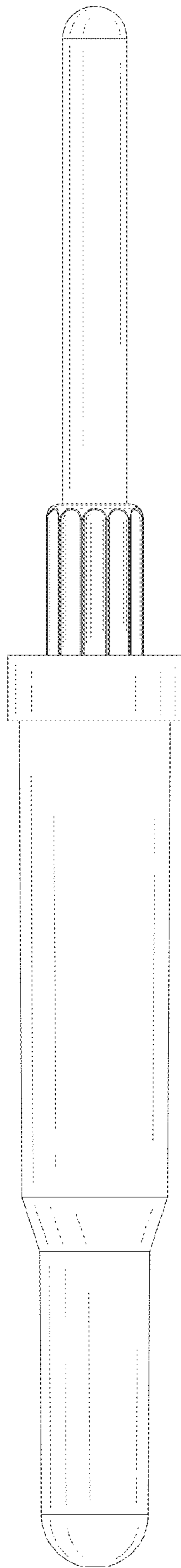


FIG. 2

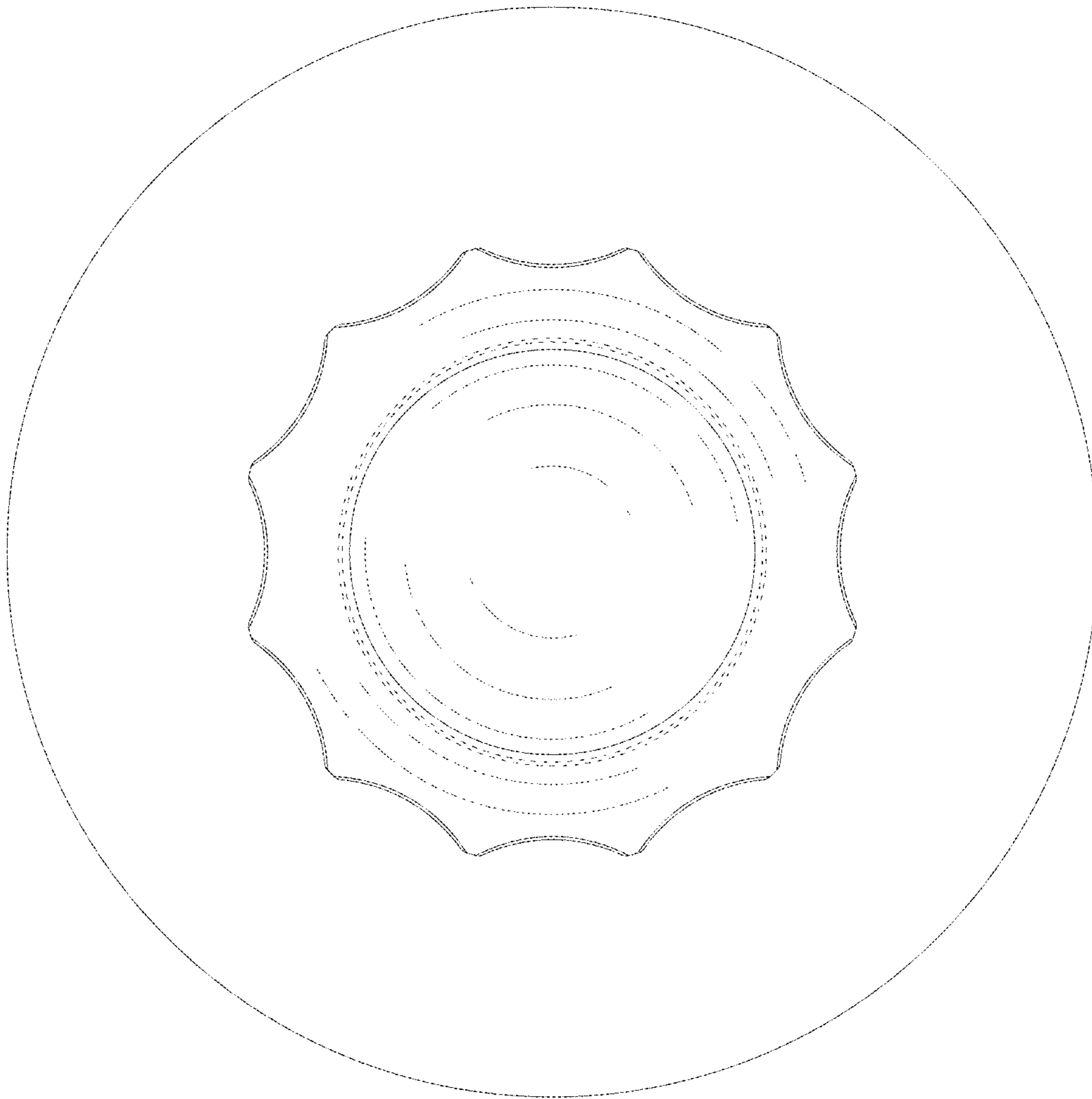


FIG. 3

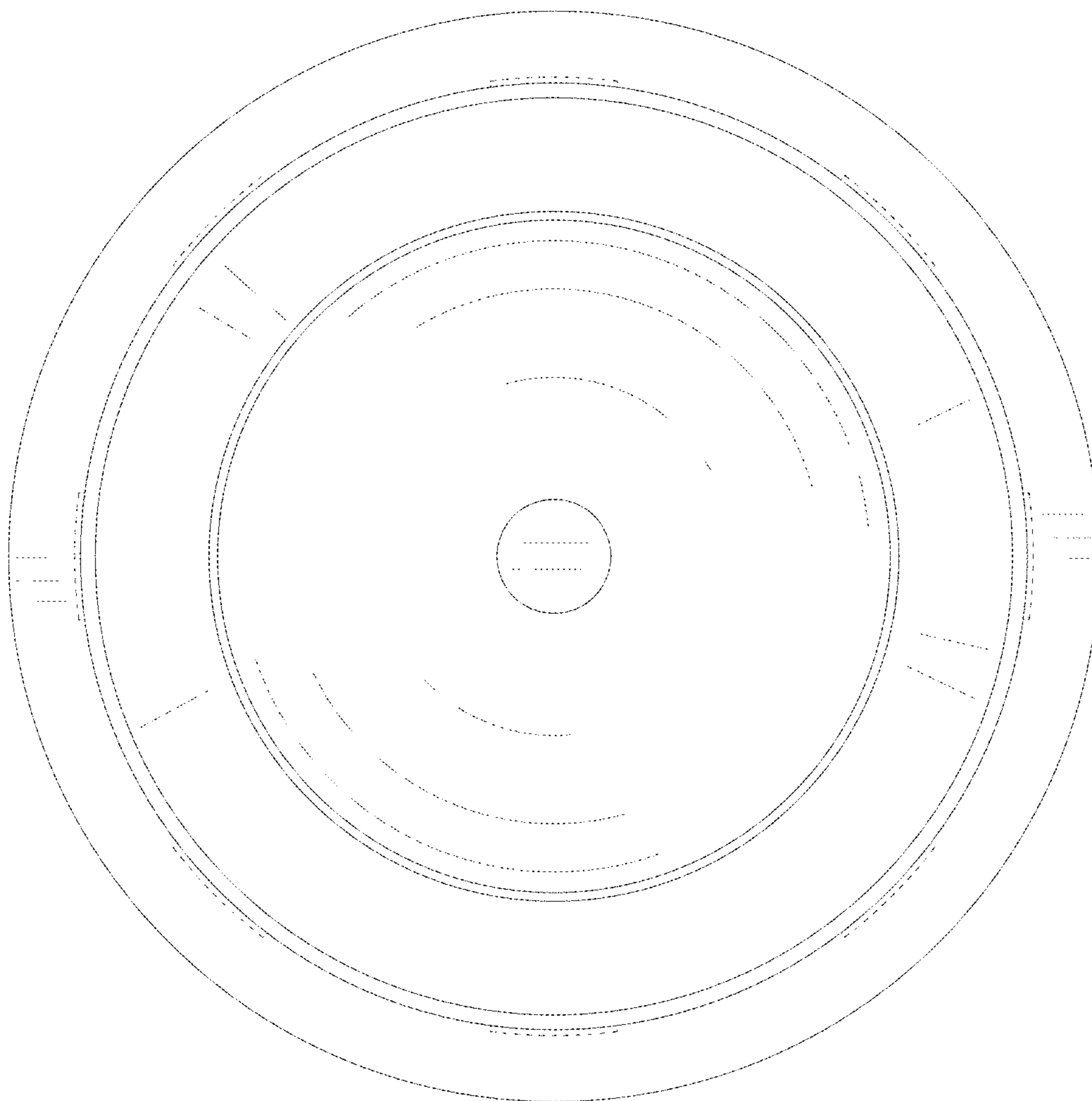


FIG. 4

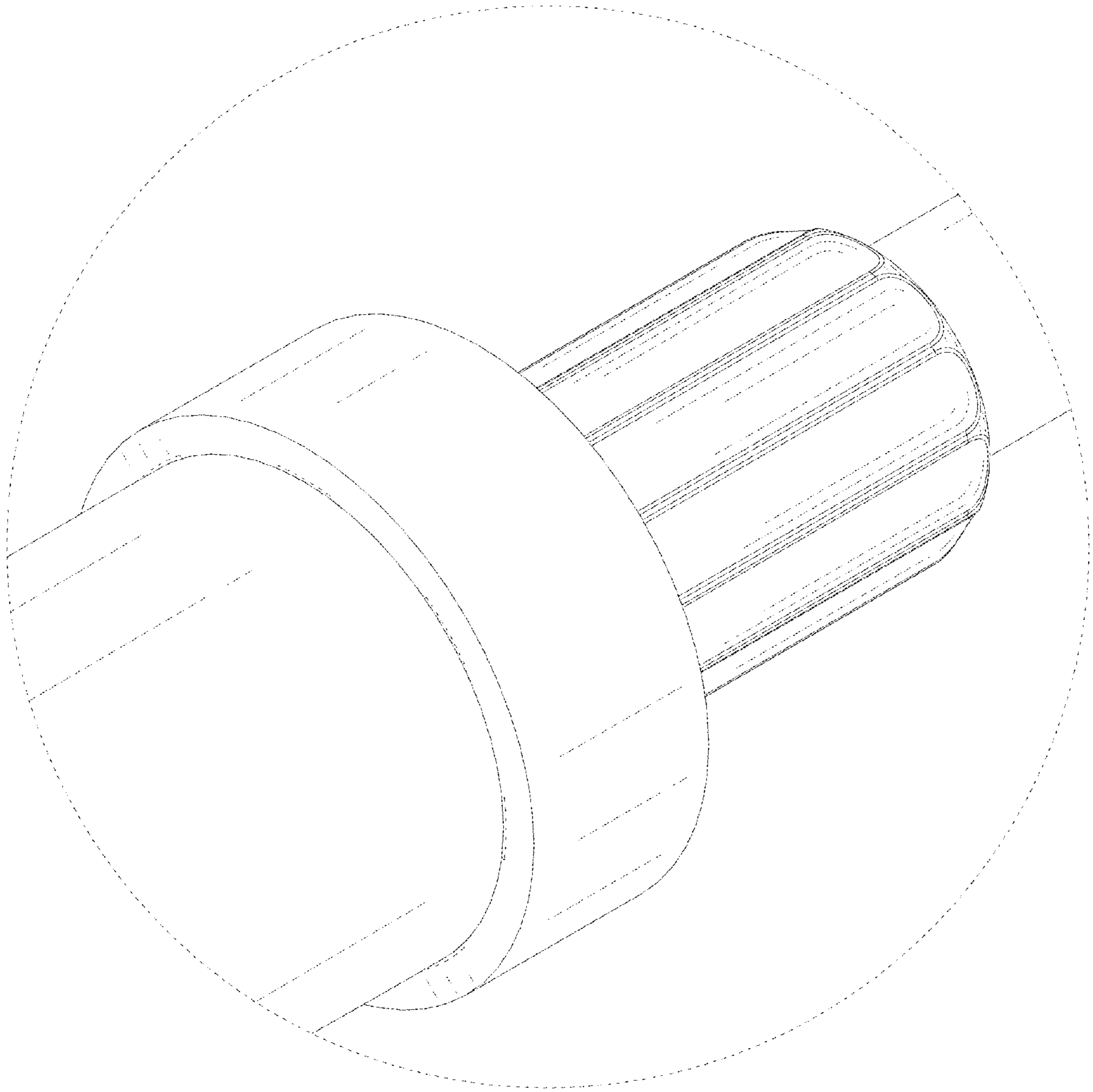


FIG. 5