

US00D959015S

(12) **United States Design Patent**
Fang et al.

(10) **Patent No.:** **US D959,015 S**

(45) **Date of Patent:** **** Jul. 26, 2022**

(54) **COVID IMMUNOASSAY TEST DEVICE**

(71) Applicants: **Zhejiang Orient Gene Biotech Co., Ltd**, Zhejiang (CN); **Healgen Scientific Limited**, Houston, TX (US)

(72) Inventors: **Jianqiu Fang**, Zhejiang (CN); **Siyu Lei**, Zhejiang (CN); **Hua Zhang**, Zhejiang (CN)

(73) Assignees: **ZHEJIANG ORIENT GENE BIOTECH CO., LTD**, Huzhou (CN); **HEALGEN SCIENTIFIC LIMITED**

(**) Term: **15 Years**

(21) Appl. No.: **29/745,986**

(22) Filed: **Aug. 13, 2020**

(30) **Foreign Application Priority Data**

Jun. 5, 2020 (CN) 202030280197.5

(51) **LOC (13) Cl.** **24-02**

(52) **U.S. Cl.**
USPC **D24/223**

(58) **Field of Classification Search**
USPC D24/107, 121–123, 216, 217, 219, D24/223–227, 229–232; D10/81; D9/523, 547, 549, 550, 724, 732
CPC B01J 2220/64; B01L 3/14; B01L 3/021–0237; B01L 3/508–50825; B01L 3/52–523; B01L 3/502; G01F 11/02; G01N 21/6428; G01N 33/50; G01N 33/49; G01N 33/6854

See application file for complete search history.

(56) **References Cited**

U.S. PATENT DOCUMENTS

5,384,264 A * 1/1995 Chen B01L 3/5023 422/400
D432,244 S * 10/2000 Anderson D24/223

D531,321 S * 10/2006 Godfrey D24/225
D655,424 S * 3/2012 Castanon D24/225
D660,977 S * 5/2012 Wagner D24/223
D660,978 S * 5/2012 Wagner D24/223

(Continued)

OTHER PUBLICATIONS

Researchers Applaud Spanish COVID-19 Serological Survey. Online, published date May 28, 2020. Retrieved on Aug. 17, 2021 from URL: <https://www.the-scientist.com/news-opinion/researchers-applaud-spanish-covid-19-serological-survey-67590>.*

(Continued)

Primary Examiner — Omeed Agilee

(74) *Attorney, Agent, or Firm* — NZ Carr Law Office PLLC

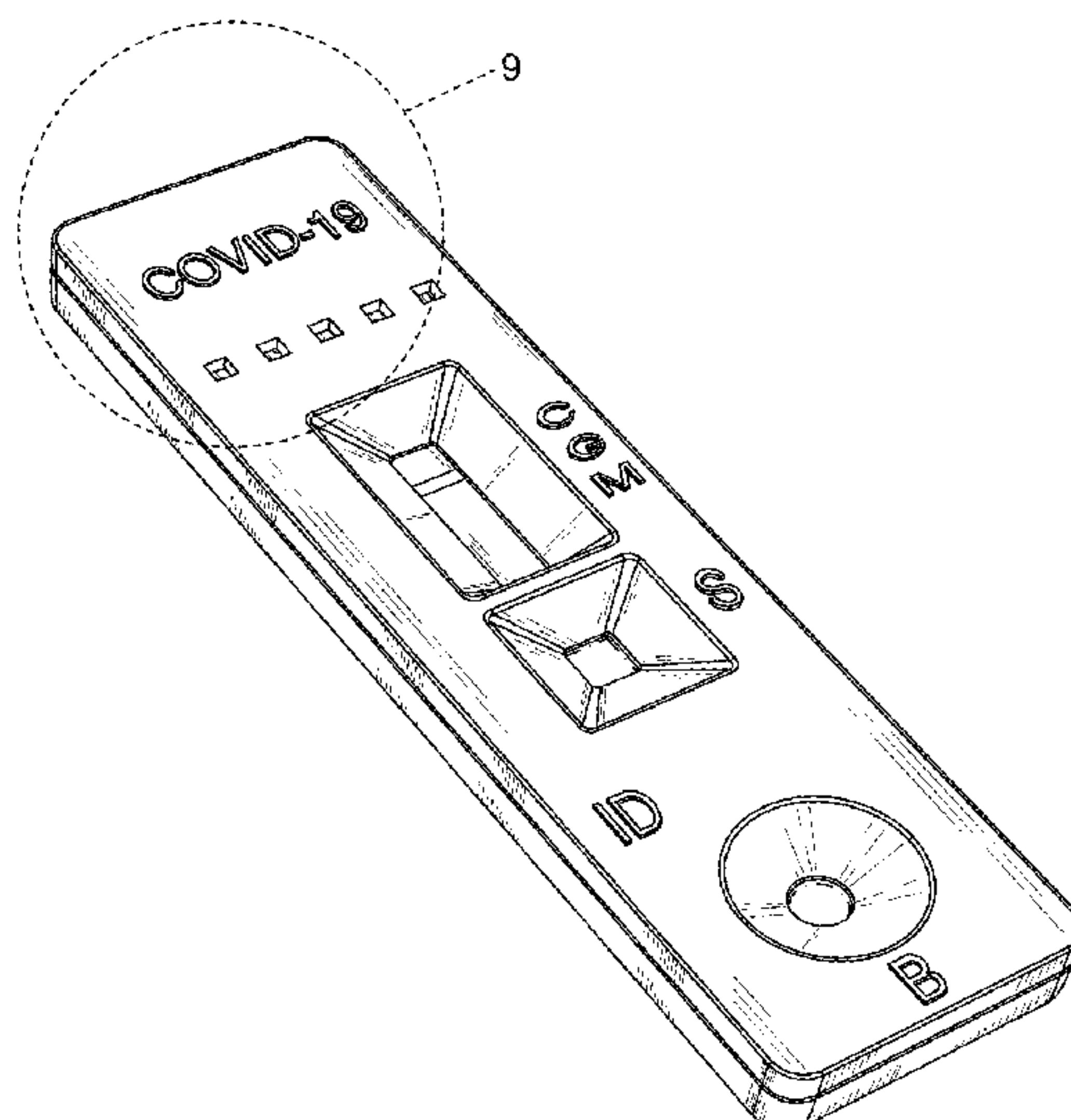
(57) **CLAIM**

The ornamental design for a COVID immunoassay test device, as shown and described.

DESCRIPTION

FIG. 1 is a front perspective view of a COVID immunoassay test device according to the present design; FIG. 2 is a rear perspective view thereof; FIG. 3 is a top view thereof; FIG. 4 is a bottom view thereof; FIG. 5 is a left view thereof; FIG. 6 is a right view thereof; FIG. 7 is a front view thereof; FIG. 8 is a rear view thereof; FIG. 9 is an enlarged perspective view of area 9 circumscribed in FIG. 1; FIG. 10 is an enlarged front view of area 10 marked in FIG. 7; and, FIG. 11 is an enlarged front view of area 11 circumscribed in FIG. 7. The dot dash dot broken lines depict the boundaries of the claim and form no part thereof.

1 Claim, 11 Drawing Sheets



(56)

References Cited

U.S. PATENT DOCUMENTS

D668,350	S	*	10/2012	Rowley	D24/225
D765,264	S	*	8/2016	Zin	D24/223
D772,428	S	*	11/2016	Fumito	D24/225
D784,551	S	*	4/2017	Todd	D24/224
D855,825	S	*	8/2019	Parsons	D24/223
D894,422	S	*	8/2020	Johnson	D24/224
D910,871	S	*	2/2021	Johnson	D24/224
D921,219	S	*	6/2021	Johnson	D24/224
2007/0092401	A1	*	4/2007	Liao	G01N 33/558 422/400
2015/0064800	A1	*	3/2015	Chance	G01N 33/6854 436/501
2018/0356393	A1	*	12/2018	Piasio	G01N 33/558

OTHER PUBLICATIONS

Rapid test kits not used in swabbing exercises in Singapore as they are not sensitive enough. Online, published date Sep. 30, 2020. Retrieved on Aug. 17, 2021 from URL: <https://www.straitstimes.com/singapore/health/rapid-test-kits-not-used-in-swabbing-exercises-in-spore-as-they-are-not-sensitive>.*

* cited by examiner

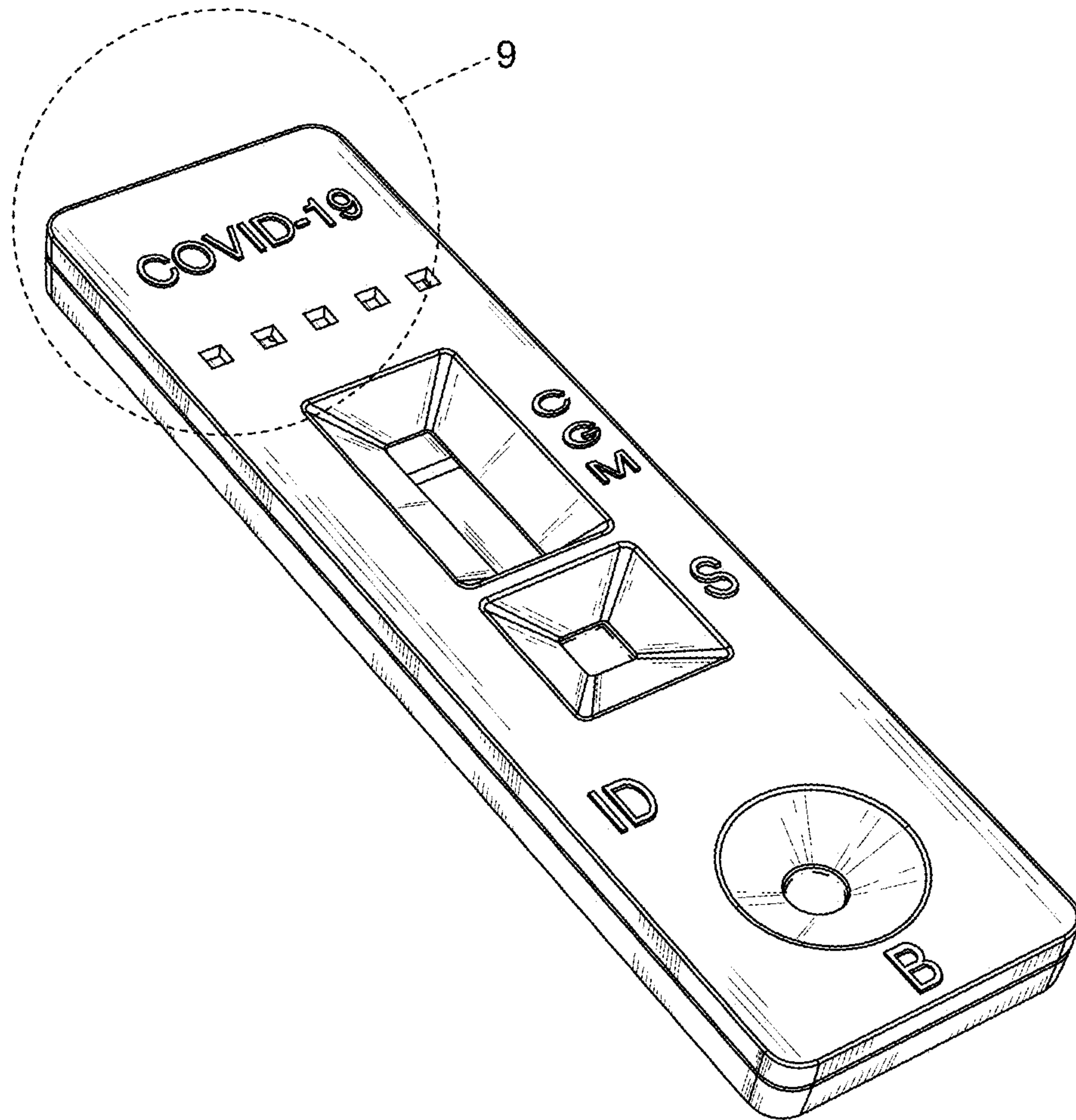


FIG. 1

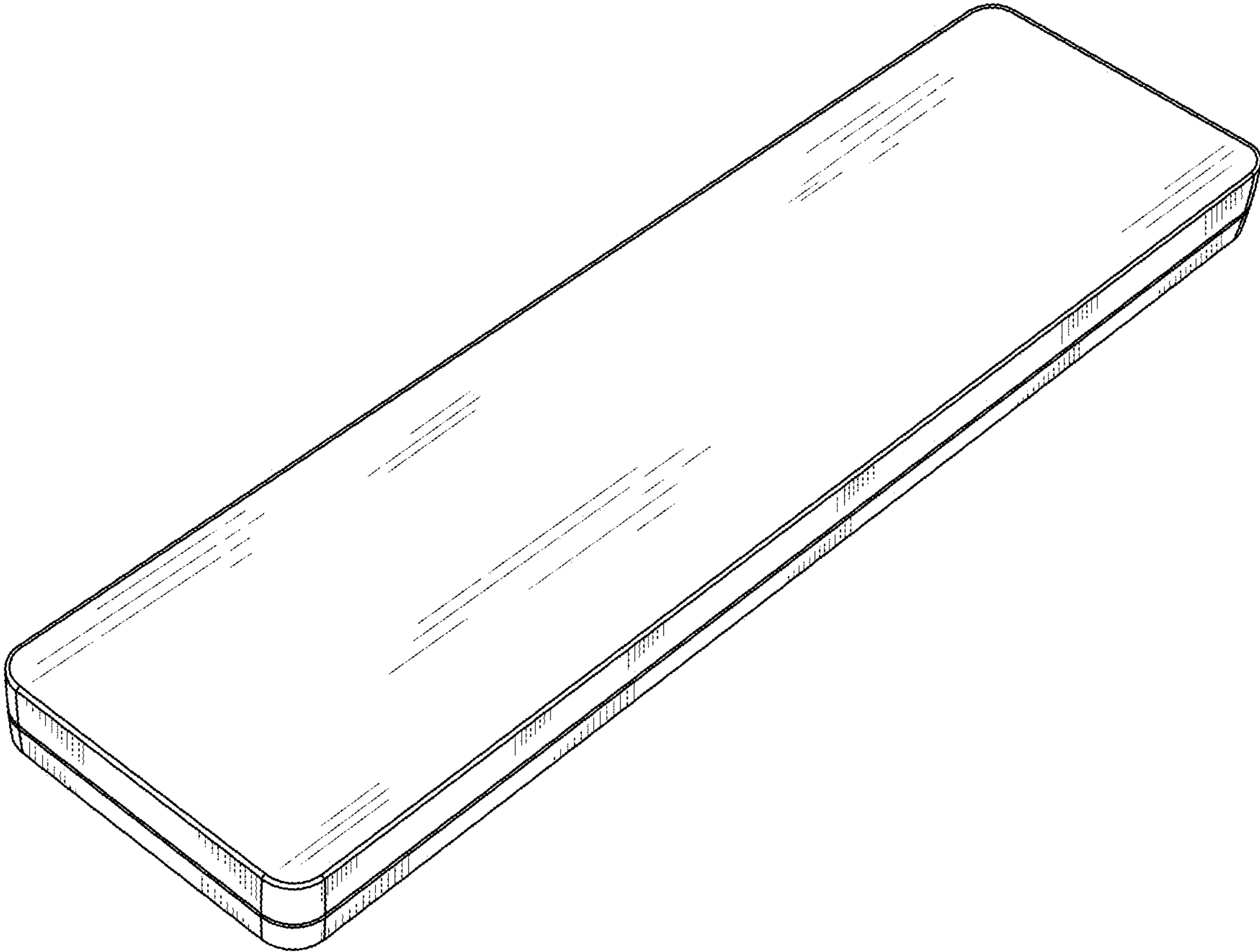


FIG. 2

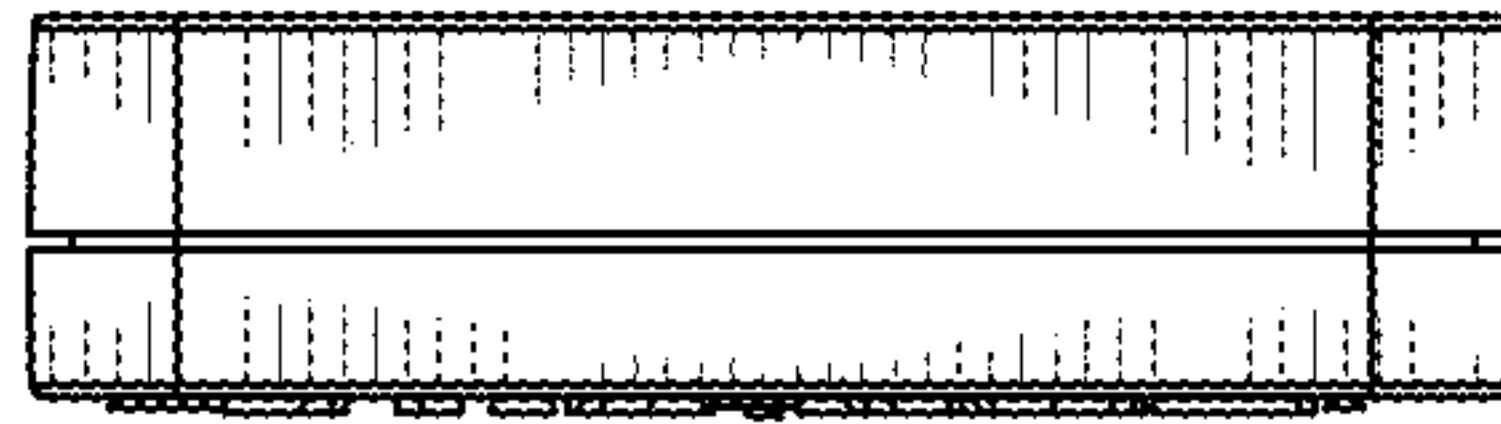


FIG. 3

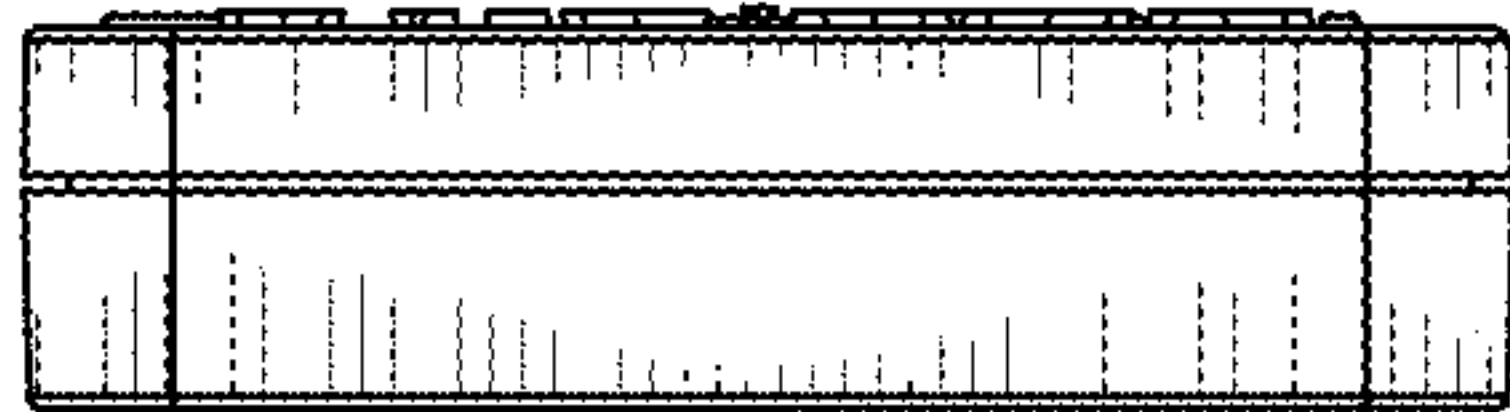


FIG. 4

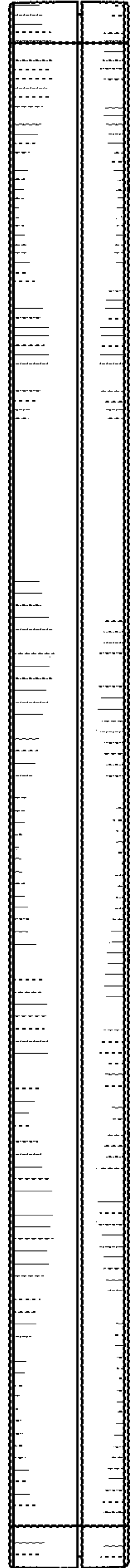


FIG. 5

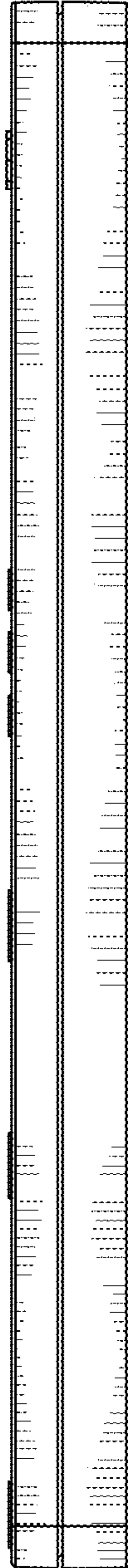


FIG. 6

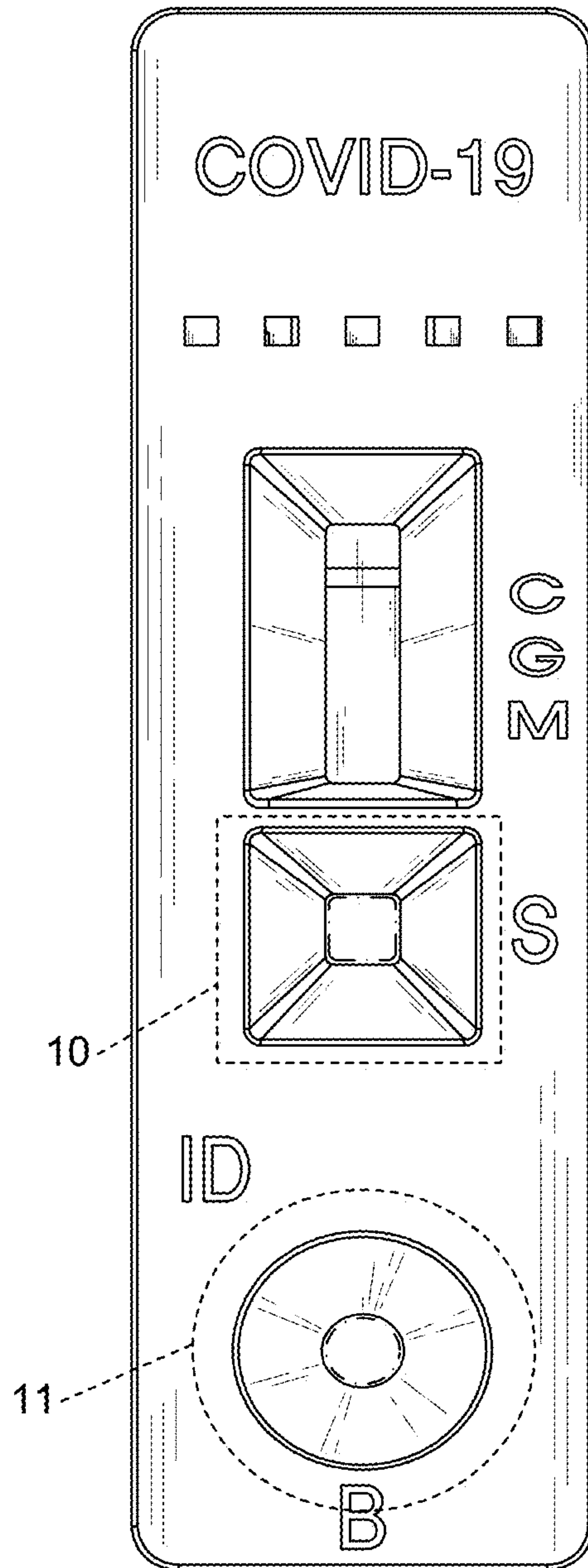


FIG. 7

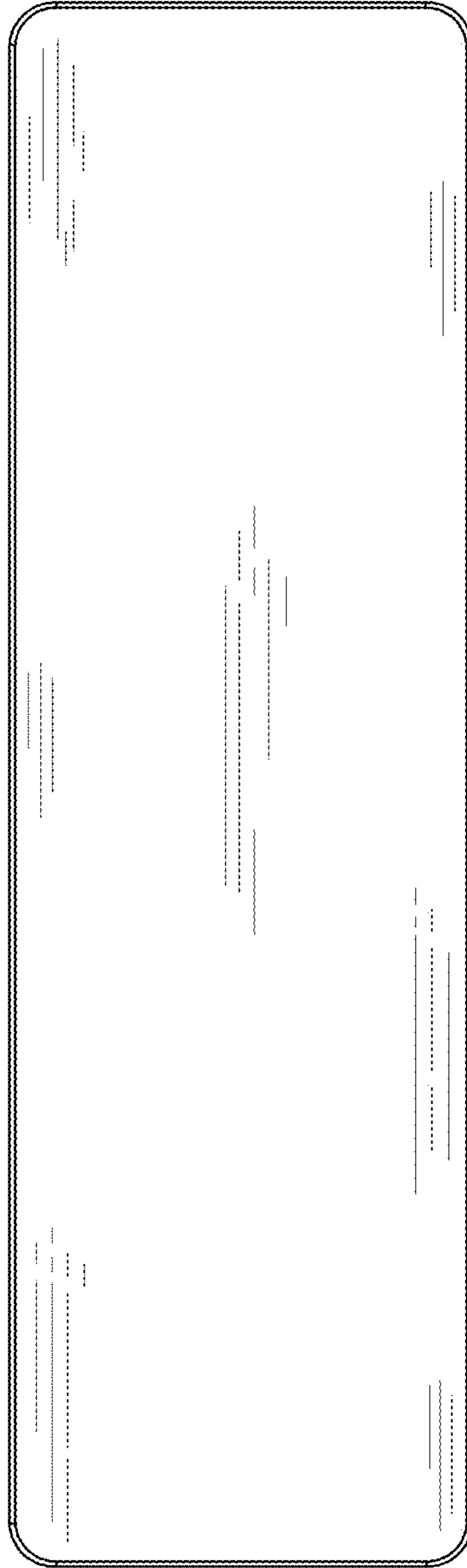


FIG. 8

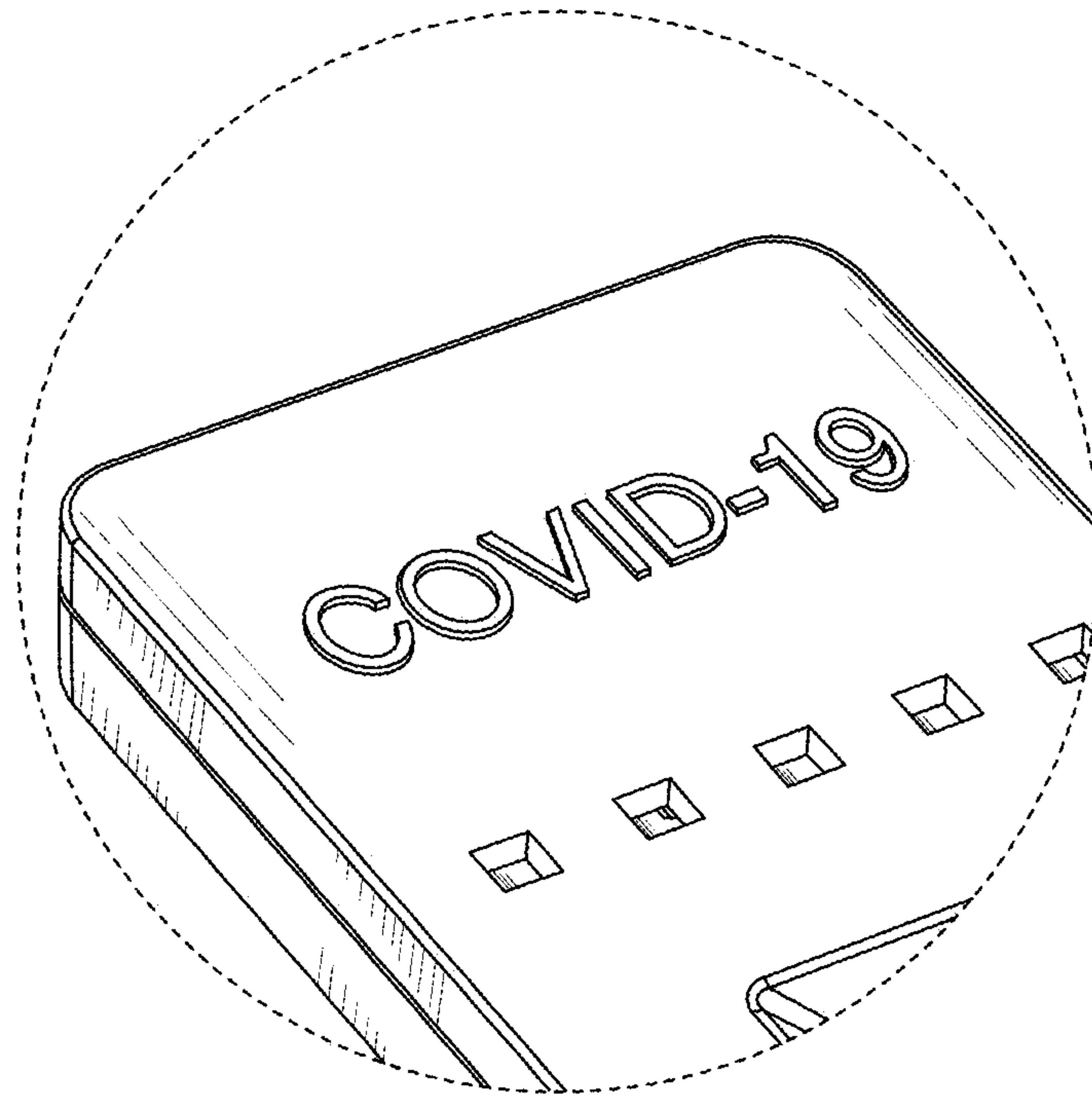


FIG. 9

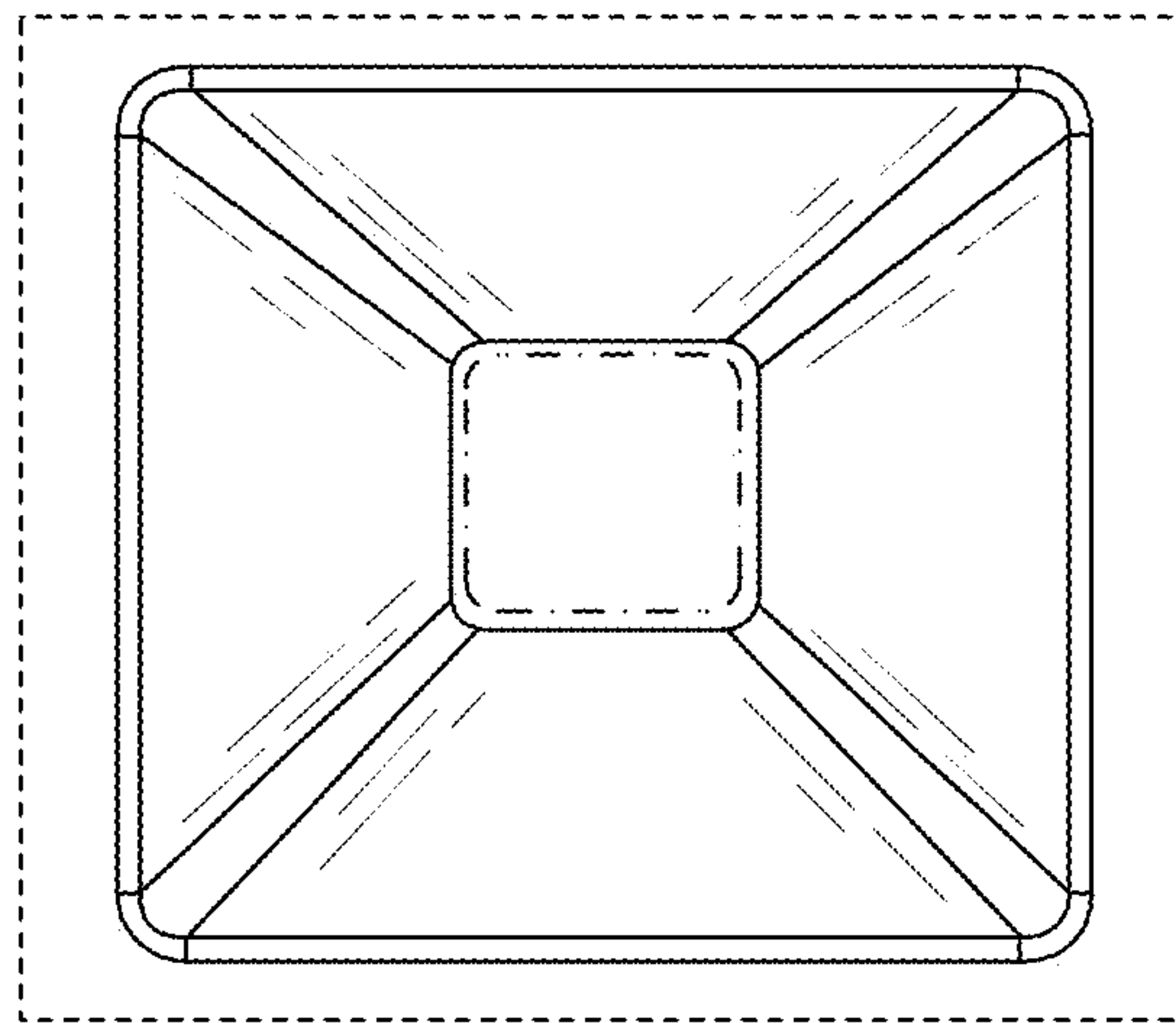


FIG. 10

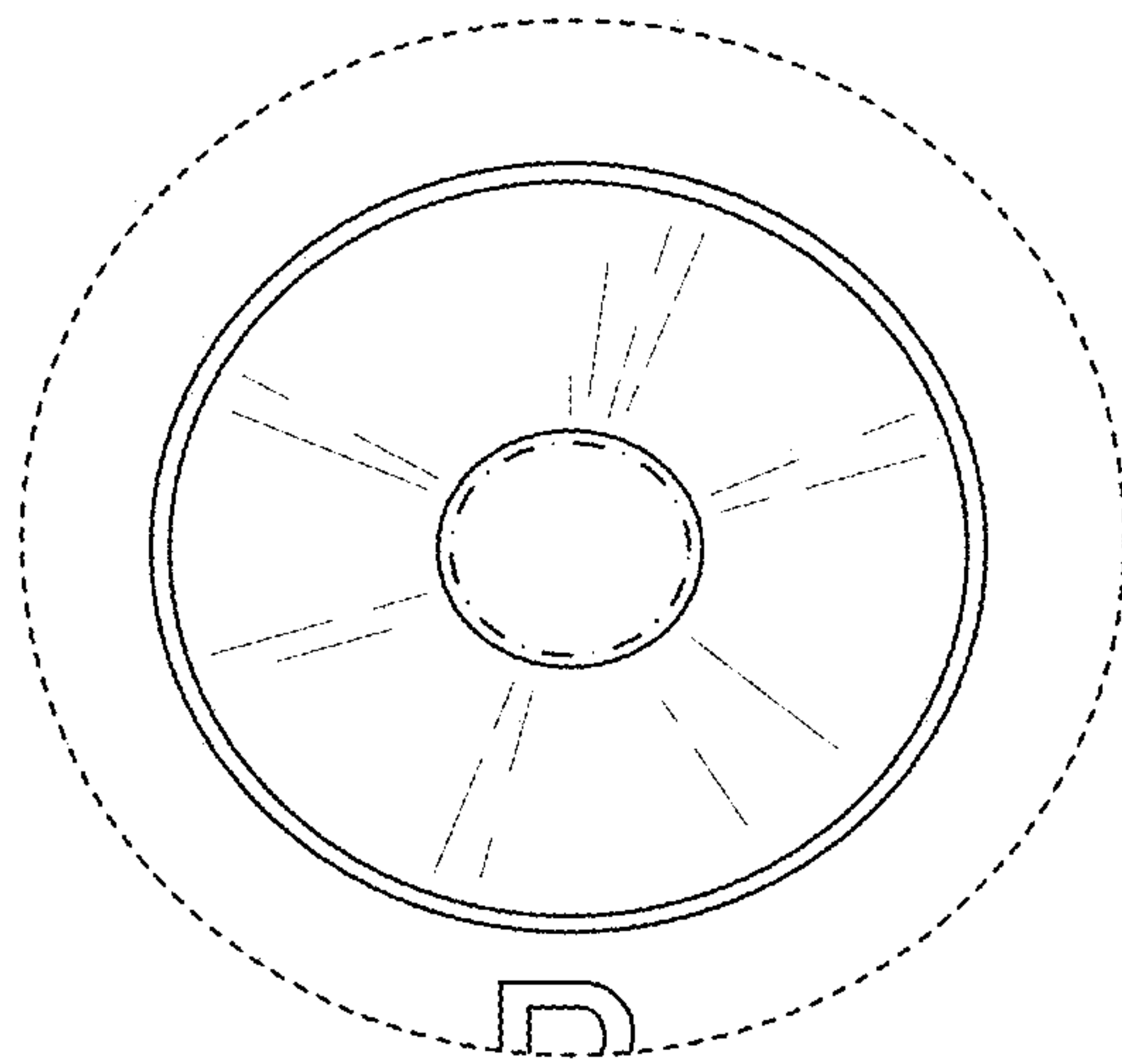


FIG. 11