



US00D959014S

(12) **United States Design Patent**
Kim et al.

(10) **Patent No.:** **US D959,014 S**

(45) **Date of Patent:** **** Jul. 26, 2022**

(54) **DEVICE FOR STERILIZING AND DEODORIZING FOOTWEAR**

(71) Applicants: **LG ELECTRONICS INC.**, Seoul (KR); **HYUNDAI MOTOR COMPANY**, Seoul (KR); **KIA MOTORS CORPORATION**, Seoul (KR)

(72) Inventors: **Dongeun Kim**, Seoul (KR); **Jinwan Bae**, Seoul (KR); **Joungyoung Joung**, Seoul (KR); **Euseok Lee**, Seoul (KR); **Jaebom Im**, Seoul (KR); **Sanghyun Choi**, Seoul (KR); **Daekee Shin**, Seoul (KR)

(73) Assignees: **LG ELECTRONICS INC.**, Seoul (KR); **HYUNDAI MOTOR COMPANY**, Seoul (KR); **KIA MOTORS CORPORATION**, Seoul (KR)

(**) Term: **15 Years**

(21) Appl. No.: **35/510,276**

(22) Filed: **Aug. 18, 2020**

(80) **Hague Agreement Data**

Int. Filing Date: **Aug. 18, 2020**

Int. Reg. No.: **DM/210155**

Int. Reg. Date: **Aug. 18, 2020**

Int. Reg. Pub. Date: **Sep. 18, 2020**

(30) **Foreign Application Priority Data**

Feb. 24, 2020 (KR) 30-2020-0008169

(51) **LOC (13) Cl.** **24-01**

(52) **U.S. Cl.**
USPC **D24/217; D12/416**

(58) **Field of Classification Search**
USPC D2/999, 946, 979; D3/205, 259, 283, D3/295-298, 304, 310, 313, 319, 254,

(Continued)

(56) **References Cited**

U.S. PATENT DOCUMENTS

D199,462 S * 10/1964 Zack D12/424
D200,547 S * 3/1965 MacKay D12/416

(Continued)

OTHER PUBLICATIONS

Tek Deeps. LG Electronics' next-generation shoe management device 'Shoe Styler' to be introduced within this year. Apr. 18, 2021. <https://tekdeeps.com/lg-electronics-next-generation-shoe-management-deviceshoe-styler-to-be-introduced-within-this-year/> (Year: 2021).*

Primary Examiner — Darcey E Gottschalk

(74) *Attorney, Agent, or Firm* — Birch, Stewart, Kolasch & Birch, LLP

(57) **CLAIM**

The ornamental design for a device for sterilizing and deodorizing footwear, as shown and described.

DESCRIPTION

1. Device for sterilizing and deodorizing footwear

1.1 : Perspective

1.2 : Front

1.3 : Back

1.4 : Left

1.5 : Right

1.6 : Top

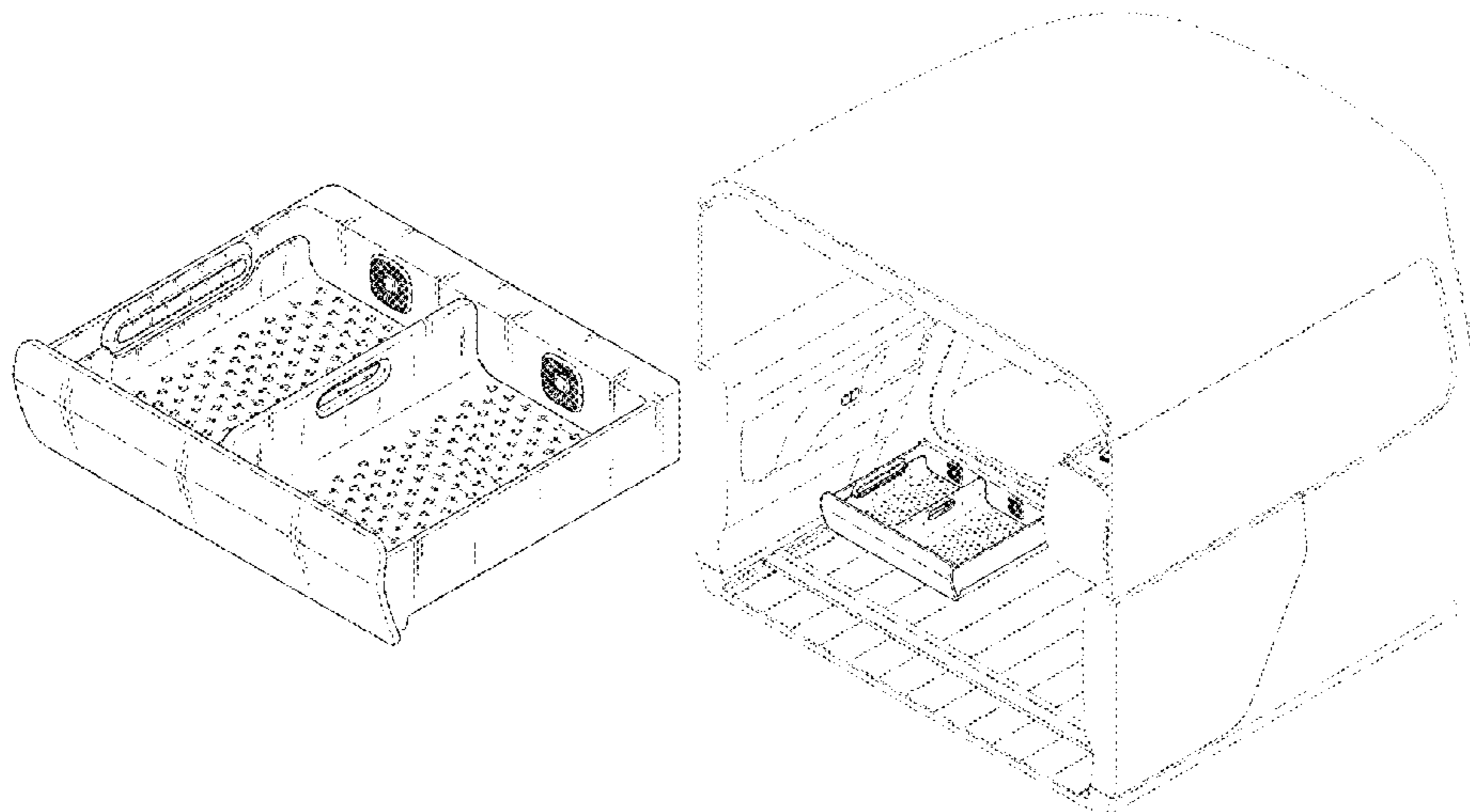
1.7 : Bottom

1.8 : Reference

The broken lines in reproduction 1.8 show the portion of a vehicle where the subject design is installed, are for the purpose of illustrating environmental structure and form no part of the claimed design.

The portion of the design shown in the color grey in Figures 1.3-1.5 and 1.7 is for the purpose of illustrating portions of the device for sterilizing and deodorizing footwear and forms no part of the claimed design.

1 Claim, 8 Drawing Sheets



(58) **Field of Classification Search**

USPC D3/317; D6/704, 315, 319, 552, 558;
D9/456, 499, 737, 749, 755, 760;
D24/217; D28/73, 83; D32/1, 35, 53,
D32/53.1, 55-58, 73, 74, 47; D7/323,
D7/326, 359; D12/221, 400, 406, 414.1,
D12/415, 416, 420, 424, 425, 426
CPC A47G 21/14; A45F 2200/05; A45F
2200/0575; B25H 3/006; B60N 2/46
See application file for complete search history.

(56) **References Cited**

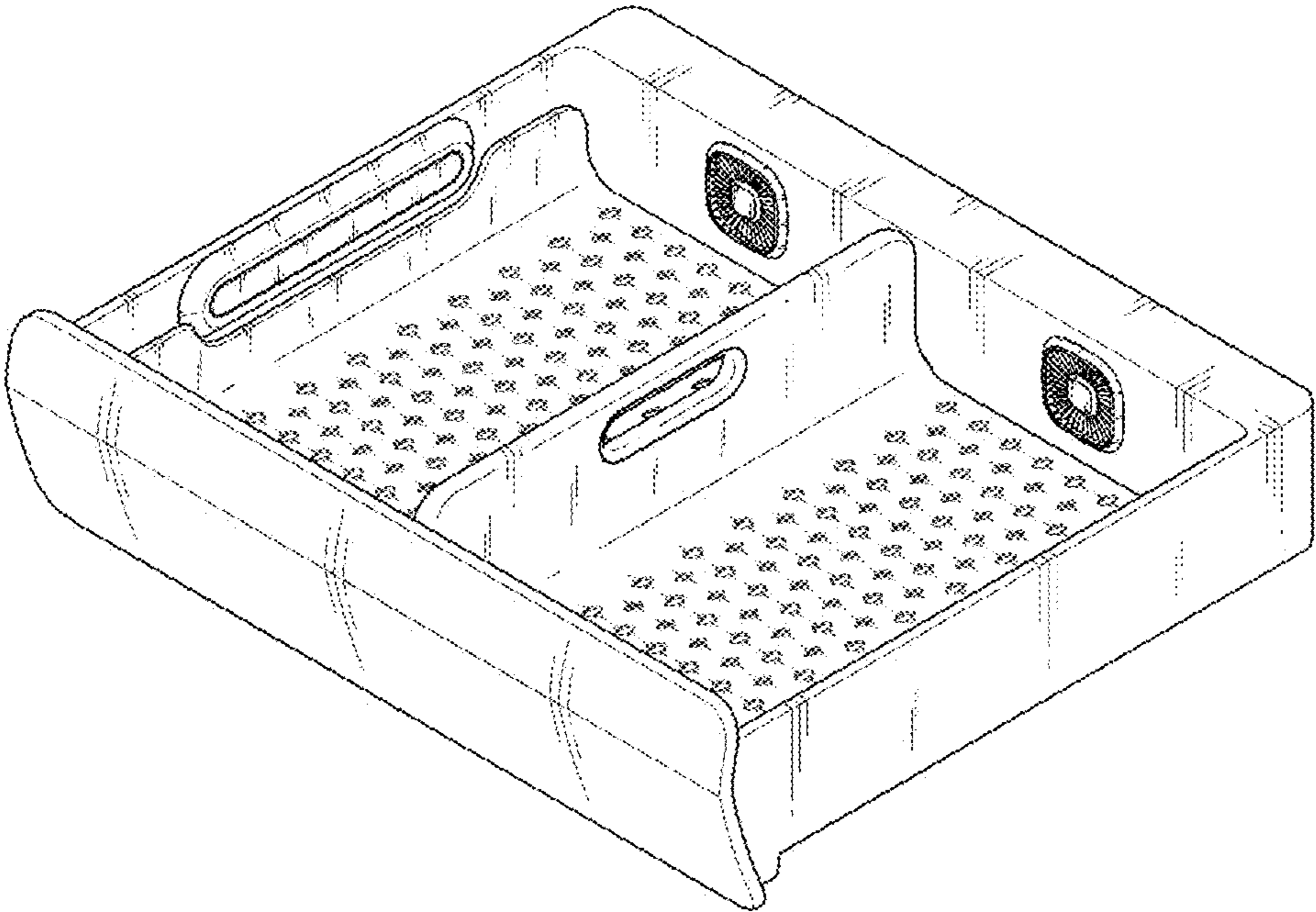
U.S. PATENT DOCUMENTS

3,887,103 A * 6/1975 Spooner B25H 3/06
220/555
D295,075 S * 4/1988 Jerge D24/217
D341,252 S * 11/1993 Ryan D12/221
D346,066 S * 4/1994 Smith D12/416
D364,039 S * 11/1995 Kruger D3/315
D367,172 S * 2/1996 Brightbill D3/310

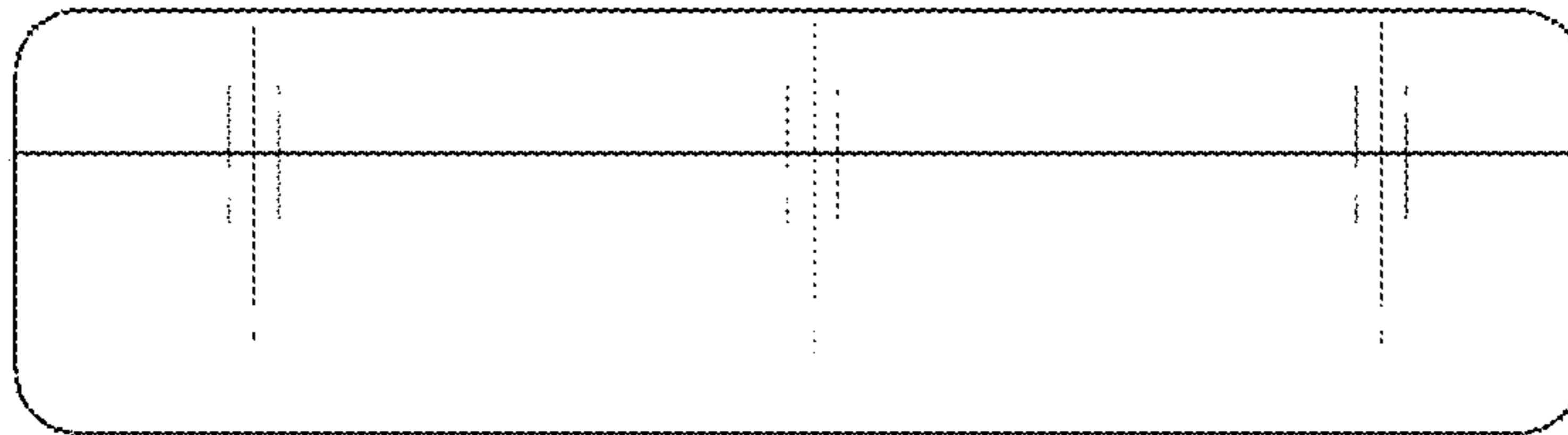
D376,477 S * 12/1996 Patterson, Jr. D3/304
D455,265 S * 4/2002 Smith D3/304
D478,192 S * 8/2003 Lai D28/83
D485,801 S * 1/2004 Smith D12/415
D511,091 S * 11/2005 Liwag D3/304
D520,748 S * 5/2006 Nudo D19/92
D530,824 S * 10/2006 Bennison D24/217
D537,633 S * 3/2007 Marnell, II D3/313
D546,271 S * 7/2007 Hanson D12/426
D557,047 S * 12/2007 Dretzka D3/304
D563,673 S * 3/2008 Dretzka D3/304
D583,152 S * 12/2008 Keeney D3/301
D639,563 S * 6/2011 Chilewich D3/313
D643,311 S * 8/2011 Meyers D9/761
D645,708 S * 9/2011 Stamper D7/602
D653,605 S * 2/2012 Stroud D12/425
D751,784 S * 3/2016 Robbins, III D32/55
D802,928 S * 11/2017 Serimian D3/313
D846,281 S * 4/2019 Greenwood D3/313
D876,836 S * 3/2020 Stevens D3/313
D879,015 S * 3/2020 Besley D12/424
D891,777 S * 8/2020 Newton D3/304
D940,049 S * 1/2022 Lucca D12/416

* cited by examiner

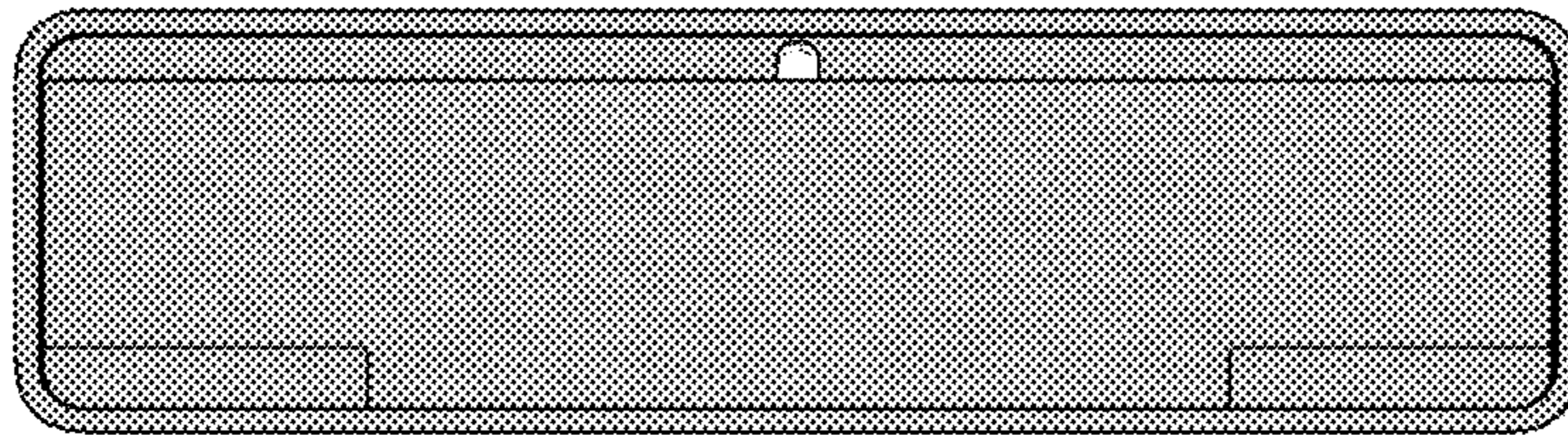
1.1



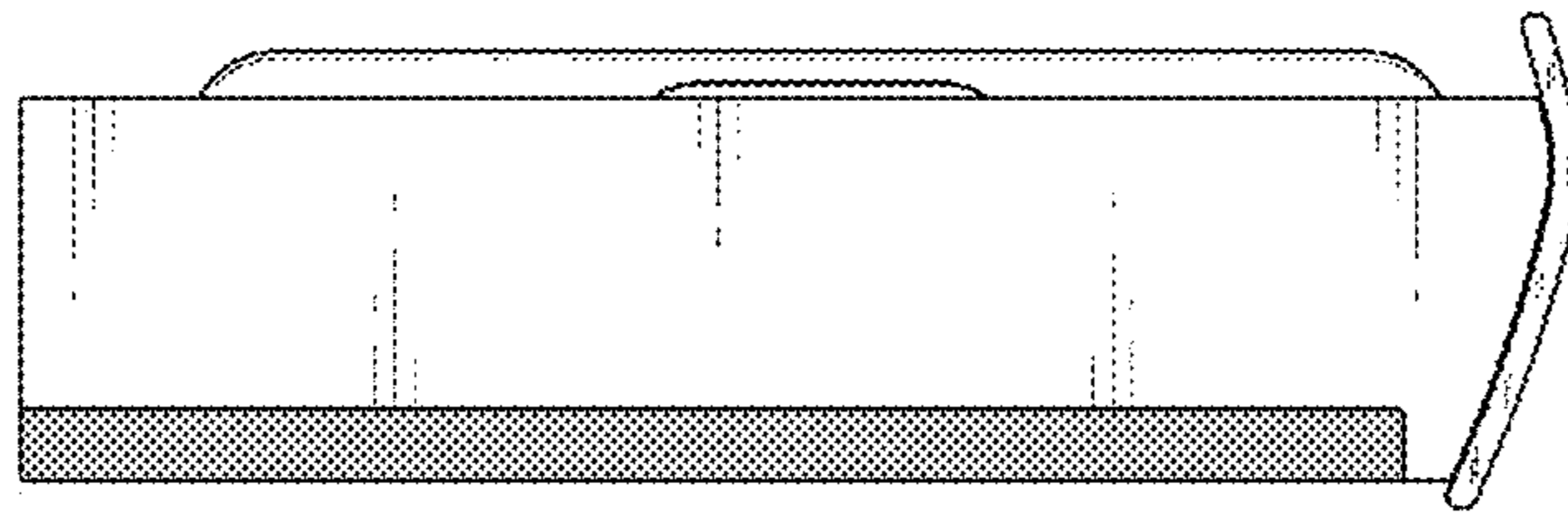
1.2



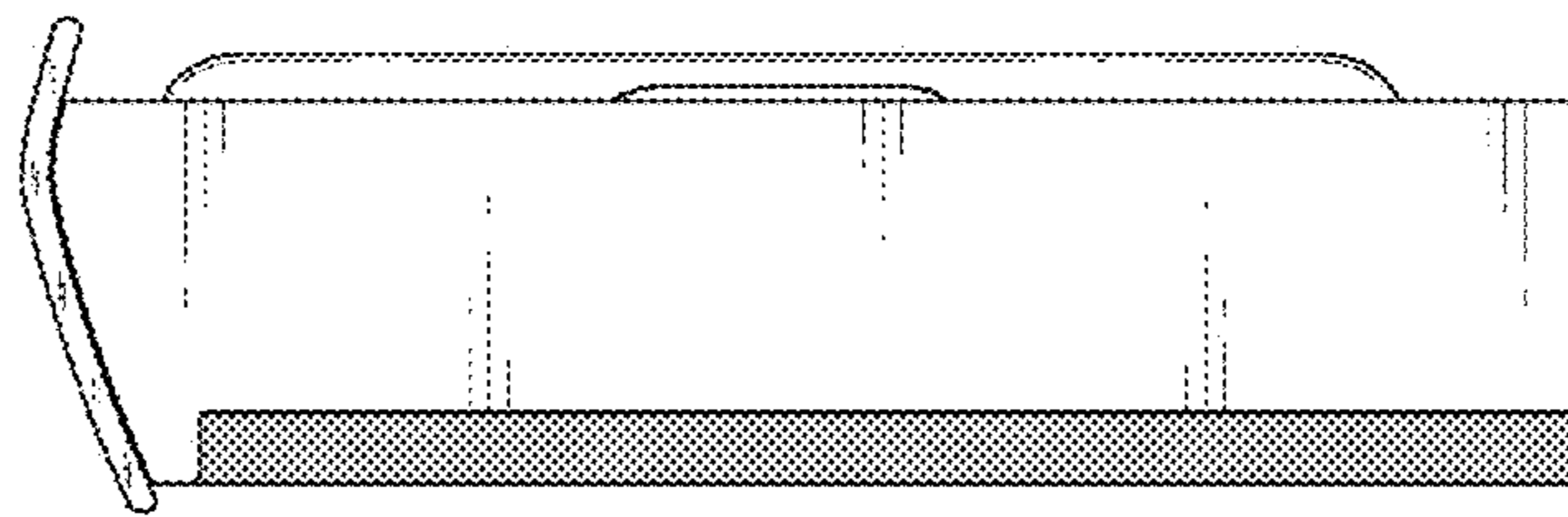
1.3



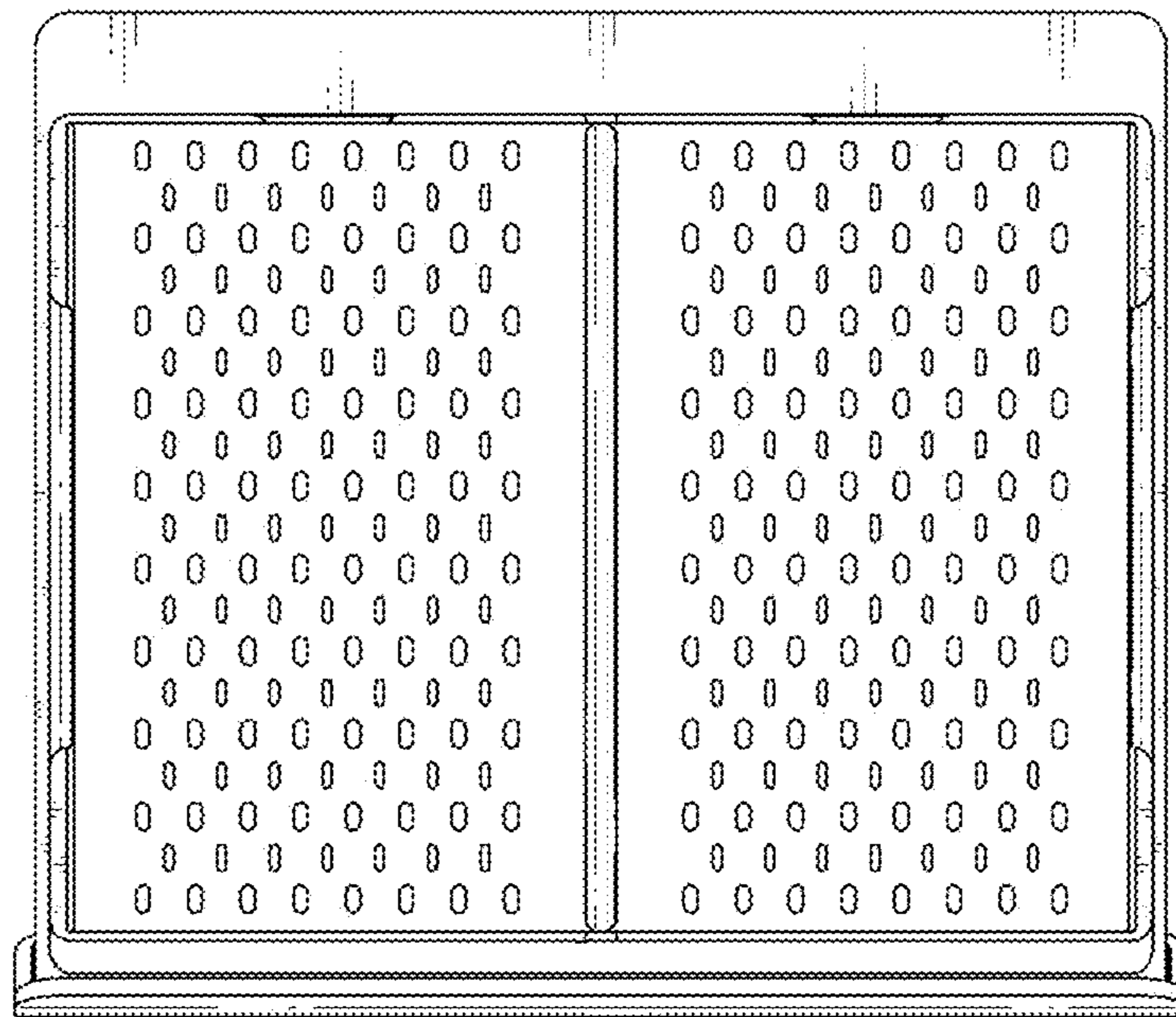
1.4



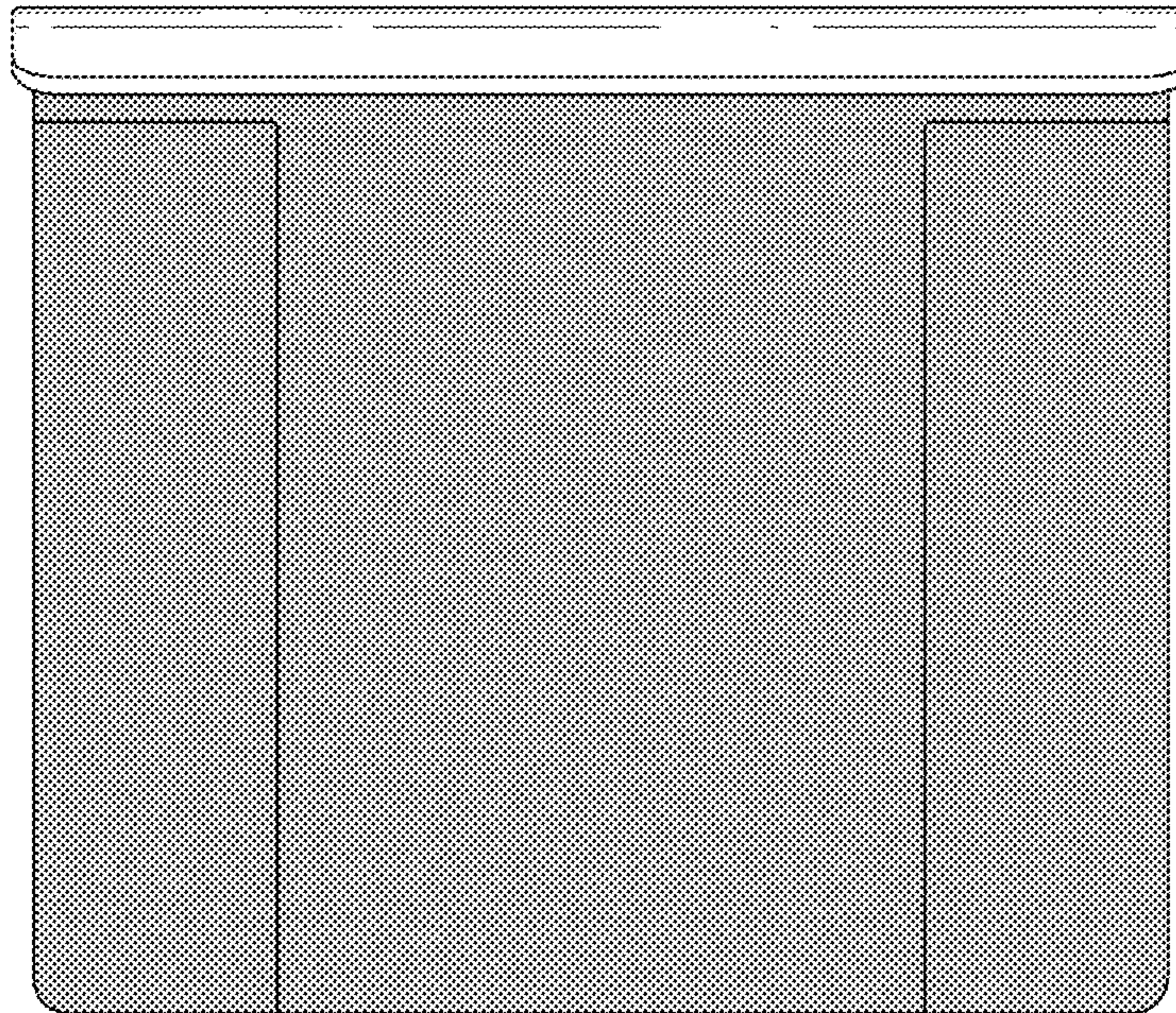
1.5



1.6



1.7



1.8

