



US00D959013S

(12) **United States Design Patent** (10) **Patent No.:** **US D959,013 S**
Ou Yang (45) **Date of Patent:** **** Jul. 26, 2022**

(54) **UVC LED TOY STERILIZING BAG**

(56) **References Cited**

(71) Applicant: **SHENZHEN UVLED OPTICAL TECHNOLOGY CO., LTD.**,
Guangdong (CN)

(72) Inventor: **Chen Yi Ou Yang**, Ningyuan County
(CN)

(73) Assignee: **SHENZHEN UVLED OPTICAL TECHNOLOGY CO., LTD.**,
Guangdong (CN)

(**) Term: **15 Years**

(21) Appl. No.: **29/675,306**

(22) Filed: **Dec. 31, 2018**

(30) **Foreign Application Priority Data**

Sep. 30, 2018 (CN) 201830556048.X

(51) **LOC (13) Cl.** **24-01**

(52) **U.S. Cl.**
USPC **D24/217**
CPC **B65D 47/18** (2013.01)

(58) **Field of Classification Search**

USPC D24/107, 108, 110, 110.4–110.11,
D24/111–115, 123, 130, 133, 141, 152,
D24/186, 215, 116, 216–219, 231, 232,
D24/164; D3/200, 201, 203.1, 203.2,
D3/232, 243, 244, 300; D32/1
CPC A61F 9/0008; A61F 9/0026; A61F
2230/0091; A61F 2250/0004; B65D
47/18; B65D 83/30; B01L 3/0282; A61H
35/02; A61H 2201/0153; A61M 35/003;
A61M 35/00; A61M 2210/0612; A61L
2/26; A61L 2/24; A61L 2/17; A61L 2/18;
A61L 2/025; A61L 2202/122; A61L
2202/10; A61L 2202/11; A61L 2202/14;
A61L 2202/23; A61L 2202/24; A61L
2202/182

See application file for complete search history.

U.S. PATENT DOCUMENTS

3,514,919	A *	6/1970	Richard	B65B 55/12 53/469
4,798,292	A *	1/1989	Hauze	A61L 2/26 206/439
D351,729	S *	10/1994	Weber-Unger	D3/202
D389,647	S *	1/1998	White	D3/285
D596,856	S *	7/2009	Udwin	D3/289
D602,253	S *	10/2009	Rees	D3/289
D774,759	S *	12/2016	Beilman	D3/288
D854,705	S *	7/2019	Ouyang	D24/217
D862,723	S *	10/2019	Ouyang	D24/217
D872,477	S *	1/2020	Perella	D3/901
D872,871	S *	1/2020	Roberts	D3/203.1
D880,860	S *	4/2020	Liu	D9/702
D884,918	S *	5/2020	Roberts	D24/217
D889,824	S *	7/2020	Hanley	D3/243
D892,045	S *	8/2020	Zhang	D26/51
D893,740	S *	8/2020	Lv	D24/217
D904,755	S *	12/2020	Birger	D14/205
D908,346	S *	1/2021	Blanchette	D3/203.5

(Continued)

Primary Examiner — Richard E Chilcot

(74) *Attorney, Agent, or Firm* — Juan Carlos A. Marquez;
Marquez IP Law Office, PLLC

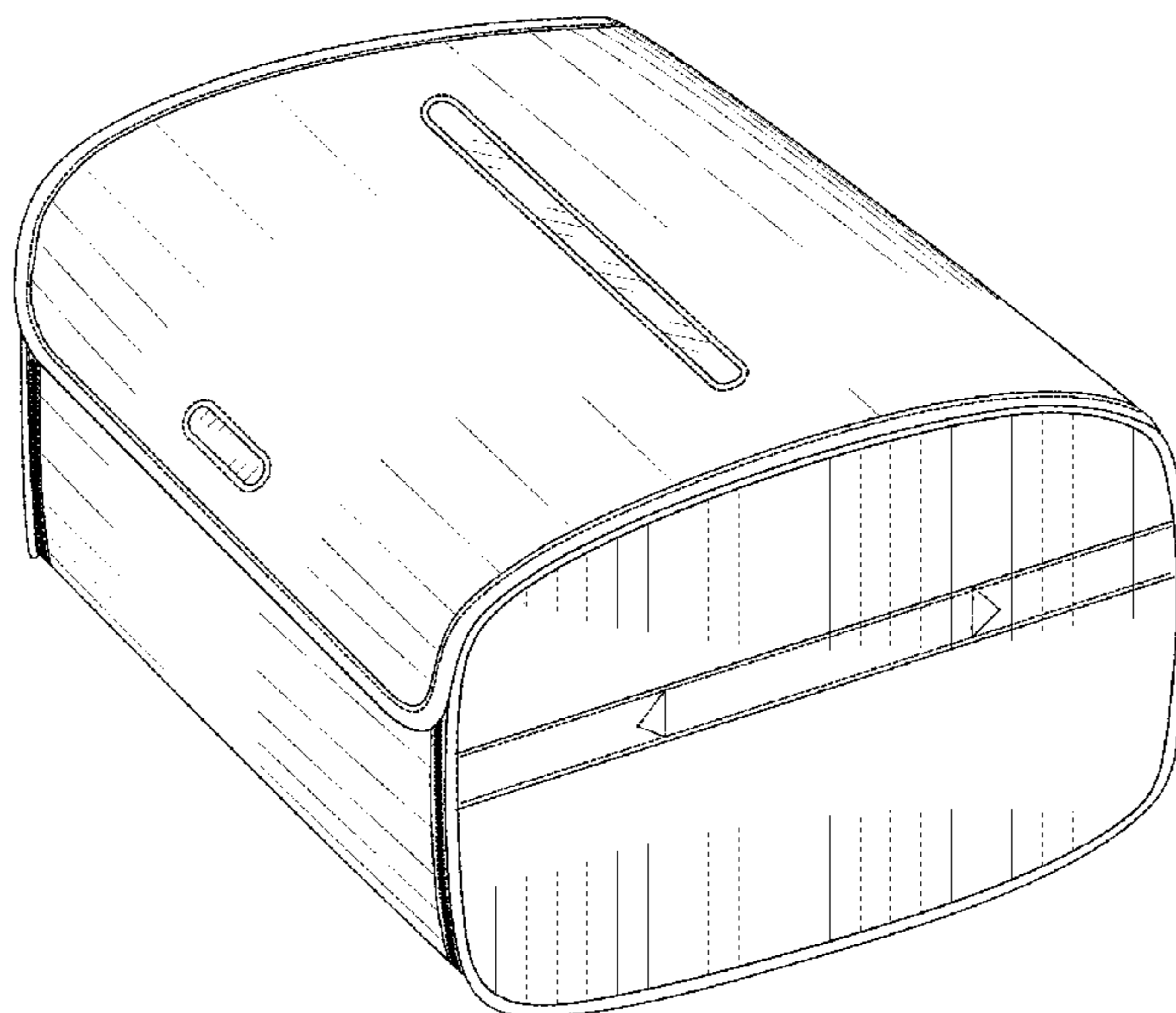
(57) **CLAIM**

The ornamental design for an UVC LED toy sterilizing bag,
as shown and described.

DESCRIPTION

FIG. 1 is a perspective view of an UVC LED toy sterilizing bag, showing my new design;
FIG. 2 is a front view thereof;
FIG. 3 is a rear view thereof;
FIG. 4 is a left-side view thereof;
FIG. 5 is a right-side view thereof;
FIG. 6 is a top view thereof; and,
FIG. 7 is a bottom view thereof.

1 Claim, 4 Drawing Sheets



(56)

References Cited

U.S. PATENT DOCUMENTS

D909,063 S * 2/2021 Loudenslager D3/290
D911,792 S * 3/2021 Candela D7/709
D914,364 S * 3/2021 Ou Yang D3/289
D919,109 S * 5/2021 Ou Yang D24/217
D927,013 S * 8/2021 Ou Yang D24/217
D928,429 S * 8/2021 Ou Yang D32/1
D937,559 S * 12/2021 Tartaglia D3/289
D945,009 S * 3/2022 Ahn D24/217
D945,637 S * 3/2022 Park D24/217
2010/0143188 A1* 6/2010 Roiniotis A61L 2/10
250/455.11
2012/0068088 A1* 3/2012 Durkin A61L 2/10
250/492.1
2014/0127077 A1* 5/2014 Rock A61L 2/18
604/20
2021/0330847 A1* 10/2021 Ou Yang A61L 2/06
2021/0348843 A1* 11/2021 Ou Yang F26B 3/04

* cited by examiner

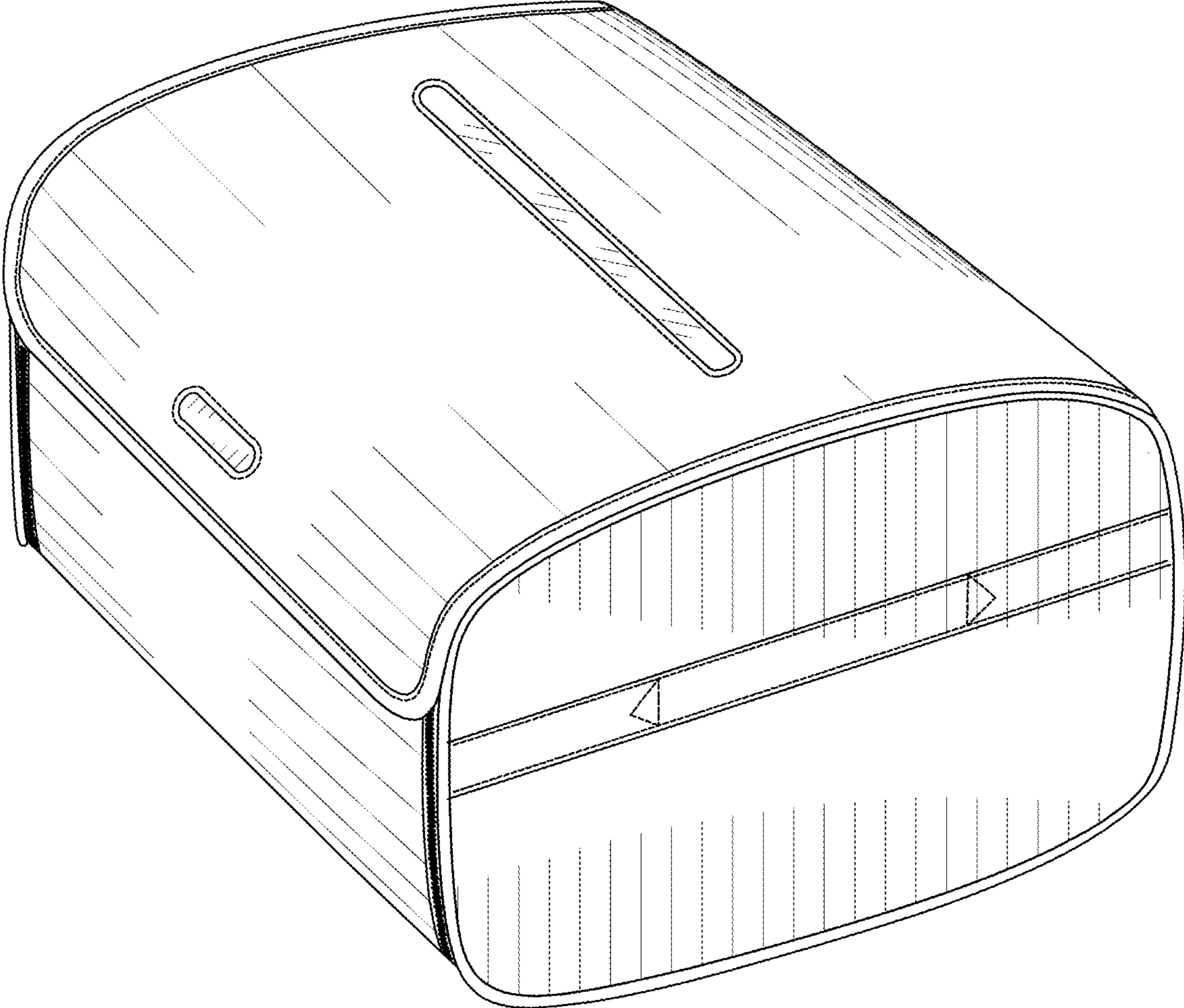


FIG. 1

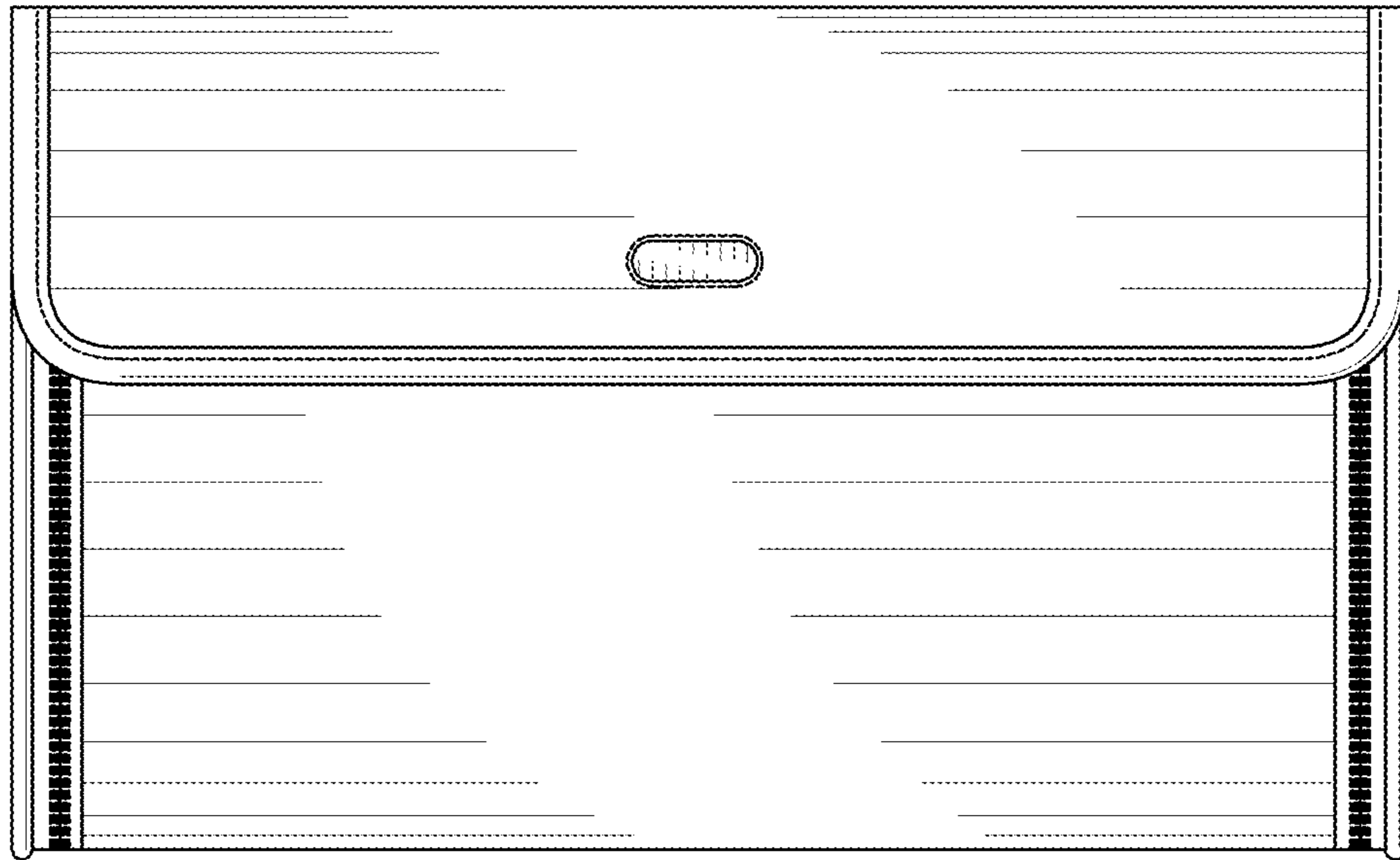


FIG. 2

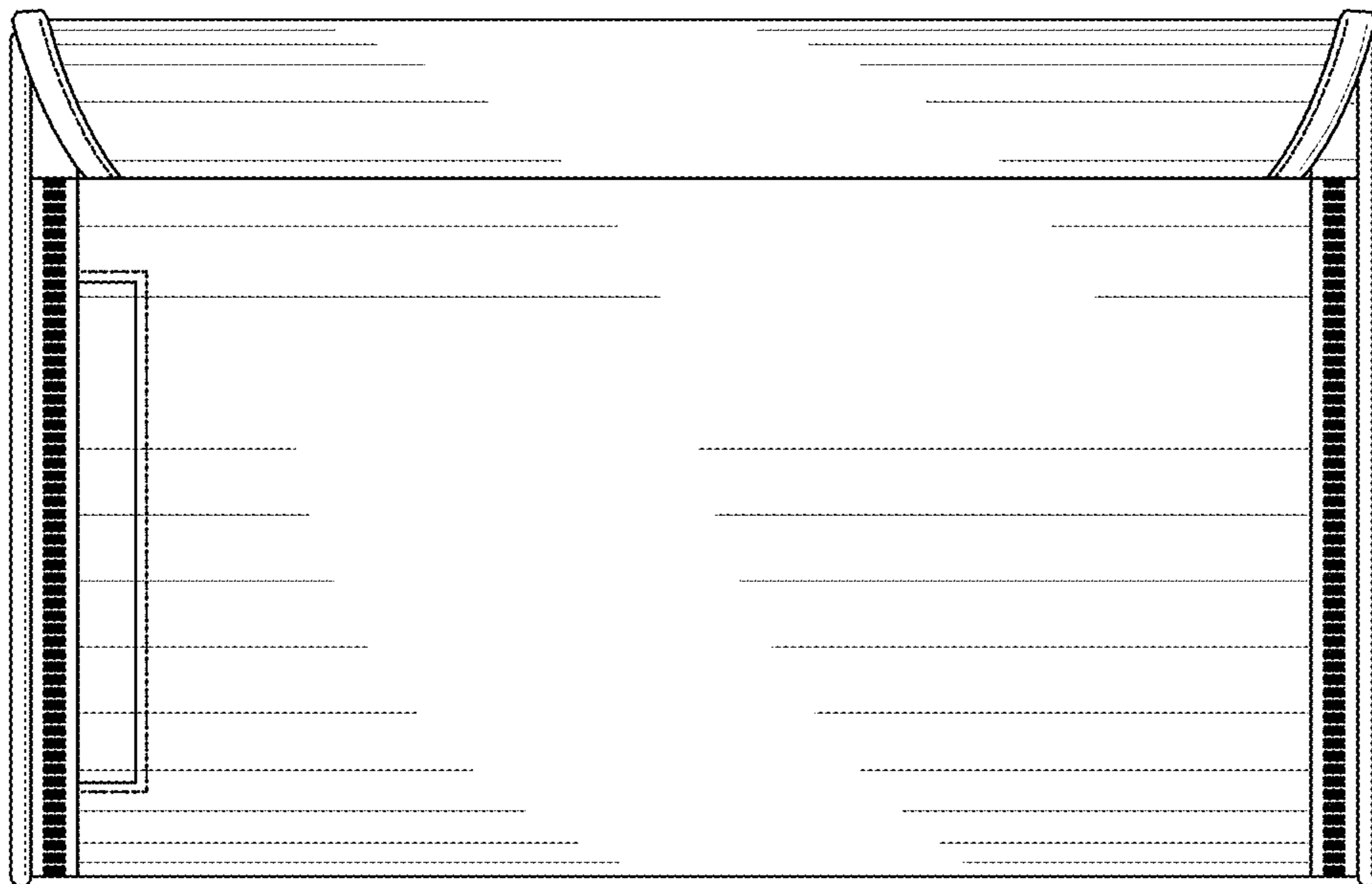


FIG. 3

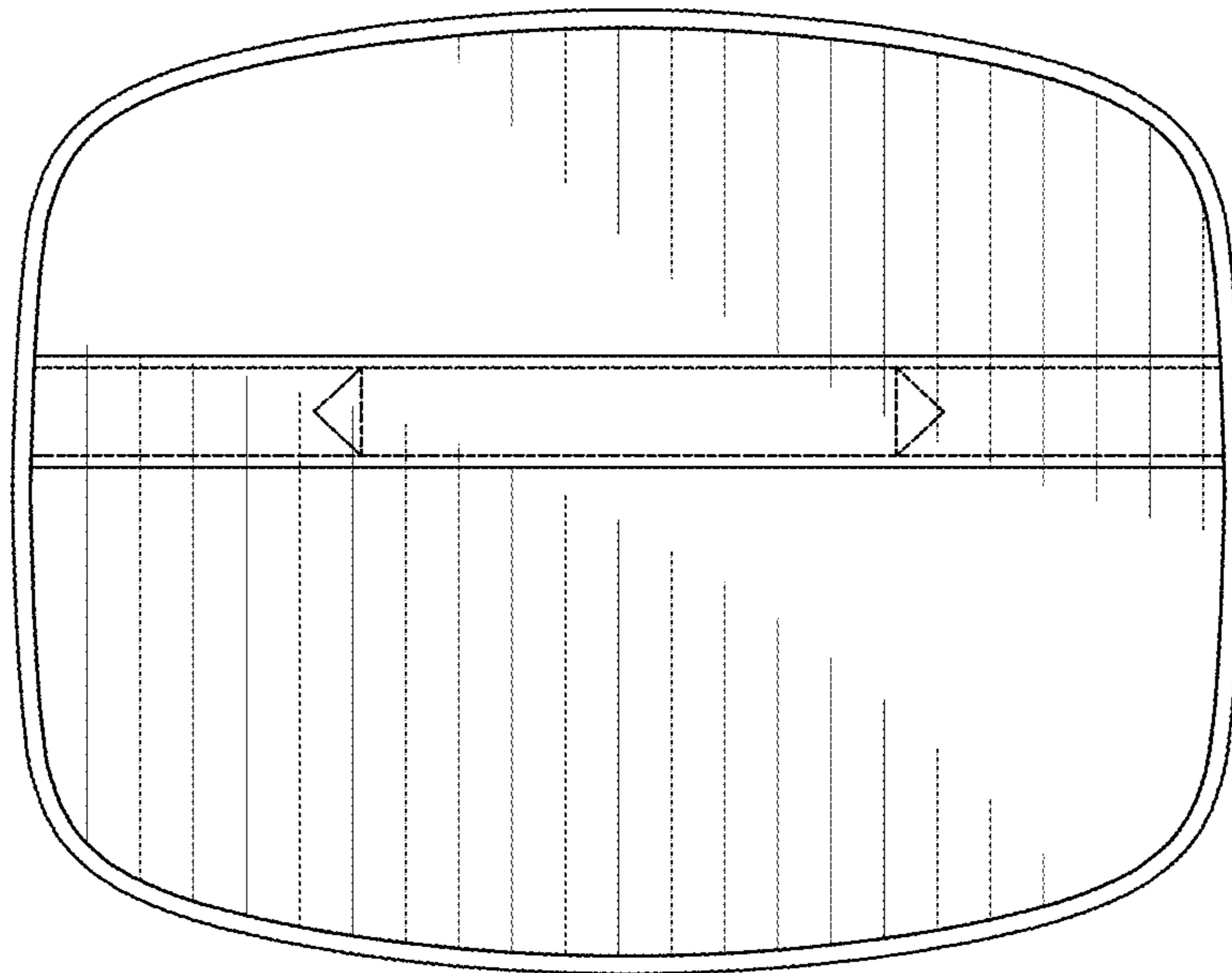


FIG. 4

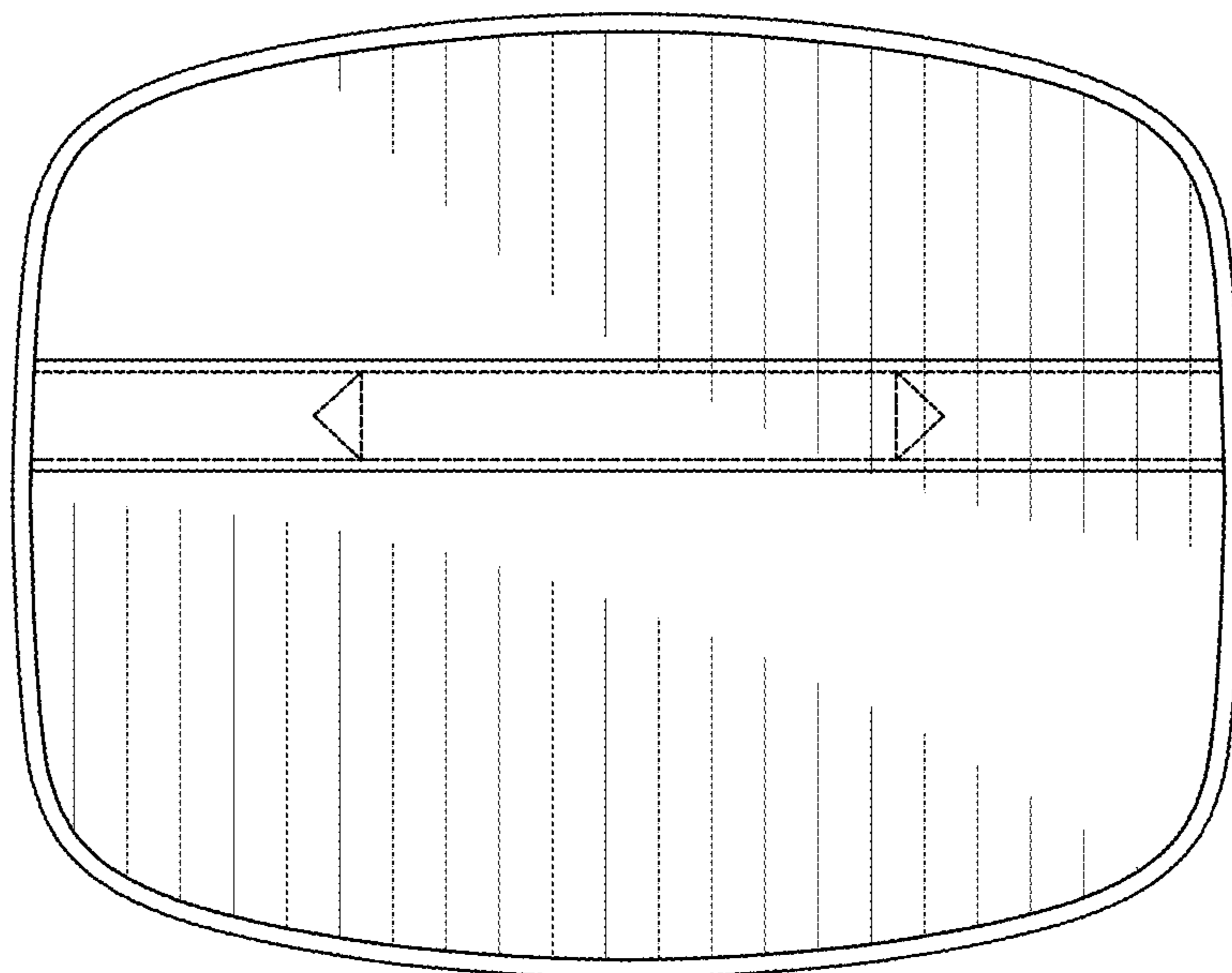


FIG. 5

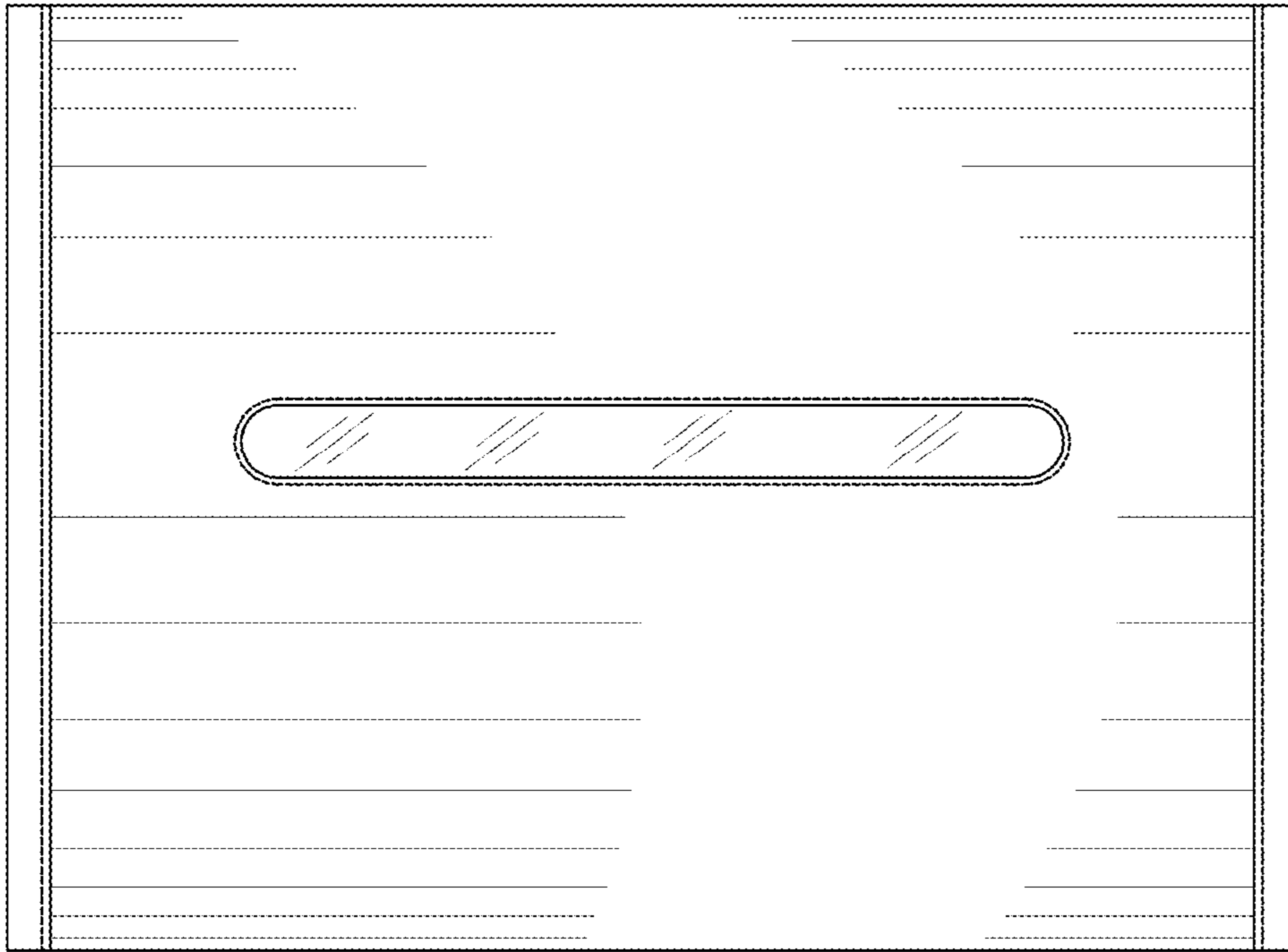


FIG. 6

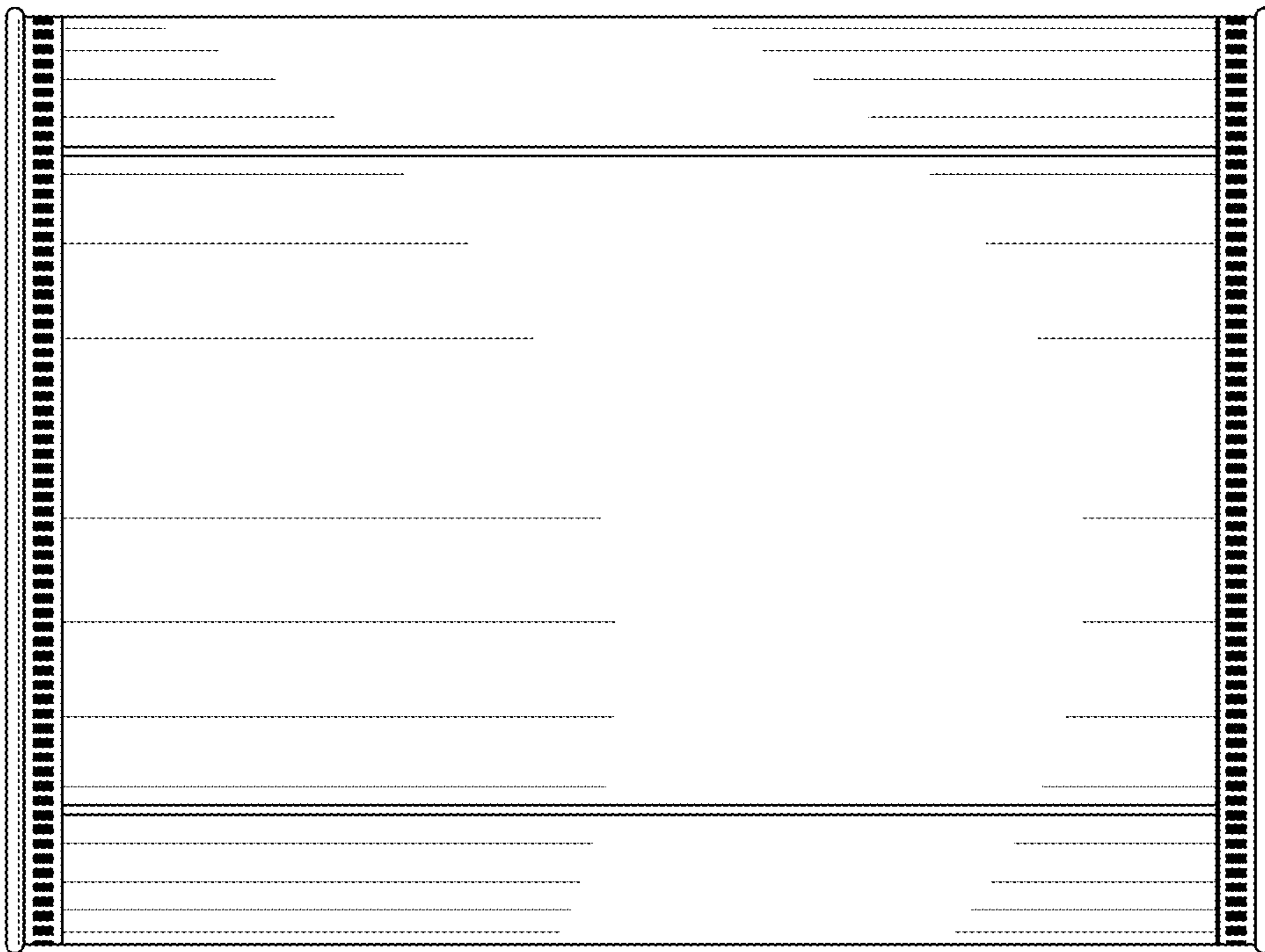


FIG. 7