



US00D959009S

(12) **United States Design Patent**
Zhou

(10) **Patent No.:** **US D959,009 S**

(45) **Date of Patent:** **** Jul. 26, 2022**

(54) **MESSAGE DEVICE**

(71) Applicant: **LISHUI RIFENG ELECTRICAL APPLIANCE CO., LTD.**, Lishui (CN)

(72) Inventor: **Weifeng Zhou**, Lishui (CN)

(**) Term: **15 Years**

(21) Appl. No.: **29/752,294**

(22) Filed: **Sep. 25, 2020**

(30) **Foreign Application Priority Data**

Aug. 10, 2020 (CN) 202030450905.5

(51) **LOC (13) Cl.** **28-03**

(52) **U.S. Cl.**
USPC **D24/215**

(58) **Field of Classification Search**
USPC D24/200, 203, 205, 211, 212, 213, 214, D24/215
CPC A61H 2205/12; A61H 2201/164; A61H 2205/125; A61H 35/00; A61H 1/0266
See application file for complete search history.

(56) **References Cited**

U.S. PATENT DOCUMENTS

D269,636 S * 7/1983 MacGregor D24/212
D535,402 S * 1/2007 Lifeng D24/213

D548,353 S * 8/2007 Maesawa D24/212
D590,065 S * 4/2009 Yuyama D24/212
D917,713 S * 4/2021 Zhou D24/215
D923,807 S * 6/2021 Long D24/213
2007/0232968 A1* 10/2007 Watanabe A61H 7/001
601/93
2008/0010851 A1* 1/2008 Avanzini A47K 10/48
34/90

* cited by examiner

Primary Examiner — Michael A Maharajh

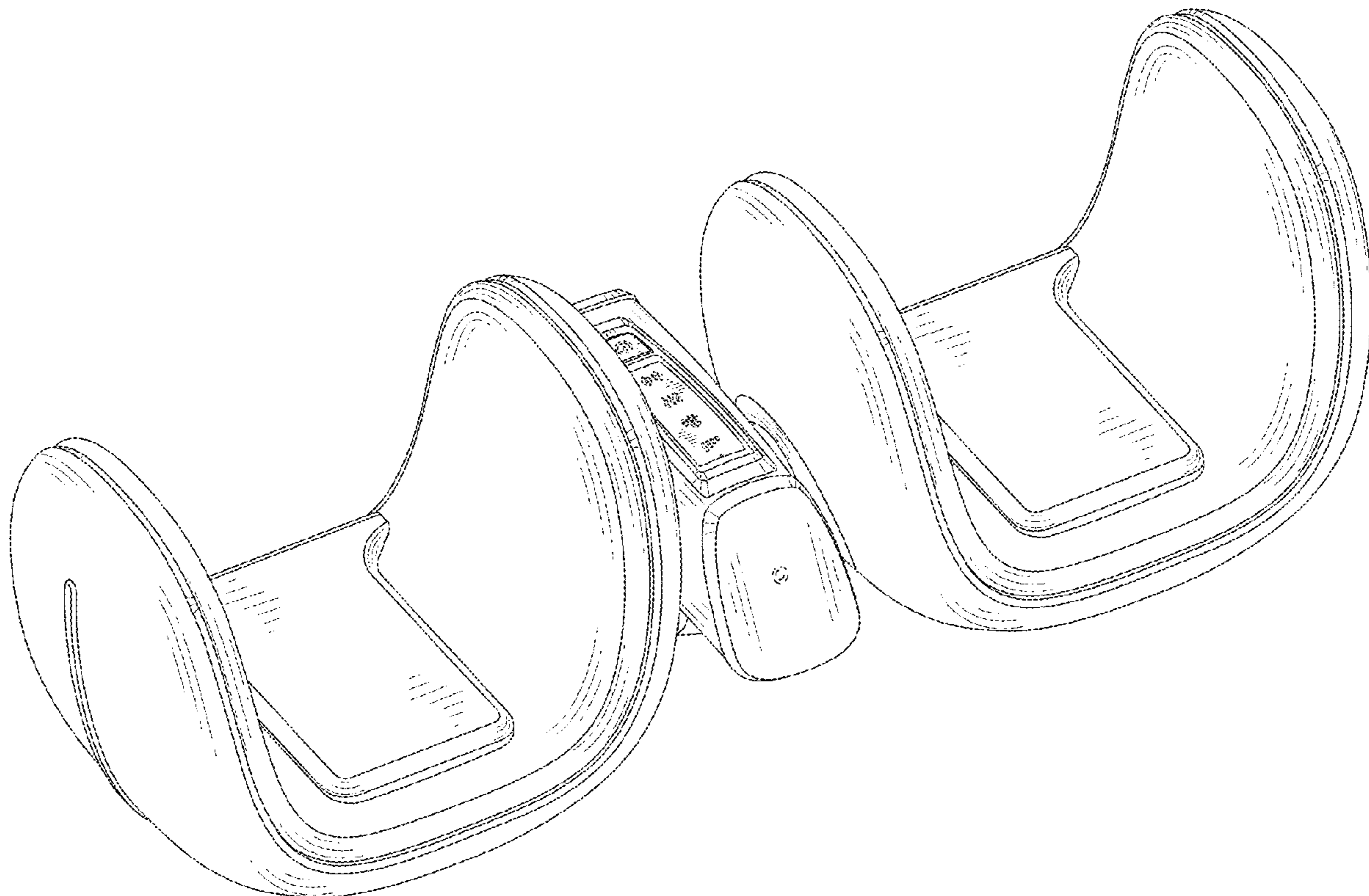
(57) **CLAIM**

The ornamental design for a message device, as shown and described.

DESCRIPTION

FIG. 1 is a perspective view of a message device showing my new design;
FIG. 2 is another perspective view thereof;
FIG. 3 is a front view thereof;
FIG. 4 is a rear view thereof;
FIG. 5 is a left side view thereof;
FIG. 6 is a right side view thereof;
FIG. 7 is a top plan view thereof; and,
FIG. 8 is a bottom plan view thereof.
The broken lines shown in the drawings are for the purpose of illustrating portions of the message device, which form no part of the claimed design.

1 Claim, 8 Drawing Sheets



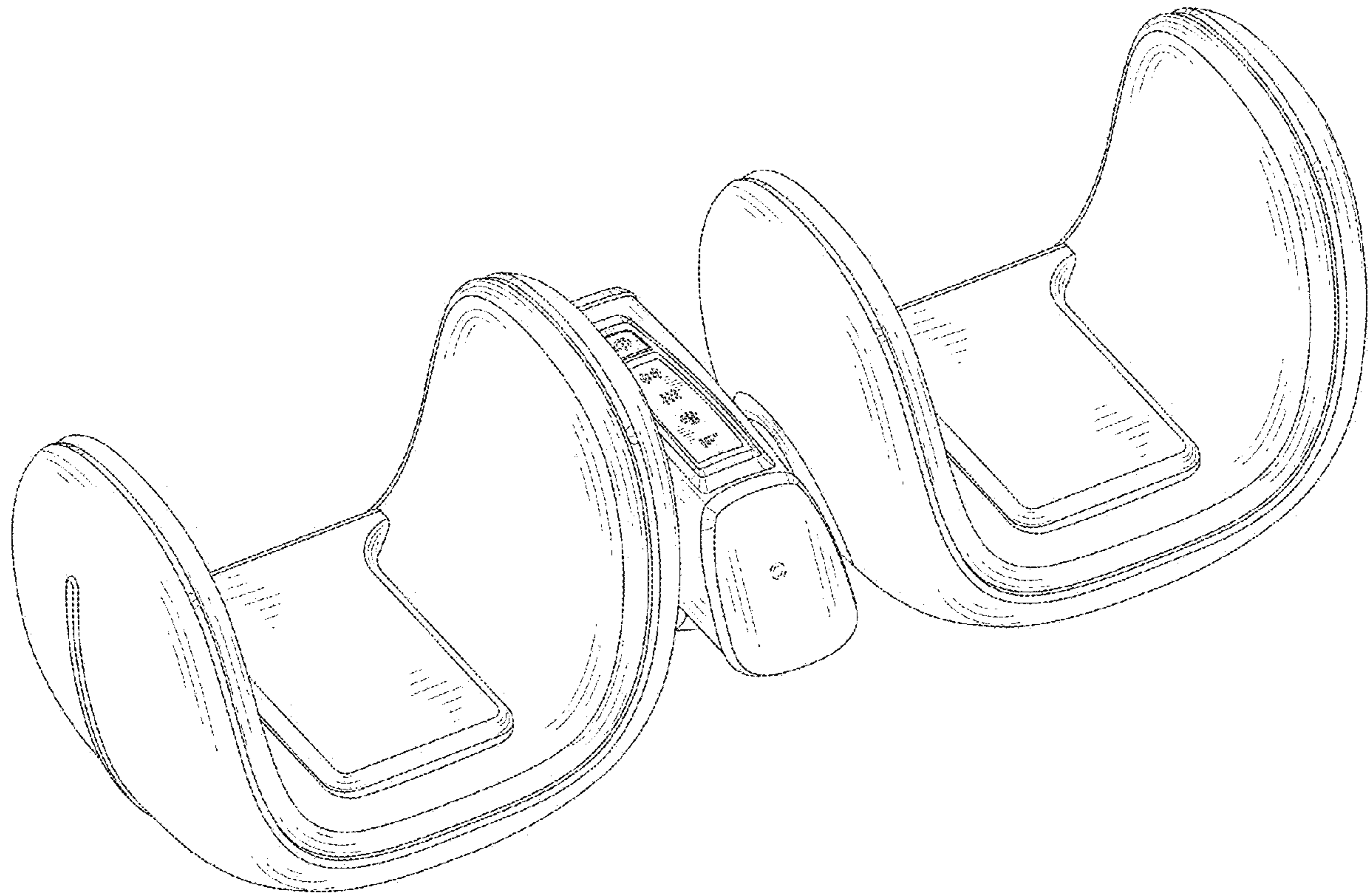


FIG. 1

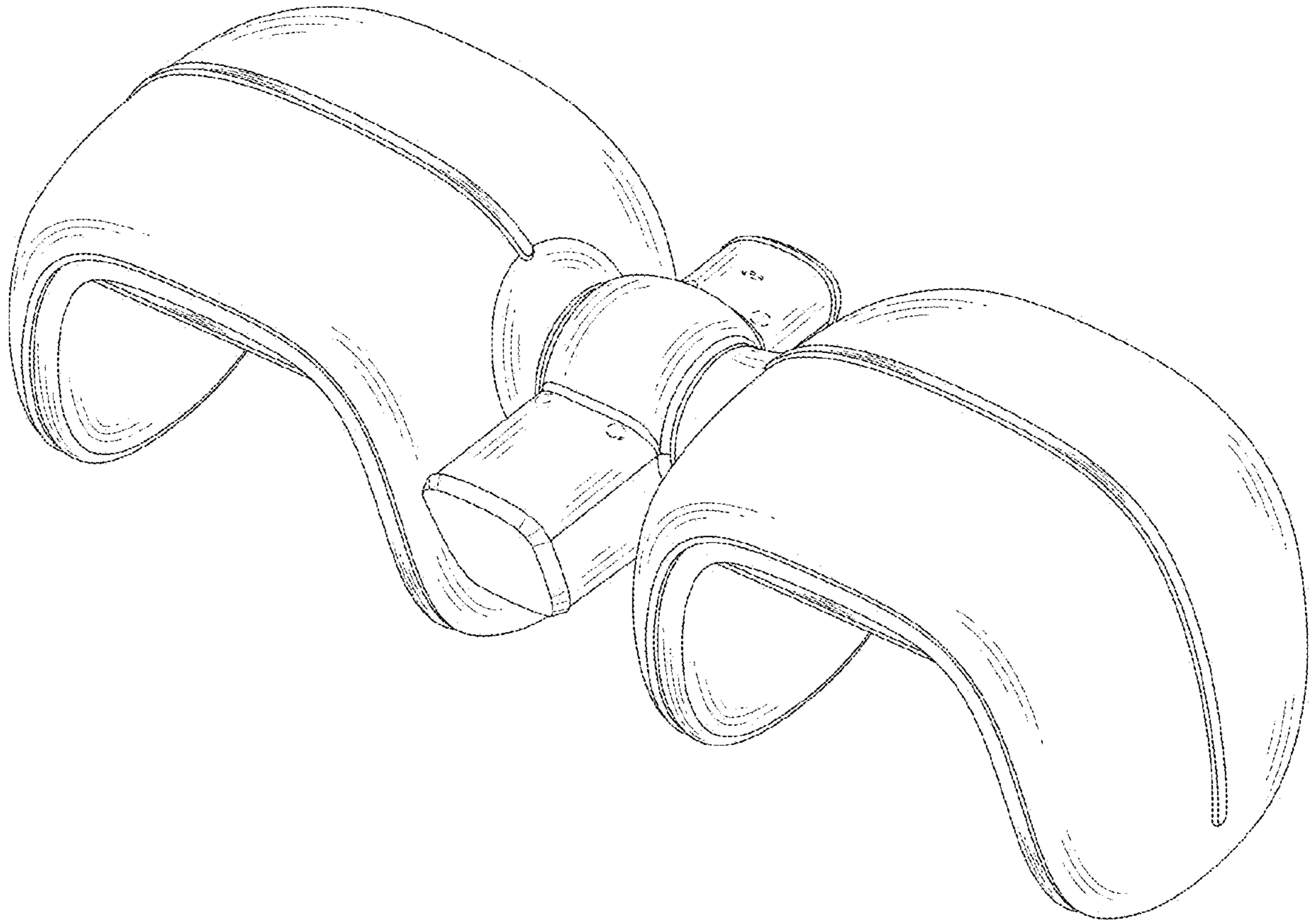


FIG. 2

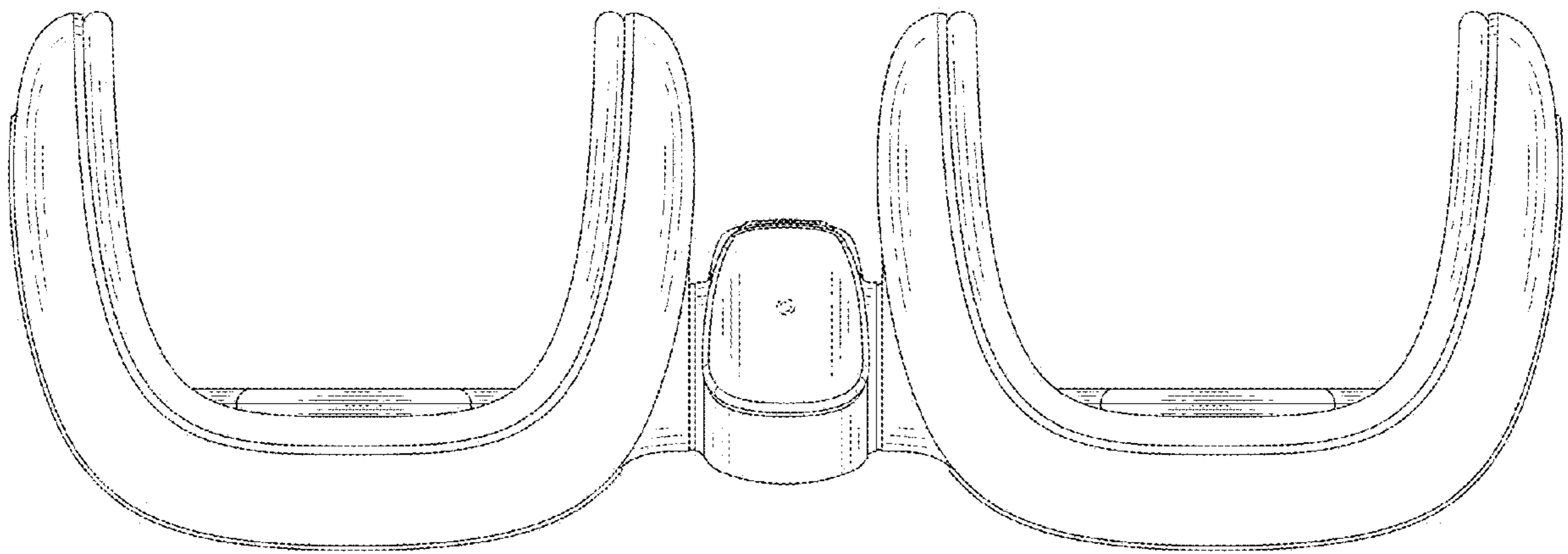


FIG.3

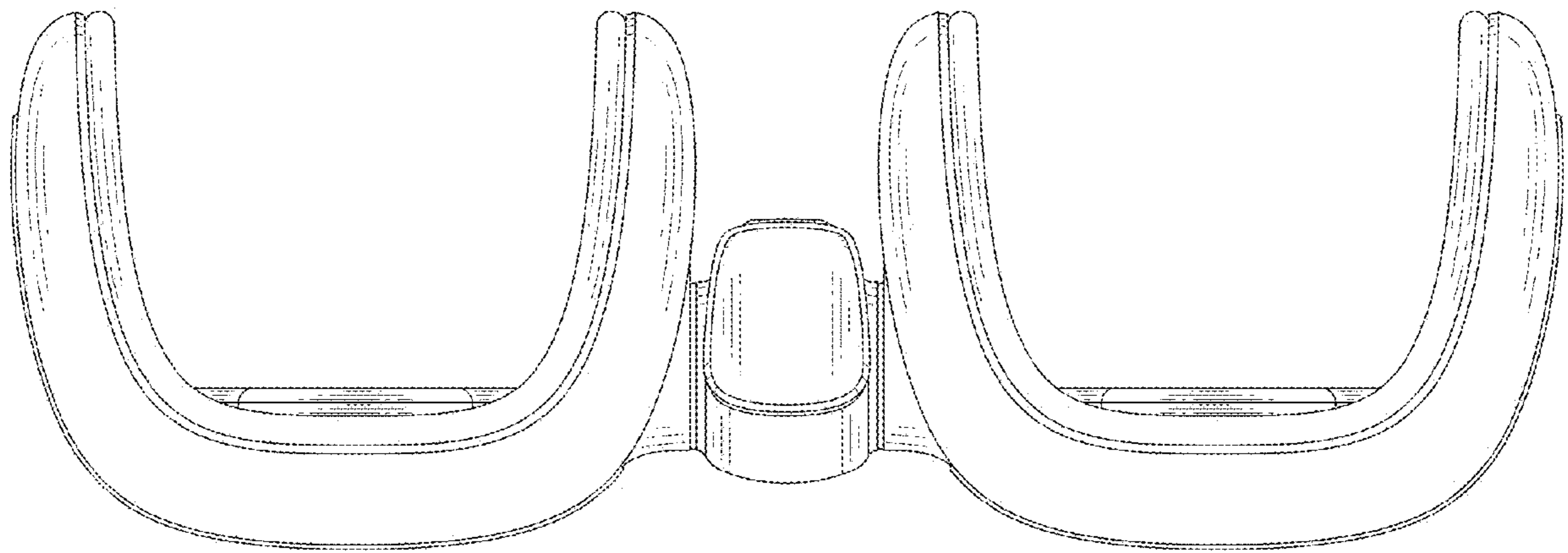


FIG.4

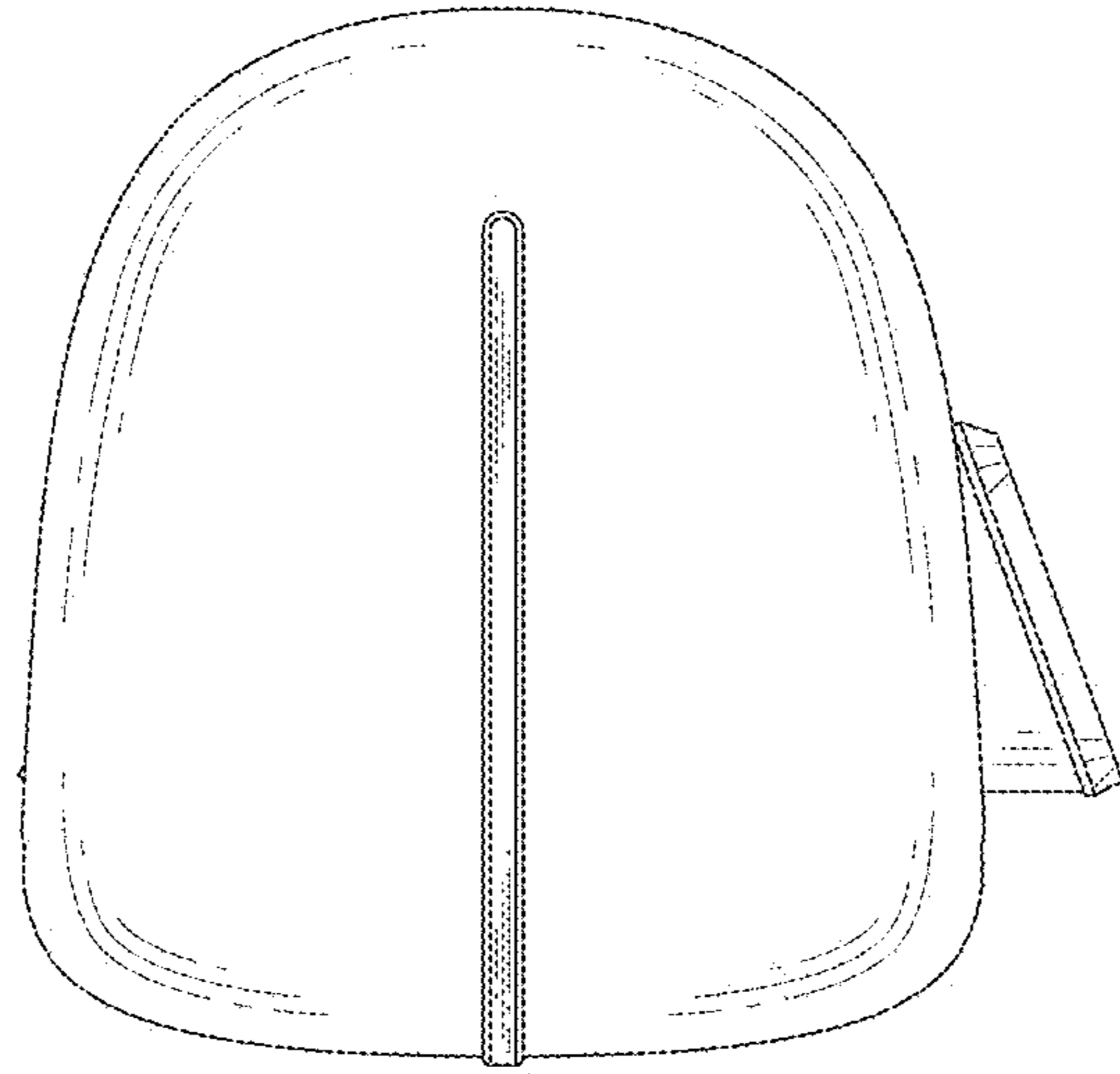


FIG.5

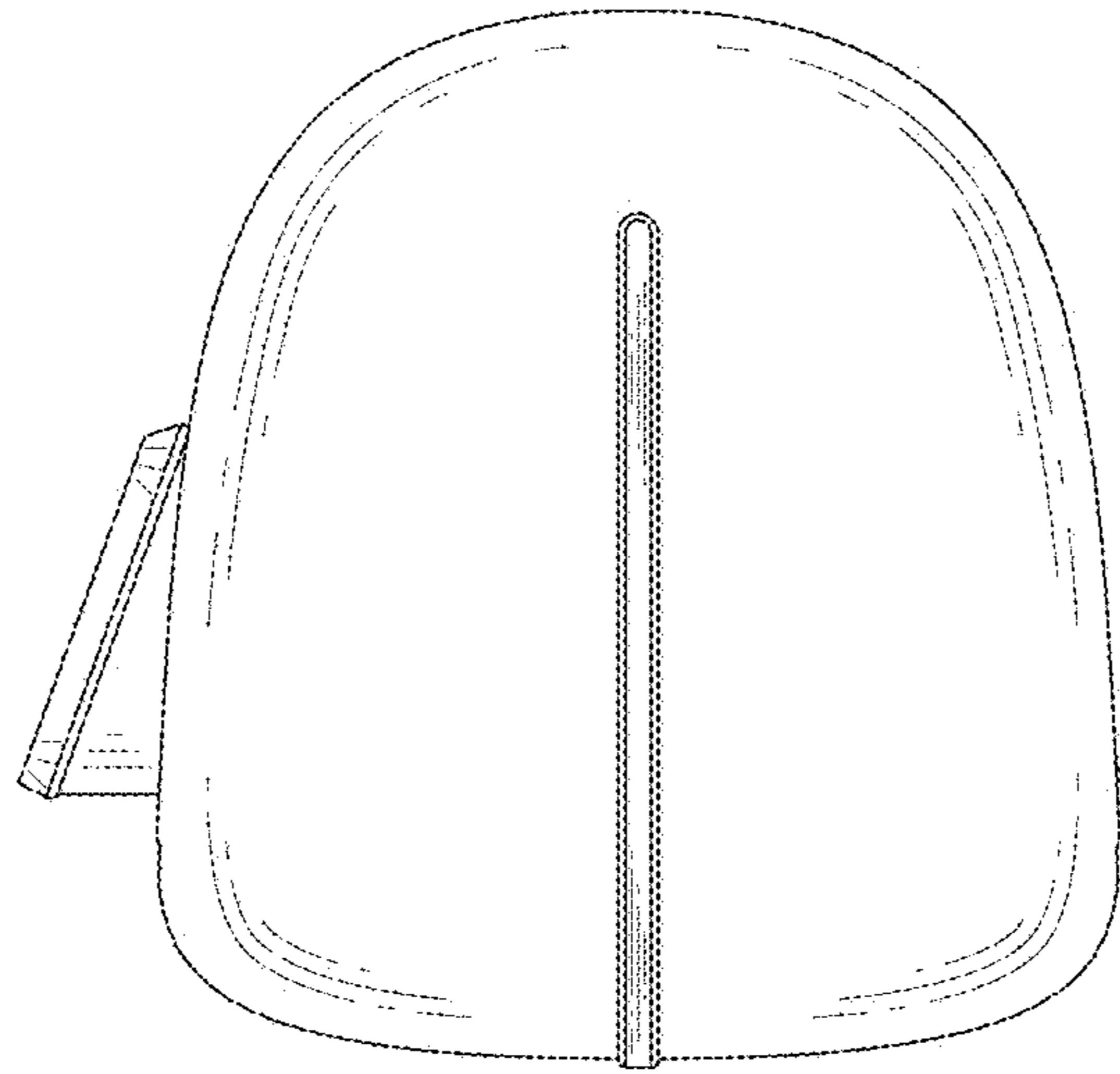


FIG.6

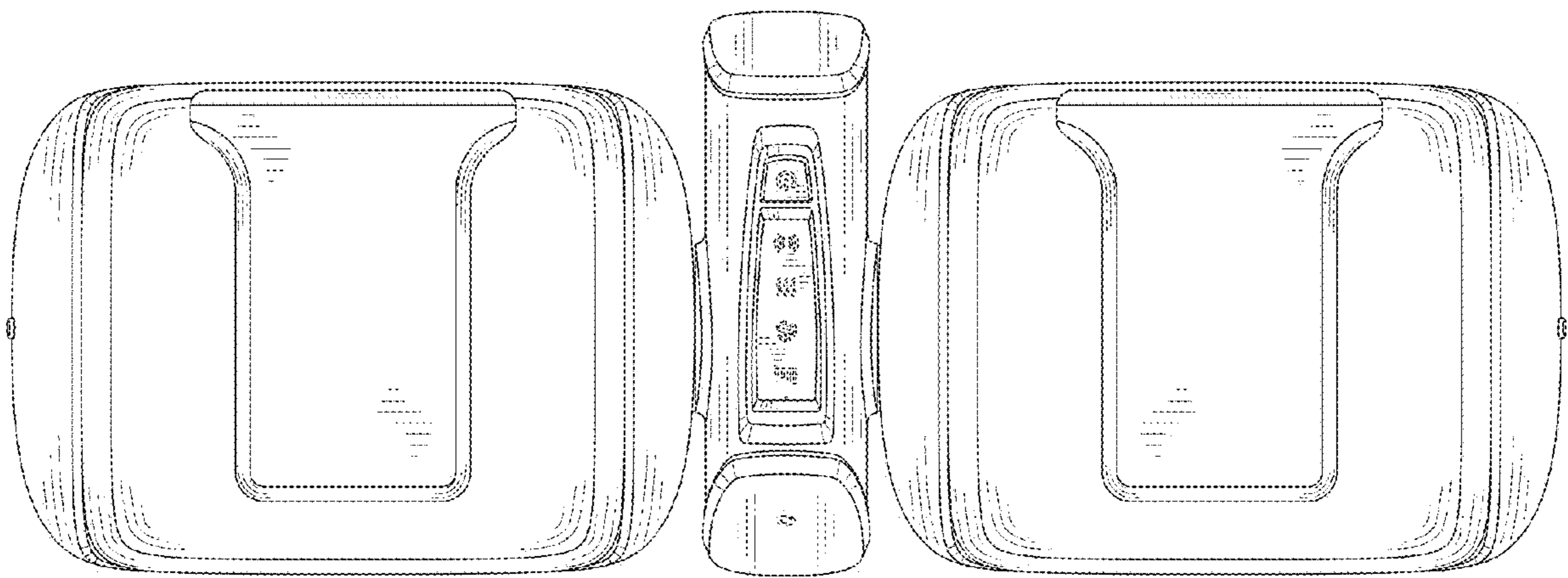


FIG. 7

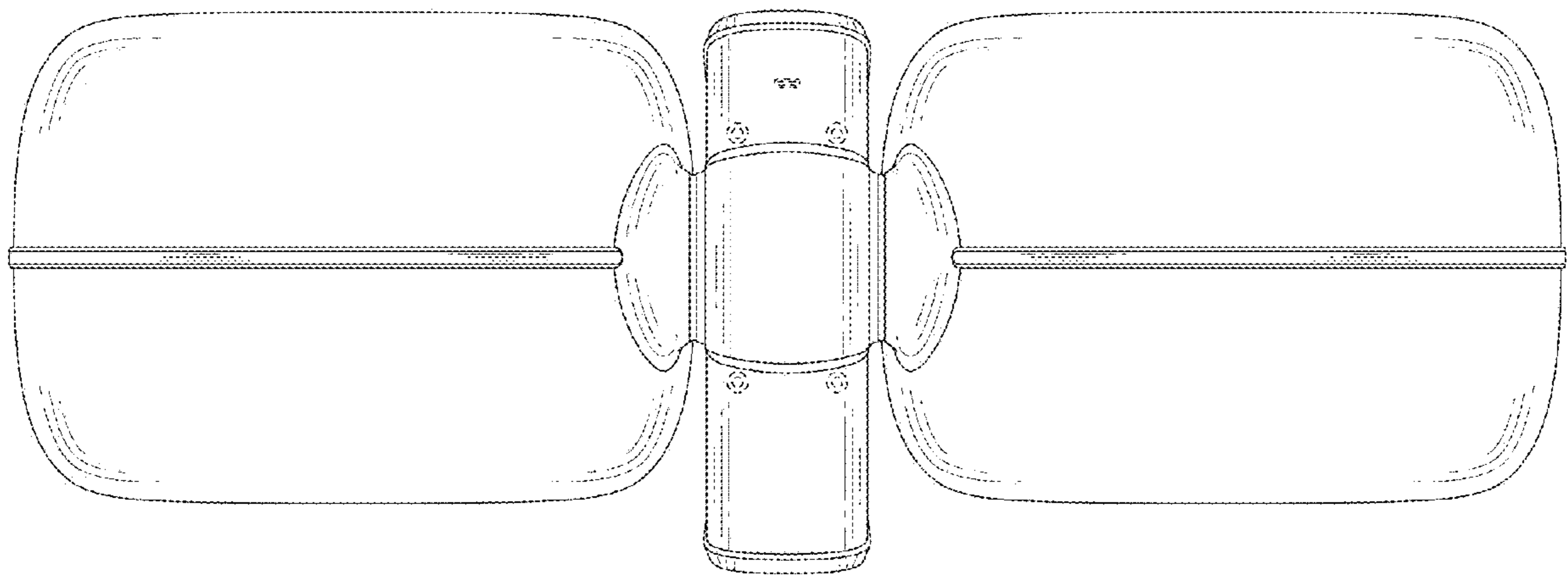


FIG.8