



US00D959008S

(12) **United States Design Patent** (10) **Patent No.:** **US D959,008 S**  
**Qin** (45) **Date of Patent:** **\*\* Jul. 26, 2022**

(54) **MASSAGER**

(71) Applicant: **Qinji Electronic Technology (Suzhou) Co., Ltd., Suzhou (CN)**

(72) Inventor: **LiBo Qin, Suzhou (CN)**

(73) Assignees: **QINJI ELECTRONIC TECHNOLOGY (SUZHOU) CO., LTD., Suzhou (CN); NANJING YUNKAI MACHINERY CO., LTD., Jiangsu (CN)**

(\*\*) Term: **15 Years**

(21) Appl. No.: **29/738,122**

(22) Filed: **Jun. 15, 2020**

(51) **LOC (13) Cl.** ..... **28-03**

(52) **U.S. Cl.**  
USPC ..... **D24/215**

(58) **Field of Classification Search**  
USPC ..... D24/200, 211, 212, 213, 214, 215;  
D8/14.1; D28/13  
CPC . A61H 2201/1635; A61H 23/006; A61H 1/00  
See application file for complete search history.

(56) **References Cited**

**U.S. PATENT DOCUMENTS**

10,428,850	B2 *	10/2019	Wersland	.....	B23B 31/11
10,470,970	B2 *	11/2019	Nazarian	.....	F16D 1/087
D872,869	S *	1/2020	Lu	.....	D24/215
D877,351	S *	3/2020	Wersland	.....	D24/215
D879,985	S *	3/2020	Wersland	.....	D24/214
D879,986	S *	3/2020	Wersland	.....	D24/214
D880,714	S *	4/2020	Wersland	.....	D24/215
D880,715	S *	4/2020	Wersland	.....	D24/215
D880,716	S *	4/2020	Wersland	.....	D24/215
D884,915	S *	5/2020	Wersland	.....	D24/215
D885,601	S *	5/2020	Wersland	.....	D24/215

D887,573	S *	6/2020	Wersland	.....	D24/215
10,714,953	B1 *	7/2020	Solana	.....	H02J 7/0044
10,857,064	B2 *	12/2020	Wersland	.....	A61H 23/006
10,912,707	B2 *	2/2021	Wersland	.....	A61H 23/00
D912,268	S *	3/2021	Xiang	.....	D24/215
D912,835	S *	3/2021	Ren	.....	D24/200
10,940,081	B2 *	3/2021	Nazarian	.....	H02K 11/0094
10,959,911	B2 *	3/2021	Wersland	.....	A61H 1/00
D921,914	S *	6/2021	Wersland	.....	D24/214
D930,179	S *	9/2021	Zhu	.....	D24/215
2016/0367425	A1 *	12/2016	Wersland	.....	A61H 1/008
2017/0304145	A1 *	10/2017	Pepe	.....	A61H 23/006
2018/0200141	A1 *	7/2018	Wersland	.....	A61H 15/0085
2020/0069510	A1 *	3/2020	Wersland	.....	A61H 23/006
2020/0214930	A1 *	7/2020	Wersland	.....	A61H 23/006
2020/0261306	A1 *	8/2020	Pepe	.....	A61H 23/0254

(Continued)

*Primary Examiner* — Michael A Maharajh

(74) *Attorney, Agent, or Firm* — Ostrolenk Faber LLP

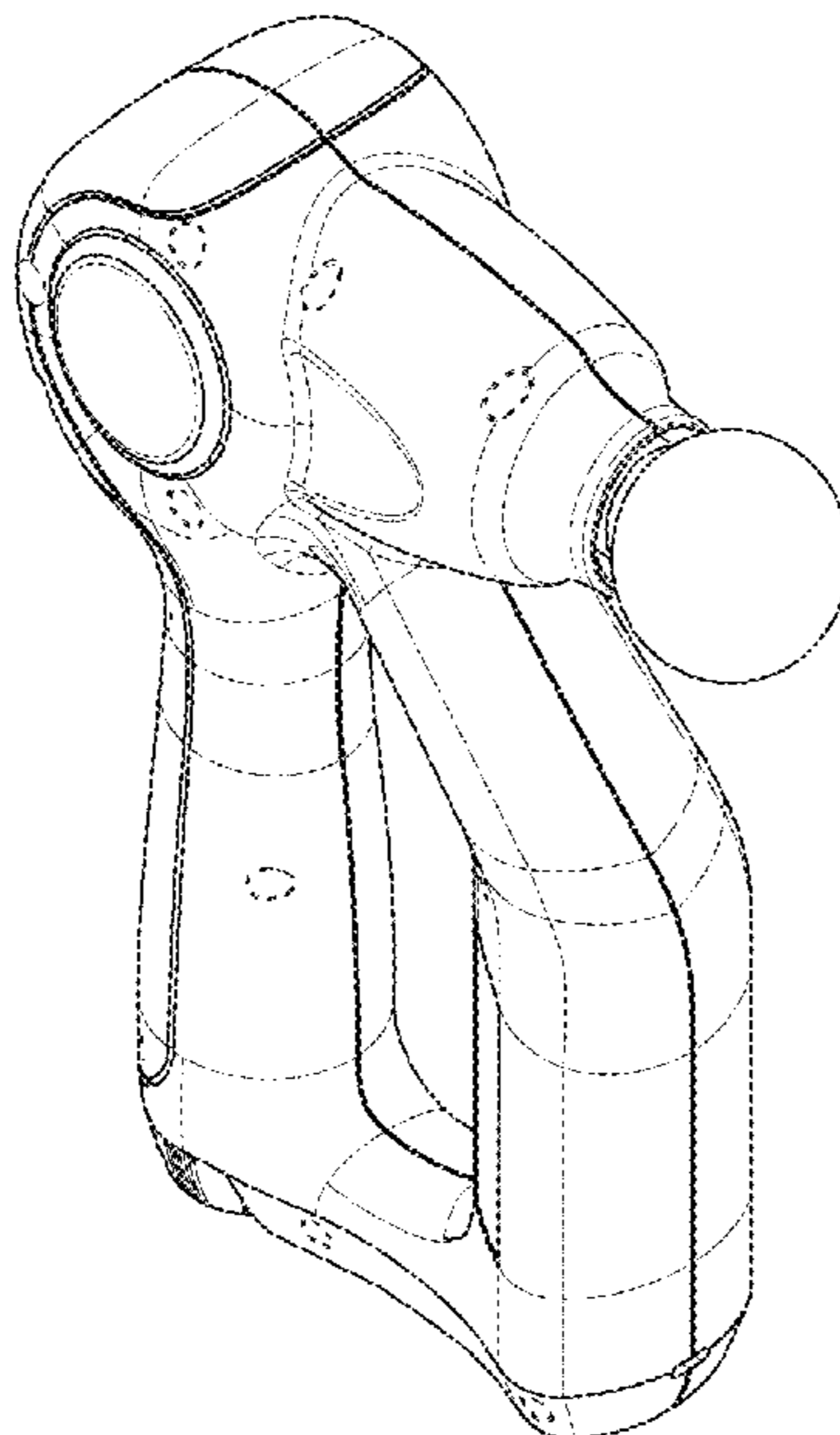
(57) **CLAIM**

The ornamental design for a massager, as shown and described.

**DESCRIPTION**

FIG. 1 is a first perspective view of a massager showing my new design;  
FIG. 2 is a second perspective view of a massager thereof;  
FIG. 3 is a third perspective view of a massager thereof;  
FIG. 4 is a fourth perspective view of a massager thereof;  
FIG. 5 is a right side elevational view thereof;  
FIG. 6 is a left side elevational view thereof;  
FIG. 7 is a top plan view thereof;  
FIG. 8 is a bottom plan view thereof;  
FIG. 9 is a front elevational view thereof; and,  
FIG. 10 is a rear elevational view thereof.  
The broken lines shown in the figures are for the purpose of illustrating portions of the massager, which form no part of the claimed design.

**1 Claim, 5 Drawing Sheets**



(56)

**References Cited**

U.S. PATENT DOCUMENTS

2020/0261307 A1\* 8/2020 Wersland ..... A61H 23/006  
2020/0268594 A1\* 8/2020 Pepe ..... A61H 15/02  
2020/0352820 A1\* 11/2020 Nazarian ..... H02K 11/26  
2020/0405574 A1\* 12/2020 Wersland ..... A61H 1/008  
2021/0022955 A1\* 1/2021 Wersland ..... A61H 1/006  
2021/0059898 A1\* 3/2021 Wersland ..... A61H 15/00

\* cited by examiner

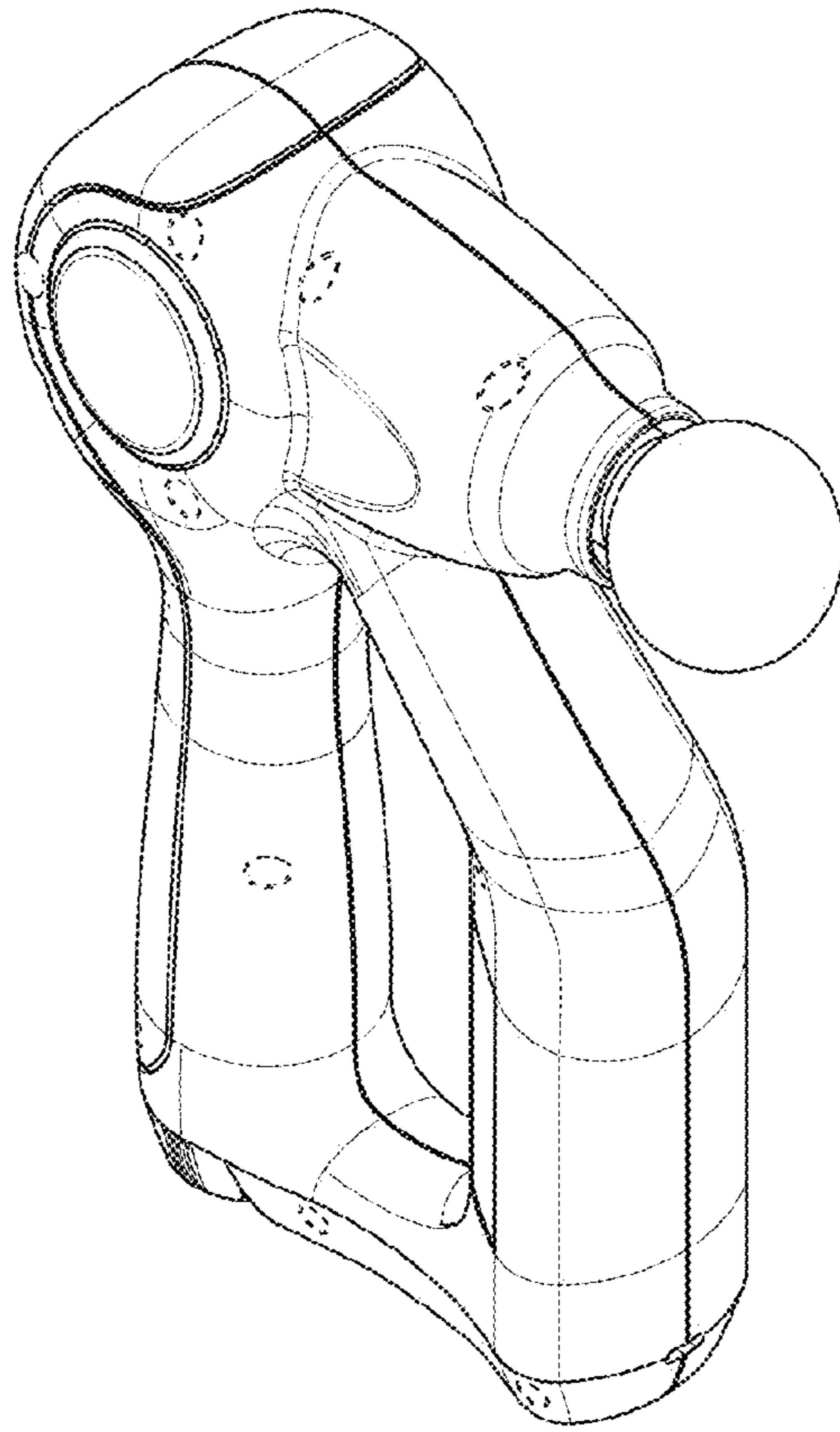


FIG. 1

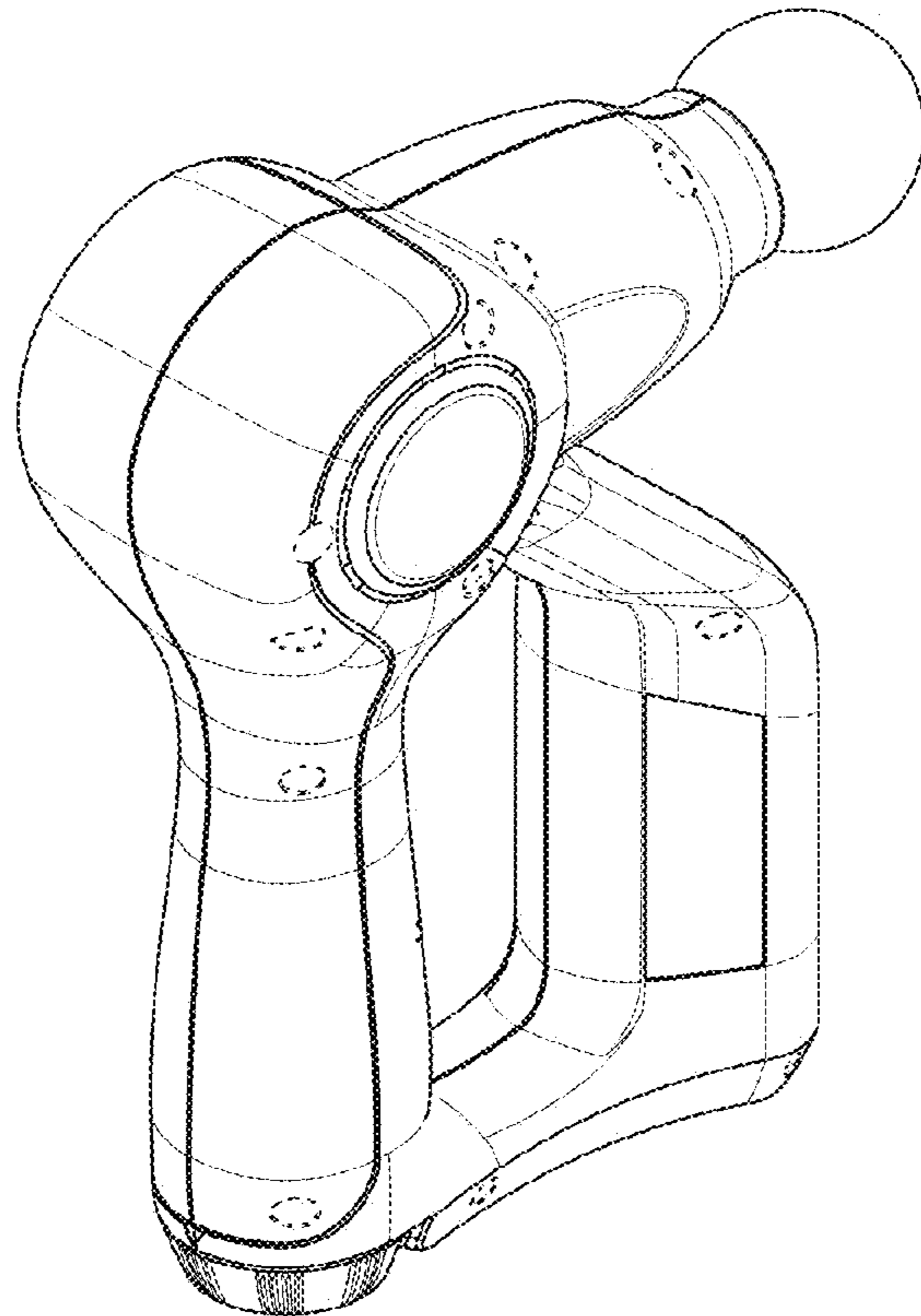


FIG. 2

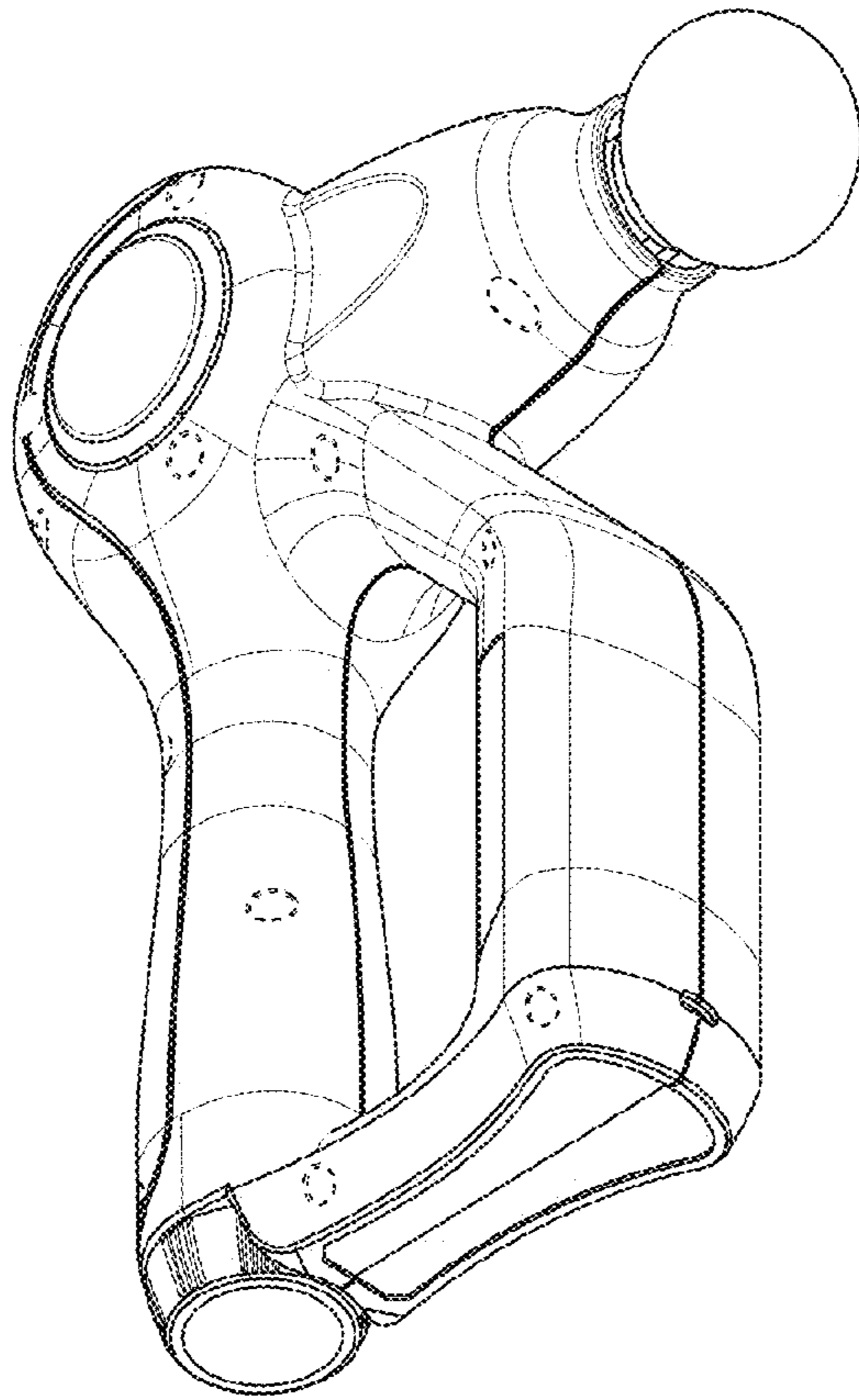


FIG. 3

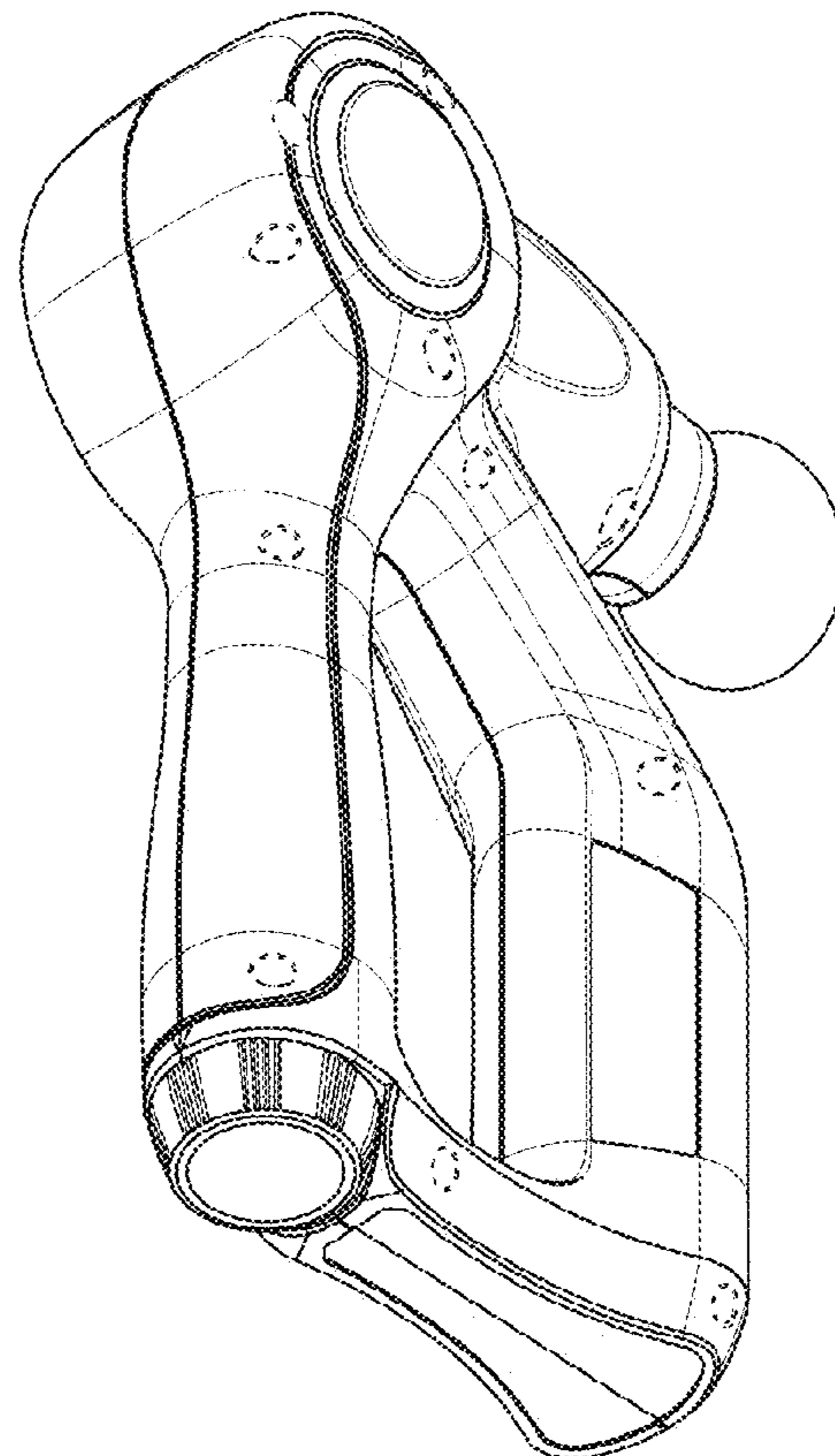


FIG. 4

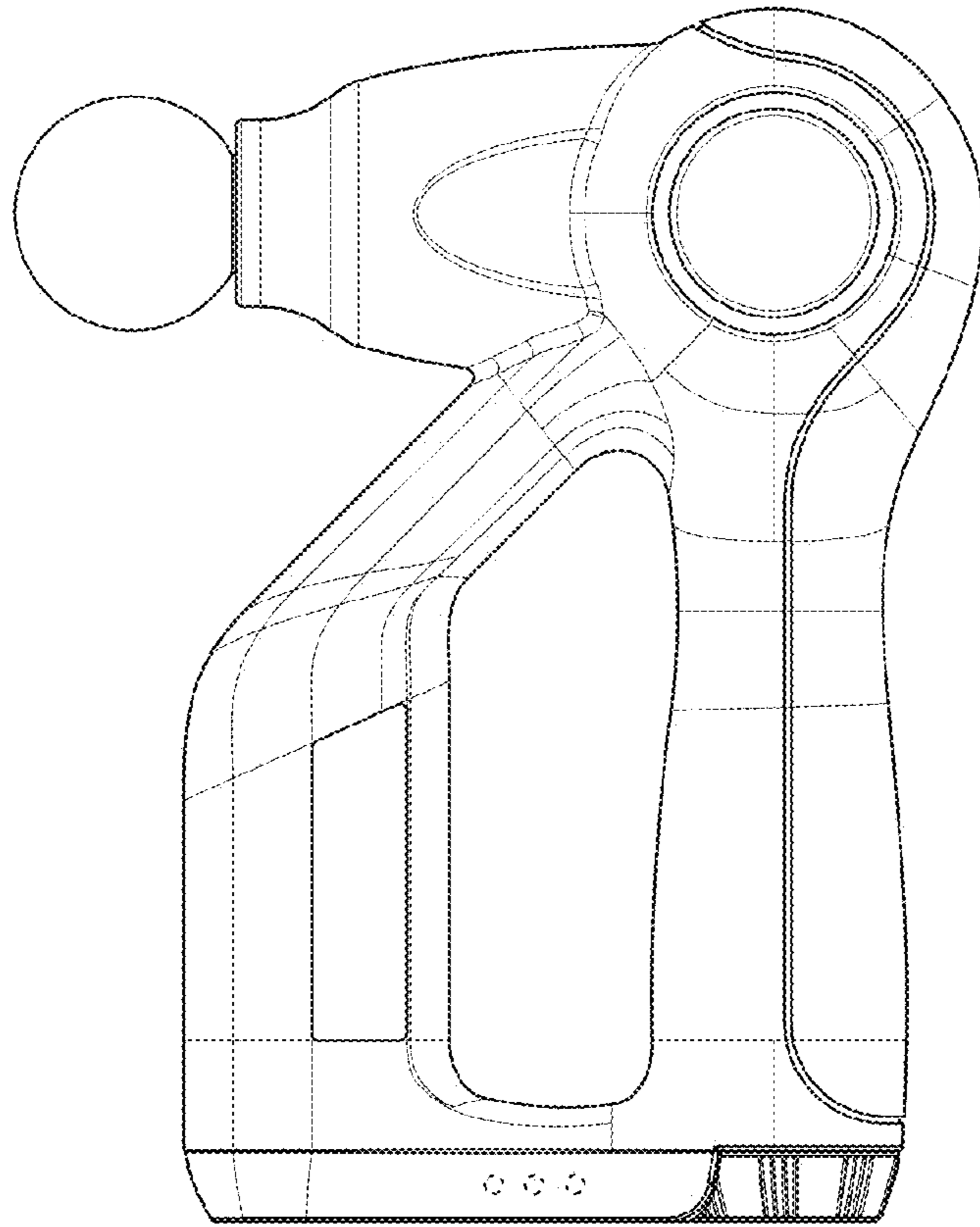


FIG. 5

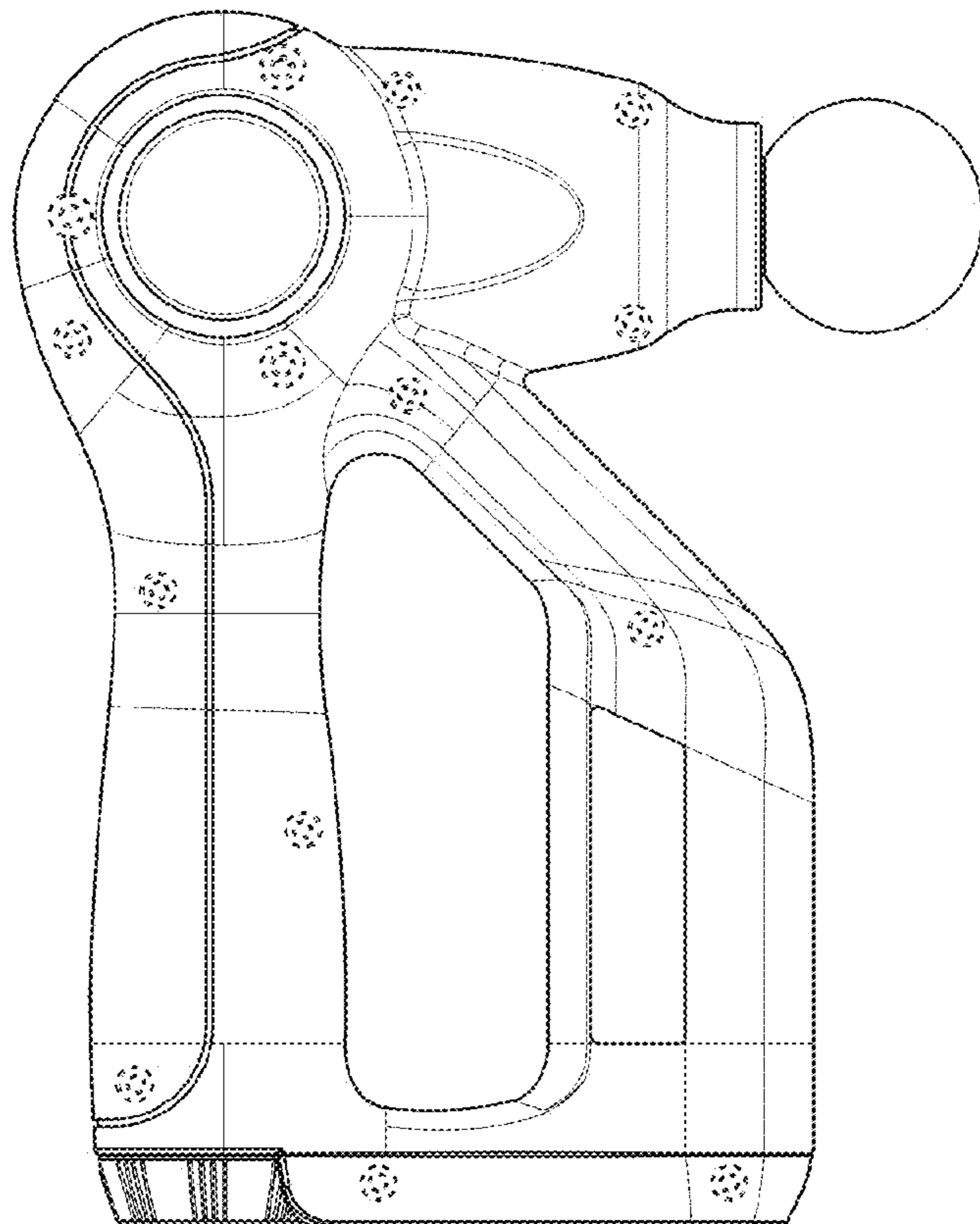


FIG. 6

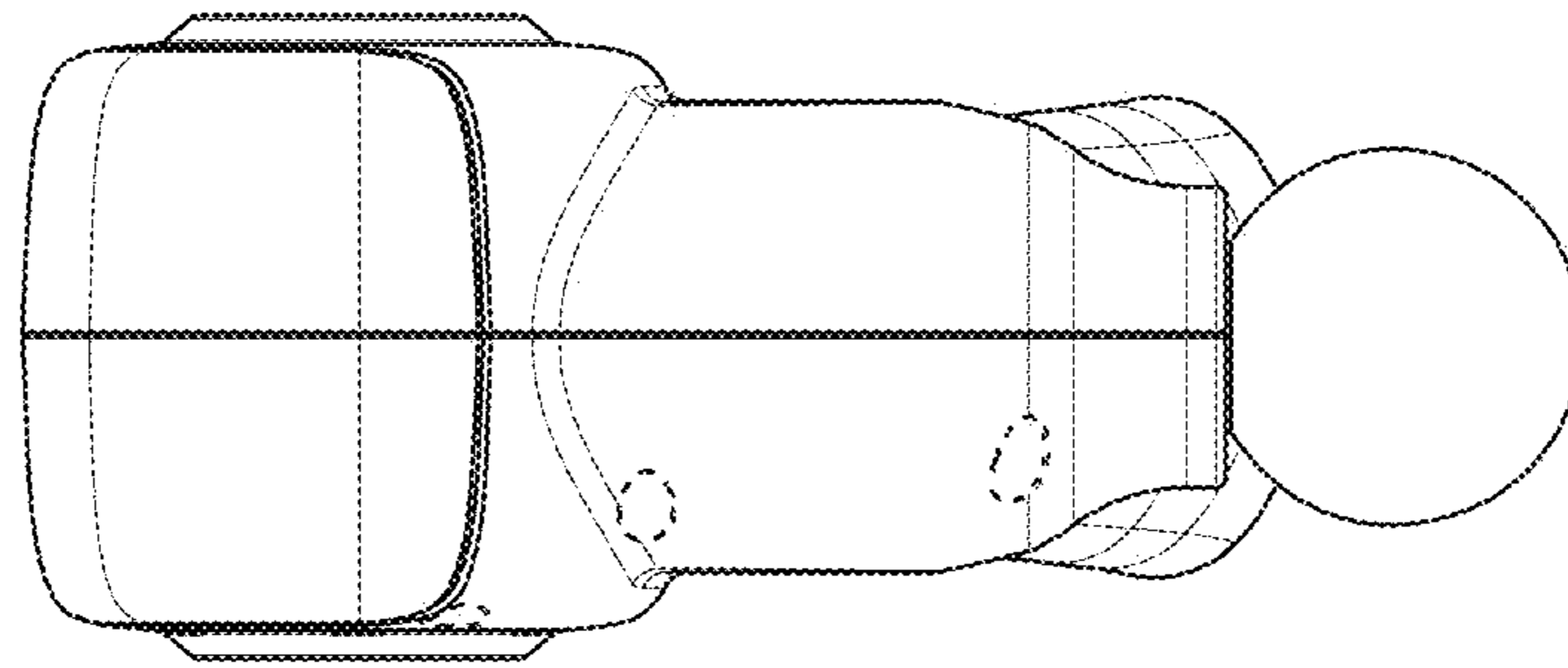


FIG. 7

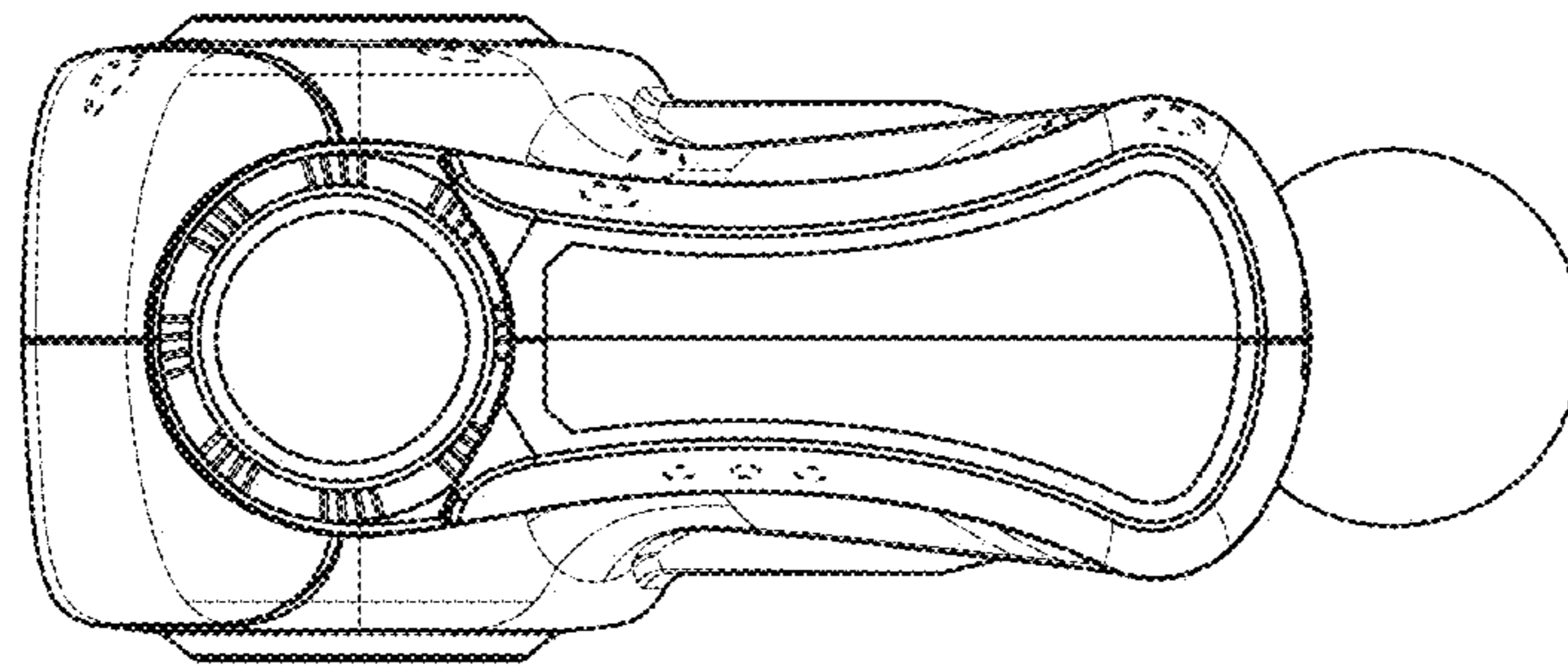


FIG. 8

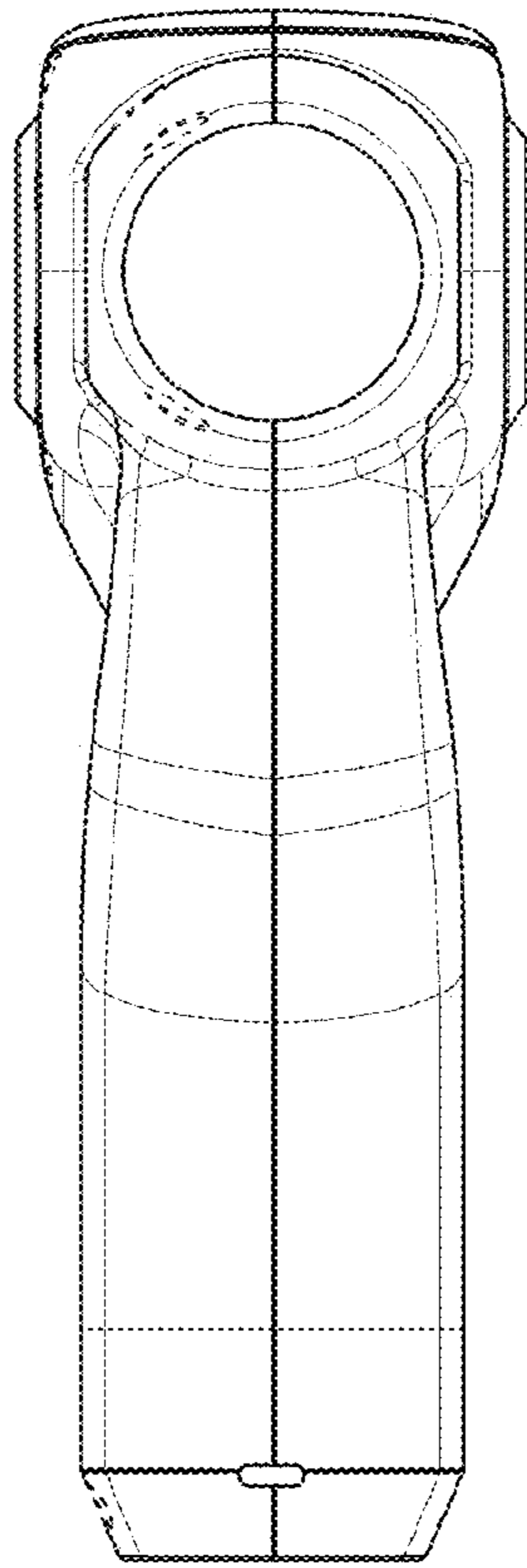


FIG. 9

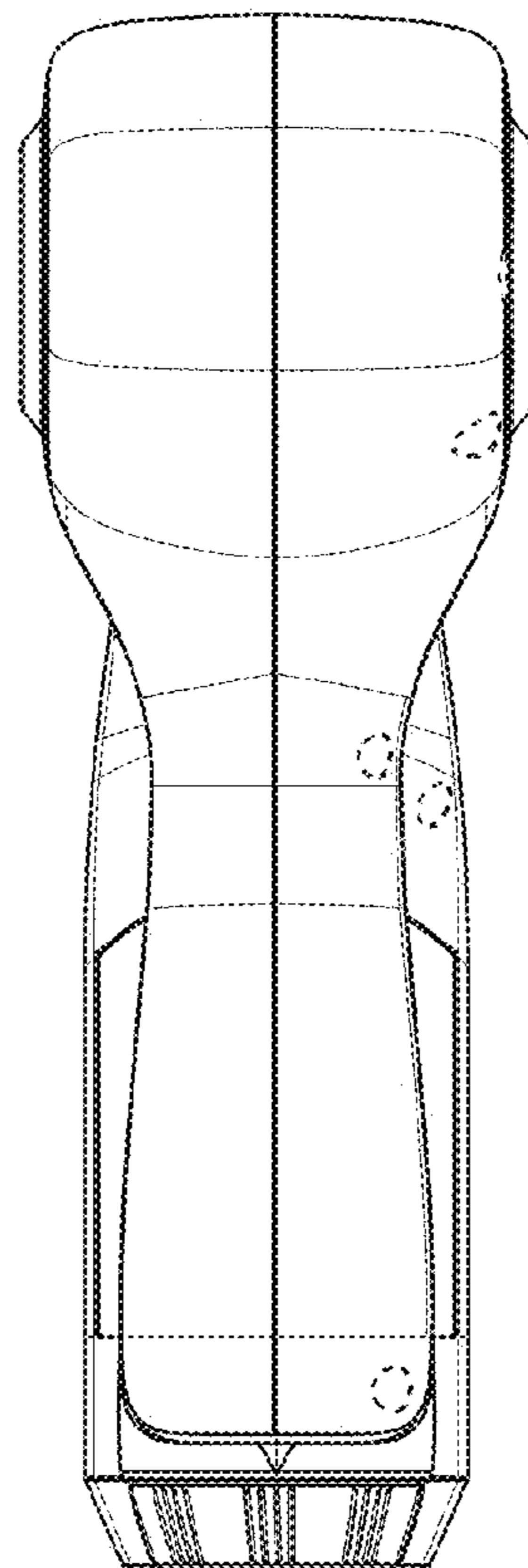


FIG. 10