



US00D959006S

(12) **United States Design Patent** (10) **Patent No.:** **US D959,006 S**
Davis (45) **Date of Patent:** **** Jul. 26, 2022**

- (54) **ROLLER APPLICATION DEVICE**
- (71) Applicant: **Corey Michael John Davis**, Athens, GA (US)
- (72) Inventor: **Corey Michael John Davis**, Athens, GA (US)
- (**) Term: **15 Years**
- (21) Appl. No.: **29/714,052**
- (22) Filed: **Nov. 20, 2019**

4,712,539 A	12/1987	Kim	
4,807,603 A	2/1989	Yasui	
4,945,900 A	8/1990	Masuda	
D369,361 S *	4/1996	Satake	D15/131
5,577,996 A	11/1996	Gardner et al.	
D451,564 S *	12/2001	Dean	D21/662
6,398,694 B1	6/2002	Bountourakis	
6,602,169 B1	8/2003	Patti	
6,770,016 B1	8/2004	Anderson et al.	
D567,952 S *	4/2008	Fink	D24/200

(Continued)

Related U.S. Application Data

- (63) Continuation of application No. 15/332,445, filed on Oct. 24, 2016, now abandoned.
- (51) **LOC (13) Cl.** **28-03**
- (52) **U.S. Cl.**
USPC **D24/211**
- (58) **Field of Classification Search**
USPC D24/215, 200, 211, 212, 213, 214, 133, D24/188, 107, 231; D7/697; D8/303; D21/662, 691, 679
CPC A61H 7/00; A61H 7/005; A61H 7/003; A61H 15/00; A61H 2015/007; A61H 2015/0014; A61H 2015/0021; A61H 15/0092; A61H 2201/0157; A61H 2201/0153; A21C 3/021
See application file for complete search history.

References Cited

U.S. PATENT DOCUMENTS

1,581,248 A *	4/1926	Thompson	A61H 15/0092	601/120
2,209,465 A	7/1940	Matysek			
2,221,785 A	11/1940	Douglas			
4,002,163 A	1/1977	Jackson, Jr.			
4,433,683 A	2/1984	McCoy et al.			
4,648,387 A	3/1987	Simmons			

OTHER PUBLICATIONS

The Forge Body Tempering. Date: Jun. 2, 2018. [online]. [Site visited Oct. 28, 2021]. Available from Internet URL: <https://www.facebook.com/ForgeHDF/> (Year: 2018).*

(Continued)

Primary Examiner — Susan Bennett Hattan
Assistant Examiner — Landon Thomas Cassell
(74) *Attorney, Agent, or Firm* — Mitch Harris, Atty at Law, LLC; Andrew M. Harris

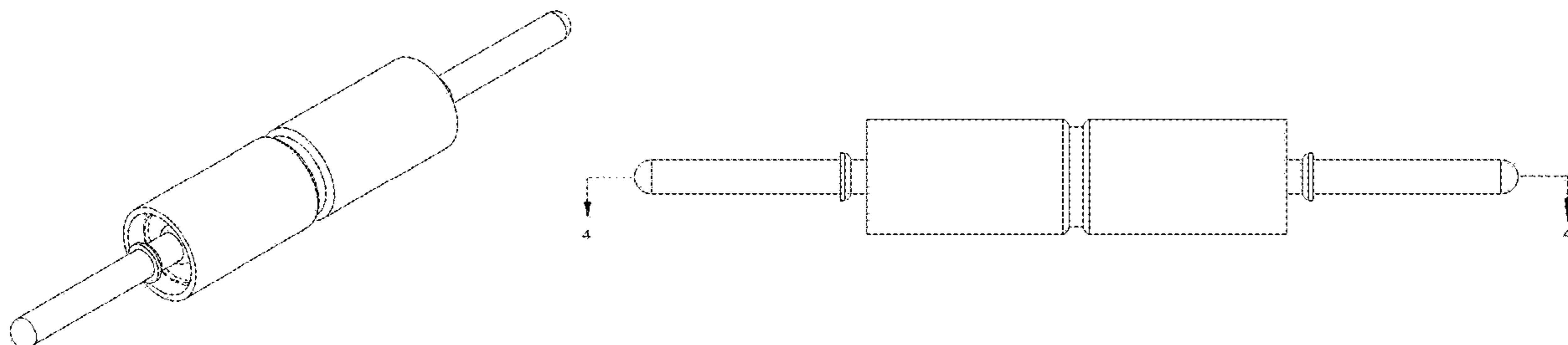
(57) **CLAIM**

The ornamental design for a roller application device, as shown and described.

DESCRIPTION

FIG. 1 is a perspective view of the roller application device. FIG. 2 is a side view of the roller application device, illustrating identical left and right side views. FIG. 3 is a front view of the roller application device, illustrating identical top, bottom, front and rear views. FIG. 4 is a bottom cross-section view of the roller application device taken from 4-4 of FIG. 3; and, FIG. 5 is a front view of the roller application device, illustrating mounting locations for the unclaimed weights. The broken lines in the drawing depict portions of the article that form no part of the claimed design.

1 Claim, 3 Drawing Sheets



(56)

References Cited

OTHER PUBLICATIONS

U.S. PATENT DOCUMENTS

D567,954 S * 4/2008 Fink D24/200
 D567,955 S * 4/2008 Fink D24/200
 7,686,752 B2 3/2010 Dua et al.
 D613,804 S * 4/2010 Perez D21/691
 D644,073 S * 8/2011 Nottke D7/697
 D688,756 S * 8/2013 Wauldron D21/662
 8,506,461 B2 8/2013 Huang et al.
 D699,794 S * 2/2014 Wauldron D21/662
 D700,709 S * 3/2014 Khodabakhshian D24/211
 D723,710 S * 3/2015 Ishibashi D24/215
 9,107,795 B2 8/2015 Faussett
 9,174,082 B1 * 11/2015 Marlow A63B 23/0205
 9,463,136 B2 10/2016 Cohen
 9,572,745 B2 2/2017 Lin
 D809,612 S * 2/2018 Ganea D21/662
 D818,589 S * 5/2018 Black D24/147
 D833,026 S * 11/2018 Khodabakhshian D24/211
 2001/0039390 A1 11/2001 Barrett
 2008/0167168 A1 7/2008 Hurst
 2008/0200851 A1 8/2008 Faussett
 2013/0030332 A1 1/2013 Ingrassia
 2014/0012168 A1 1/2014 Carlson
 2014/0171279 A1 6/2014 Justice Velasco
 2015/0202117 A1 7/2015 Ishibashi
 2015/0245977 A1 9/2015 Sungarian et al.
 2015/0343256 A1 12/2015 Coompol
 2016/0366895 A1 * 12/2016 Copen A21C 3/025
 2017/0042756 A1 2/2017 Nelson
 2018/0263842 A1 * 9/2018 Chen A61H 15/0092
 2018/0263843 A1 * 9/2018 Chen A61H 15/02

The Forge—HDF. Date: Jul. 8, 2019. [online]. [Site visited Oct. 28, 2021]. Available from Internet URL: <https://www.youtube.com/watch?v=HvOTD1v6hAc> (Year: 2019).*

Tiger Tail—Massage Stick. Date: Nov. 22, 2004. [online]. [Site visited Oct. 8, 2021]. Available from Internet URL: <https://www.amazon.com/dp/B00ZPMAIO6/> (Year: 2004).*

IntelliRoll—Foam Roller. Date: Nov. 20, 2017. [online]. [Site visited Oct. 6, 2021]. Available from Internet URL: <https://www.amazon.com/dp/B01MTMZFX3/> (Year: 2017).*

Rollers. (Design—© Questel) orbit.com. [Online PDF compilation of references] 14 pgs. Print Dates Range Enter Date—Enter Date [Retrieved Enter Date] <https://www.orbit.com/export/UCZAH96B/pdf4/f243b706-6280-4d0d-a6ba-b4339f5a2db9-230817.pdf> (Year: 2021).*

“Geisha Body Tempering Roller (Thompson X-Wife)”, Kabuki Strength, downloaded from: <http://store.kabukistrength.net/products/geisha-body-tempering-roller-thompson-x-wife?variant=14480633667> on Oct. 24, 2016, 6 pages (pp. 1-6 in pdf).

“Body Tempering”, Thompson Barbell, downloaded from: <http://thompsonbarbell.com/index.php/features/body-tempering> on Oct. 24, 2016, 43 pages (pp. 1-43 in pdf).

“Ironmind, Apollon’s Axle—thick bar world champion, 2009” (Year: 2009).
 Date Tracker of Ironmind-Store Apollon’s axle, Wayback Machine (Year: 2009).

* cited by examiner

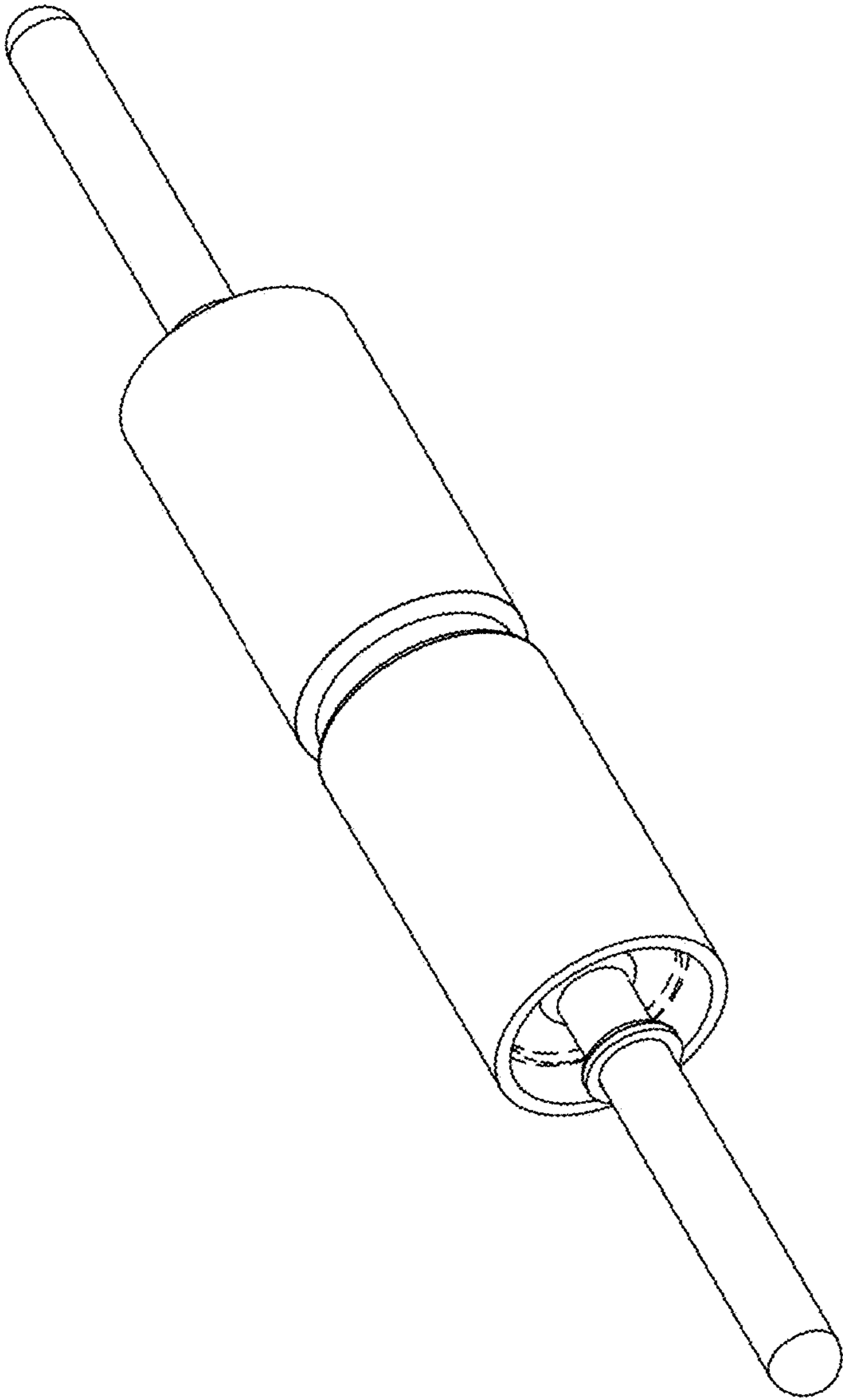


FIG. 1

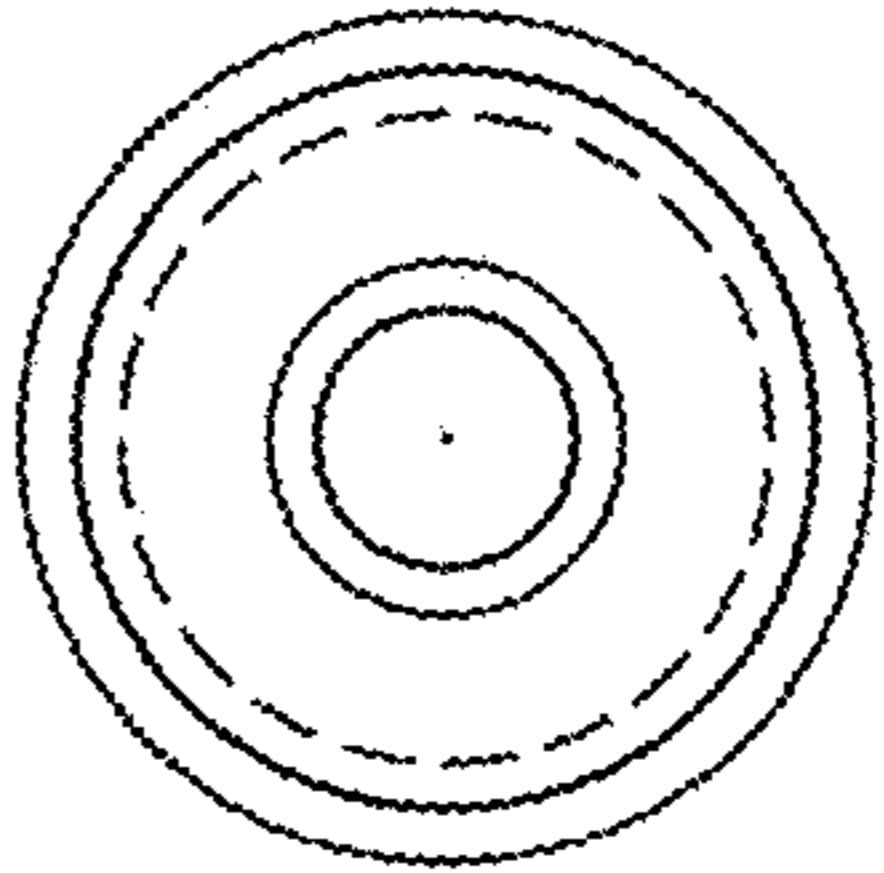


FIG. 2

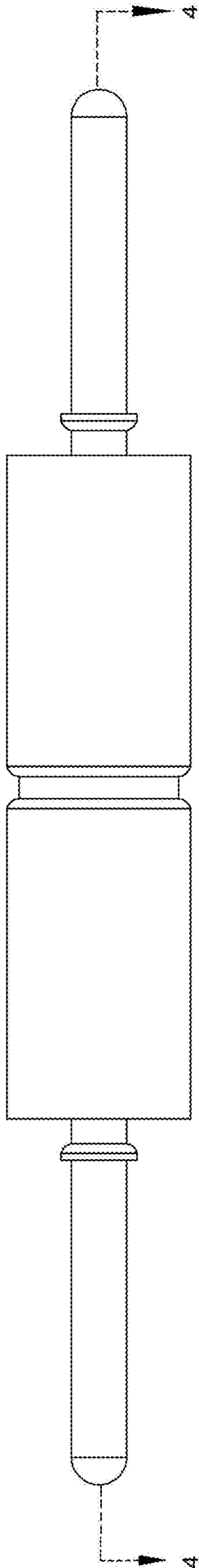


FIG. 3

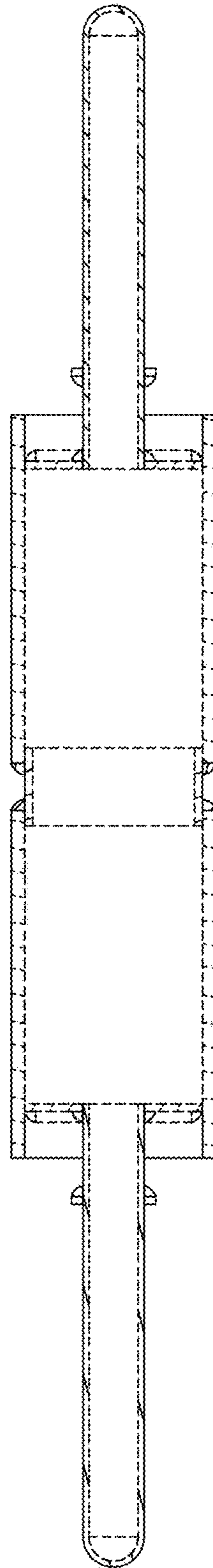


FIG. 4

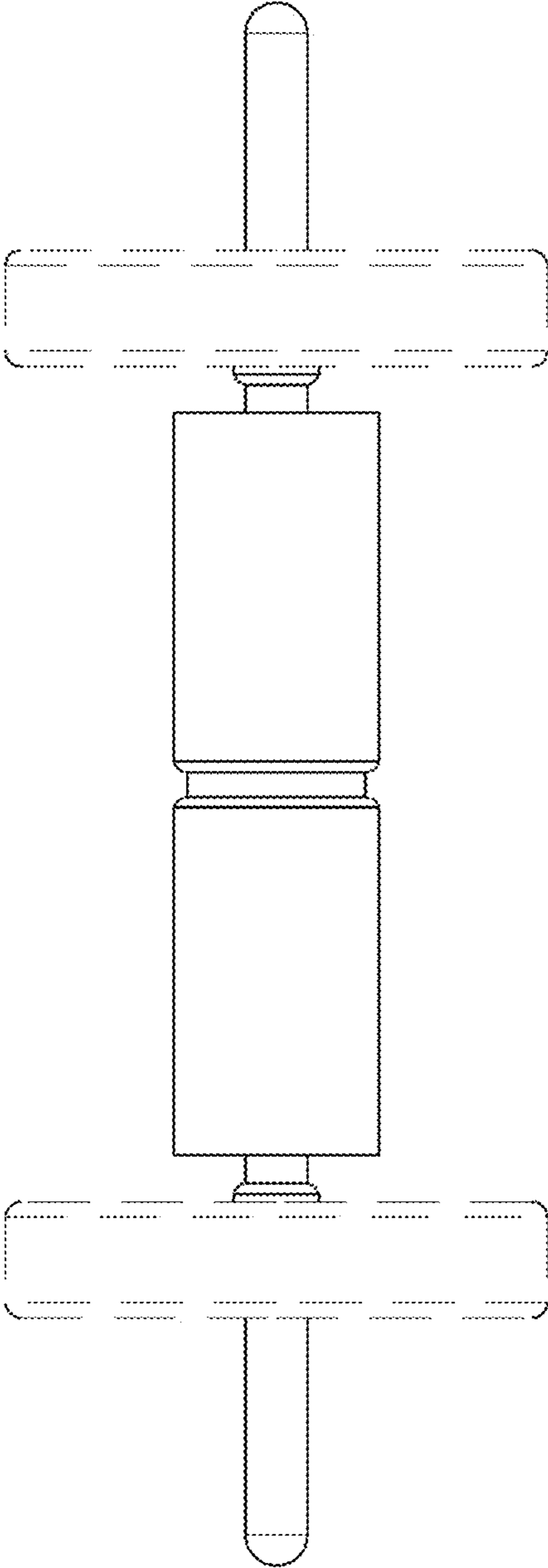


FIG. 5