



US00D959004S

(12) **United States Design Patent** (10) **Patent No.:** **US D959,004 S**  
**Bockenstedt et al.** (45) **Date of Patent:** **\*\* Jul. 26, 2022**

(54) **LIGHT THERAPY DEVICE**

(56) **References Cited**

(71) Applicant: **Bausch Health Ireland Limited**,  
Dublin (IE)  
(72) Inventors: **Craig Bockenstedt**, Bothell, WA (US);  
**Richard Malwitz**, Bothell, WA (US);  
**Adam Weisgerber**, Shoreline, WA  
(US); **Jeffrey Ladwig**, Seattle, WA  
(US); **Aaron Piazza**, Lake Forest Park,  
WA (US); **Michael Carl Beckman**,  
Seattle, WA (US)

U.S. PATENT DOCUMENTS

D545,973 S 7/2007 Powell et al.  
D599,485 S 9/2009 Burrows et al.  
9,138,595 B2\* 9/2015 Savage ..... A61N 5/0618  
RE45,816 E 12/2015 Andre et al.  
D757,955 S 5/2016 Johnson et al.  
D809,141 S 1/2018 Adams et al.

(Continued)

OTHER PUBLICATIONS

Bockenstedt et al., Design U.S. Appl. No. 29/720,106, "Light  
Therapy Device," filed Jan. 9, 2020.

(Continued)

*Primary Examiner* — Anhdao Doan

(74) *Attorney, Agent, or Firm* — Finnegan, Henderson,  
Farabow, Garrett & Dunner, LLP

(73) Assignee: **SOLTA MEDICAL IRELAND  
LIMITED**, Dublin (IE)

(\*\*) Term: **15 Years**

(21) Appl. No.: **29/788,730**

(22) Filed: **Jul. 22, 2021**

(57) **CLAIM**

The ornamental design for a light therapy device, as shown  
and described.

**Related U.S. Application Data**

(63) Continuation of application No. 29/720,109, filed on  
Jan. 9, 2020, now Pat. No. Des. 928,975.

(51) **LOC (13) Cl.** ..... **28-03**

(52) **U.S. Cl.**  
USPC ..... **D24/209**

(58) **Field of Classification Search**  
USPC ..... D24/200, 214, 209, 210, 185, 186;  
D26/106, 120; D14/307, 336, 371, 375,  
D14/376

CPC .... A61N 5/062; A61N 5/0616; A61N 5/0618;  
A61N 2005/0642; A61N 2005/0644;  
A61N 2005/0645; A61N 2005/0647;  
A61N 2005/0654; A61N 2005/0659;  
A61N 2005/066; A61N 2005/0661; A61N  
2005/0662

See application file for complete search history.

**DESCRIPTION**

FIG. 1 is a front perspective view of a light therapy device  
showing the new design;

FIG. 2 is a bottom perspective view thereof;

FIG. 3 is a front elevation view thereof;

FIG. 4 is a rear elevation view thereof;

FIG. 5 is a left side view thereof;

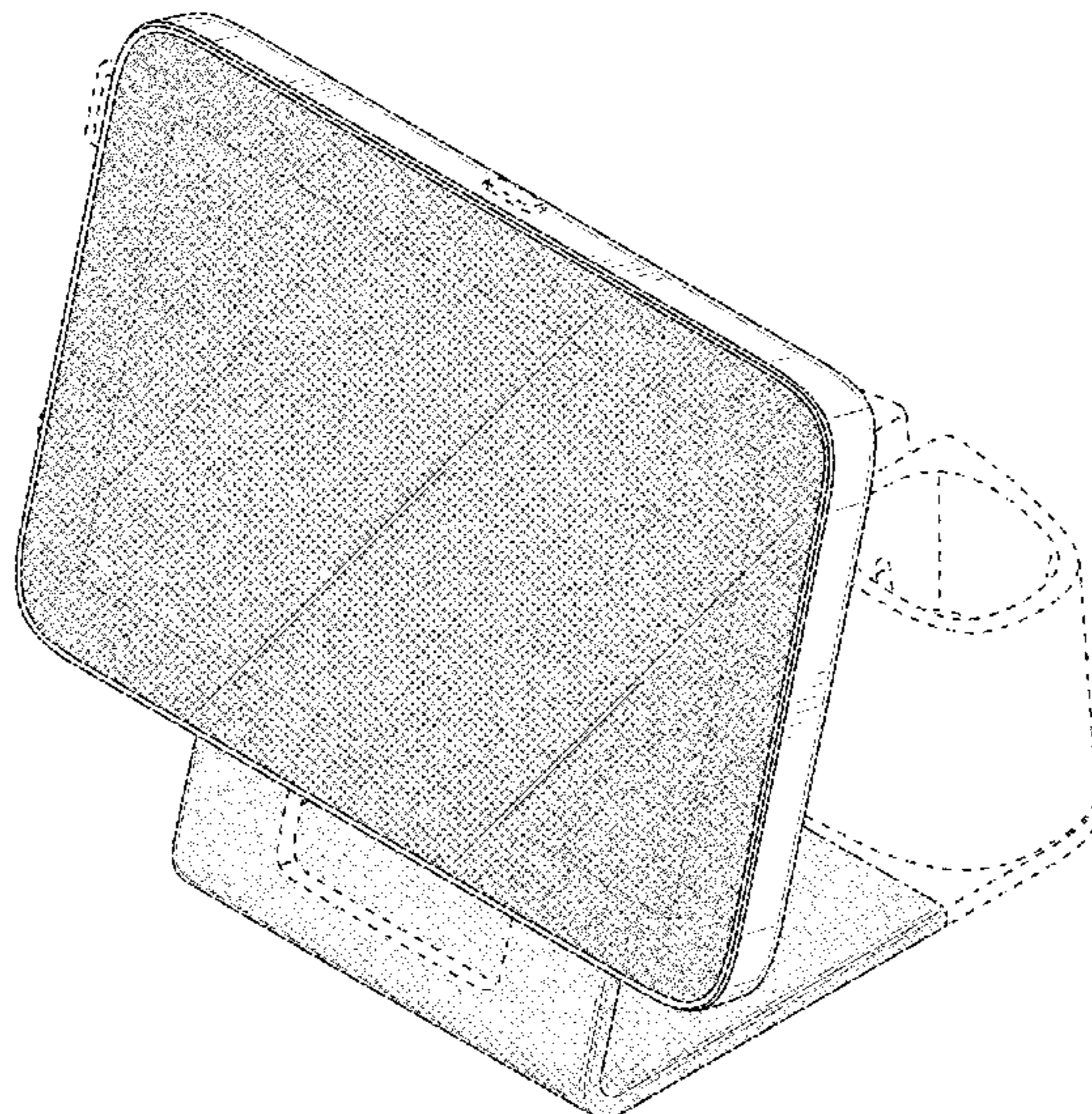
FIG. 6 is a right side view thereof;

FIG. 7 is a top plan view thereof; and,

FIG. 8 is a bottom plan view thereof.

The even-length broken lines shown in the drawings illus-  
trate portions of the light therapy device that form no part of  
the claimed design. The broken lines of uneven length  
illustrate the boundary of the claimed design and form no  
part thereof. Contrast in materials is shown by line shading,  
stipple shading, and reflective shading in other areas.

**1 Claim, 8 Drawing Sheets**



(56)

**References Cited**

U.S. PATENT DOCUMENTS

D816,222 S 4/2018 Barak et al.  
D835,291 S 12/2018 Lei  
D857,220 S 8/2019 Chew  
D861,167 S 9/2019 Emery et al.  
D915,611 S \* 4/2021 Probst ..... D24/200  
D921,212 S \* 6/2021 Bockenstedt ..... D24/209  
D922,595 S \* 6/2021 Bockenstedt ..... D24/209  
D928,376 S \* 8/2021 Zhang ..... D24/210  
D928,975 S \* 8/2021 Bockenstedt ..... D24/209  
2004/0249423 A1 12/2004 Savage

OTHER PUBLICATIONS

Bockenstedt et al., Design U.S. Appl. No. 29/720,107, "Light Therapy Device," filed Jan. 9, 2020.

Office Action—Japanese Design Application No. 2020-14062, Dec. 9, 2020, (4 pages).

Office Action—Japanese Design Application No. 2020-014064, Dec. 9, 2020, (5 pages).

Office Action of the Intellectual Property Office for ROG (Taiwan) Patent Application No. 109303744, Dec. 10, 2020, (4 pages).

Office Action of the Intellectual Property Office for ROG (Taiwan) Patent Application No. 109303745, Dec. 10, 2020, (4 pages).

Office Action of the Intellectual Property Office for ROG (Taiwan) Patent Application No. 109303746, Dec. 10, 2020, (4 pages).

\* cited by examiner

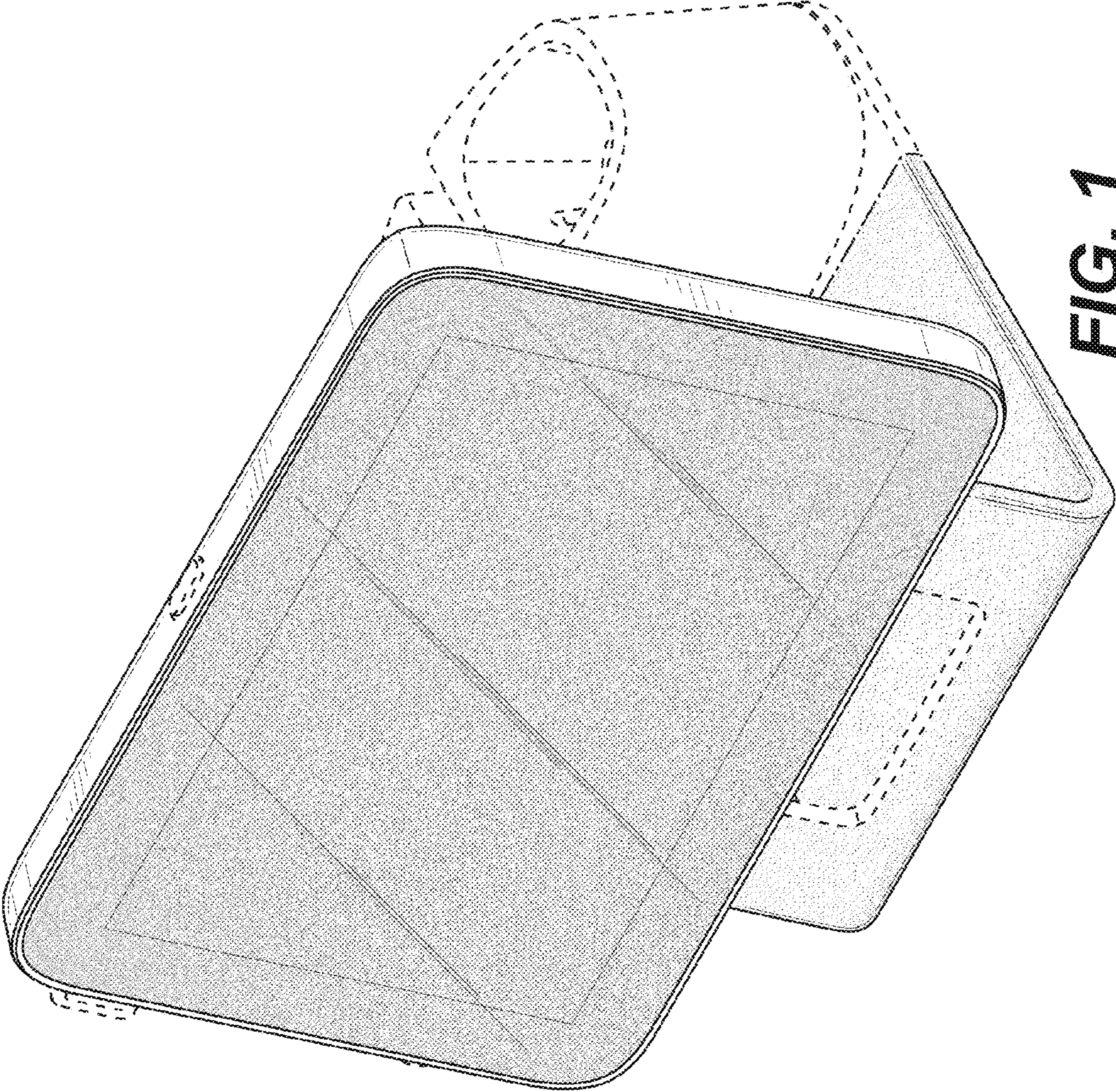


FIG. 1

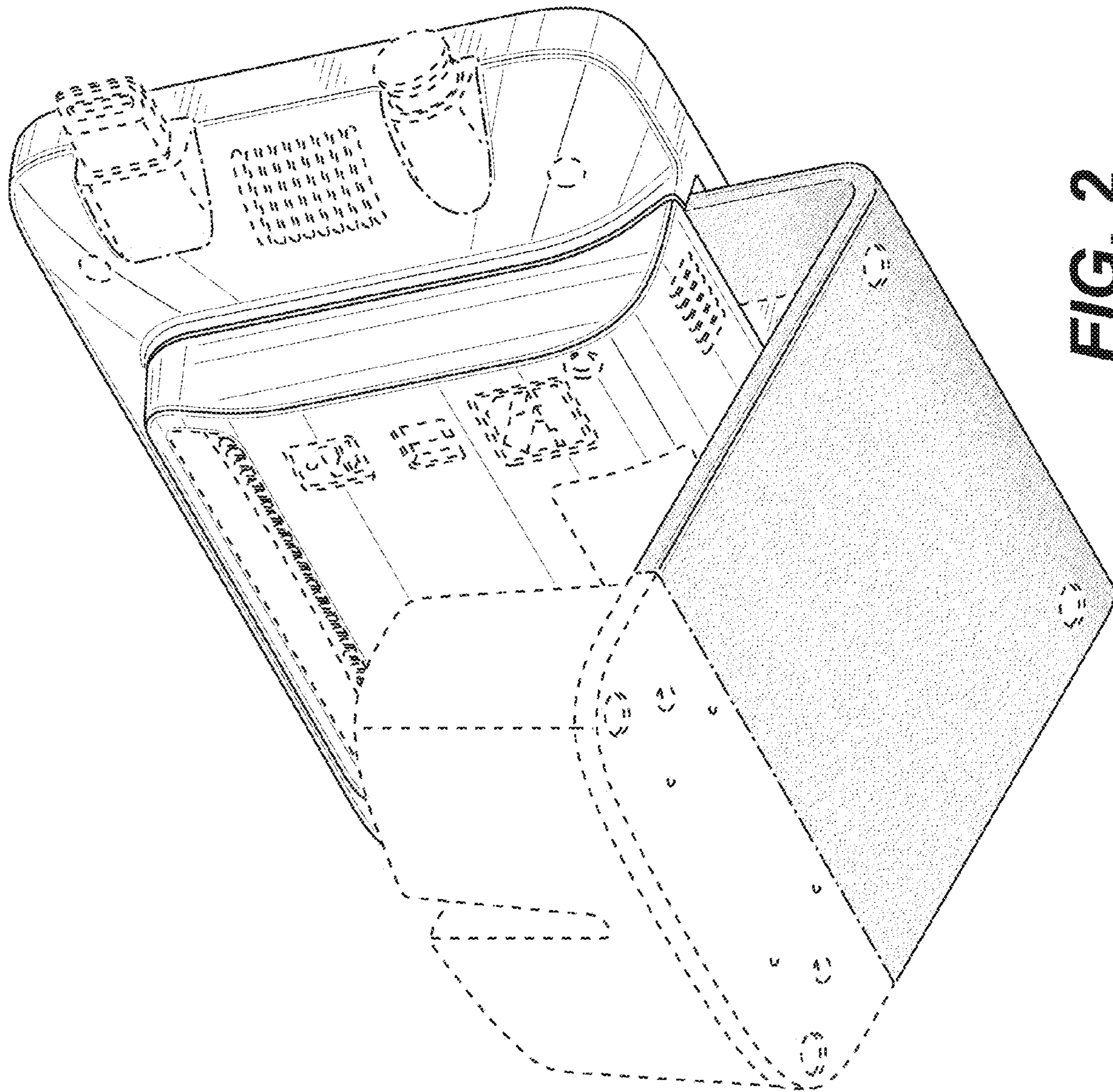


FIG. 2

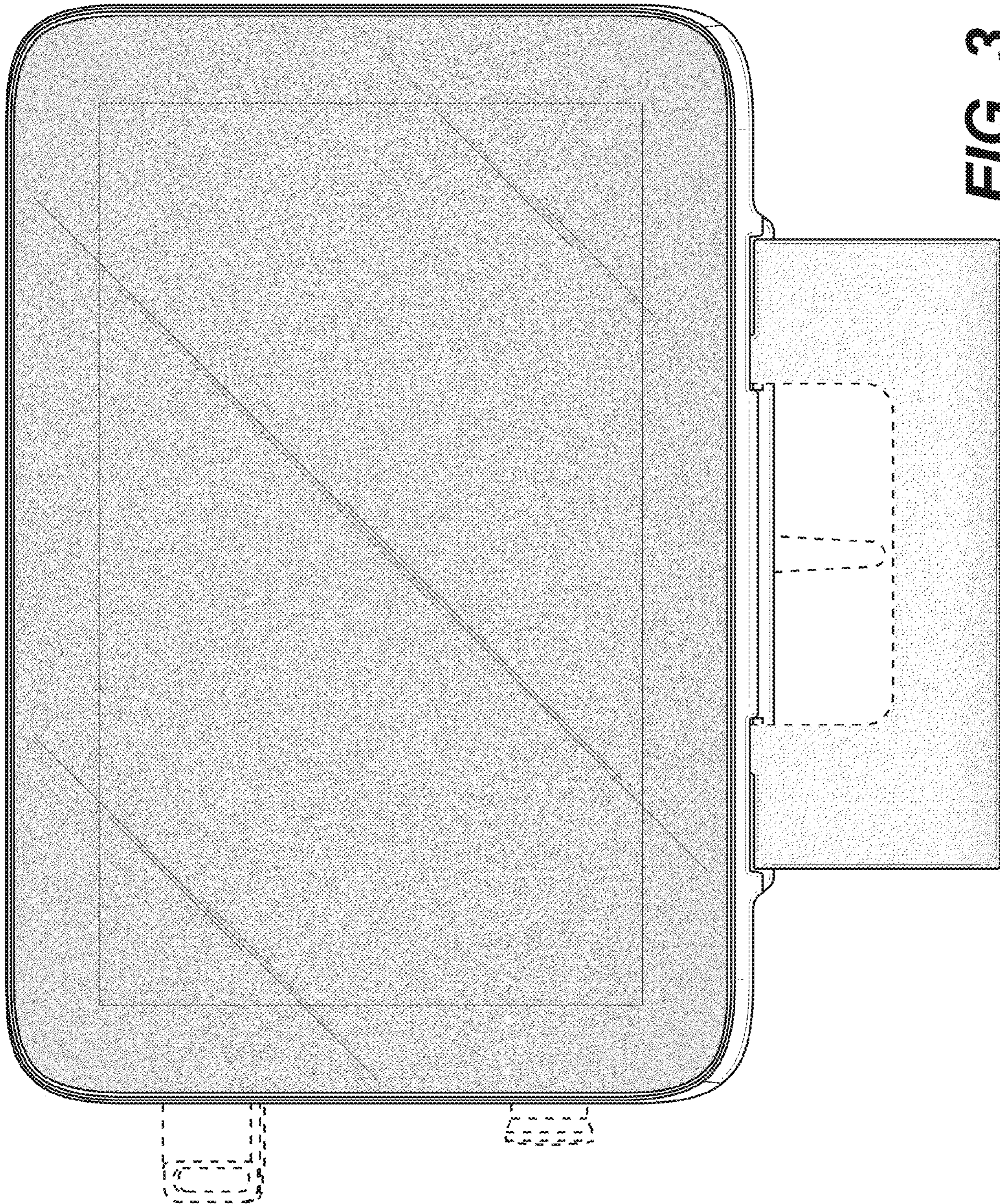


FIG. 3

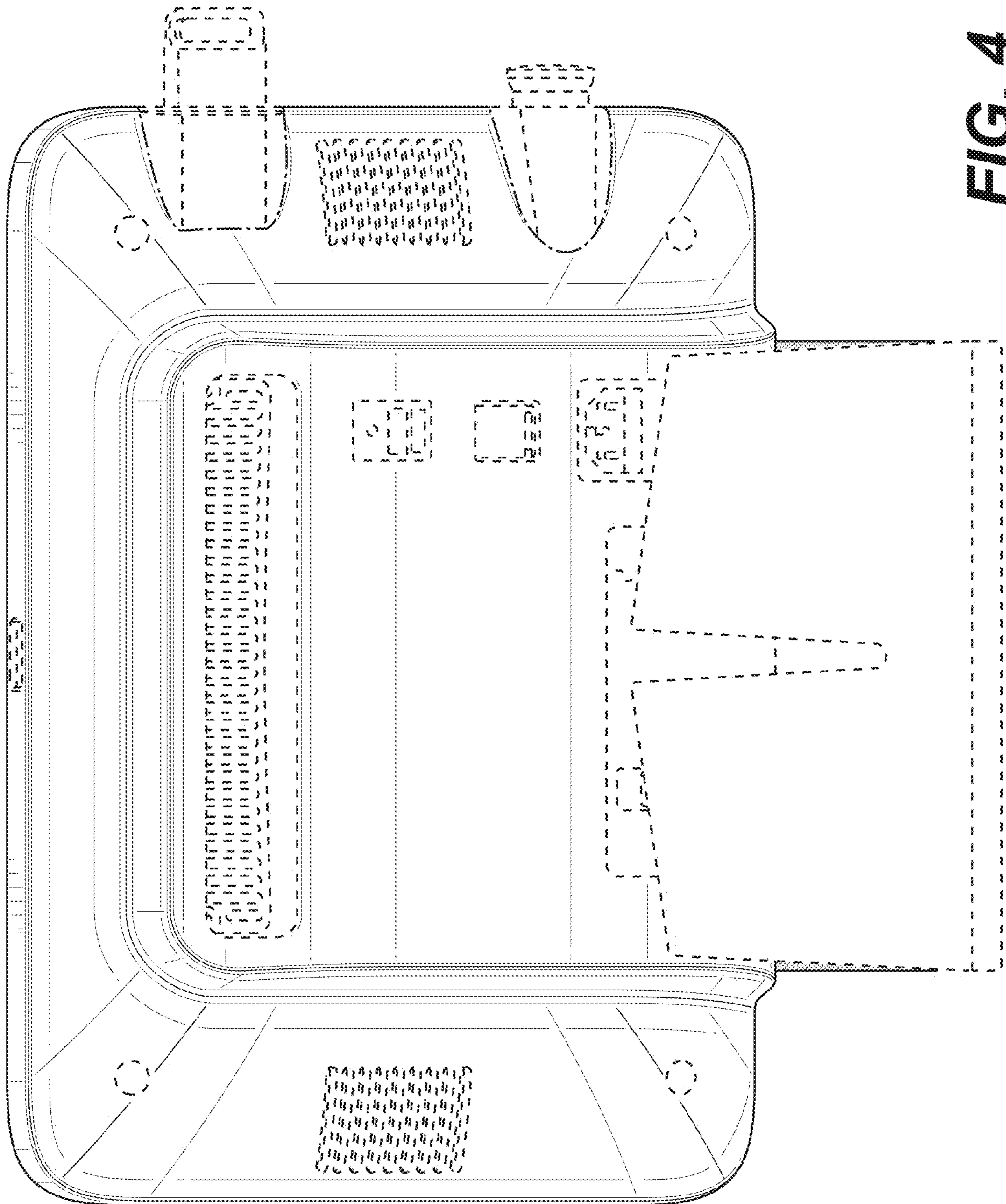


FIG. 4

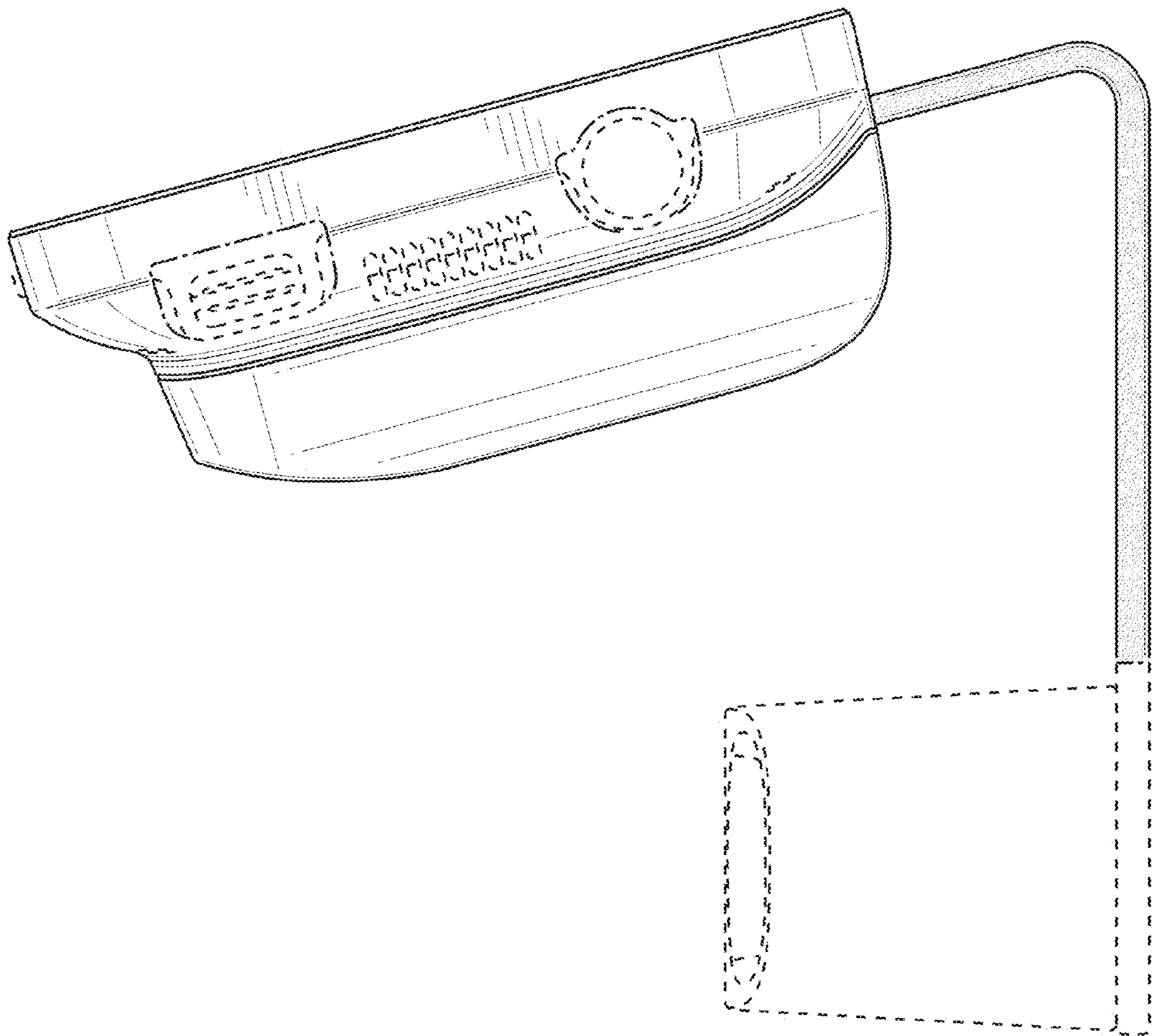


FIG. 5

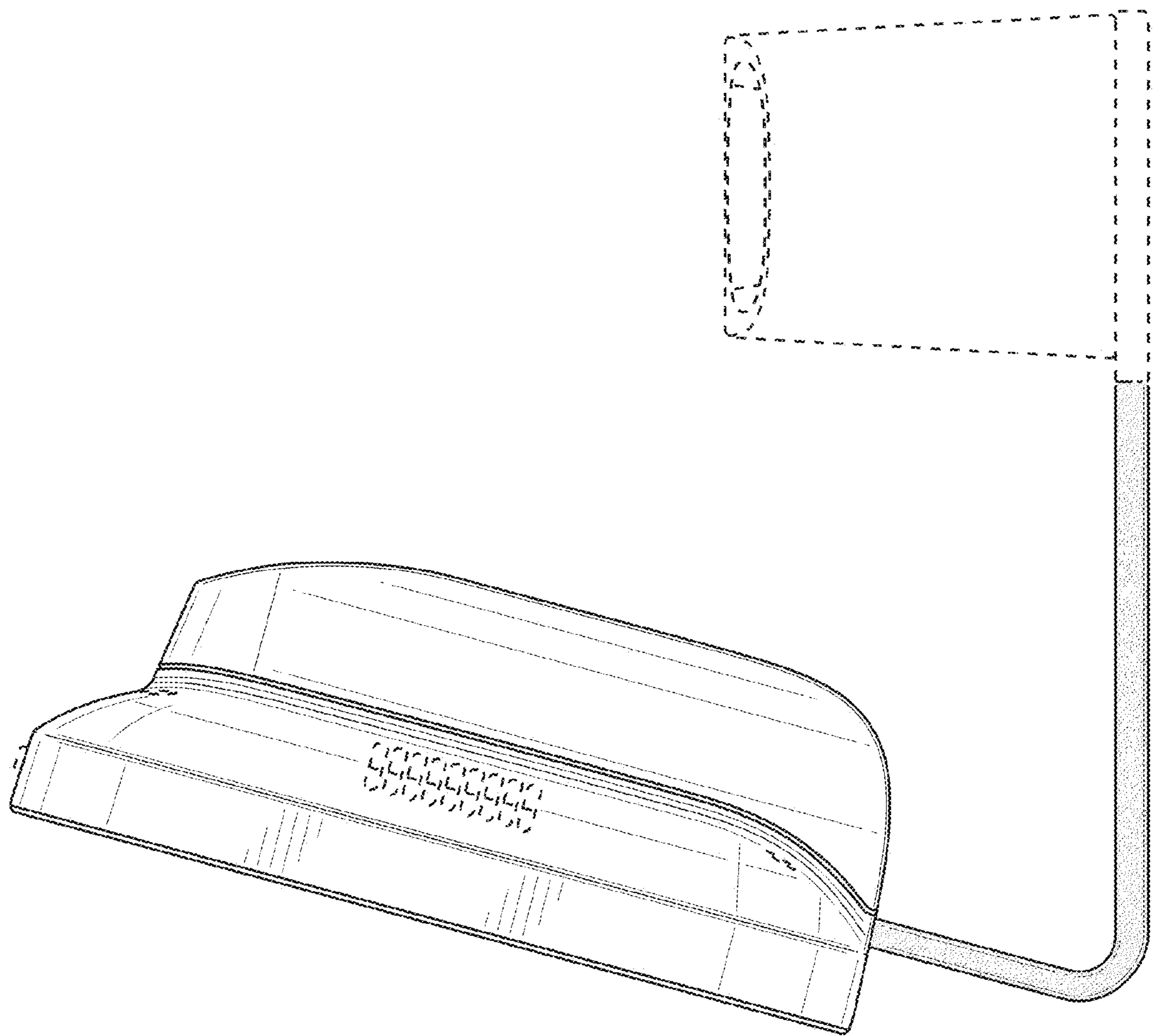
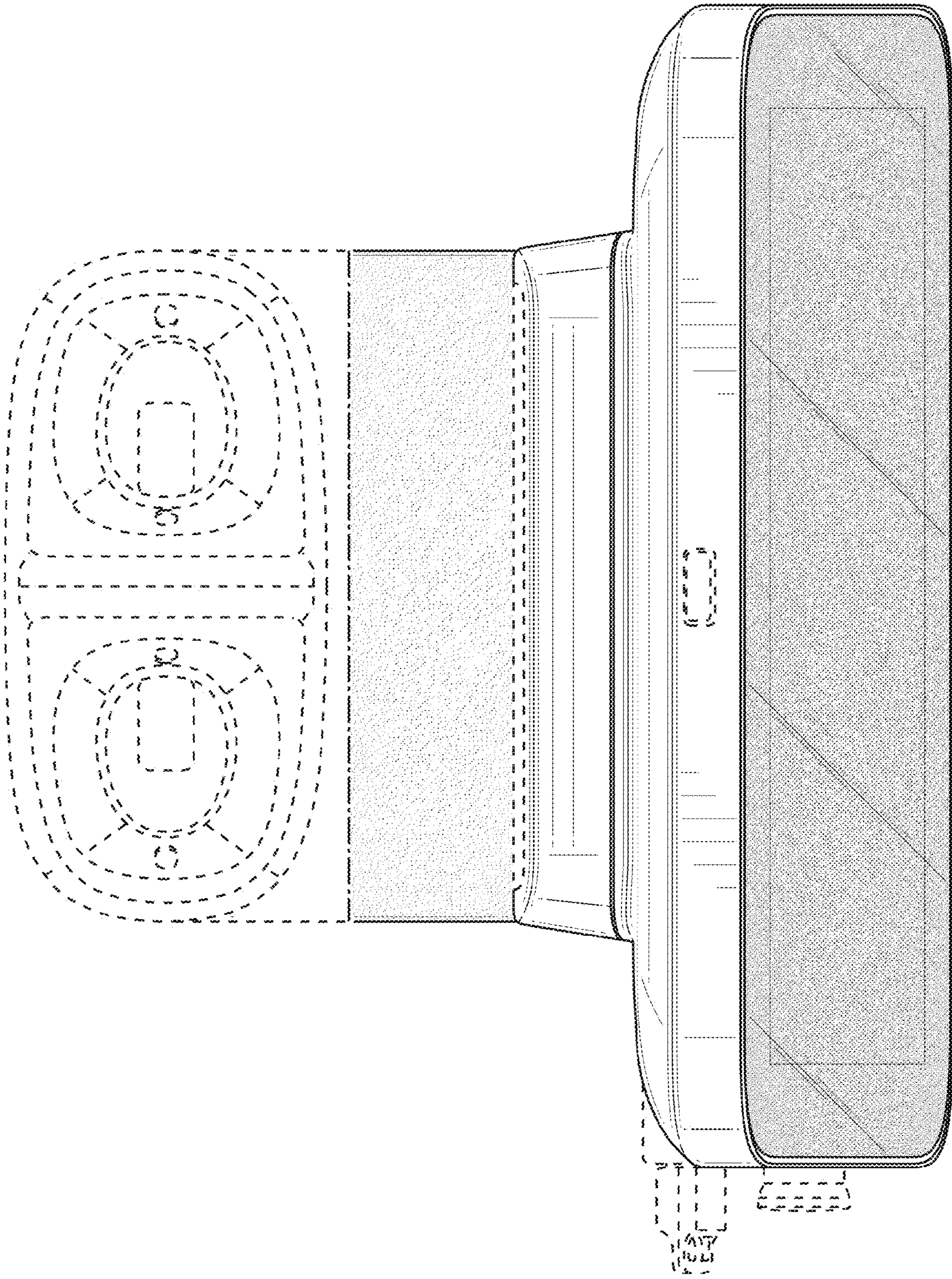
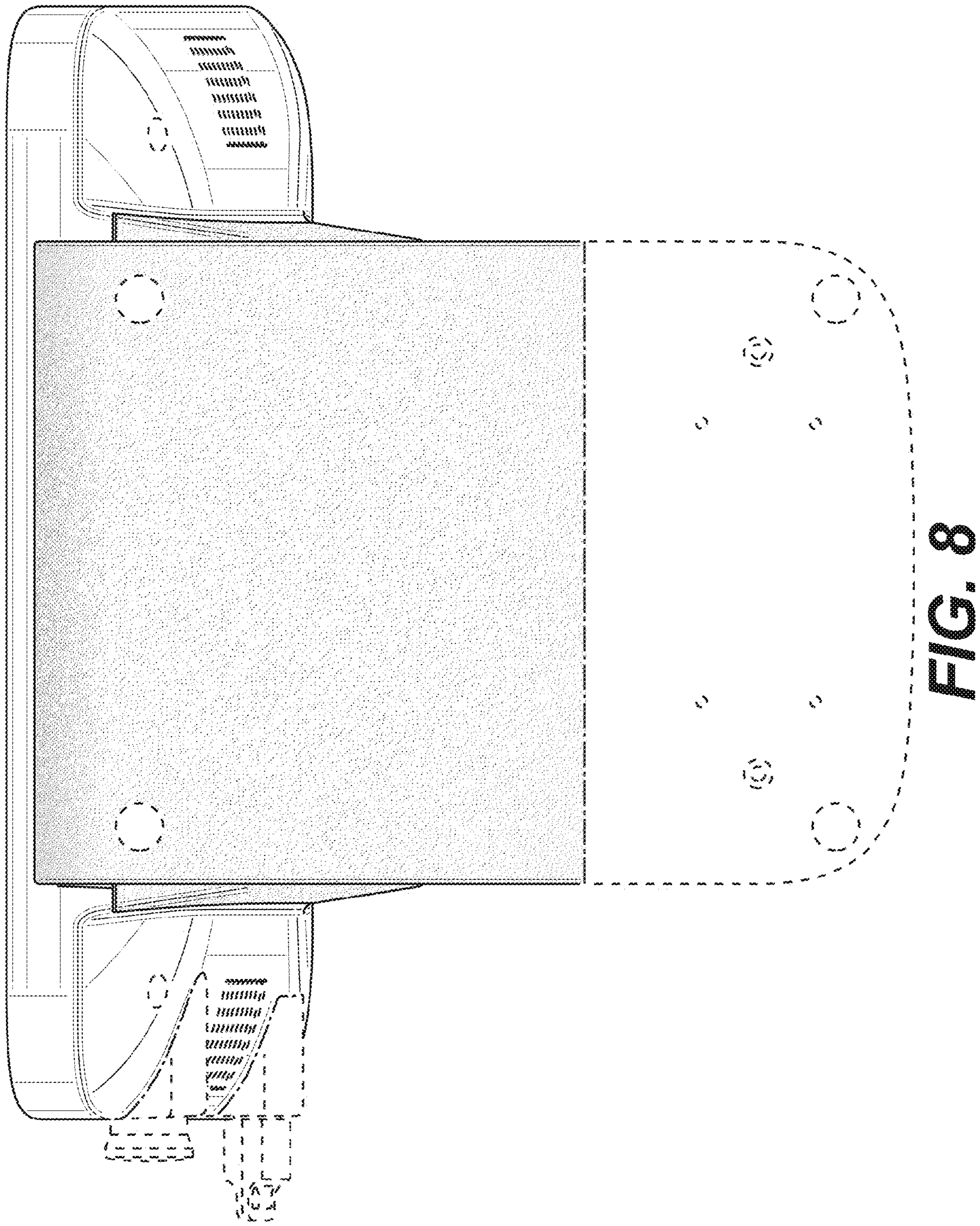


FIG. 6





**FIG. 7**



**FIG. 8**