



(12) **United States Design Patent** (10) **Patent No.:** **US D959,003 S**
Bockenstedt et al. (45) **Date of Patent:** **** Jul. 26, 2022**

(54) **LIGHT THERAPY DEVICE**

- (71) Applicant: **Bausch Health Ireland Limited**,
Dublin (IE)
- (72) Inventors: **Craig Bockenstedt**, Bothell, WA (US);
Richard Malwitz, Bothell, WA (US);
Adam Weisgerber, Shoreline, WA
(US); **Jeffrey Ladwig**, Seattle, WA
(US); **Aaron Piazza**, Lake Forest Park,
WA (US); **Michael Carl Beckman**,
Seattle, WA (US)
- (73) Assignee: **SOLTA MEDICAL IRELAND
LIMITED**, Dublin (IE)
- (**) Term: **15 Years**
- (21) Appl. No.: **29/780,736**
- (22) Filed: **Apr. 26, 2021**

Related U.S. Application Data

- (63) Continuation of application No. 29/720,106, filed on
Jan. 9, 2020, now Pat. No. Des. 921,212.
- (51) **LOC (13) Cl.** **28-03**
- (52) **U.S. Cl.**
USPC **D24/209**
- (58) **Field of Classification Search**
USPC D24/200, 214, 209, 210, 185, 186;
D26/106, 120; D14/307, 336, 371, 375,
D14/376
CPC A61N 5/062; A61N 5/0616; A61N 5/0618;
A61N 2005/0642; A61N 2005/0644;
A61N 2005/0645; A61N 2005/0647;
A61N 2005/0654; A61N 2005/0659;
A61N 2005/066; A61N 2005/0661; A61N
2005/0662

See application file for complete search history.

(56) **References Cited**

U.S. PATENT DOCUMENTS

- D545,973 S * 7/2007 Powell D24/209
D599,485 S * 9/2009 Burrows D24/209
(Continued)

OTHER PUBLICATIONS

Office Action of the Intellectual Property Office for ROC (Taiwan)
Patent Application No. 109303744, dated Dec. 10, 2020, (4 pages).
(Continued)

Primary Examiner — Anhdao Doan

(74) *Attorney, Agent, or Firm* — Finnegan, Henderson,
Farabow, Garrett & Dunner, LLP

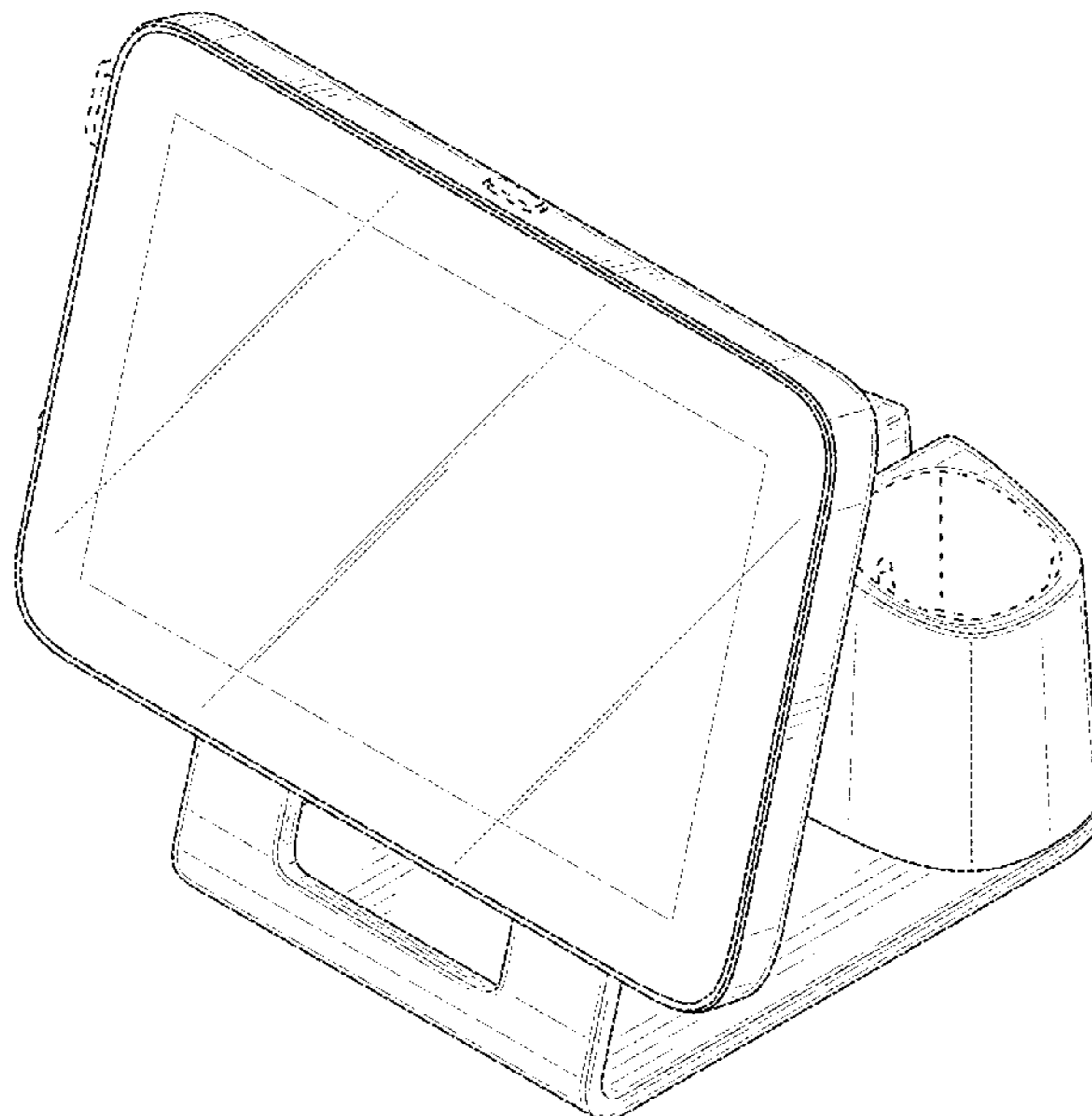
(57) **CLAIM**

The ornamental design for a light therapy device, as shown
and described.

DESCRIPTION

FIG. 1 is a front perspective view of a light therapy device
showing the new design;
FIG. 2 is a bottom perspective view thereof;
FIG. 3 is a front elevation view thereof;
FIG. 4 is a rear elevation view thereof;
FIG. 5 is a left side view thereof;
FIG. 6 is a right side view thereof;
FIG. 7 is a top plan view thereof;
FIG. 8 is a bottom plan view thereof; and,
FIG. 9 is a rear perspective thereof, showing the light
therapy device in a condition of use in which the additional
elements shown in broken lines represent environmental
structures and form no part of the claimed design.
The even-length broken lines shown in the drawings illus-
trate portions of the light therapy device that form no part of
the claimed design. The broken lines of uneven length
illustrate the boundary of the claimed design and form no
part thereof.

1 Claim, 9 Drawing Sheets



(56)

References Cited

U.S. PATENT DOCUMENTS

9,138,595 B2 * 9/2015 Savage A61N 5/0618
RE45,816 E * 12/2015 Andre D14/375
D757,955 S * 5/2016 Johnson D24/209
D809,141 S * 1/2018 Adams D24/158
D816,222 S * 4/2018 Barak D24/176
D835,291 S * 12/2018 Lei D24/209
D857,220 S * 8/2019 Chew D24/210
D861,167 S * 9/2019 Emery D24/158
D915,611 S * 4/2021 Probst D24/190
D921,212 S * 6/2021 Bockenstedt D24/209
D922,595 S * 6/2021 Bockenstedt D24/209
D928,376 S * 8/2021 Zhang D24/210
D928,975 S * 8/2021 Bockenstedt D24/209
2004/0249423 A1 * 12/2004 Savage A61M 21/00
607/90

OTHER PUBLICATIONS

Office Action of the Intellectual Property Office for ROC (Taiwan)
Patent Application No. 109303745, dated Dec. 10, 2020, (4 pages).
Office Action of the Intellectual Property Office for ROC (Taiwan)
Patent Application No. 109303746, dated Dec. 10, 2020, (4 pages).
Bockenstedt et al., Design U.S. Appl. No. 29/720,107, "Light
Therapy Device," filed Jan. 9, 2020.
Bockenstedt et al., Design U.S. Appl. No. 29/720,109, "Light
Therapy Device," filed Jan. 9, 2020.

* cited by examiner

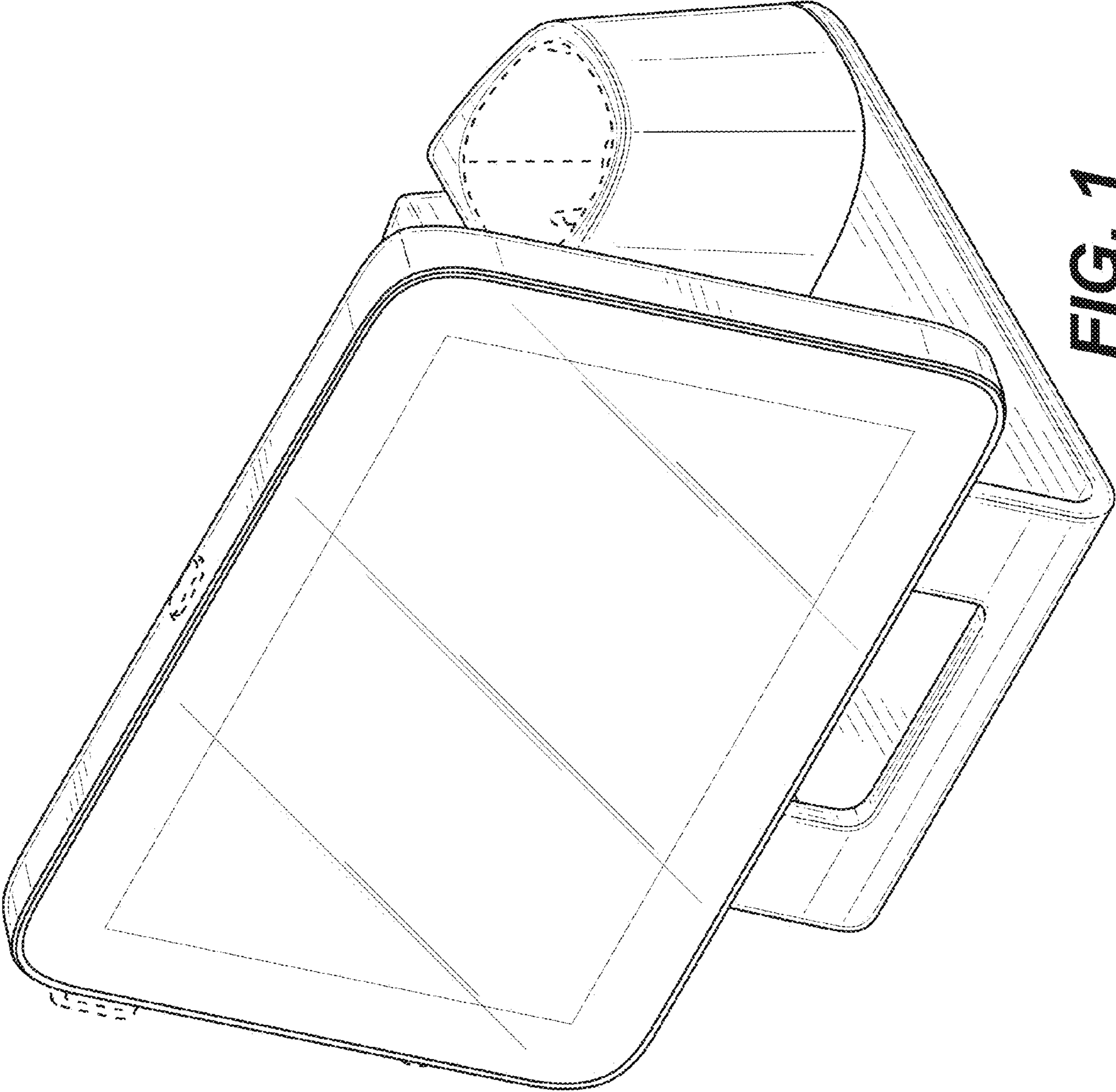


FIG. 1

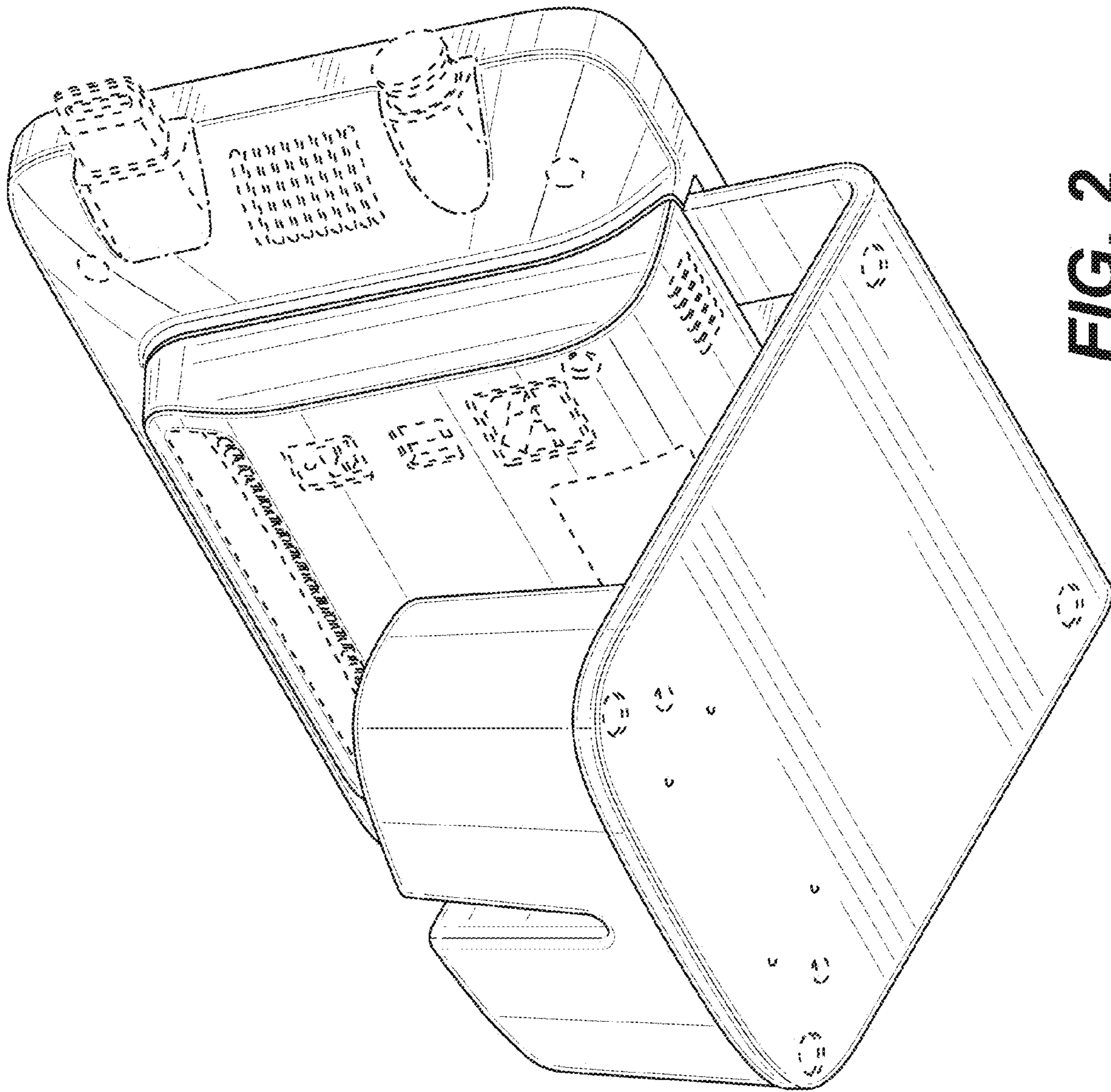


FIG. 2

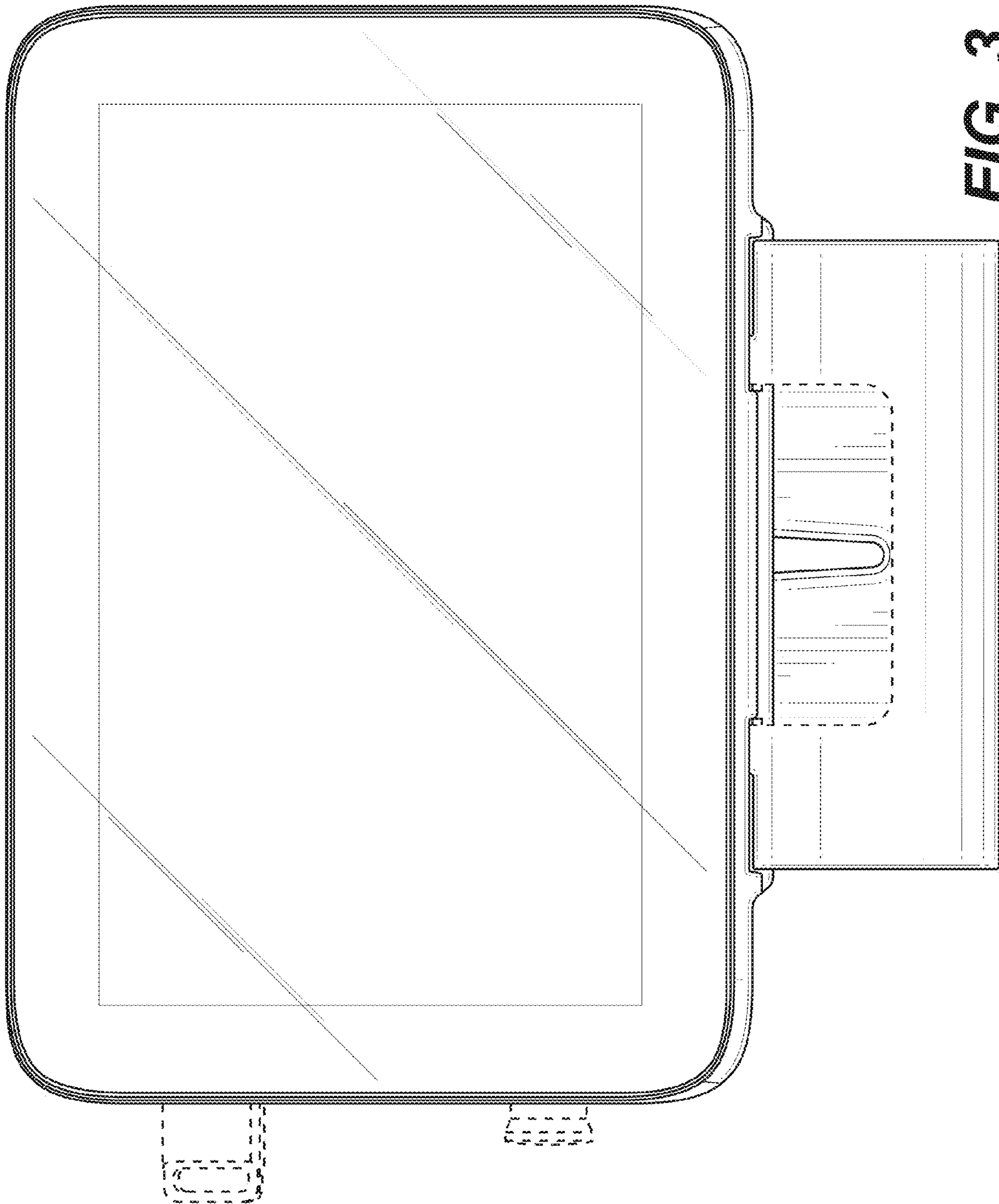


FIG. 3

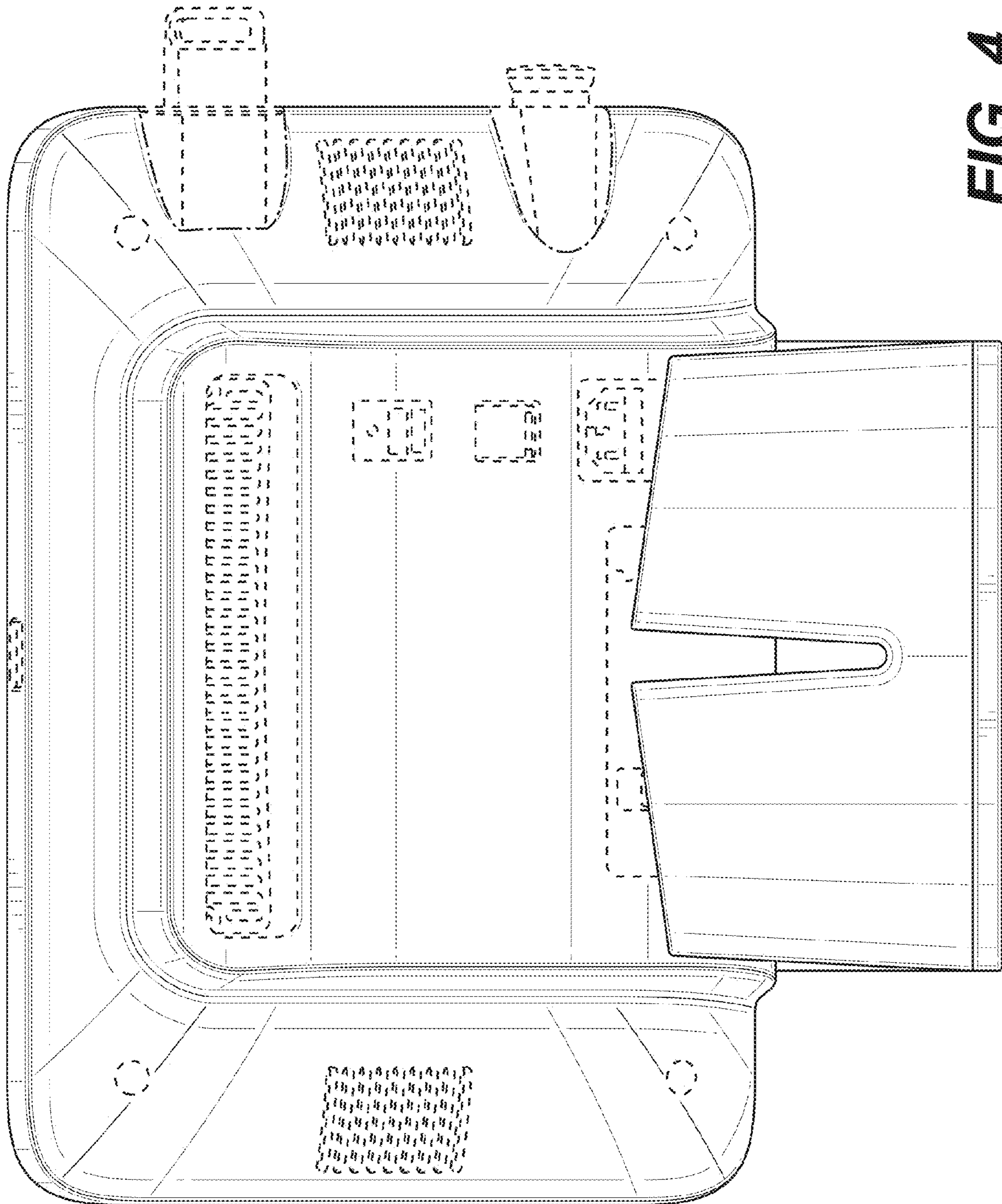


FIG. 4

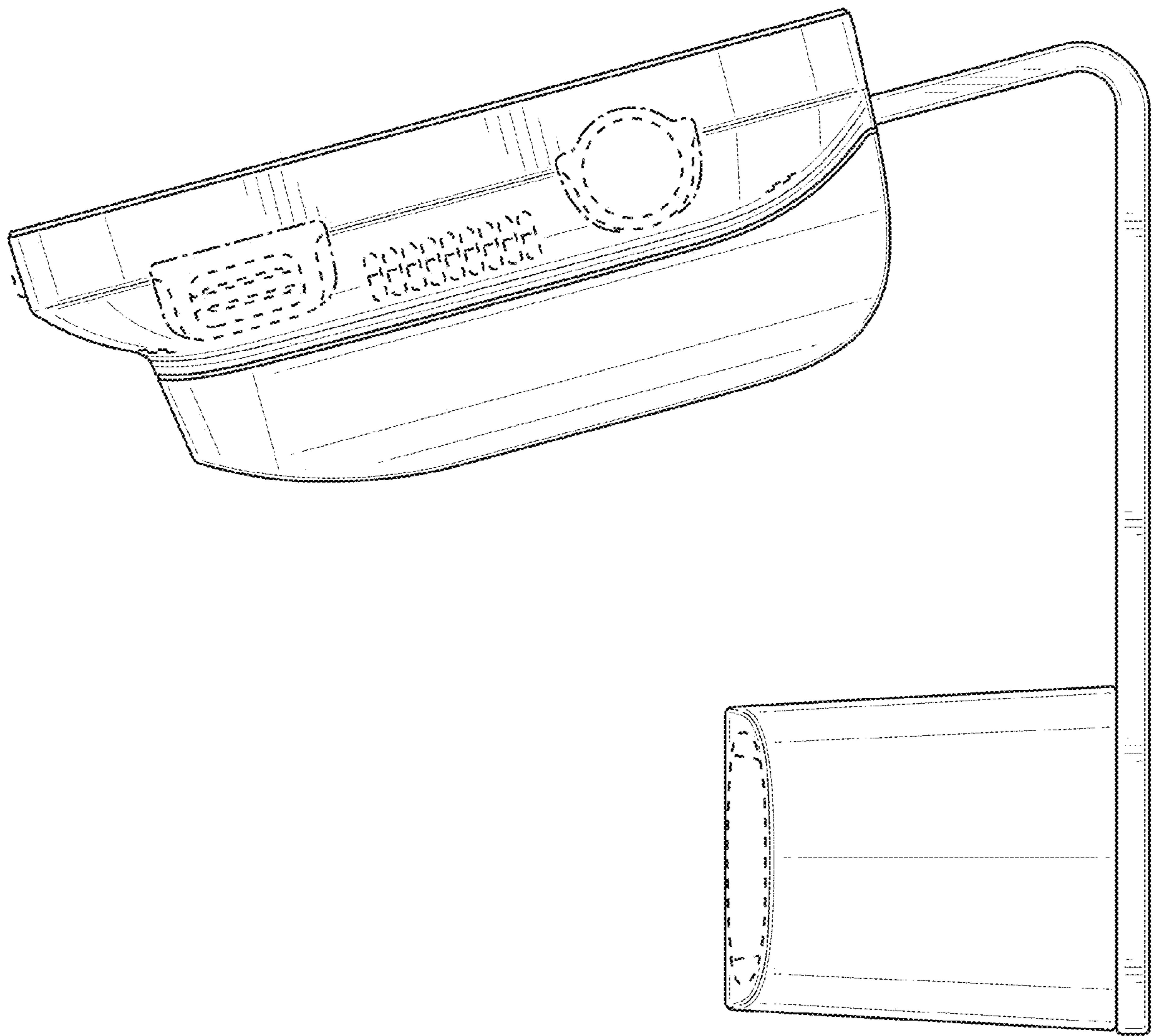


FIG. 5

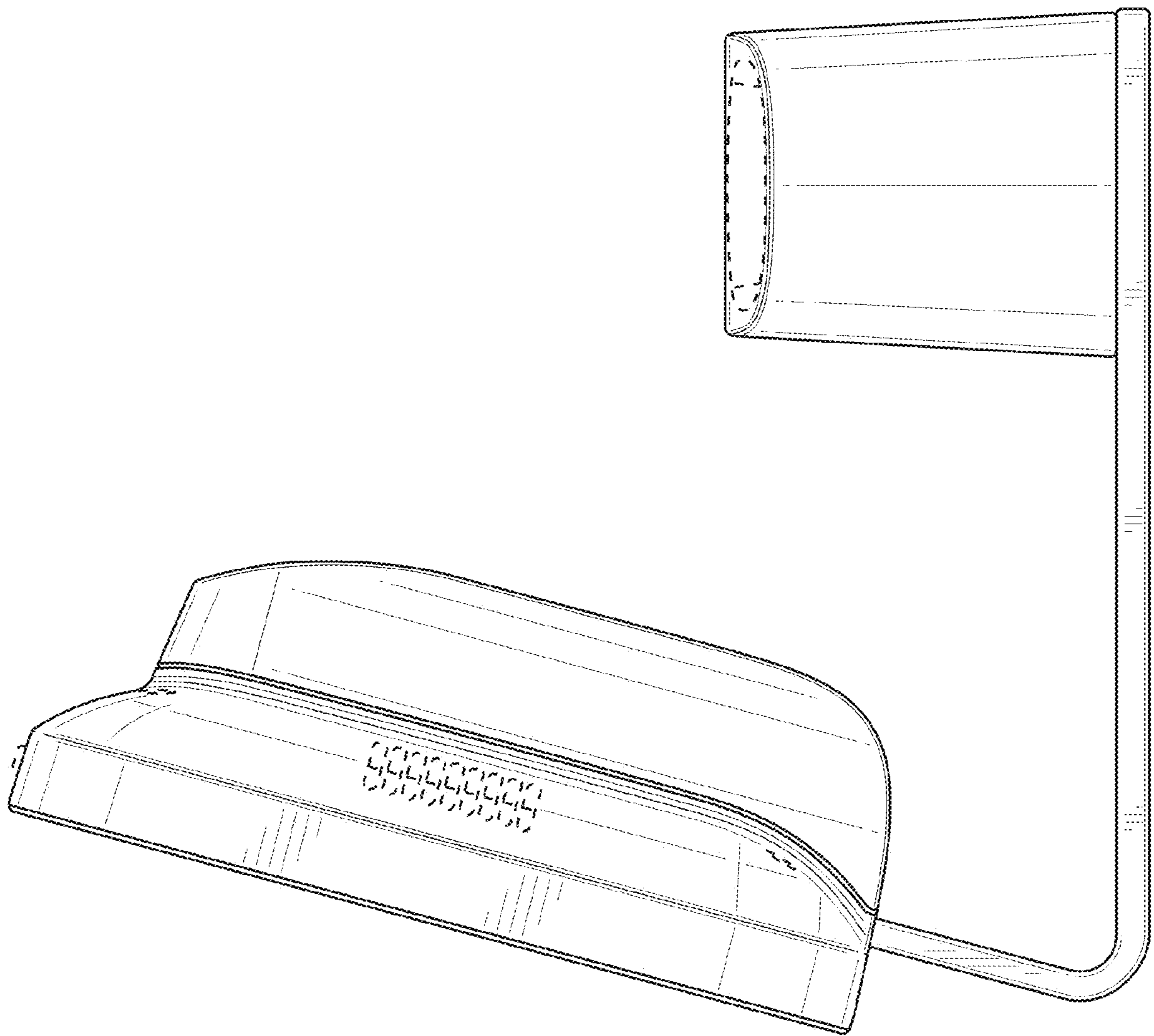


FIG. 6

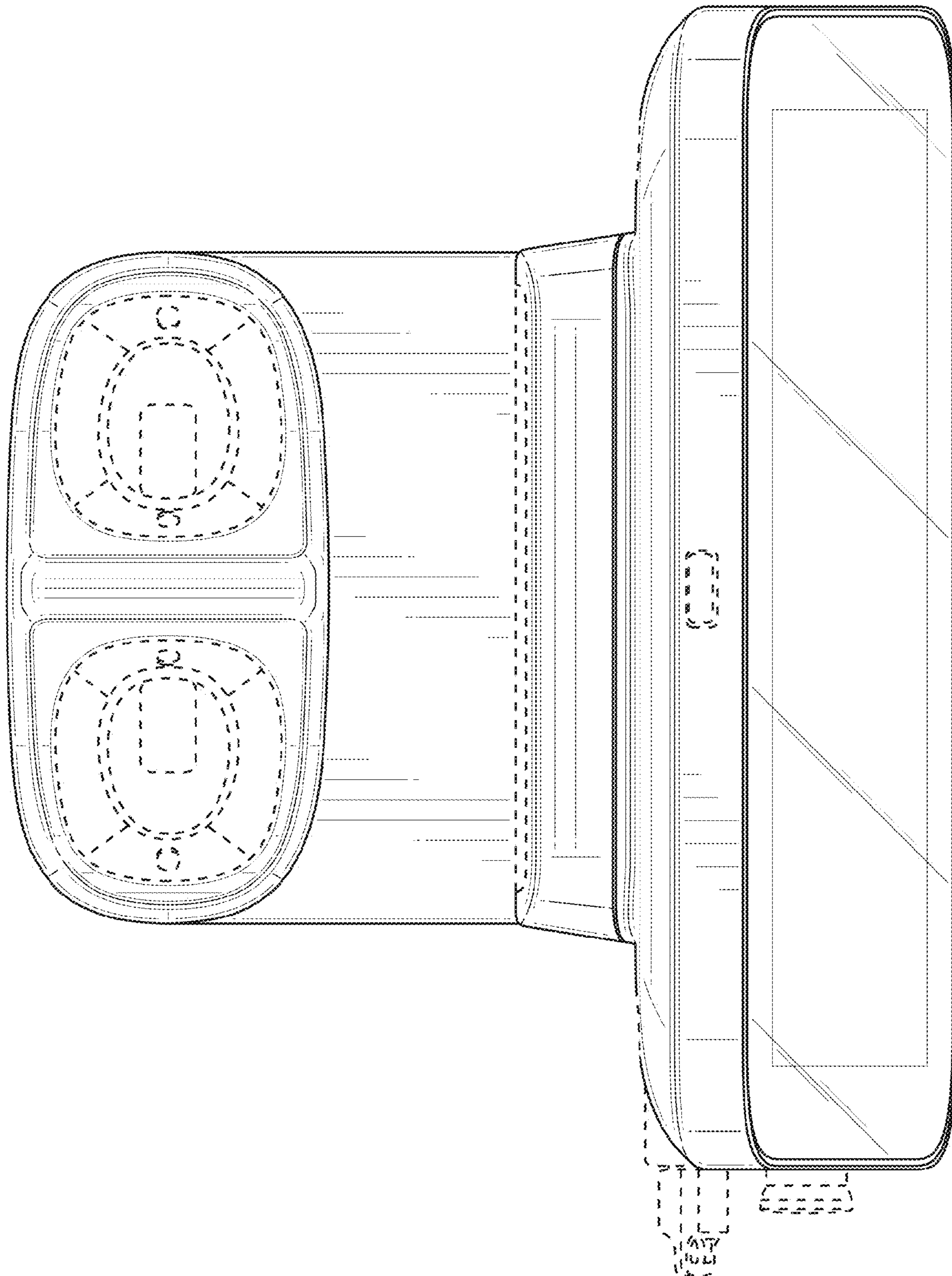


FIG. 7

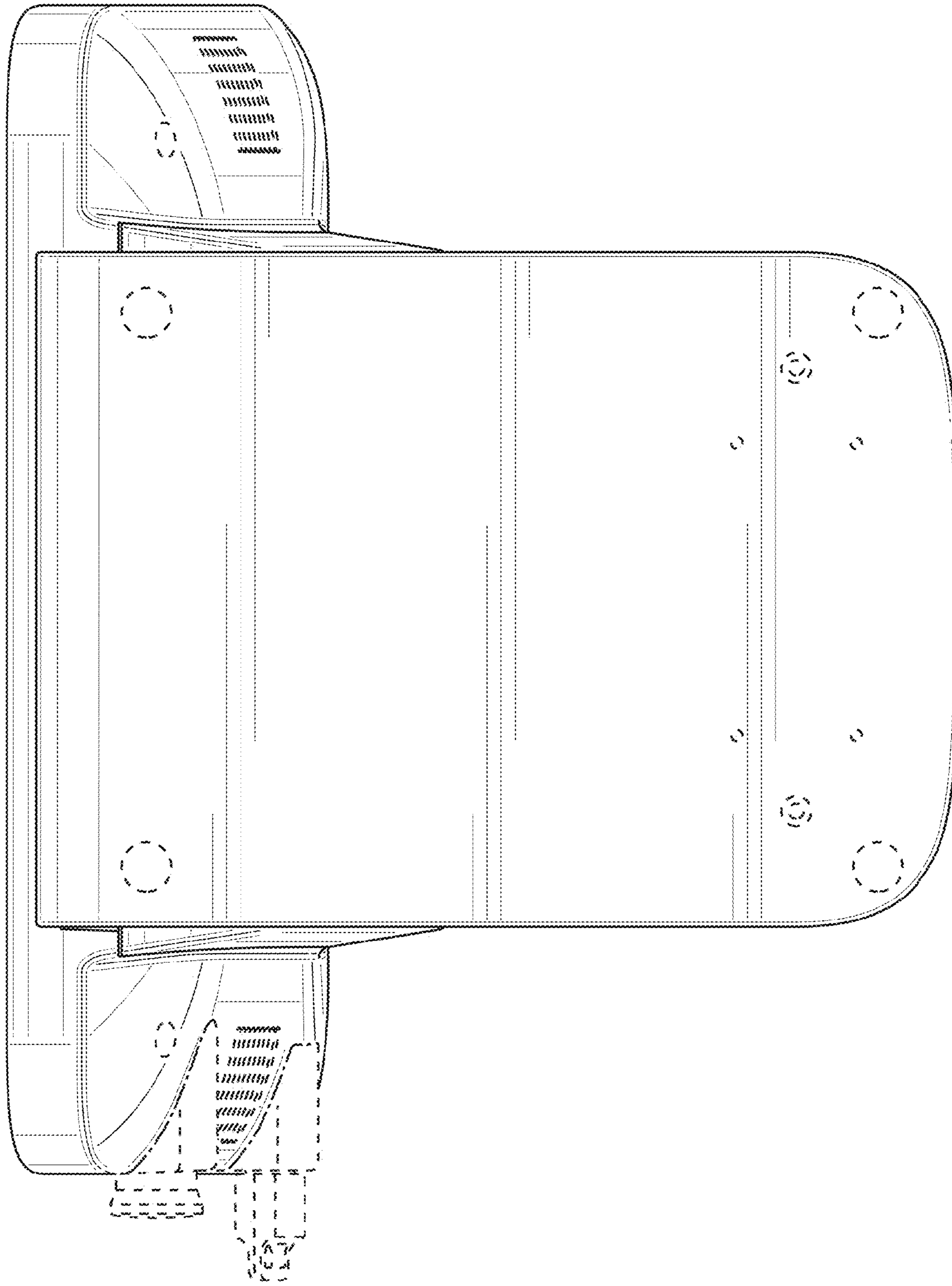


FIG. 8

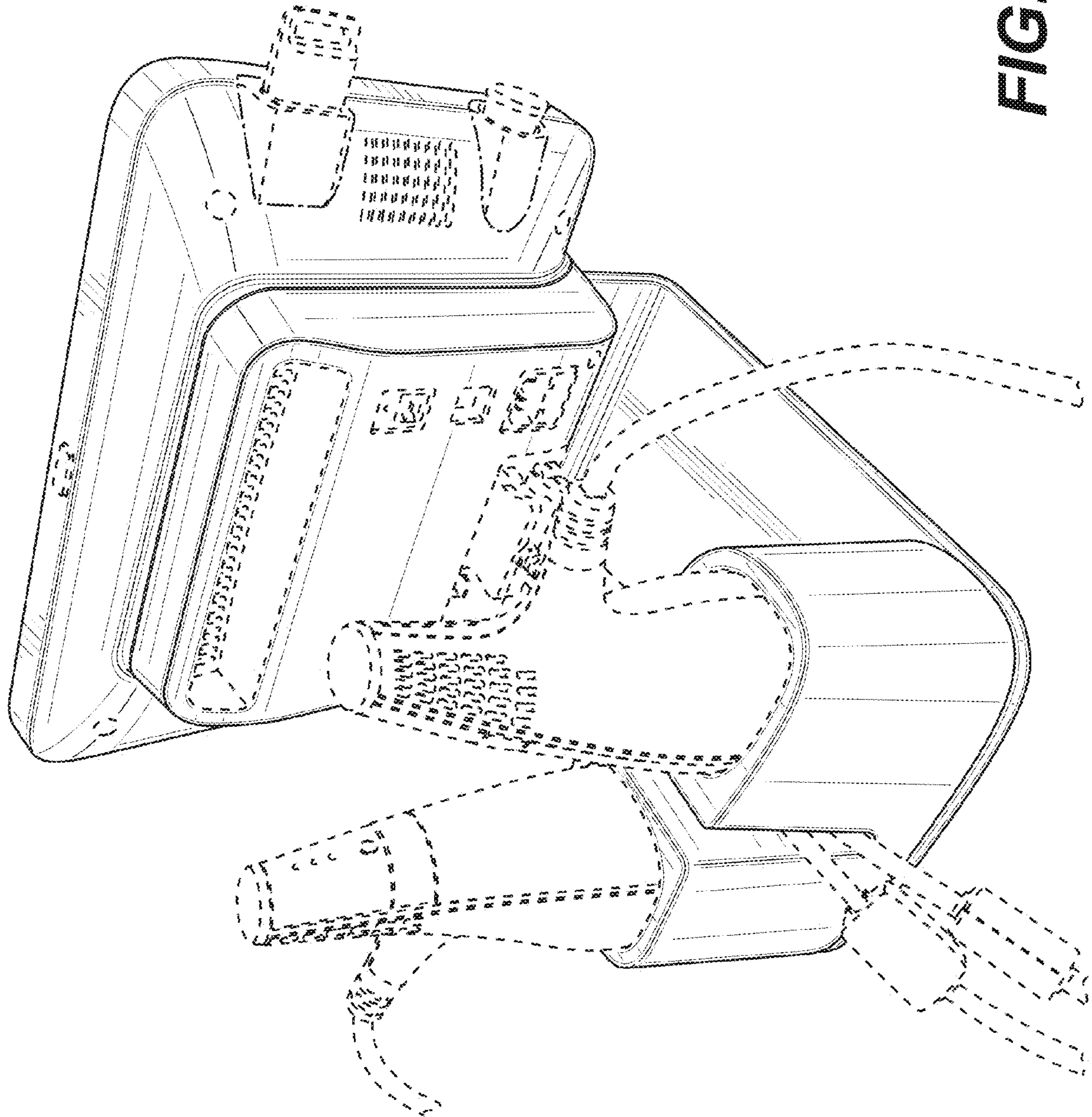


FIG. 9