



US00D958999S

(12) **United States Design Patent** (10) **Patent No.:** **US D958,999 S**
Lowsky (45) **Date of Patent:** **** Jul. 26, 2022**

(54) **ORAL-MOTOR THERAPY PENDANT**

(71) Applicant: **ARK Therapeutic Services, Inc.**,
Columbia, SC (US)

(72) Inventor: **Rebecca E. Lowsky**, Columbia, SC
(US)

(73) Assignee: **ARK Therapeutic Services, Inc.**,
Columbia, SC (US)

(**) Term: **15 Years**

(21) Appl. No.: **29/754,402**

(22) Filed: **Oct. 9, 2020**

(51) **LOC (13) Cl.** **24-04**

(52) **U.S. Cl.**
USPC **D24/195**; D11/81

(58) **Field of Classification Search**
USPC D24/193, 194, 195, 199, 214; D29/118,
D29/122; D30/154, 160; D4/104, 107;
D2/614; D21/576, 584, 596, 604, 611,
D21/630, 643, 684, 725; D11/81
CPC A61J 17/02; A61J 17/001; A61J 17/111;
A61J 17/1115; A61J 17/1111; A61J
9/005; A46B 15/0097; A63B 23/032;
B60N 2/28; B60N 2/26

See application file for complete search history.

(56) **References Cited**

U.S. PATENT DOCUMENTS

D273,990 S * 5/1984 Lamsam D24/194
D404,137 S * 1/1999 Underwood D24/194
D571,685 S * 6/2008 Pineda D11/81
D584,823 S * 1/2009 Conlon D24/194
D650,083 S * 12/2011 Sharp D24/194
D722,384 S * 2/2015 Kuneyl D24/194
8,985,060 B2 * 3/2015 Angle A01K 15/025
119/707
D797,947 S * 9/2017 Schill D24/194

D833,026 S * 11/2018 Khodabakhshian D24/211
D881,712 S * 4/2020 Young D9/668
D883,493 S * 5/2020 Wallis D24/176
2004/0215234 A1 * 10/2004 McCardell A47G 21/00
606/235
2006/0102099 A1 * 5/2006 Edwards A01K 15/026
119/710

OTHER PUBLICATIONS

“Ark Therapeutic: Jumbo Chew Pendant Pack”. Found online Jul. 11, 2019 at arktherapeutic.com. Reference dated May 15, 2018. Retrieved from www.arktherapeutic.com/jumbo-chew-pack/*
“ChewNoodle: Blue Noodle”. Found online Nov. 17, 2016 at amazon.com. Reference dated Feb. 21, 2013. Retrieved from www.amazon.com/Chewnoodle-Chew-Noodle-Blue/dp/B004IL8MES/ref=cm_cr_arp_d_product_top?ie=UTF8.*

(Continued)

Primary Examiner — Kendra Leslie Hamilton

(74) *Attorney, Agent, or Firm* — Nelson Mullins Riley & Scarborough LLP

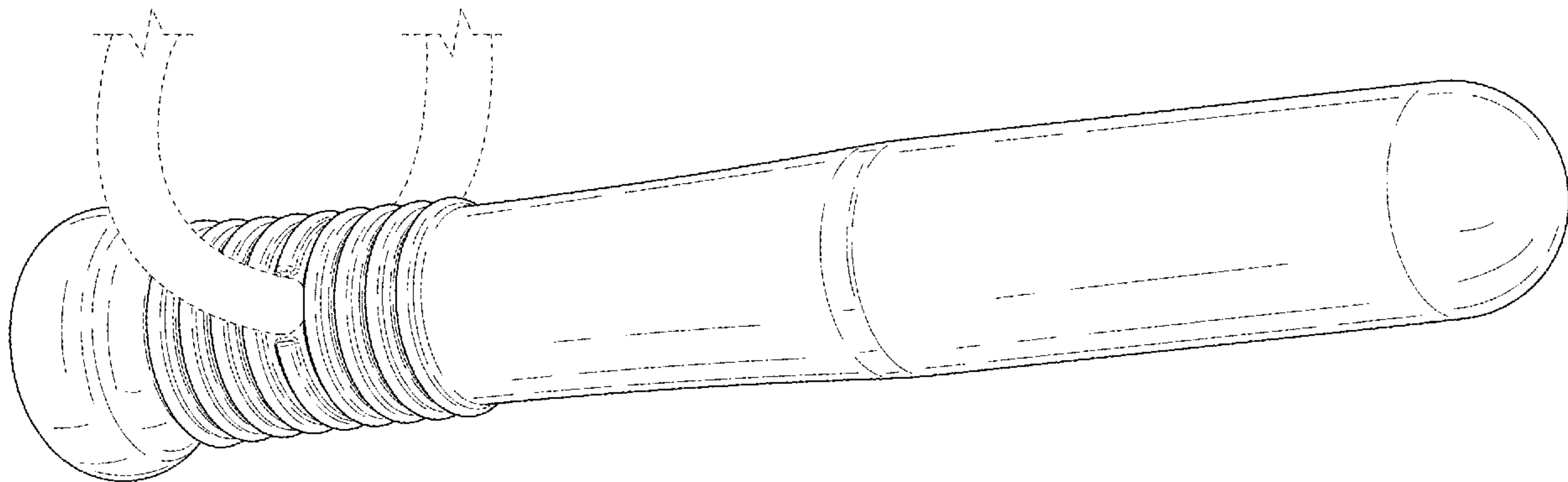
(57) **CLAIM**

The ornamental design for an oral-motor therapy pendant, as shown and described.

DESCRIPTION

FIG. 1 is a top, front, left perspective view of an oral-motor therapy pendant, showing my design in a condition for use; FIG. 2 is a left side elevation view of the oral-motor therapy pendant of FIG. 1; FIG. 3 is a right side elevation view thereof; FIG. 4 is a top plan view thereof; FIG. 5 is a bottom plan view thereof; FIG. 6 is a front elevation view thereof; and, FIG. 7 is a rear elevation view thereof. The portions shown in broken lines form no part of the claimed design.

1 Claim, 4 Drawing Sheets



(56)

References Cited

OTHER PUBLICATIONS

“Ark Therapeutic: Mini Tip”. Found online Nov. 17, 2016 at helpthemshine.com. Reference dated Mar. 9, 2015. Retrieved from web.archive.org/web/20150309085150/http://www.helpthemshine.com/shop/adaptive-products/arks-mini-tip/*

“Canay: Hollow Teething Tubes”. Found online Apr. 22, 2021 at amazon.com. Reference dated Jul. 16, 2020. Retrieved from www.amazon.com/Hollow-Teething-Tubes-6-8-Long/dp/B08BTV729G/ref=cm_cr_ar_p_d_product_top?*

Instagram post by arktherapeutic, published at <https://www.instagram.com/p/CFdN0svoY8F/> on Sep. 22, 2020, all enclosed pages cited.

* cited by examiner

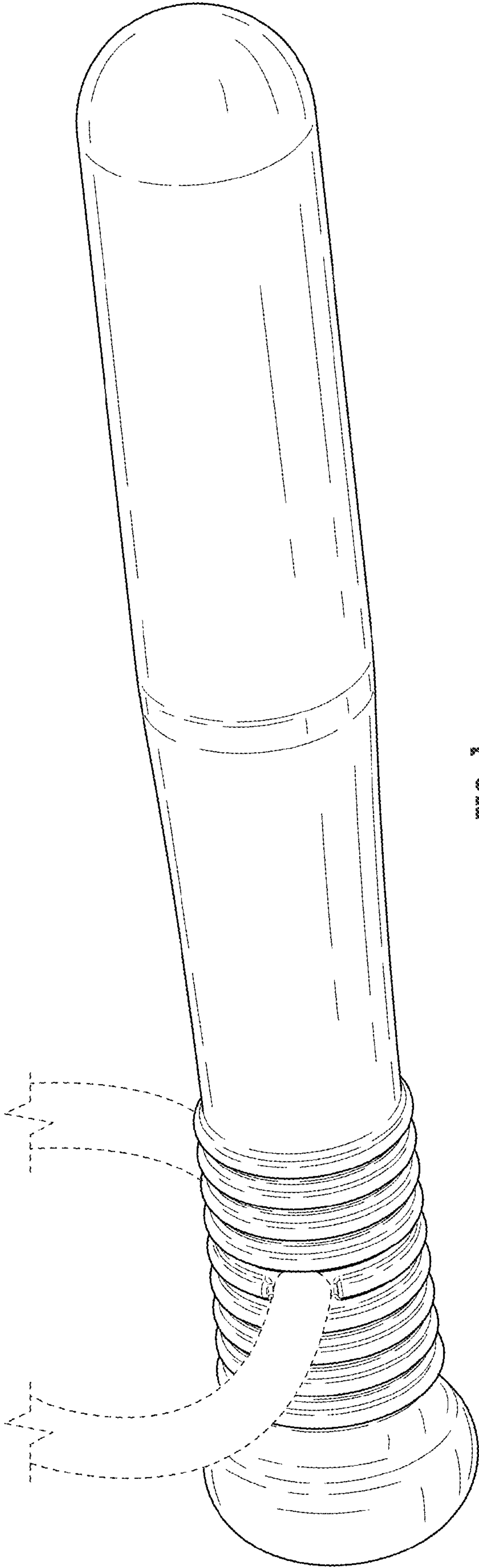


FIG. 1

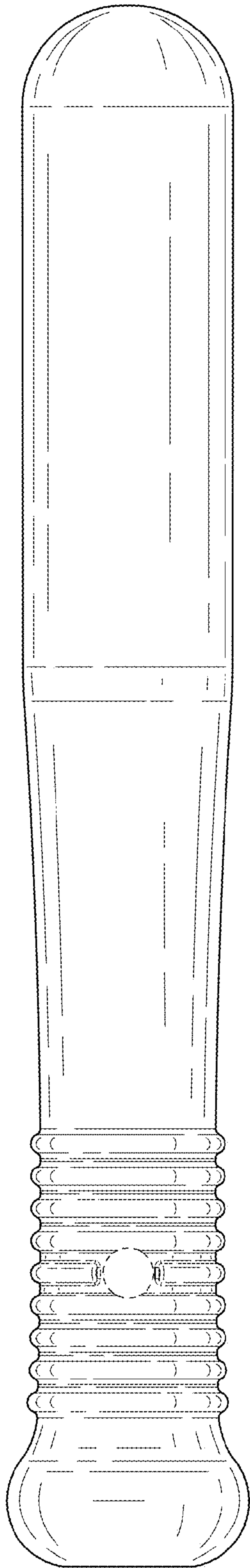


FIG. 2

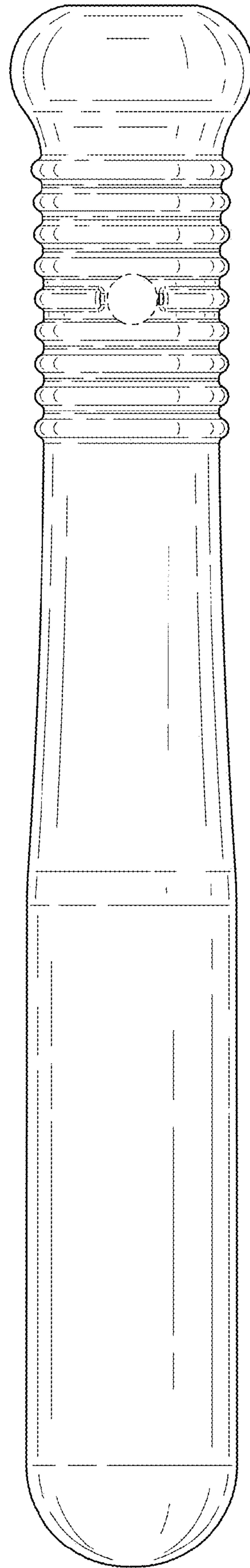


FIG. 3

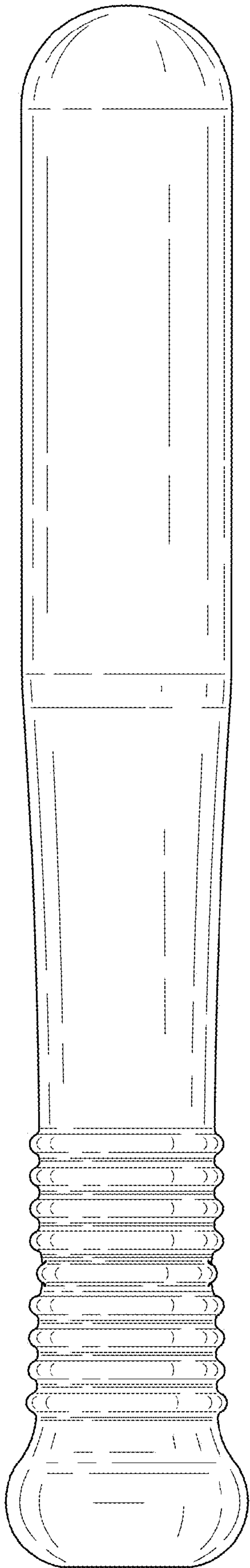


FIG. 4

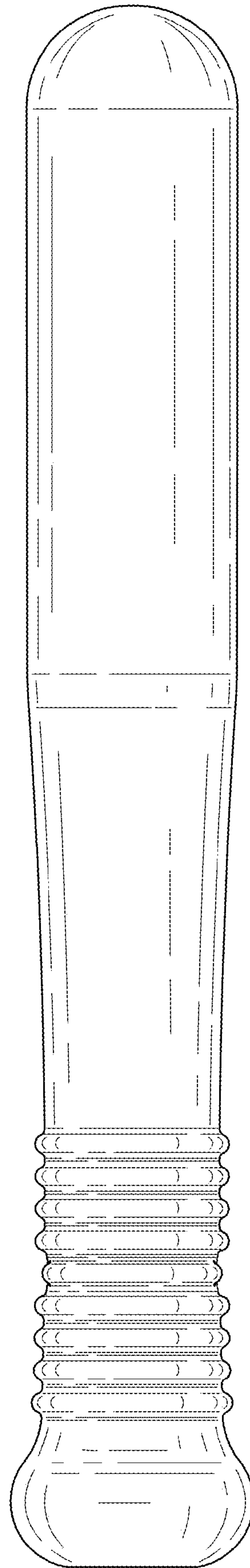


FIG. 5

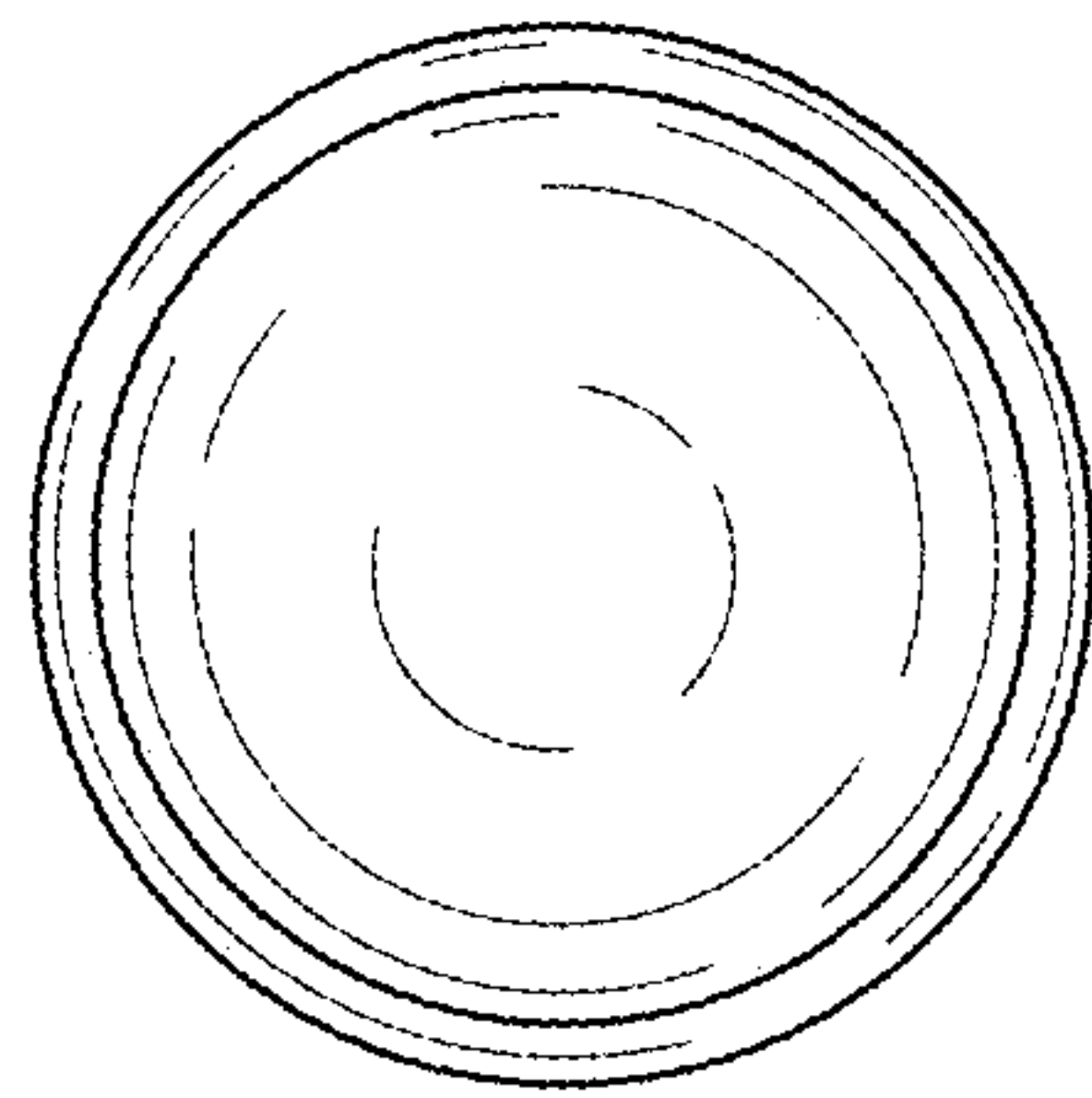


FIG. 6

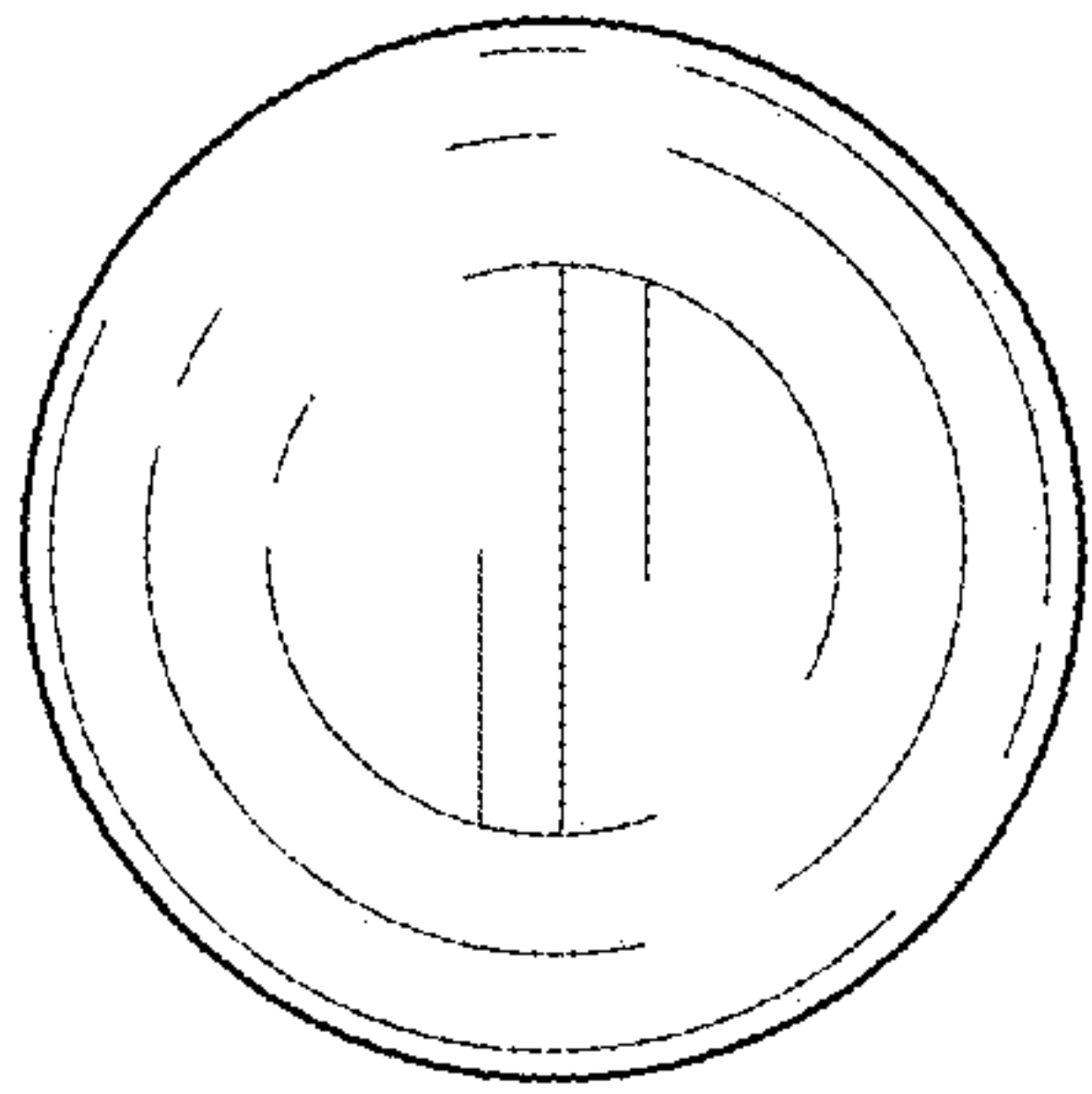


FIG. 7