



US00D958998S

(12) **United States Design Patent** (10) **Patent No.:** **US D958,998 S**
Schill (45) **Date of Patent:** **** Jul. 26, 2022**

- (54) **TEETHING TUBE**
- (71) Applicant: **BABY TEETHING TUBES L.L.C.**,
Campbellsport, WI (US)
- (72) Inventor: **Trevor Schill**, Campbellsport, WI (US)
- (73) Assignee: **BABY TEETHING TUBES L.L.C.**,
Campbellsport, WI (US)
- (**) Term: **15 Years**
- (21) Appl. No.: **29/773,964**
- (22) Filed: **Mar. 12, 2021**

Related U.S. Application Data

- (63) Continuation of application No. 29/726,419, filed on Mar. 3, 2020, which is a continuation of application No. 29/616,093, filed on Sep. 1, 2017, now Pat. No. Des. 877,917, which is a continuation of application No. 29/519,675, filed on Mar. 6, 2015, now Pat. No. Des. 797,947.
- (51) **LOC (13) Cl.** **24-04**
- (52) **U.S. Cl.**
USPC **D24/194**
- (58) **Field of Classification Search**
USPC D24/193, 194, 195, 208, 214; D30/160;
D1/106, 107, 110, 115, 125; D21/483,
D21/496, 532, 576, 603, 615, 622, 650
CPC A61J 17/02; A61J 17/111; A61J 2200/44
See application file for complete search history.

(56) **References Cited**

U.S. PATENT DOCUMENTS

- 2,115,405 A * 4/1938 Allen A61J 17/02
606/235
- D264,880 S * 6/1982 Panicci D21/408
- D336,520 S 6/1993 McDaniel
- D337,827 S 7/1993 Seng
- D343,262 S 1/1994 Axelrod
- D358,111 S 5/1995 Gregory

- D383,307 S 9/1997 Klein et al.
- D417,319 S 11/1999 Weiss, Jr.
- 6,200,283 B1 3/2001 Groen
- 6,863,681 B2 * 3/2005 Dickerson A61J 7/0053
606/235
- D522,658 S * 6/2006 Schiavoni D24/194
- D565,738 S * 4/2008 Rohrig D24/194
- D584,823 S 1/2009 Conlon

(Continued)

OTHER PUBLICATIONS

“Baby Teething Tubes: Soft Silicone Teething Baby Toy”. Found online Sep. 15, 2020 at amazon.com. Reference dated Jun. 28, 2018. Retrieved from https://www.amazon.com/Baby-Teething-Tubes-Teethers-Toddlers/dp/B01N4OT8CJ/ref=cm_cr_arp_d_product_top?ie=UTF8.*

(Continued)

Primary Examiner — Kendra Leslie Hamilton
(74) *Attorney, Agent, or Firm* — Foley & Lardner LLP

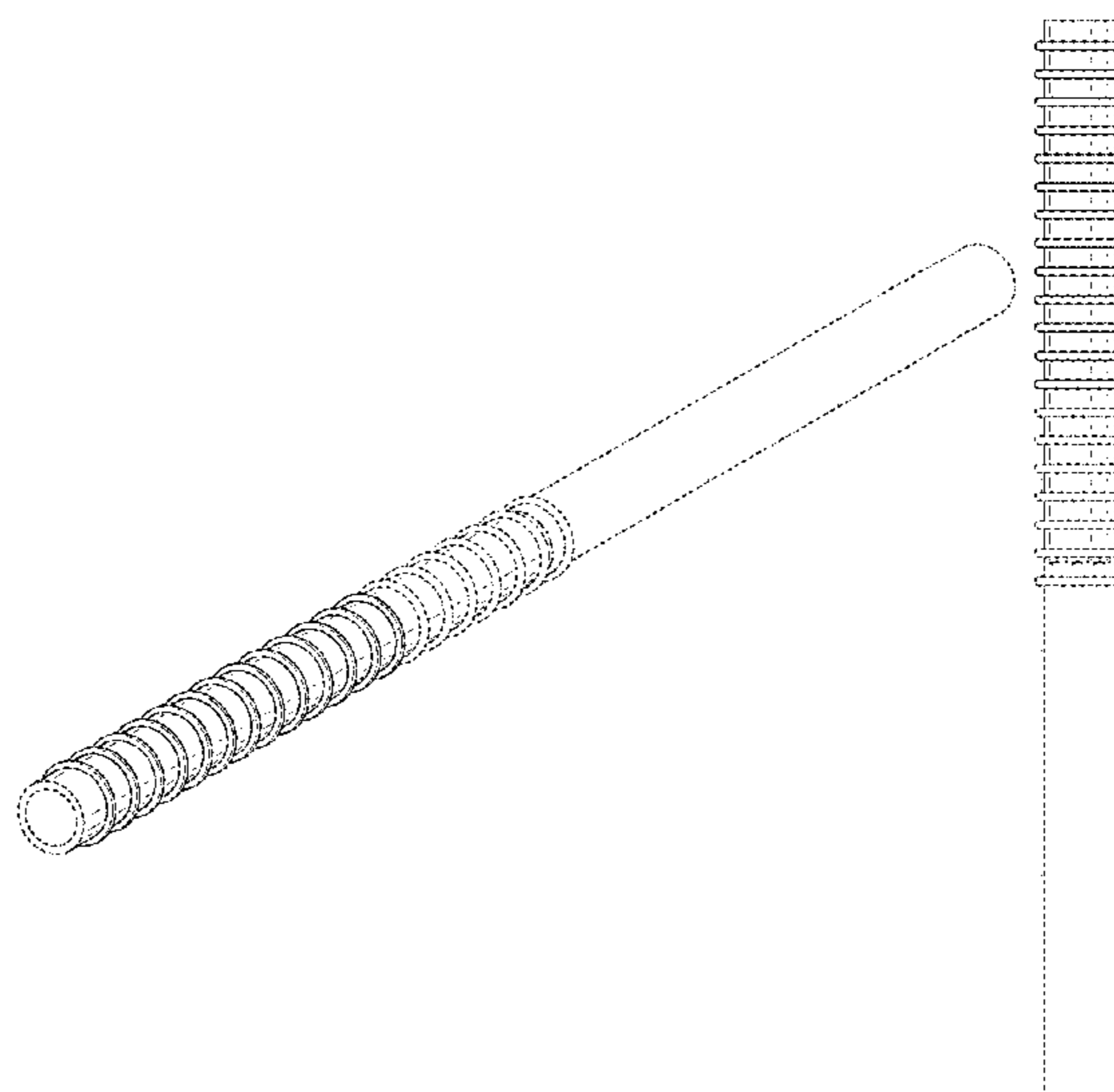
(57) **CLAIM**

I claim the ornamental design for a teething tube, as shown and described.

DESCRIPTION

FIG. 1 is a top, front, left perspective view of a teething tube, showing my new design;
FIG. 2 is a bottom, rear, right perspective view thereof;
FIG. 3 is a top plan view thereof;
FIG. 4 is a bottom plan view thereof; and,
FIG. 5 is a front elevation view thereof, wherein the rear, left, and right views thereof are identical to the front elevation view.
The equal-length broken lines in the drawings depict portions of the teething tube that form no part of the claimed design. The dash-dot-dash broken lines define the boundaries of the claimed design. All broken lines form no part of the claim.

1 Claim, 2 Drawing Sheets



(56)

References Cited

U.S. PATENT DOCUMENTS

D584,864 S 1/2009 Matthews
 8,021,391 B2 9/2011 Minoguchi et al.
 D655,057 S 2/2012 Blair
 D673,284 S * 12/2012 Lowsky D24/214
 D674,494 S 1/2013 Roehrig et al.
 D677,439 S 3/2013 Renforth
 D677,441 S 3/2013 Renforth
 D682,436 S 5/2013 Lowsky
 D692,569 S 10/2013 Samurin
 D697,274 S 1/2014 Thorne
 D712,050 S 8/2014 Blachford et al.
 D717,016 S 11/2014 Osenga
 D721,439 S 1/2015 Swartz
 D722,384 S * 2/2015 Kuneyl D24/194
 D724,235 S 3/2015 Kuneyl
 D733,813 S 7/2015 Schauenburg
 D742,532 S 11/2015 Parrott Segura
 9,308,463 B2 4/2016 Bartels
 D760,964 S 7/2016 Toolan
 9,463,133 B2 10/2016 Rodgers
 D797,947 S 9/2017 Schill
 D837,465 S 1/2019 Steinkraus
 D841,903 S 2/2019 Toolan
 D844,909 S * 4/2019 Crane D30/160
 10,405,521 B2 9/2019 Ng
 D861,890 S 10/2019 Lowsky et al.
 D862,806 S 10/2019 Liu
 D874,664 S 2/2020 Lowsky et al.
 D877,917 S 3/2020 Schill
 10,695,258 B1 6/2020 Johnson
 D889,067 S 7/2020 Chu
 D919,900 S * 5/2021 Jaeger D30/160
 2004/0215234 A1 10/2004 McCardell
 2005/0085749 A1 4/2005 Baerwalde et al.
 2006/0102099 A1 * 5/2006 Edwards A01K 15/026
 119/710
 2009/0069848 A1 * 3/2009 Marcus A61J 17/02
 606/235
 2009/0287247 A1 * 11/2009 Chipperson A61J 11/00
 606/235
 2014/0243895 A1 8/2014 Kellogg

OTHER PUBLICATIONS

“SinBlue: Hollow Teething Tube”. Found online Apr. 22, 2021 at amazon.co.uk. Reference dated Nov. 10, 2020. Retrieved from https://www.amazon.co.uk/SINBLUE-Hollow-Teething-Tube-Long/dp/B08N41BMY9/ref=sr_1_15?.*

“Canay: Sensory Chew Stick- X”. Found online May 11, 2021 at amazon.com. Reference dated Jul. 6, 2020. Retrieved from https://www.amazon.com/Sensory-Chew-Stick-Toys-Girls/dp/B089VVJGRR/ref=cm_cr_ar_p_d_product_top?ie=UTF8.*

“ARK: Tetra-Bite Chewy Fidget (Large)”. Found online May 10, 2021 at instagram.com. Reference dated Nov. 15, 2019. Retrieved from <https://www.instagram.com/p/B458108gr6e/>.*

“Allnice Chew Necklace”. Found online Sep. 15, 2020 at amazon.com. Reference dated Aug. 6, 2019. Retrieved from https://www.amazon.com/dp/B07VMDSJ9K/ref=sspa_dk_detail_2?psc=1&pd_rd_i=B07VMDSJ9K&pd_rd_w=eixn9&pf_rd_p=f0355a48-7e73-489a-959.

“Chew Noodle Blue”. Found online Nov. 17, 2016 at amazon.com. Page dated Mar. 27, 2012. Retrieved from https://www.amazon.com/Chewnoodle-Chew-Noodle-Blue/dp/B004IL8MES/ref=cm_cr_ar_p_d_product_top?ie=UTF8.

“Chew Stixx Multi Textured Multi Sensory Chewable Fidget”. Found online Nov. 17, 2016 at sensoryuniversity.com. Page dated Jan. 31, 2010. Retrieved from <https://web.archive.org/web/20100131134640/http://sensoryuniversity.com/product.sc?categoryId=1&productId=405>.

“Chubes—Chew Necklace”. Found online Sep. 15, 2020 at amazon.com. Reference dated Feb. 17, 2014. Retrieved from https://www.amazon.com/Chubes-Necklace-Sensory-Anxiety-Autism/dp/B00IHQP2AM/ref=sr_1_10?dchild=1&keywords=chewigem&qid=1600206002.

“Knobby Texture Chewy Tube Green”. Found online Nov. 17, 2016 at amazon.com. Page dated Oct. 18, 2008. Retrieved from https://www.amazon.com/Knobby-Texture-Chewy-Tube-Green/dp/B00175ROGU/ref=cm_cr_ar_p_d_product_top?ie=UTF8.

“Teething Products You Can’t Live Without”. Found on line Nov. 2, 2016 at sheknows.com. Page dated May 5, 2014. Retrieved from <http://www.sheknows.com/parenting/articles/1034585/teething-products-for-babies>.
 Chewnoodle, <http://site.chewnoodle.com/Home.html>, date accessed: Sep. 21, 2015, 1 page.

* cited by examiner

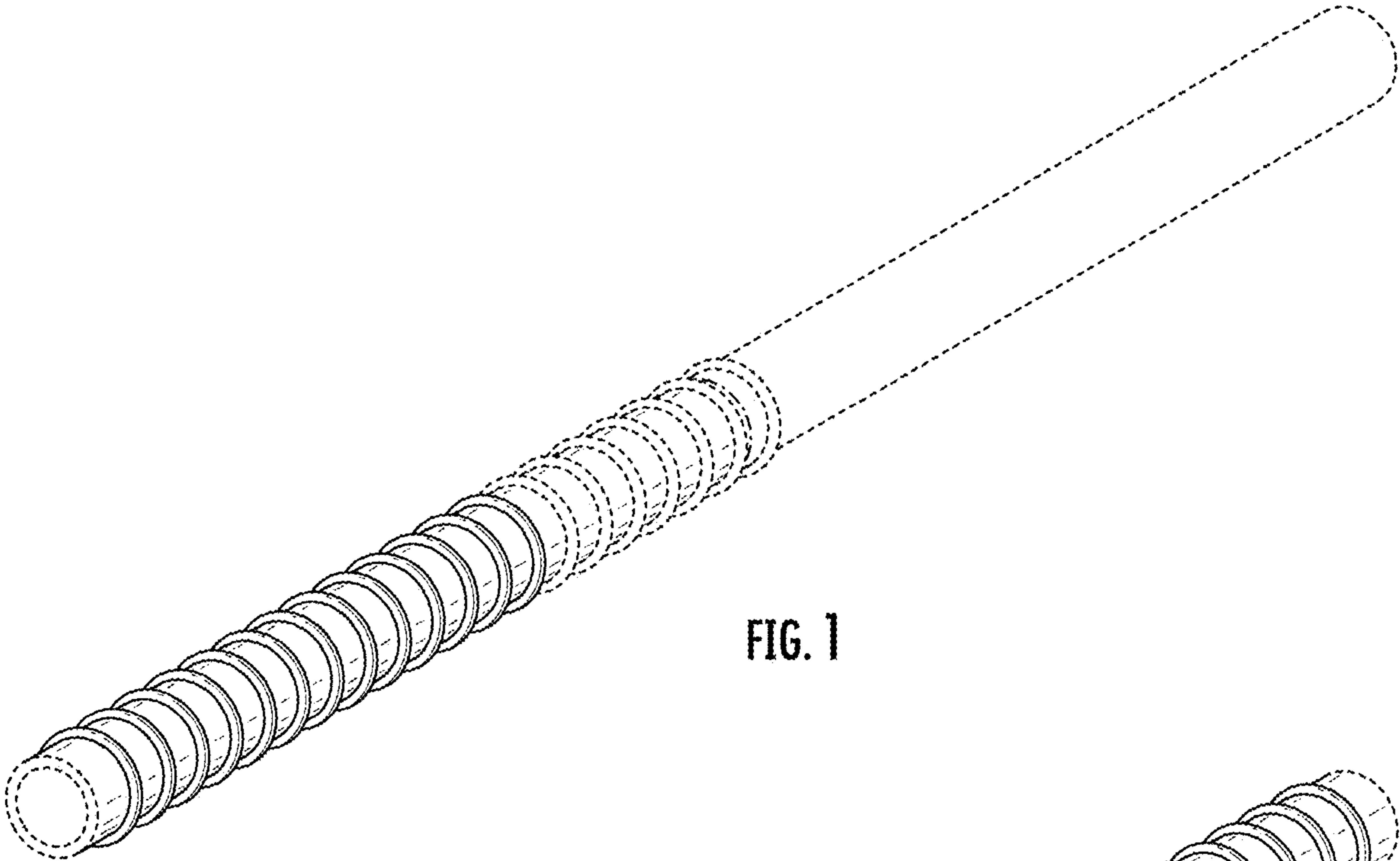


FIG. 1

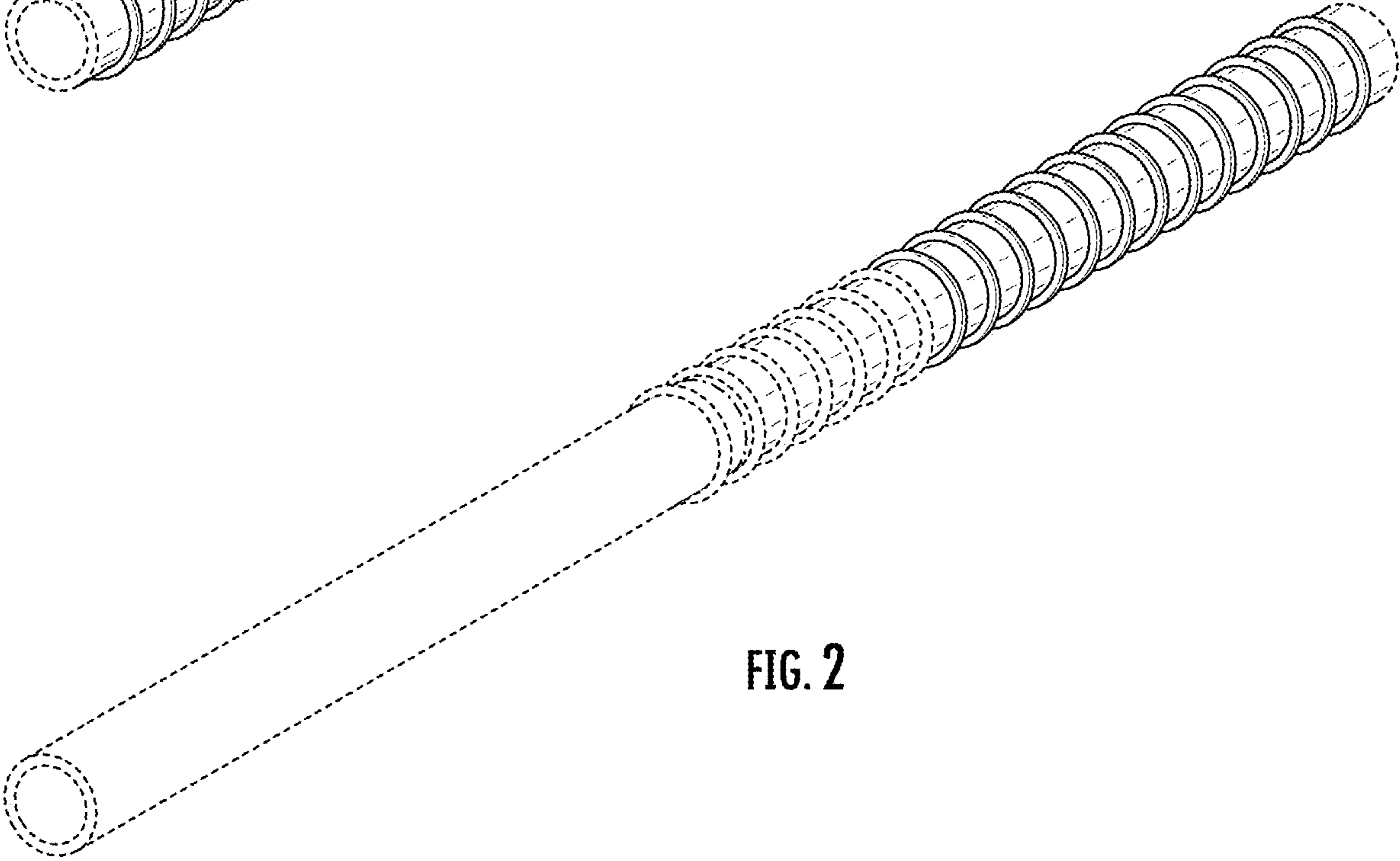


FIG. 2

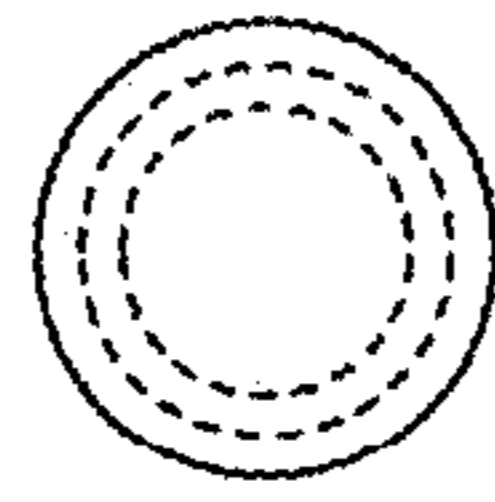


FIG. 3

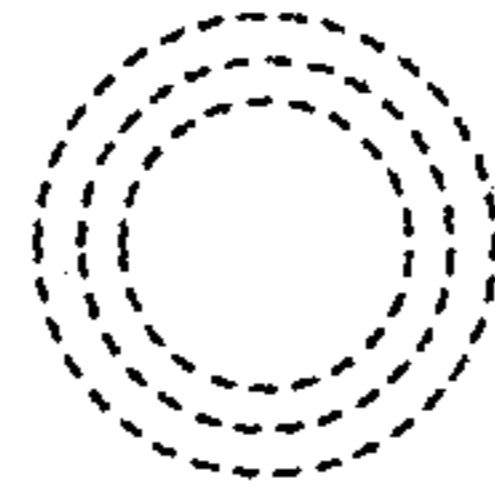


FIG. 4

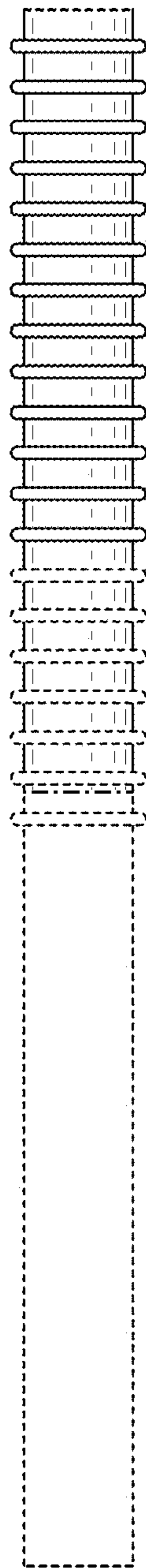


FIG. 5