



US00D958996S

(12) **United States Design Patent**
Qin et al.

(10) **Patent No.:** **US D958,996 S**
(45) **Date of Patent:** **** Jul. 26, 2022**

(54) **DENTAL SCALER**

(71) Applicant: **Nanchang Dentalbright Technology Co., Ltd, Nanchang (CN)**

(72) Inventors: **Junyuan Qin, Nanchang (CN); Yuanda Xiong, Nanchang (CN)**

(**) Term: **15 Years**

(21) Appl. No.: **29/756,905**

(22) Filed: **Oct. 30, 2020**

(51) **LOC (13) Cl.** **24-02**

(52) **U.S. Cl.**
USPC **D24/181; D24/176**

(58) **Field of Classification Search**
USPC D24/176, 178, 180–182, 147; D29/108
CPC A61C 17/16; A61C 19/06; A61C 19/063;
A61C 19/066; A61N 5/0603; A61N
5/0613

See application file for complete search history.

(56) **References Cited**

U.S. PATENT DOCUMENTS

D433,137 S *	10/2000	Pollock	D24/176
D434,500 S *	11/2000	Pollock	D24/176
D864,399 S *	10/2019	Qin	D24/176
D899,600 S *	10/2020	Li	D24/176
D908,890 S *	1/2021	Demarest	D24/176
10,918,470 B1 *	2/2021	Levine	A61N 5/0613

D939,091 S *	12/2021	Pai	D24/181
D940,328 S *	1/2022	Demarest	D24/181
2020/0114166 A1 *	4/2020	Bloch	A61C 19/066
2020/0114168 A1 *	4/2020	Bloch	A61N 5/0603
2020/0114169 A1 *	4/2020	Bloch	A61C 19/066

* cited by examiner

Primary Examiner — Wan Laymon

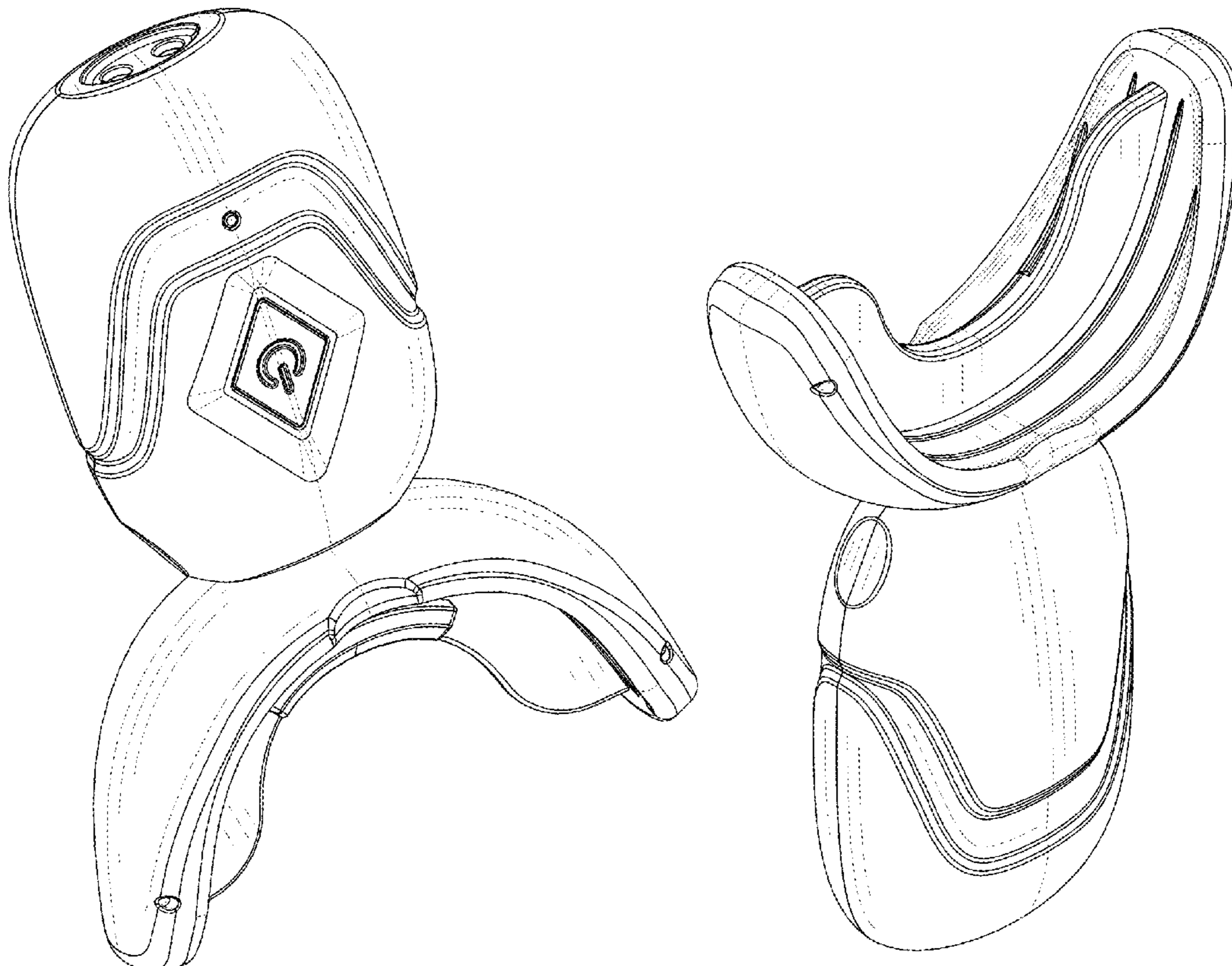
(57) **CLAIM**

The ornamental design for a dental scaler, as shown and described.

DESCRIPTION

FIG. 1 is a perspective view of a dental scaler showing our new design;
 FIG. 2 is another perspective view of a dental scaler showing our new design;
 FIG. 3 is a front elevation view thereof;
 FIG. 4 is a rear elevation view thereof;
 FIG. 5 is a left side view thereof;
 FIG. 6 is a right side view thereof;
 FIG. 7 is a top plan view thereof; and,
 FIG. 8 is a bottom plan view thereof.
 The broken lines in the figures depict portions of the dental scaler that form no part of the claimed design.

1 Claim, 7 Drawing Sheets



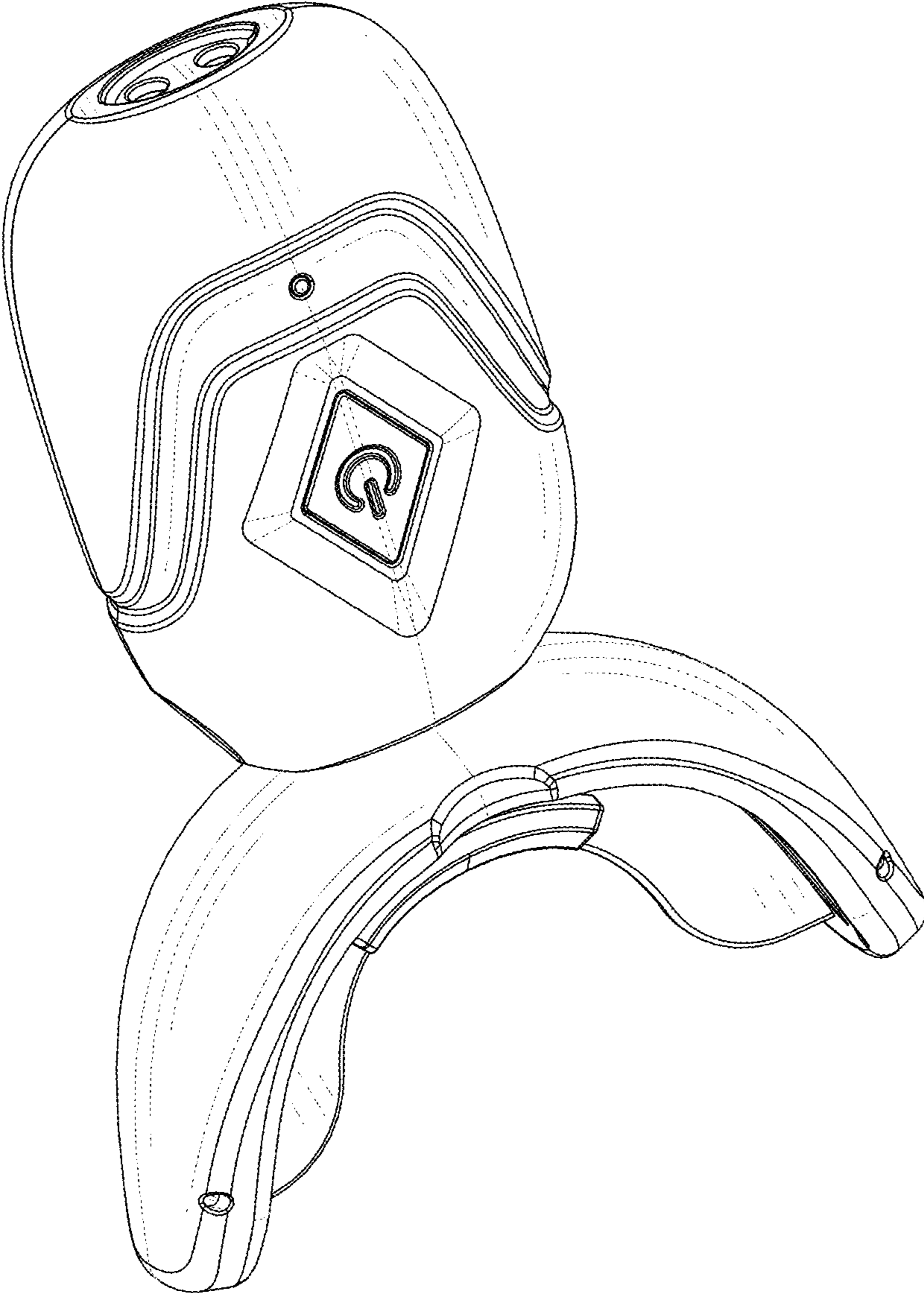


FIG. 1

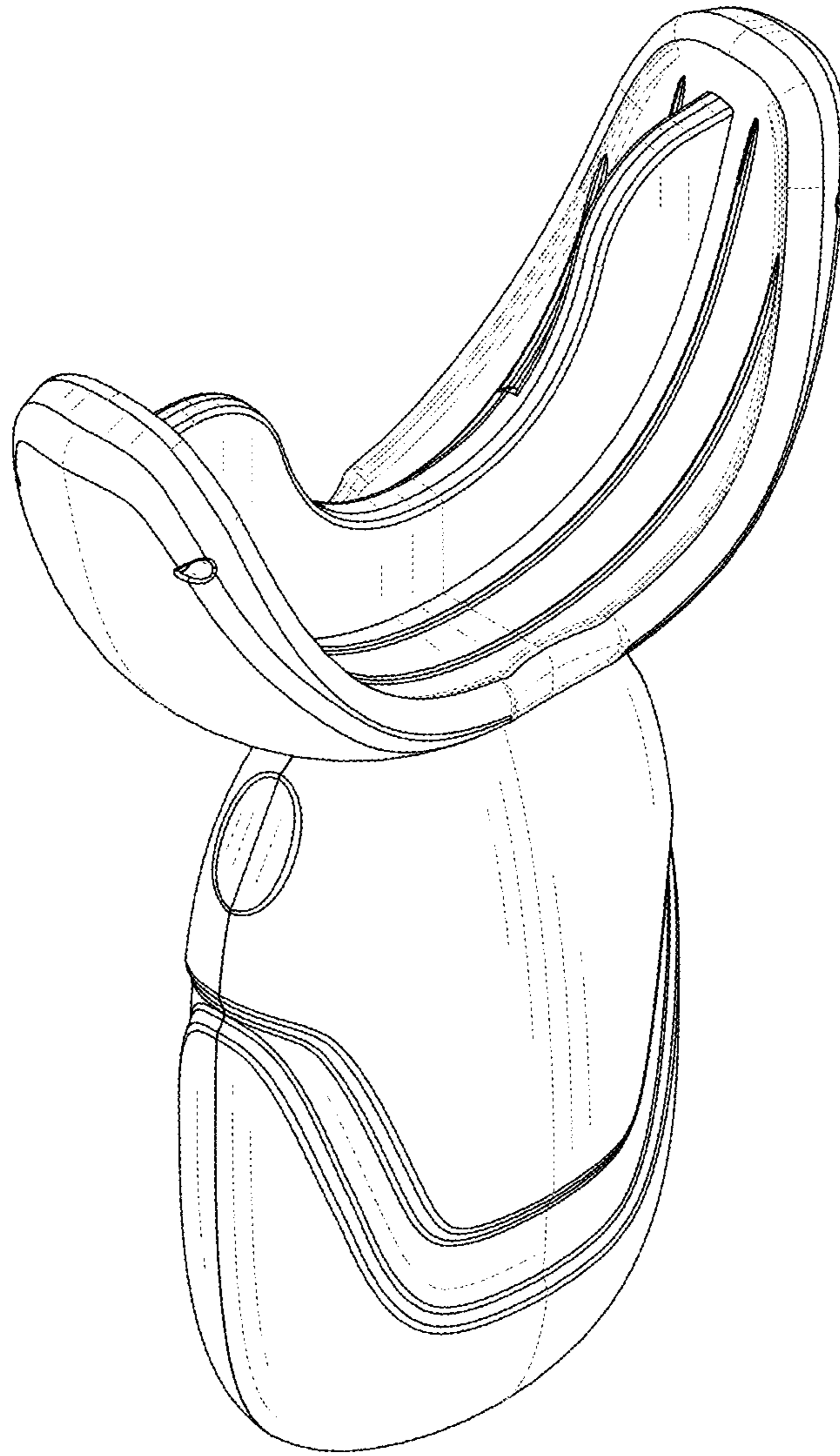


FIG. 2

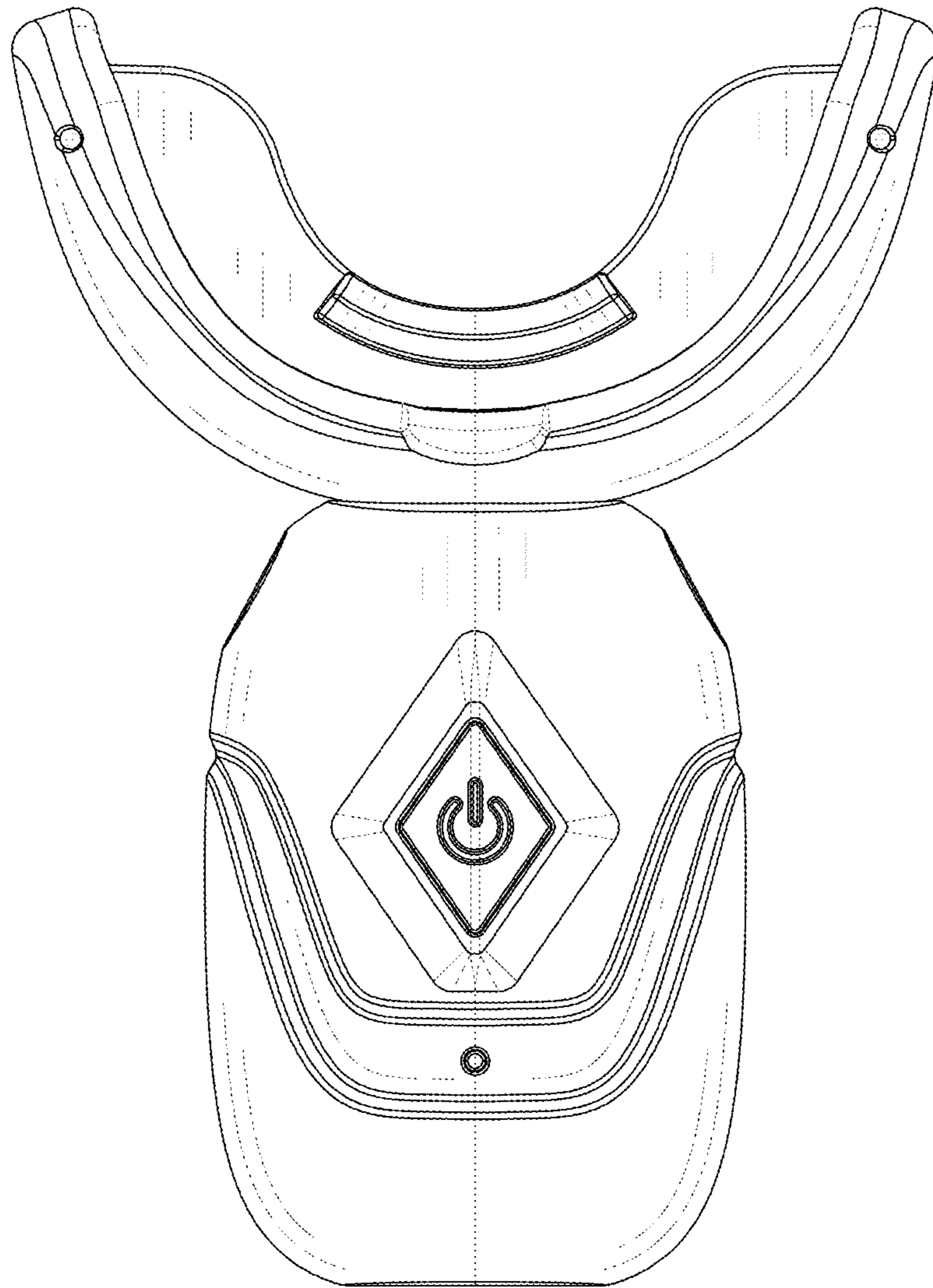


FIG. 3

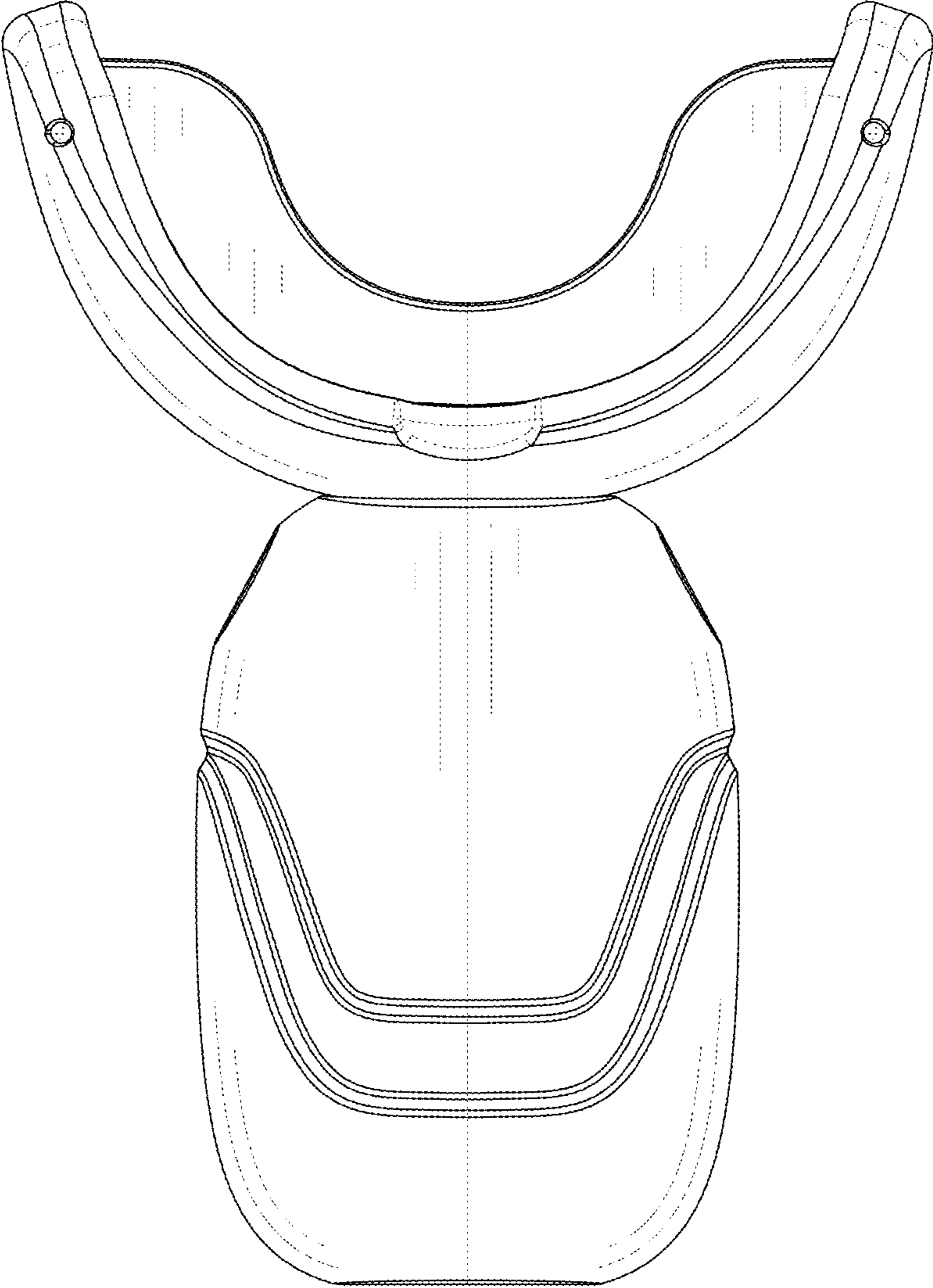


FIG. 4

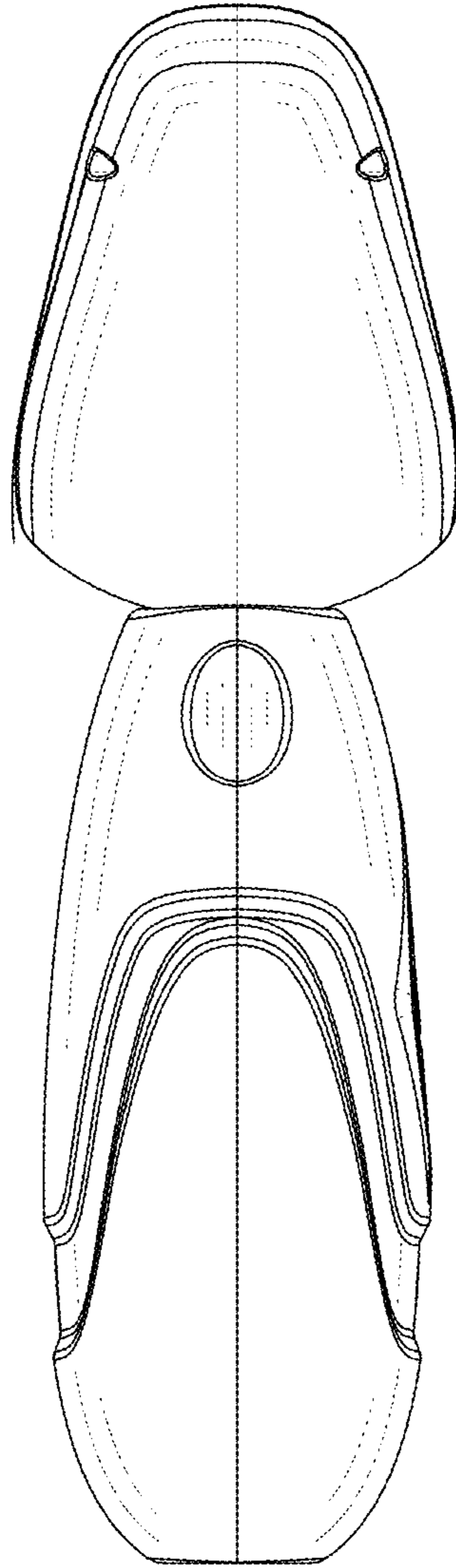


FIG. 5

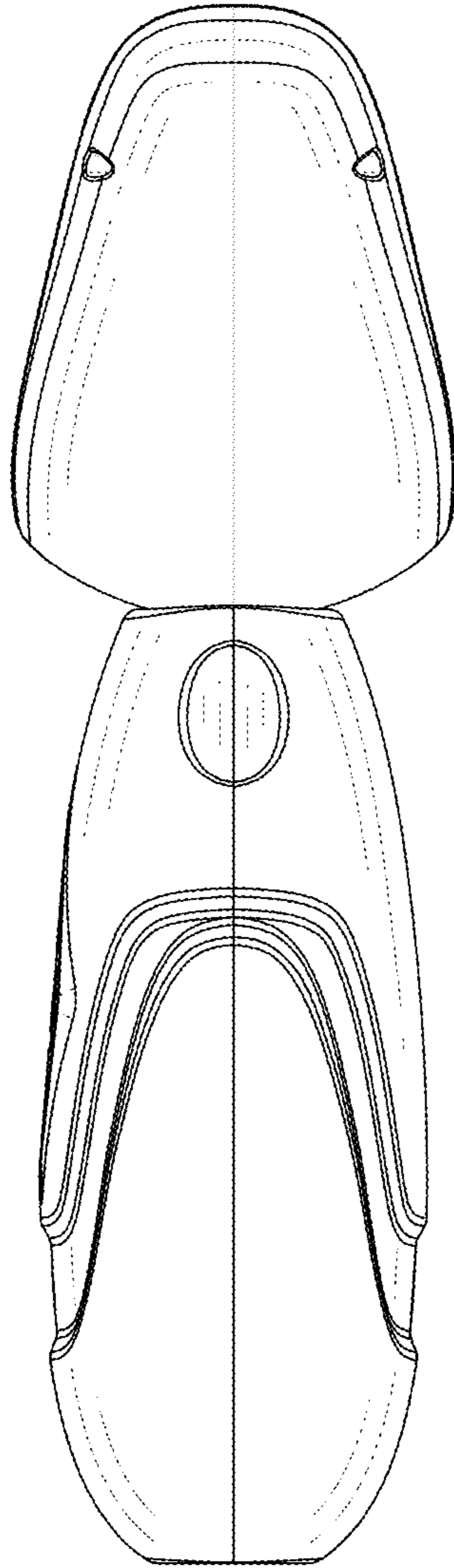


FIG. 6

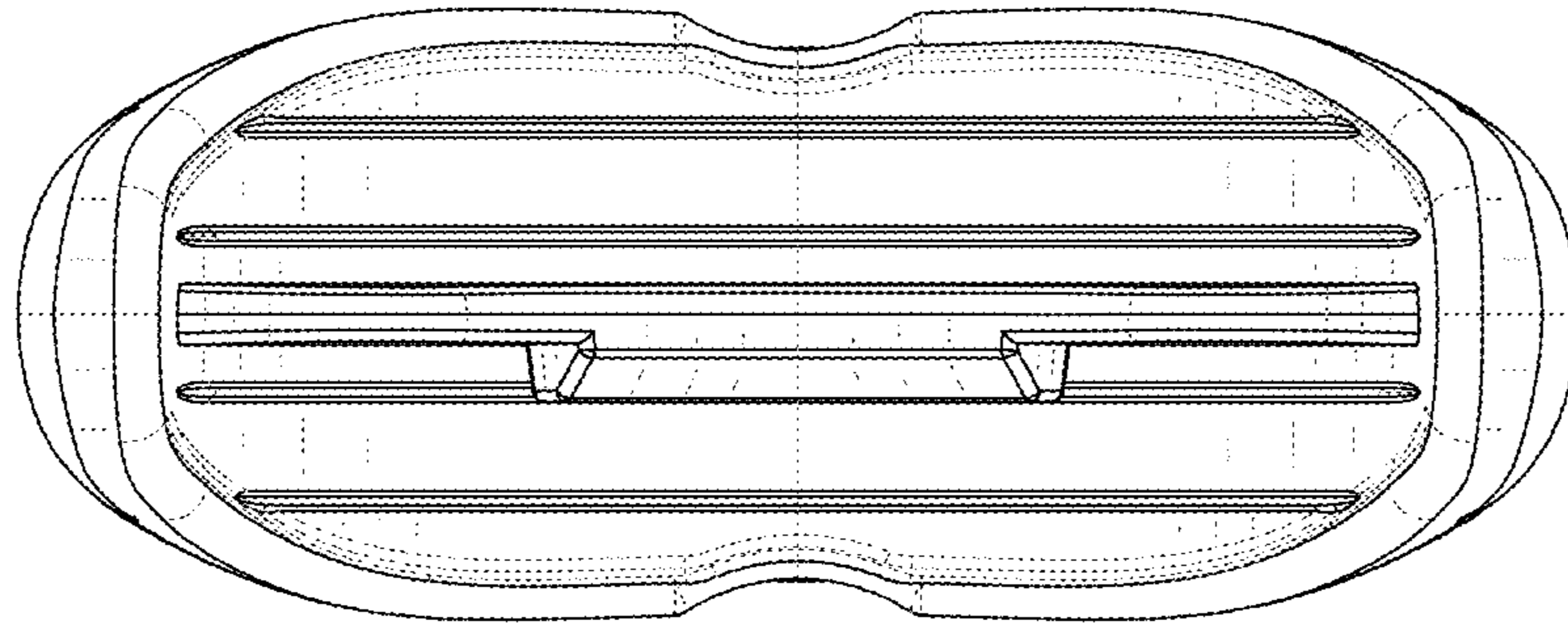


FIG. 7

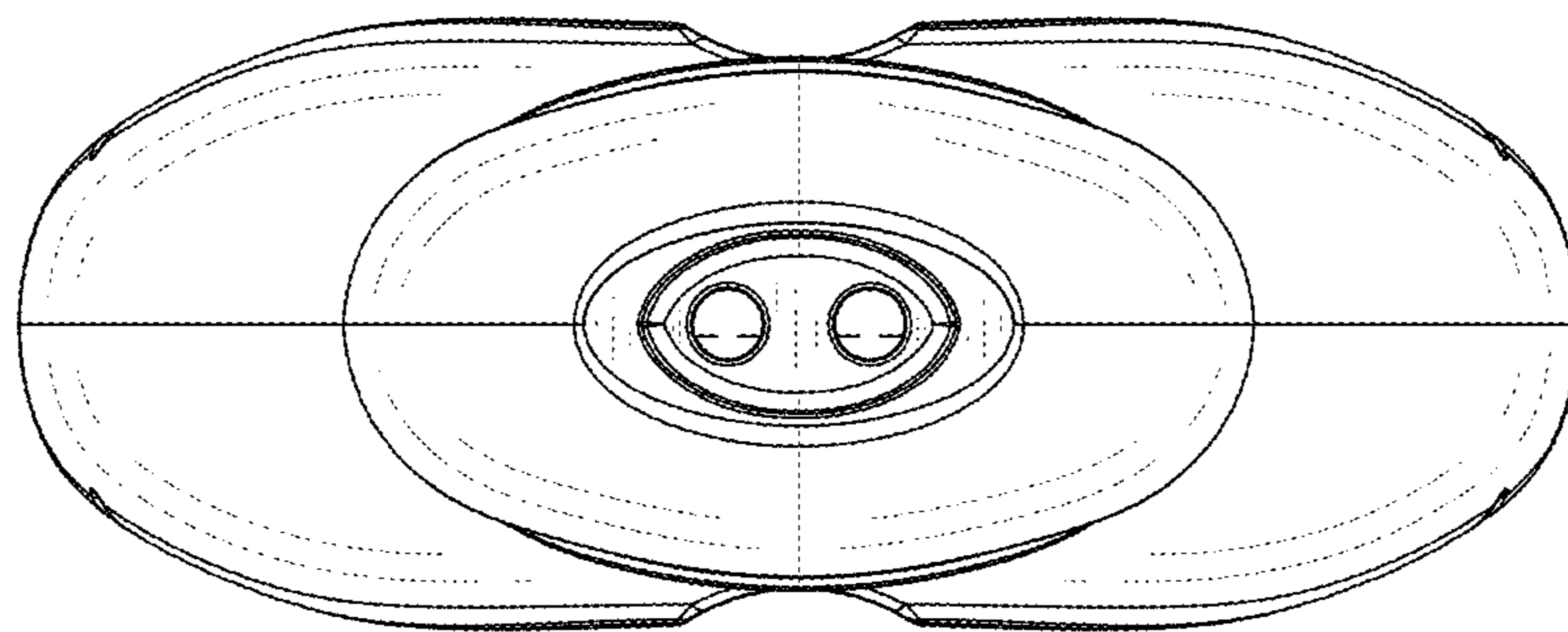


FIG. 8