



US00D958994S

(12) **United States Design Patent**
Welsh

(10) **Patent No.:** **US D958,994 S**

(45) **Date of Patent:** **** Jul. 26, 2022**

(54) **MOUTHPIECE**

(71) Applicant: **James John Welsh**, Midlothian, VA
(US)

(72) Inventor: **James John Welsh**, Midlothian, VA
(US)

(**) Term: **15 Years**

(21) Appl. No.: **29/652,604**

(22) Filed: **Sep. 30, 2020**

(51) **LOC (13) Cl.** **24-04**

(52) **U.S. Cl.**
USPC **D24/180**

(58) **Field of Classification Search**
USPC D24/176-177, 180-181
CPC A61F 5/566; A61F 5/56; A61F 2005/563
See application file for complete search history.

(56) **References Cited**

U.S. PATENT DOCUMENTS

5,313,960	A *	5/1994	Tomasi	A61F 5/566	128/862
5,988,170	A *	11/1999	Thomas	A61F 5/566	128/860
D550,846	S *	9/2007	Sawford	D24/180	
10,772,757	B1 *	9/2020	Harris	A61F 5/56	
D944,993	S *	3/2022	Nimmer	D24/180	
2005/0092331	A1 *	5/2005	D'Agosto	A61F 5/566	128/206.29

2009/0217931	A1 *	9/2009	Davies	A61F 5/566	128/860
2014/0000632	A1 *	1/2014	Chen	A61F 5/56	128/848
2020/0345535	A1 *	11/2020	Selukoff	A61F 5/566	
2021/0008409	A1 *	1/2021	Naylor	A63B 21/028	

* cited by examiner

Primary Examiner — Wan Laymon
(74) *Attorney, Agent, or Firm* — Dunlap Bennett & Ludwig, PLLC; Anna L. Kinney

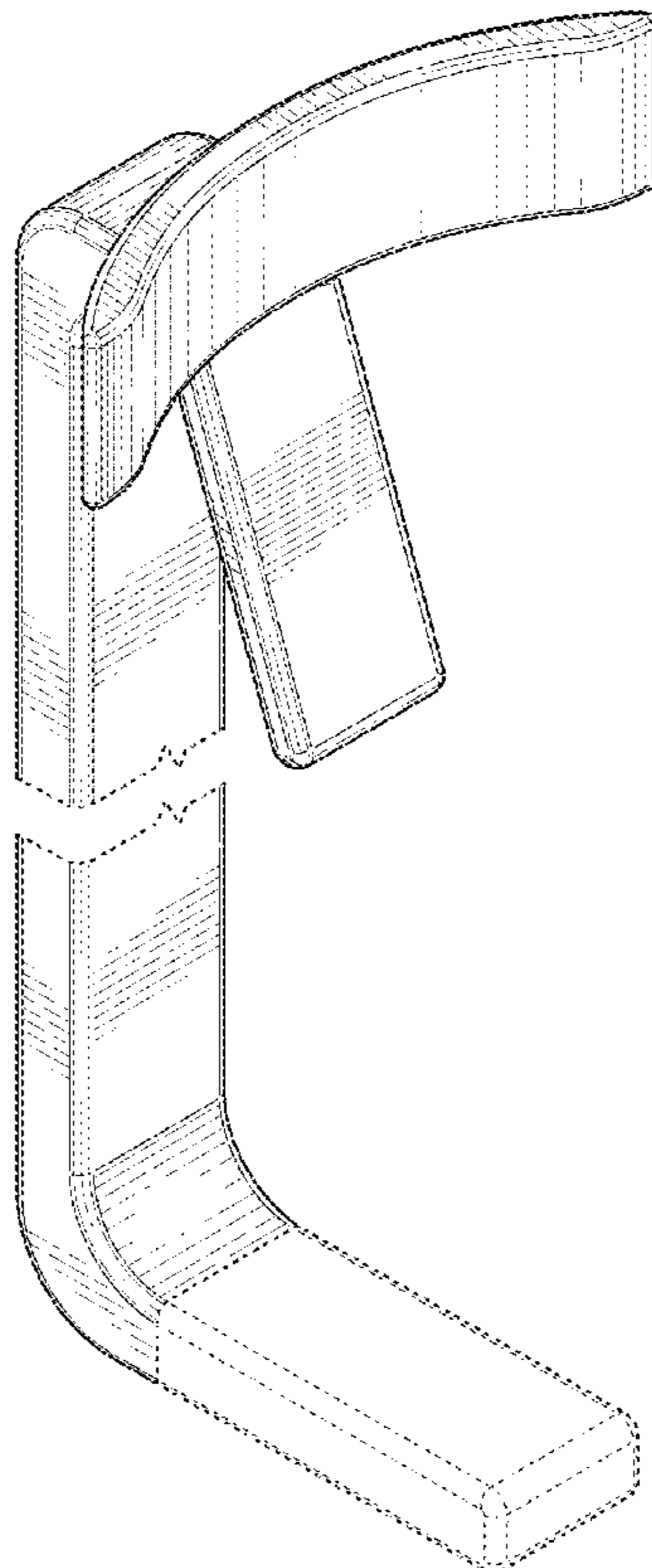
(57) **CLAIM**

The ornamental design for a mouthpiece, as shown and described.

DESCRIPTION

FIG. 1 is a perspective view of a mouthpiece showing my new design;
FIG. 2 is a left side elevation view thereof;
FIG. 3 is a right side elevation view thereof;
FIG. 4 is a front elevation view thereof;
FIG. 5 is a rear elevation view thereof;
FIG. 6 is a top plan view thereof; and,
FIG. 7 is a bottom plan view thereof.
The broken lines shown in the drawings depict environmental structure that forms no part of the claimed invention. The appearance of any portion of the article between the break lines forms no part of the claimed design.

1 Claim, 4 Drawing Sheets



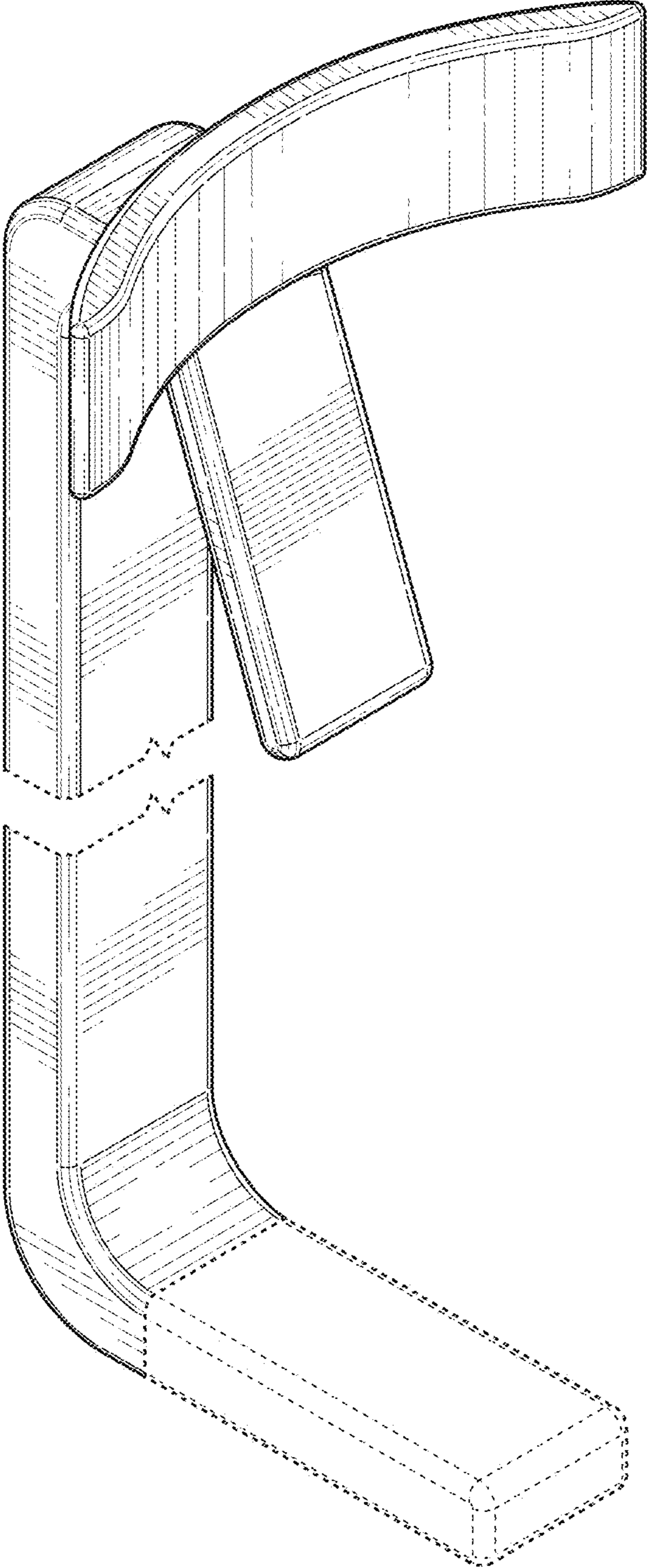


FIG. 1

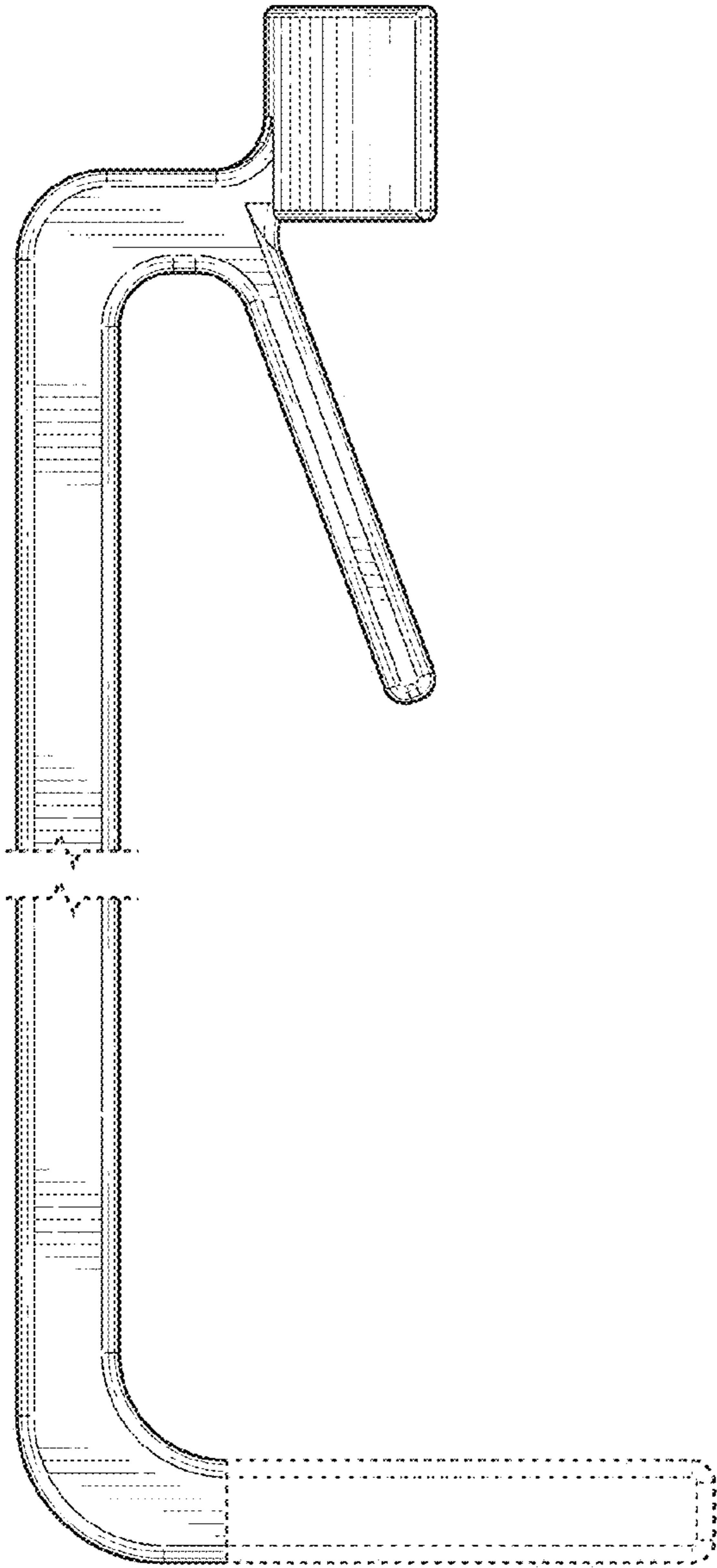


FIG. 2

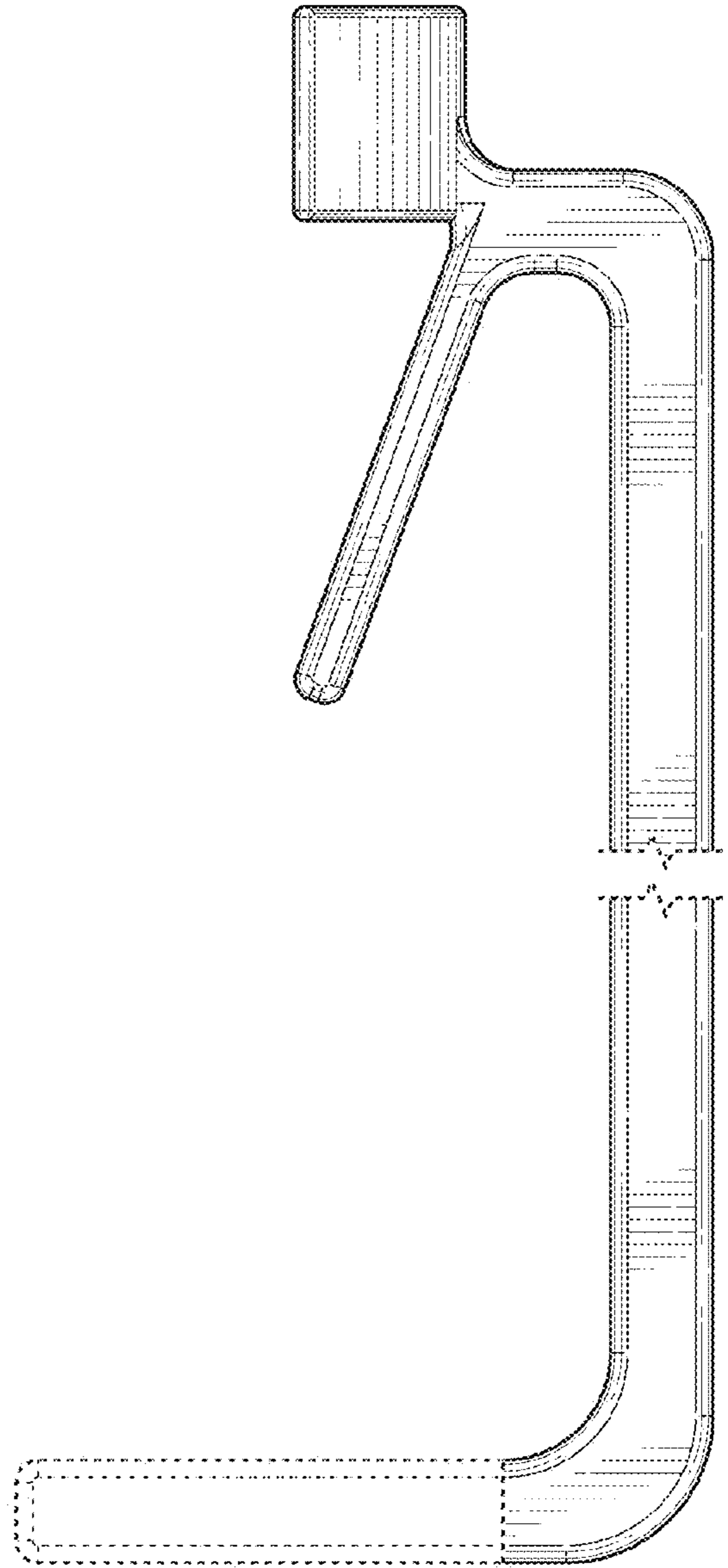


FIG. 3

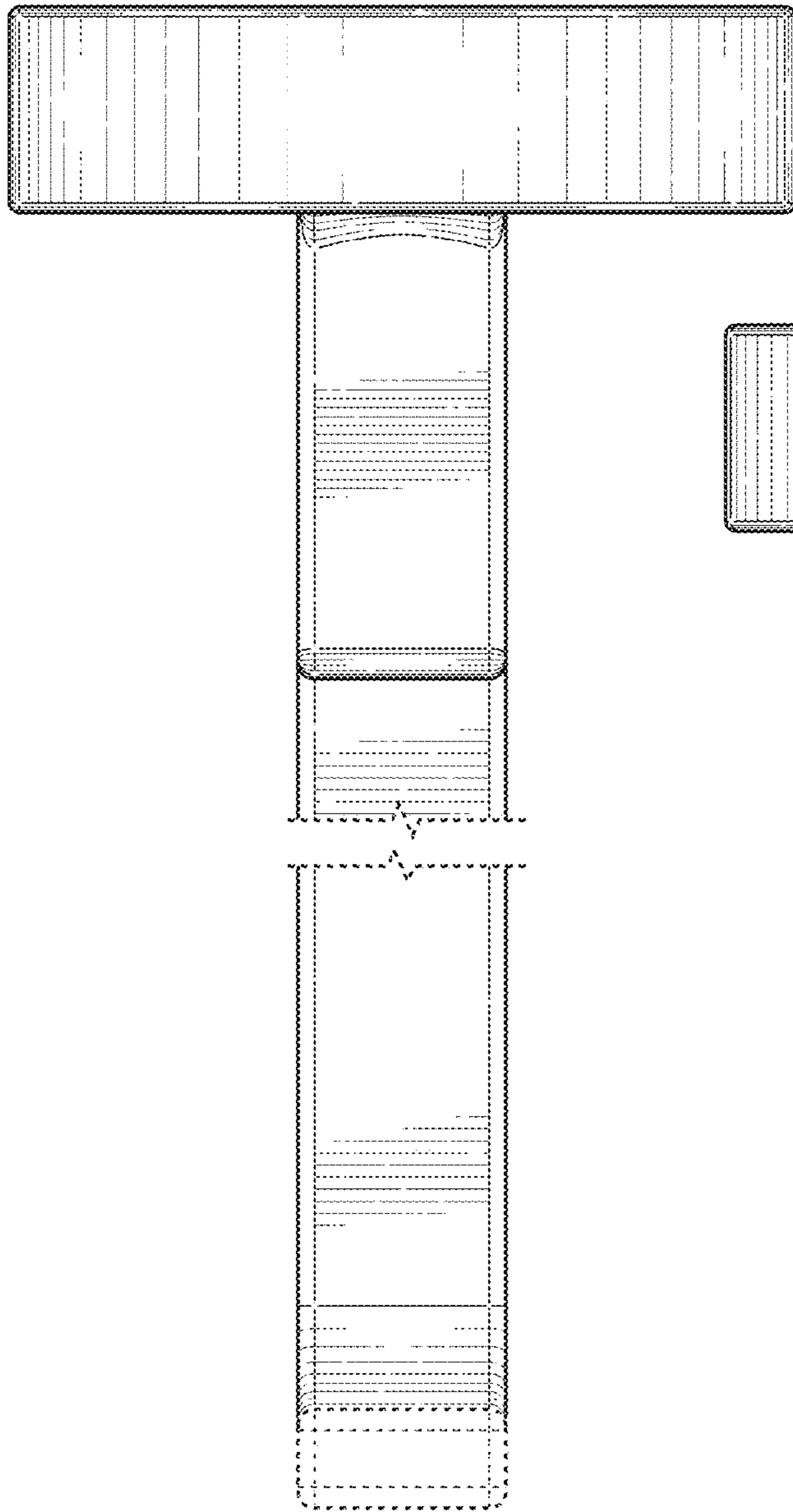


FIG. 4

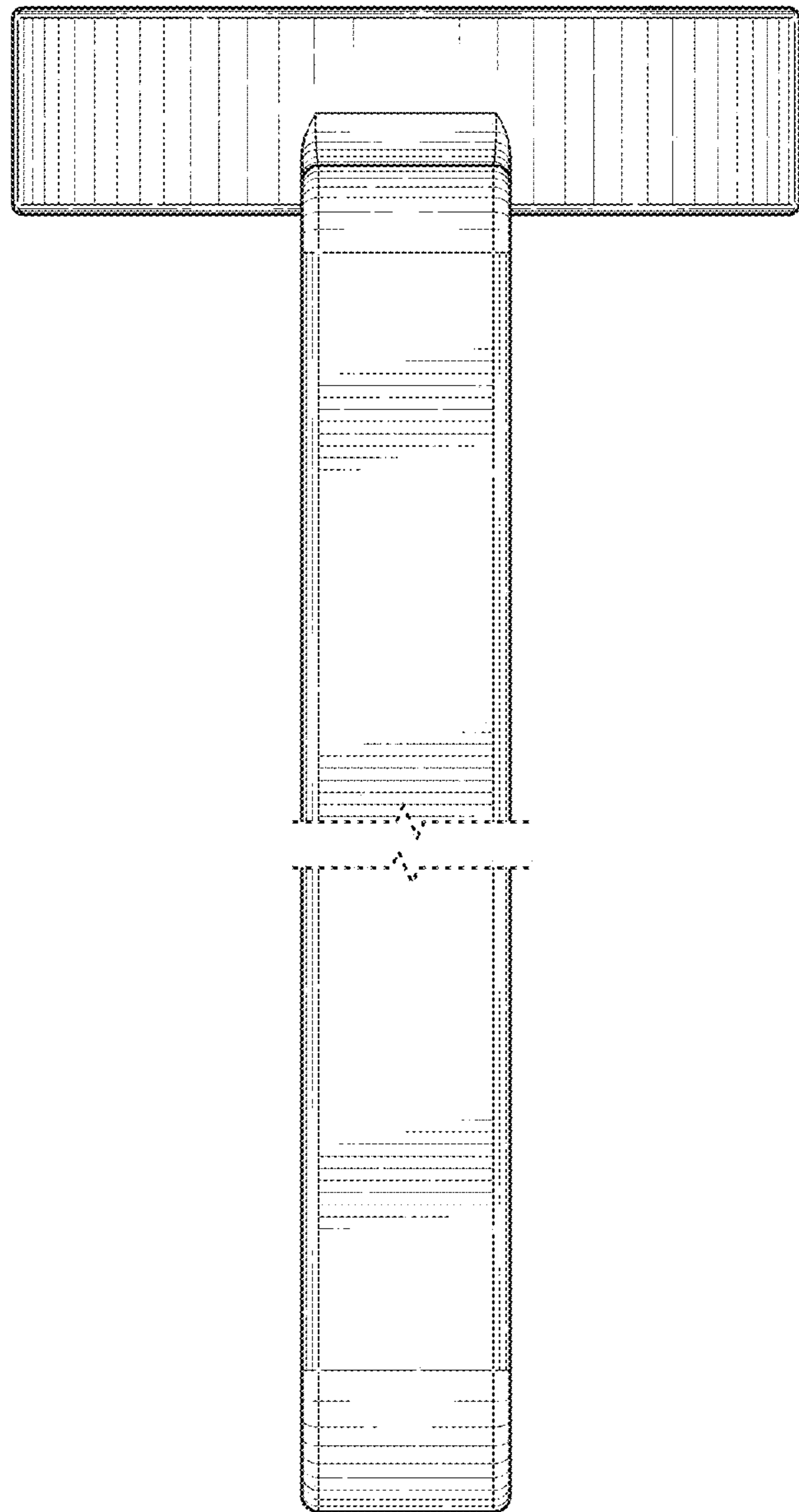


FIG. 5

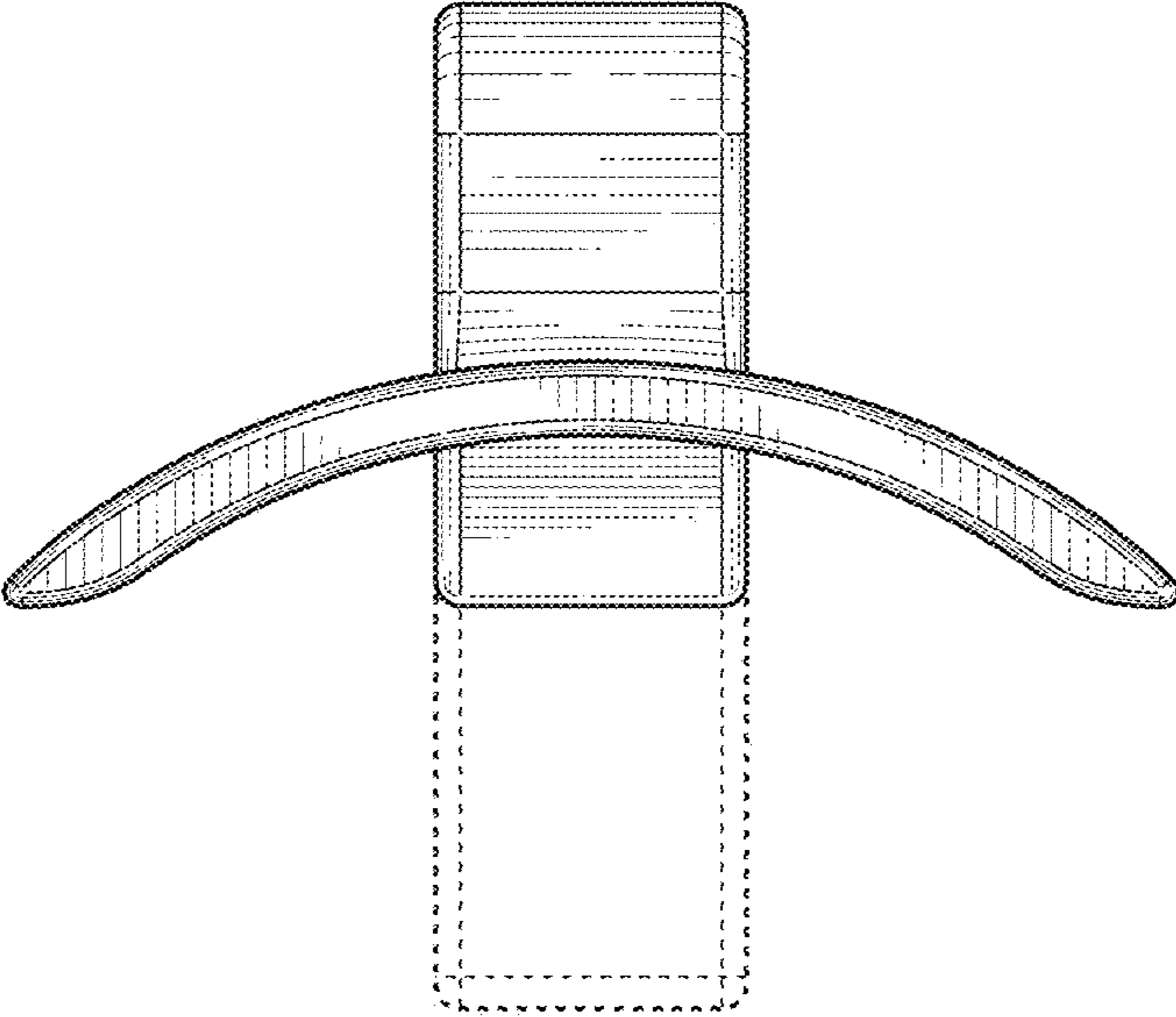


FIG. 6

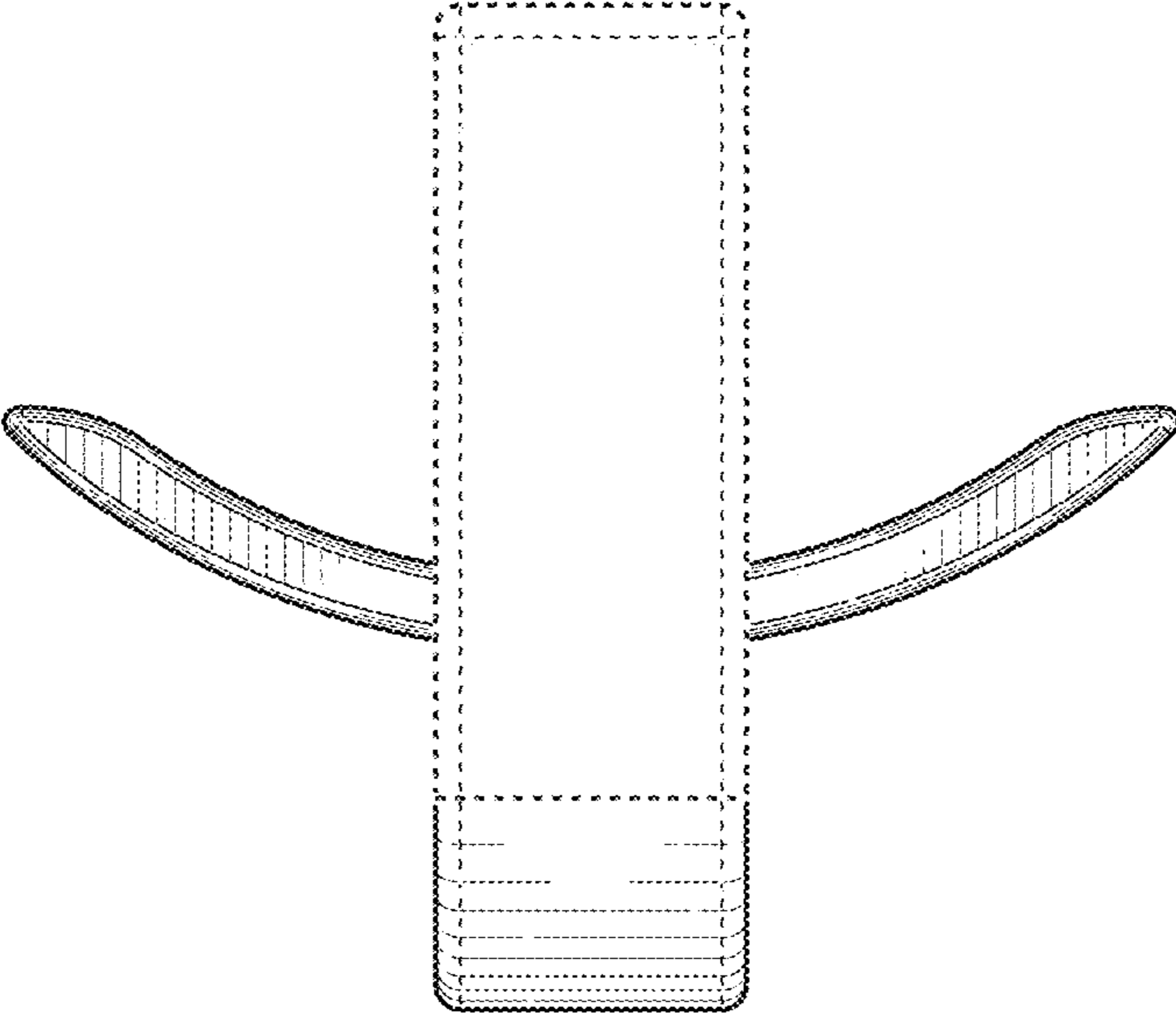


FIG. 7