



US00D958993S

(12) **United States Design Patent** (10) **Patent No.:** **US D958,993 S**
Rizzo et al. (45) **Date of Patent:** **** Jul. 26, 2022**

- (54) **COMPRESSION DEVICE**
- (71) Applicant: **Recovery Force, LLC**, Fishers, IN (US)
- (72) Inventors: **Vincent Rizzo**, Westfield, IN (US); **Jeffrey Schwegman**, Indianapolis, IN (US); **Jason M. Bobay**, Fishers, IN (US); **Matthew Wyatt**, Fishers, IN (US)
- (73) Assignee: **Recovery Force, LLC**, Fishers, IN (US)
- (**) Term: **15 Years**
- (21) Appl. No.: **29/652,825**
- (22) Filed: **Dec. 10, 2020**
- (51) **LOC (13) Cl.** **24-01**
- (52) **U.S. Cl.**
USPC **D24/169**; D24/143
- (58) **Field of Classification Search**
USPC D24/143, 169, 164, 165, 167, 168, 188, D24/190, 200; D11/218; D8/383, 394
CPC A61H 2209/00; A61H 2201/165; A61H 2201/1602; A61H 2201/5005; A61H 2201/5053; A61H 2201/5056; A61H 2011/005; A61B 17/1327; A61B 17/1325; A61B 17/1355; A61B 2017/12004
See application file for complete search history.

- D693,009 S * 11/2013 Green D24/188
- D705,429 S * 5/2014 Cheney D24/189
- D706,939 S * 6/2014 Weaver, II D24/190
- D713,049 S * 9/2014 Shah D24/200
- D733,305 S * 6/2015 Miyashita D24/169
- D823,466 S * 7/2018 Marogil D24/169
- D904,619 S * 12/2020 Spyropoulos D24/169
- D919,815 S * 5/2021 Ohashi D24/169
- 11,179,291 B2 * 11/2021 Rizzo A61H 11/02

(Continued)

Primary Examiner — Anhdao Doan
(74) *Attorney, Agent, or Firm* — Maginot Moore & Beck LLP

(57) **CLAIM**

The ornamental design for a compression device, as shown and described.

DESCRIPTION

FIG. 1 is a left perspective view of a design for a compression device supported on a band shown in phantom.

FIG. 2 is a left perspective view of the design shown in FIG. 1.

FIG. 3 is a front elevational view of the design shown in FIG. 1.

FIG. 4 is a rear elevational view of the design shown in FIG. 1.

FIG. 5 is a right side elevational view of the design shown in FIG. 1.

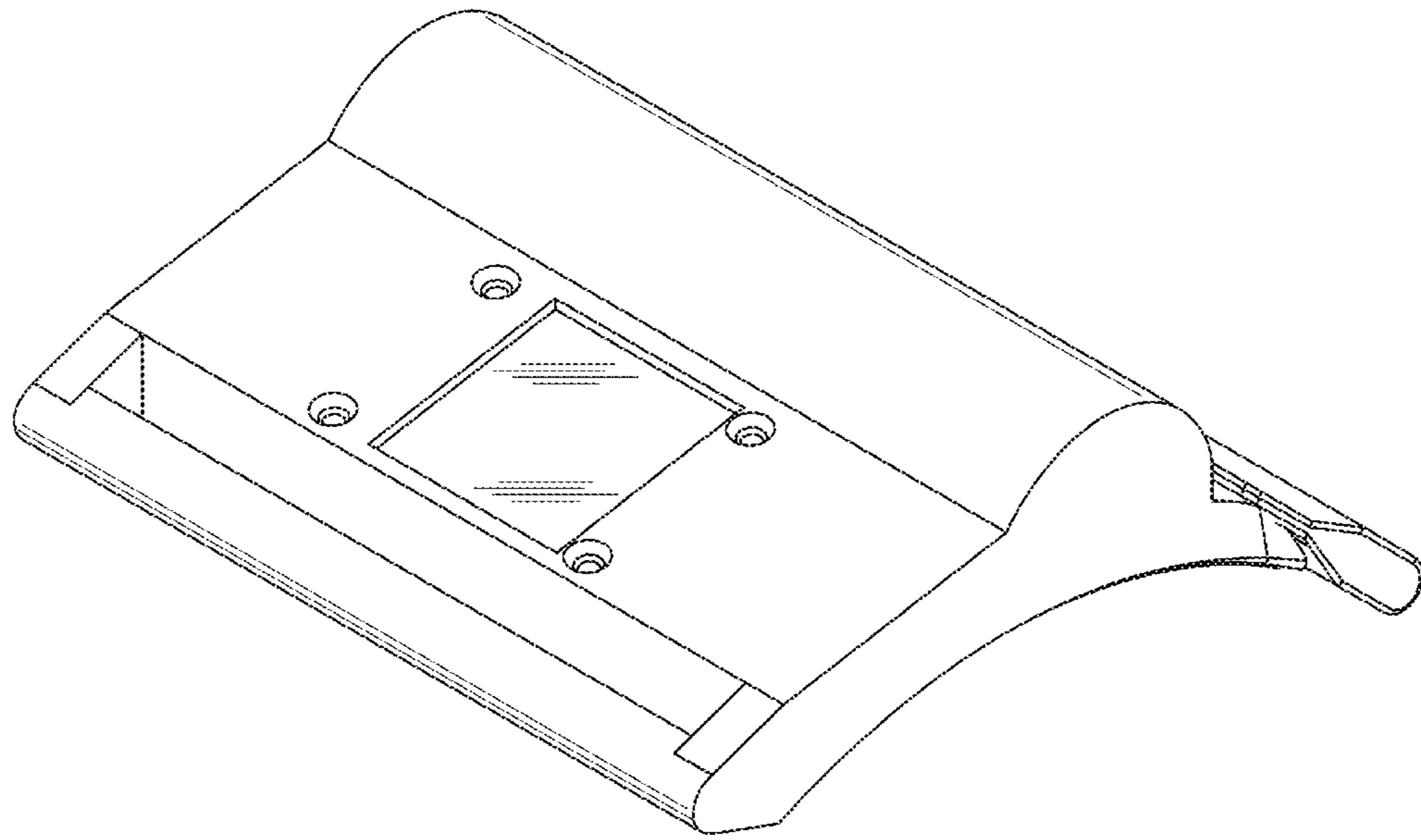
FIG. 6 is a left side elevational view of the design shown in FIG. 1.

FIG. 7 is a top plan view of the design shown in FIG. 1; and, FIG. 8 is a bottom plan view of the design shown in FIG. 1.

The broken lines in FIG. 1 represent environment structure and form no part of the claimed design. The broken lines in FIGS. 3, 5 and 8 depict portions of the compression device that form no part of the claimed design.

1 Claim, 8 Drawing Sheets

- (56) **References Cited**
U.S. PATENT DOCUMENTS
3,910,280 A * 10/1975 Talonn A61B 17/12009
24/130
D272,186 S * 1/1984 Peck D24/143
D390,810 S * 2/1998 Quick D13/153
6,217,601 B1 * 4/2001 Chao A61B 17/1327
606/203



(56)

References Cited

U.S. PATENT DOCUMENTS

D938,593 S * 12/2021 Parsons D24/169
2007/0239092 A1* 10/2007 Ross A61H 39/04
602/26
2019/0314035 A1* 10/2019 Hopkinson A61B 17/135

* cited by examiner

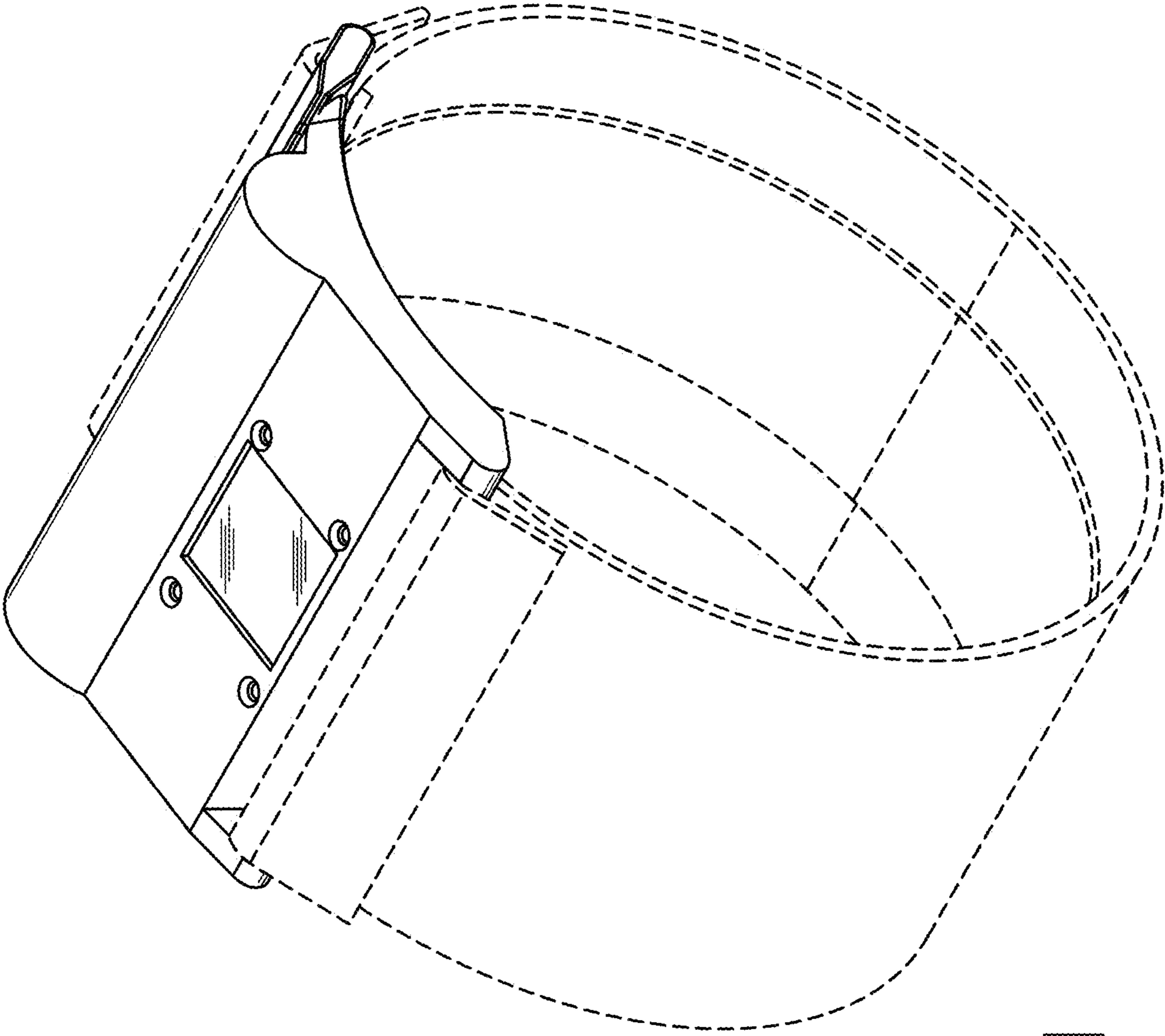


FIG. 1

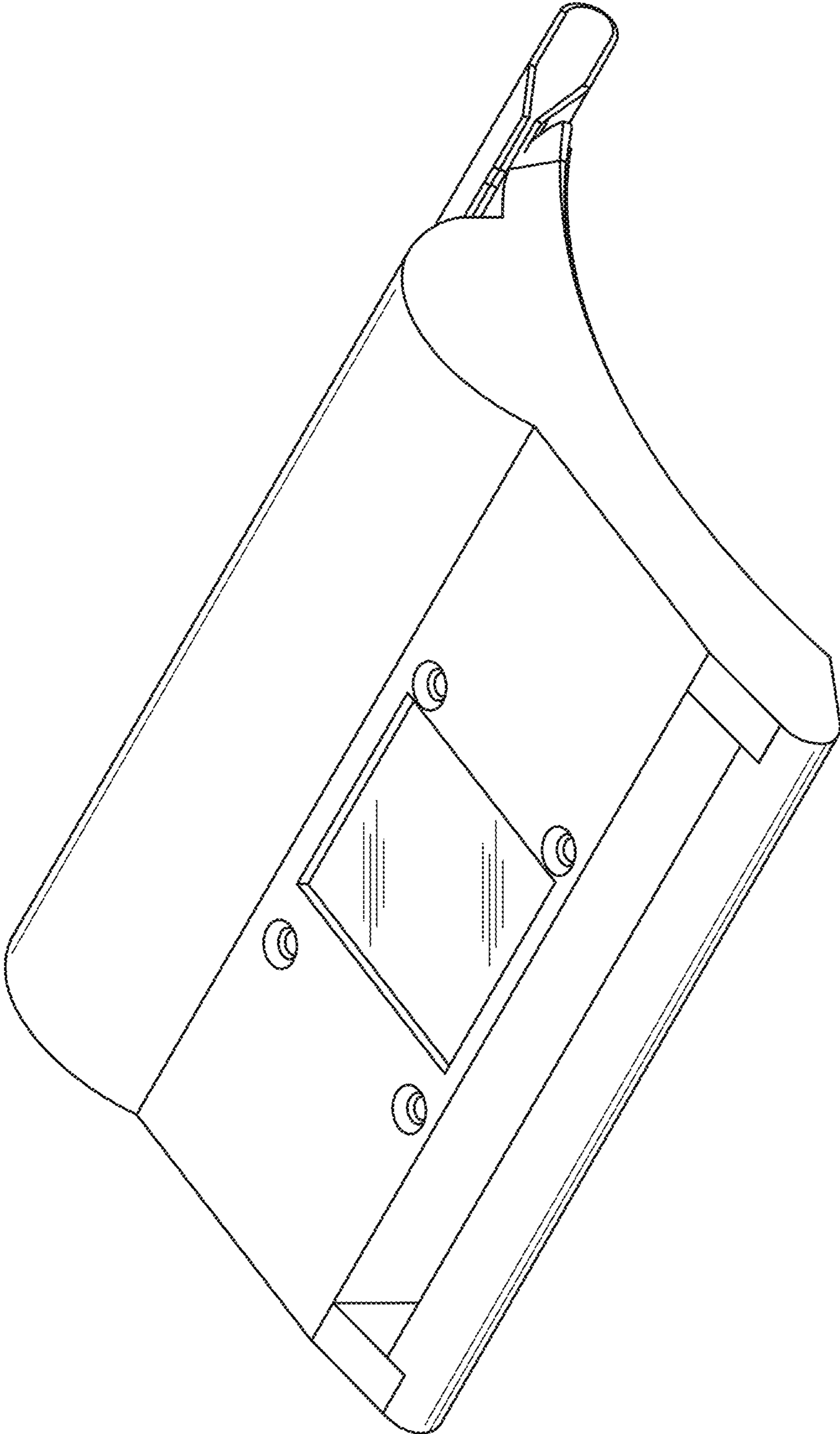


FIG. 2

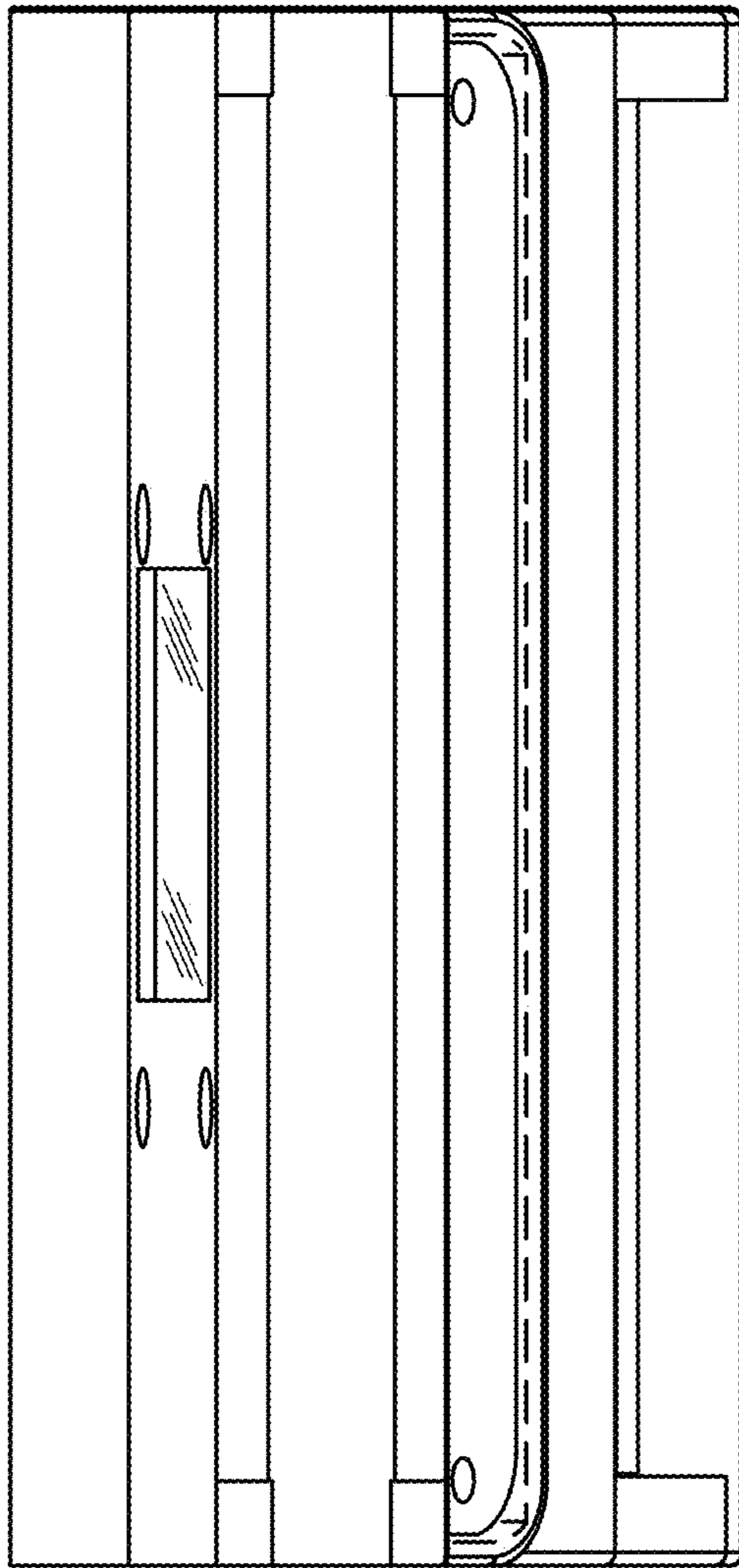


FIG. 3

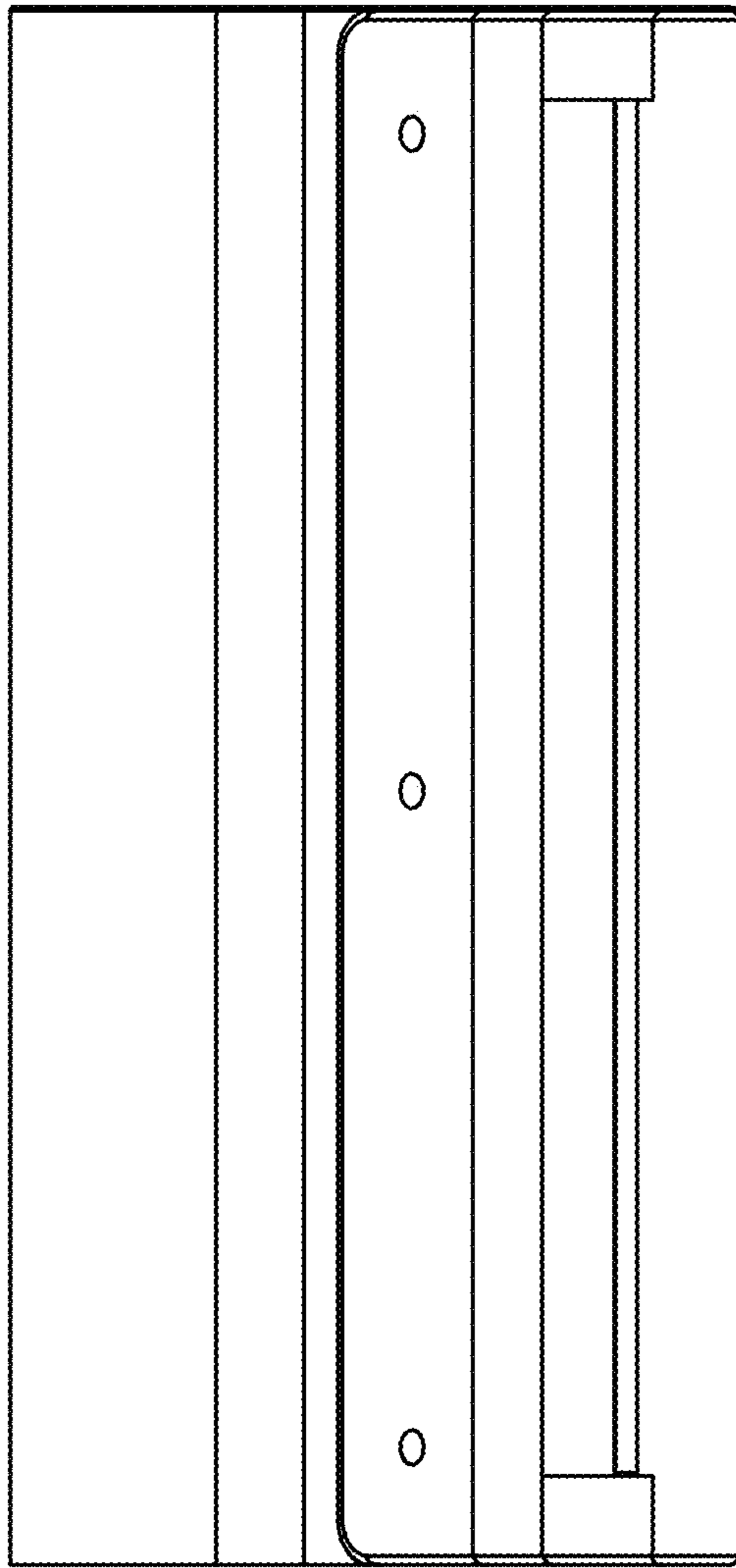


FIG. 4

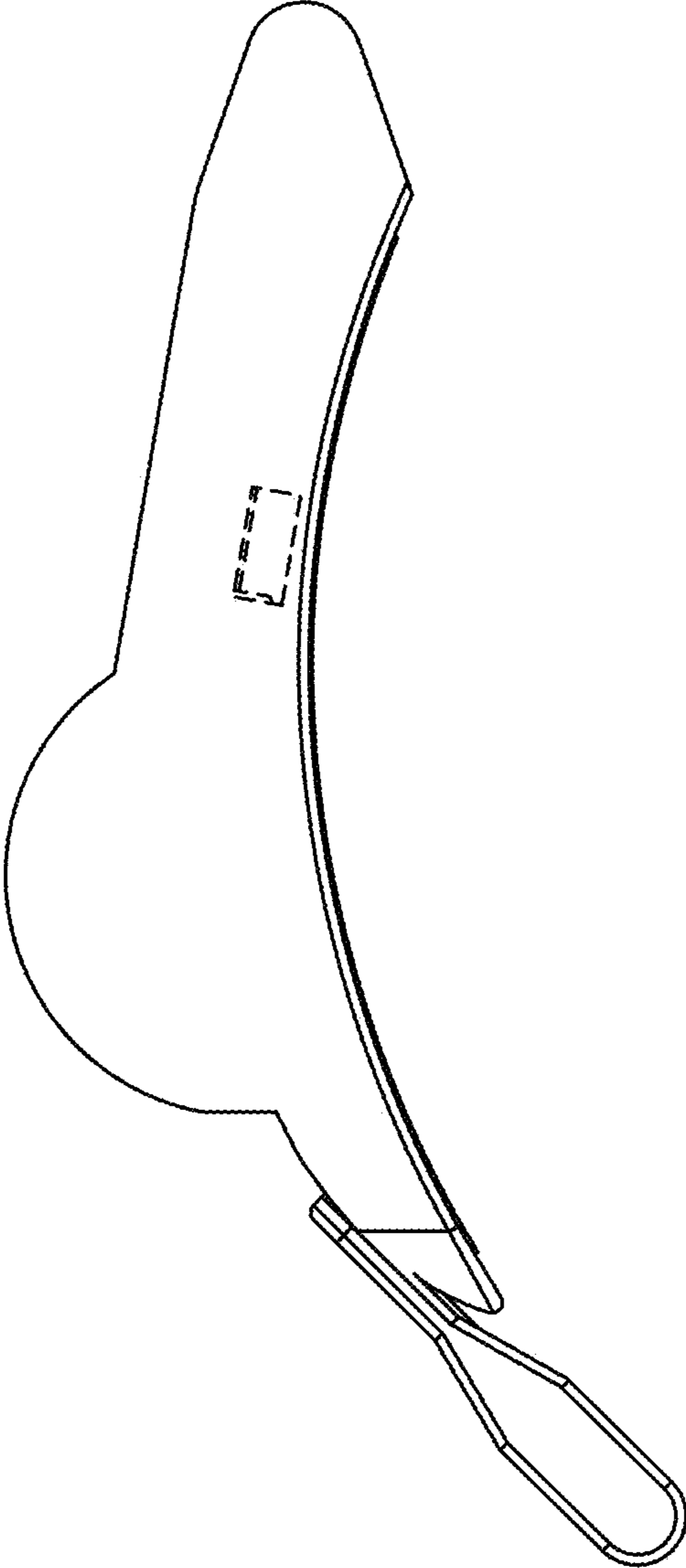


FIG. 5

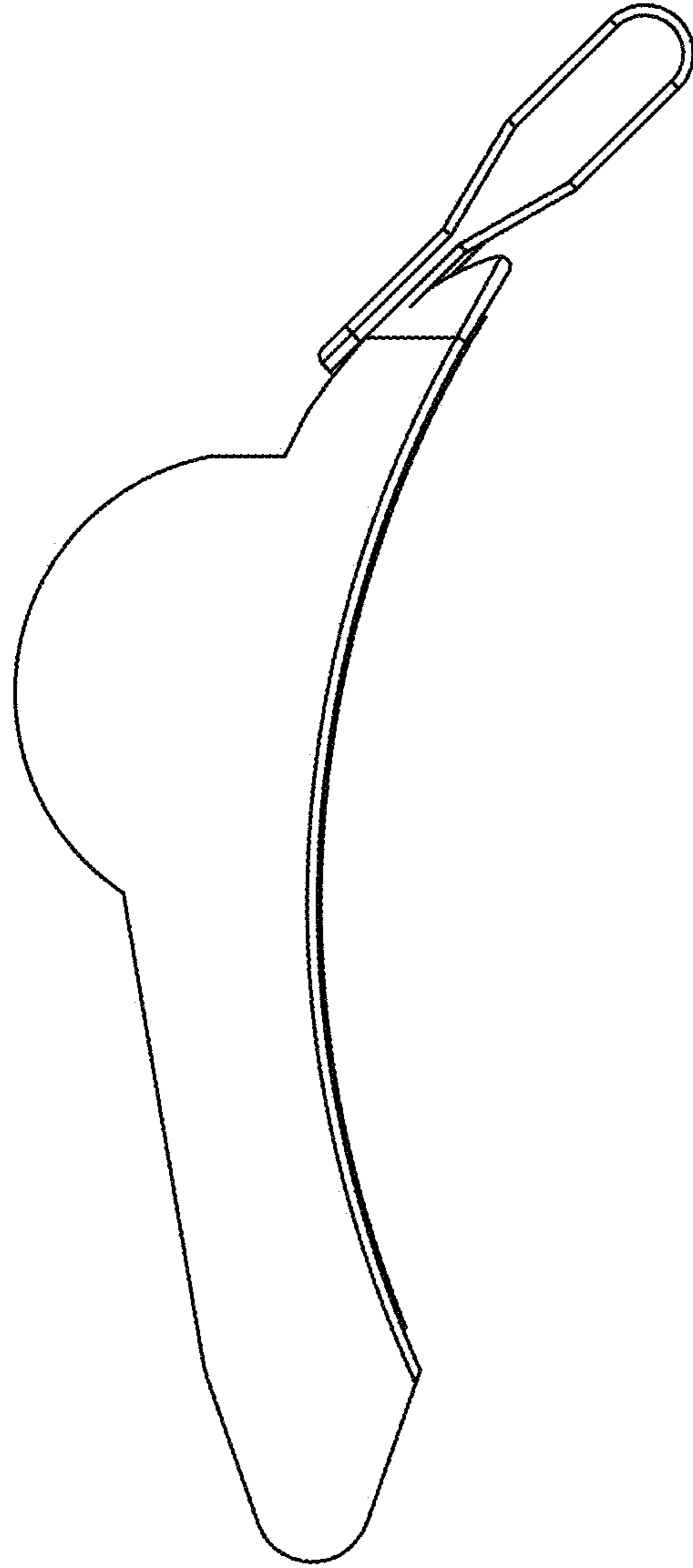


FIG. 6

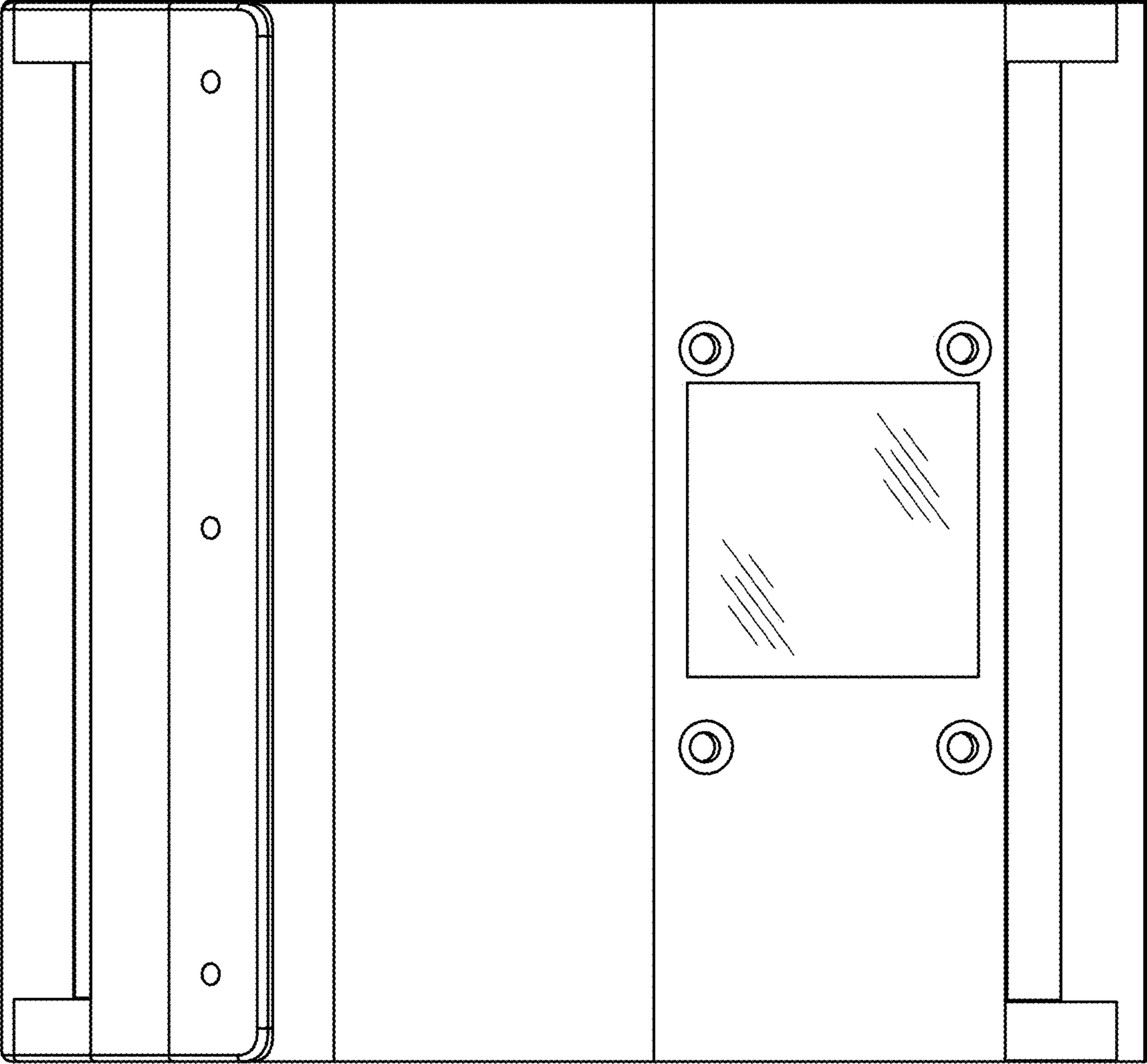


FIG. 7

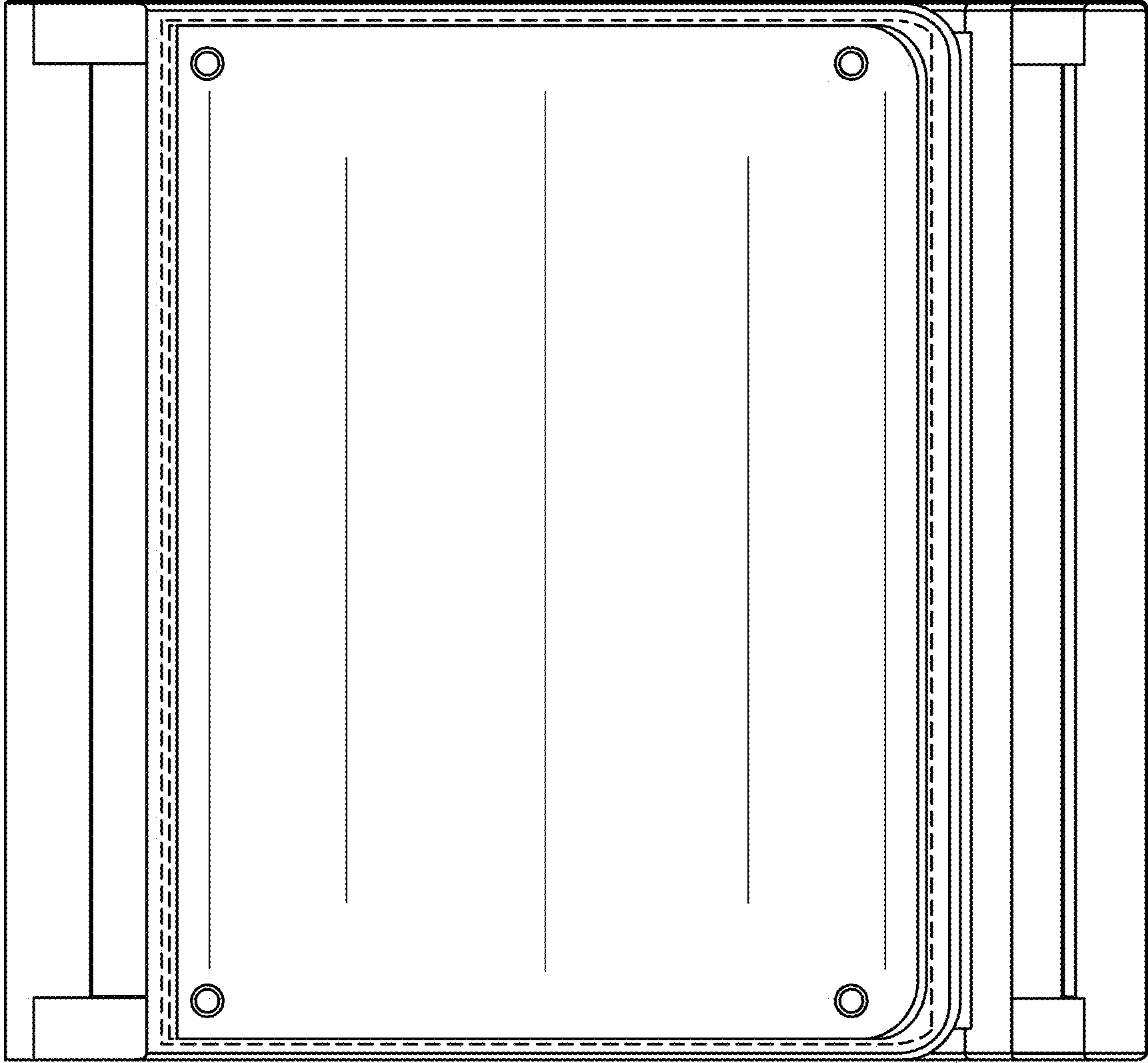


FIG. 8