



US00D958992S

(12) **United States Design Patent**
Duffy et al.

(10) **Patent No.:** **US D958,992 S**
(45) **Date of Patent:** **** Jul. 26, 2022**

(54) **MONITORING APPARATUS**
(71) Applicant: **VivaQuant LLC**, St. Paul, MN (US)
(72) Inventors: **Garrett Duffy**, St. Paul, MN (US);
Brian Brockway, St. Paul, MN (US)
(73) Assignee: **VivaQuant LLC**, St. Paul, MN (US)
(**) Term: **15 Years**

D932,017 S * 9/2021 Lam D24/167
2012/0197150 A1* 8/2012 Cao A61B 5/6823
600/523
2014/0213921 A1* 7/2014 Brockway A61B 5/0006
600/513
2014/0364756 A1* 12/2014 Brockway A61B 5/7253
600/513
2019/0350476 A1* 11/2019 Buisson A61B 5/02438
2021/0244339 A1* 8/2021 Szabados A61B 5/257

(21) Appl. No.: **29/733,748**
(22) Filed: **May 6, 2020**
(51) **LOC (13) Cl.** **24-01**
(52) **U.S. Cl.**
USPC **D24/167; D24/186**
(58) **Field of Classification Search**
USPC D24/164, 165, 167, 168, 186, 187, 200,
D24/133; D13/108; D14/341
CPC ... A61B 5/0006; A61B 5/0044; A61B 5/0205;
A61B 5/02438; A61B 5/6805; A61B
5/6823; A61B 2560/0412; A61B
2560/0462
See application file for complete search history.

FOREIGN PATENT DOCUMENTS

CN 201730271694 * 1/2018

* cited by examiner

Primary Examiner — Anhdao Doan

(74) *Attorney, Agent, or Firm* — Crawford Maunu PLLC

(57) **CLAIM**

The ornamental design for a monitoring apparatus, as shown and described.

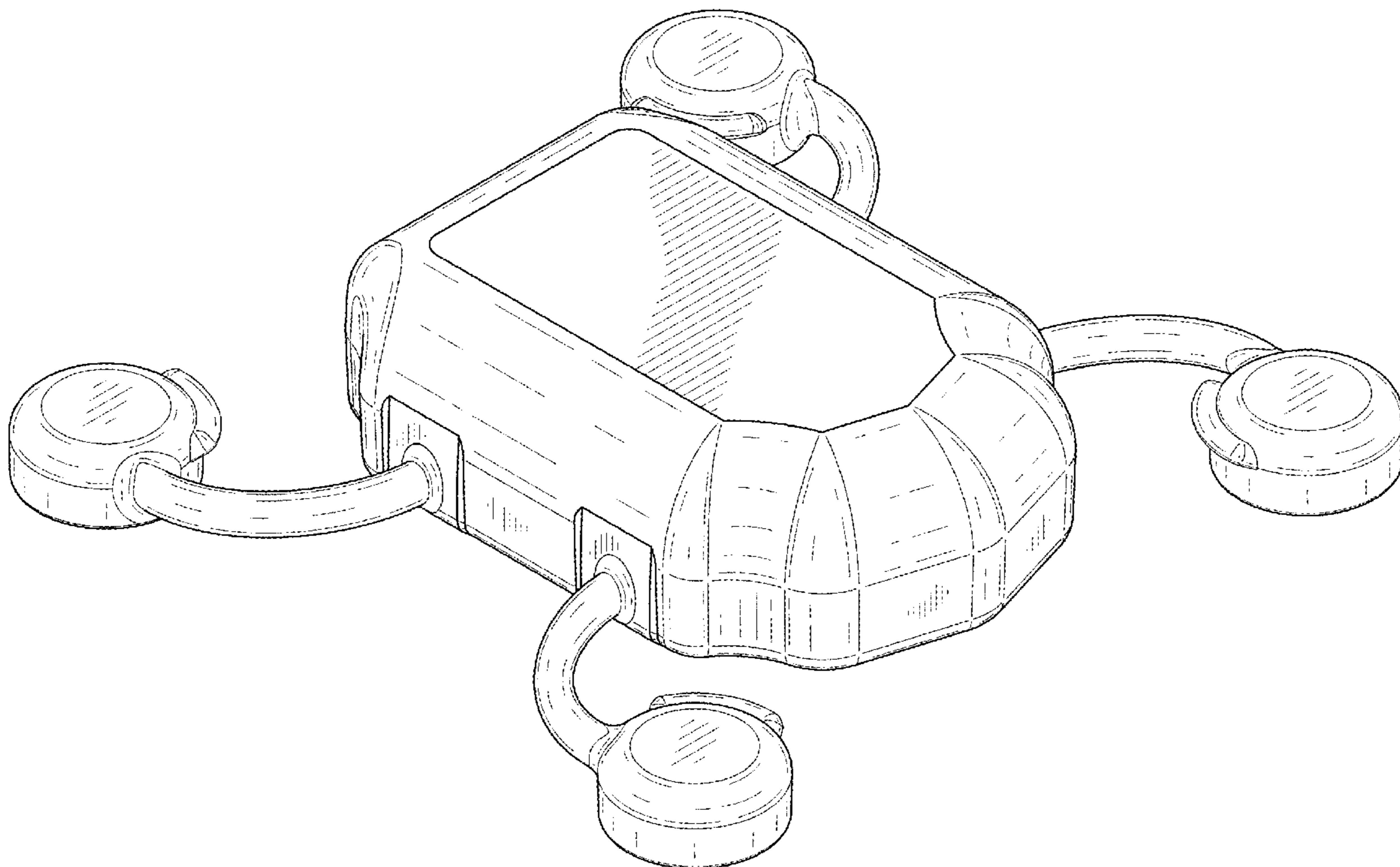
DESCRIPTION

FIG. 1 is a top perspective view of a monitoring apparatus;
FIG. 2 is a bottom perspective view thereof;
FIG. 3 is a top view thereof;
FIG. 4 is a bottom view thereof;
FIG. 5 is a side view thereof, the other side being a mirror image;
FIG. 6 is a front view thereof; and,
FIG. 7 is a rear view thereof.

(56) **References Cited**
U.S. PATENT DOCUMENTS

D854,169 S * 7/2019 Briante D24/187
D864,400 S * 10/2019 Benedikter D24/186
D921,204 S * 6/2021 Golda D24/186

1 Claim, 6 Drawing Sheets



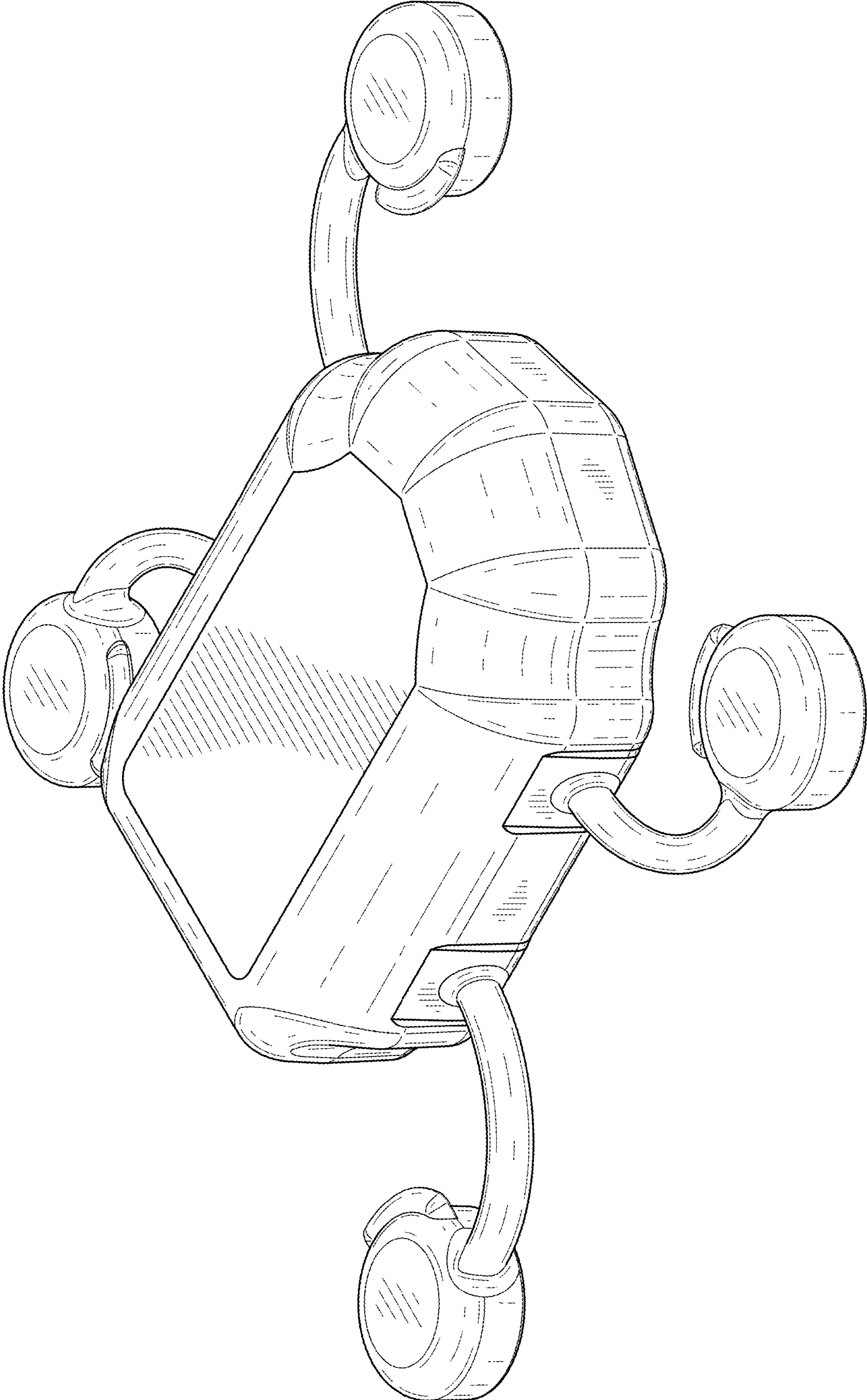


FIG. 1

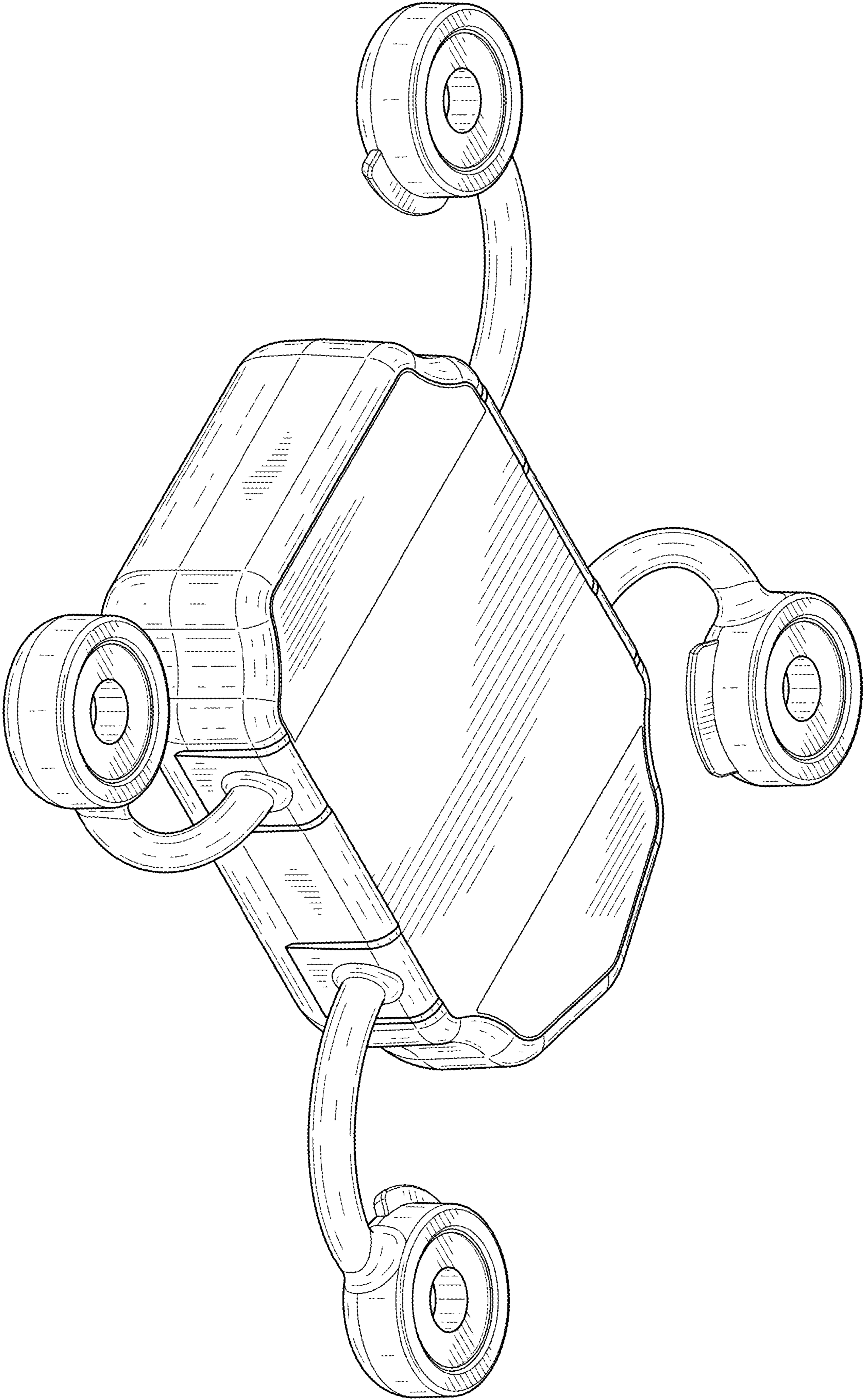


FIG. 2

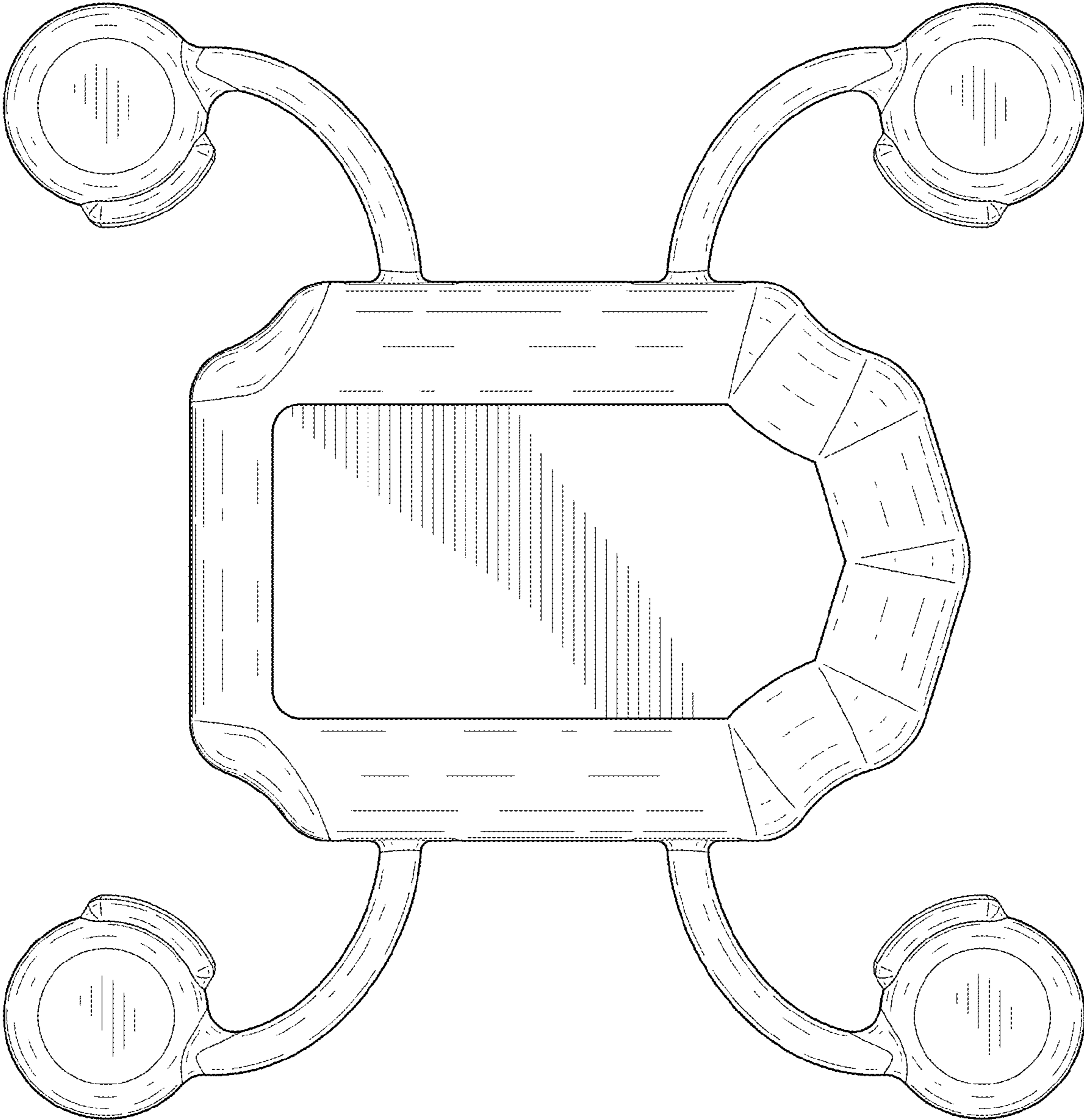


FIG. 3

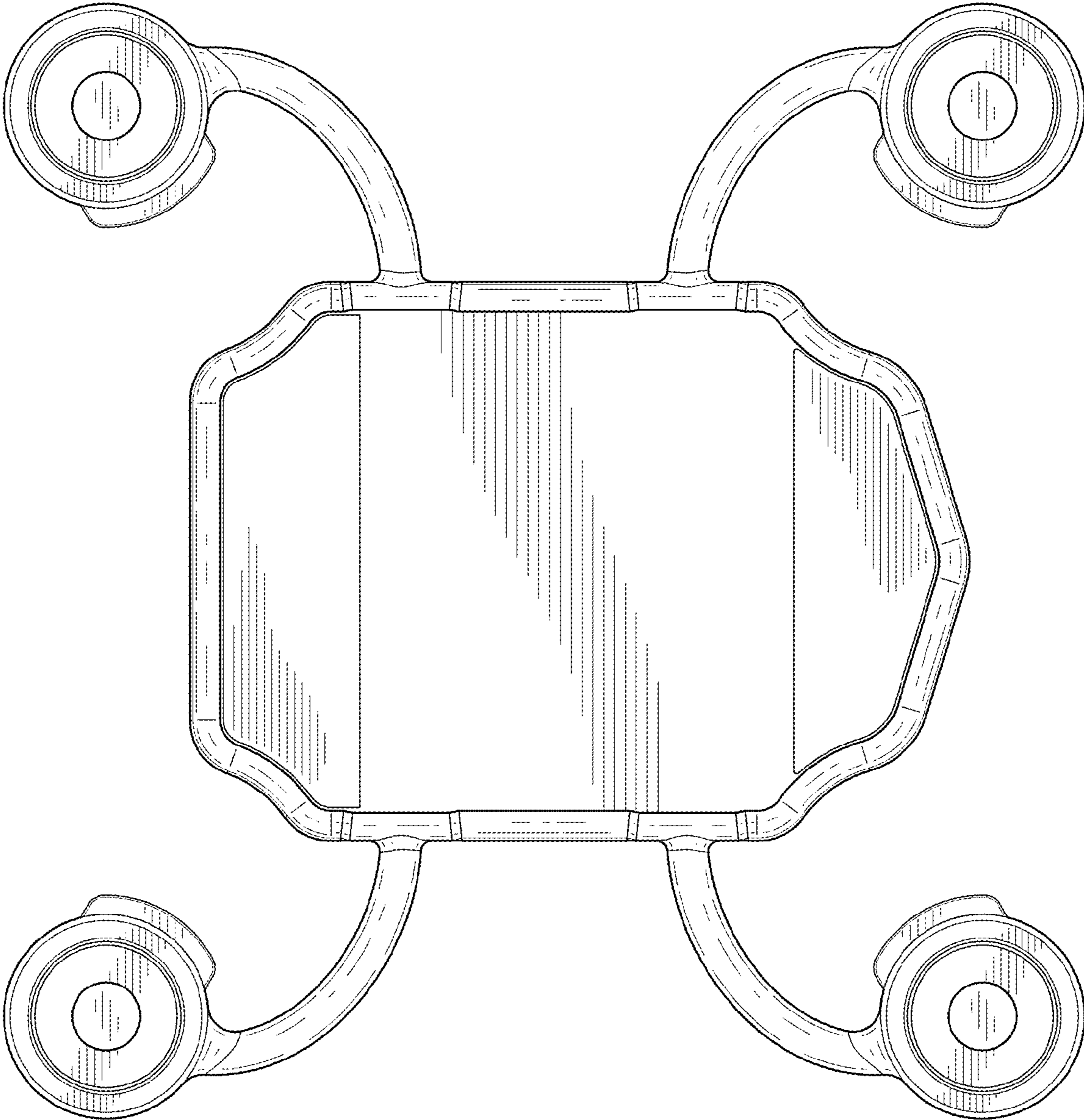


FIG. 4

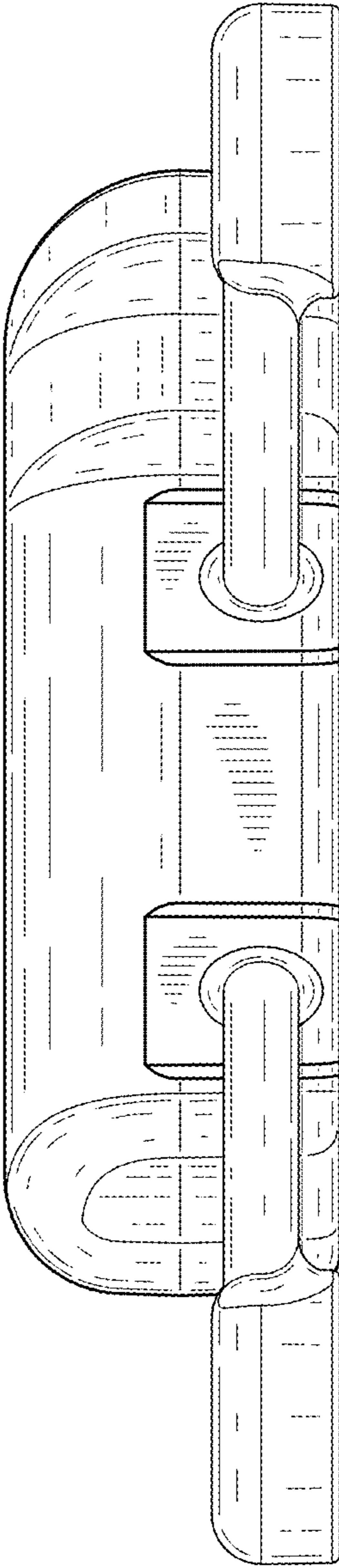


FIG. 5

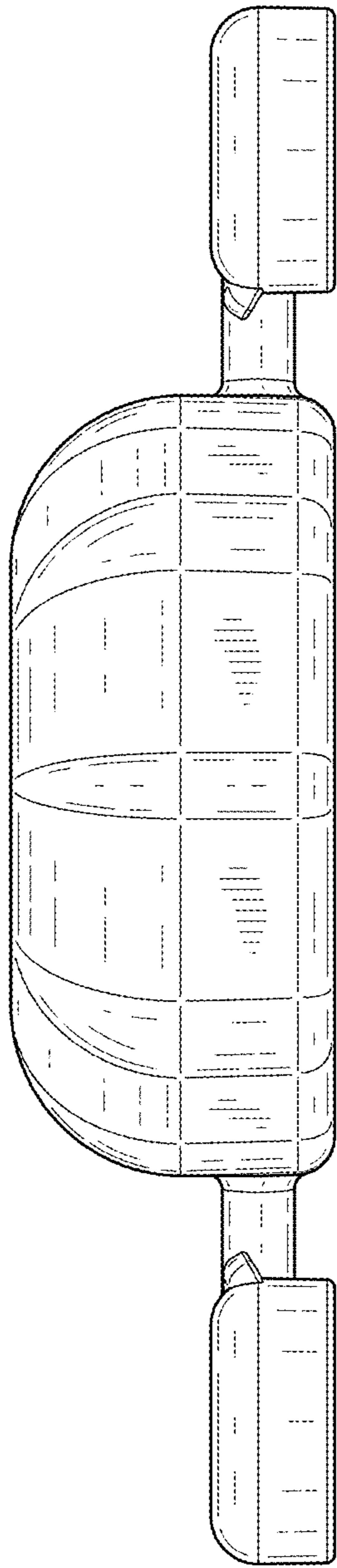


FIG. 6

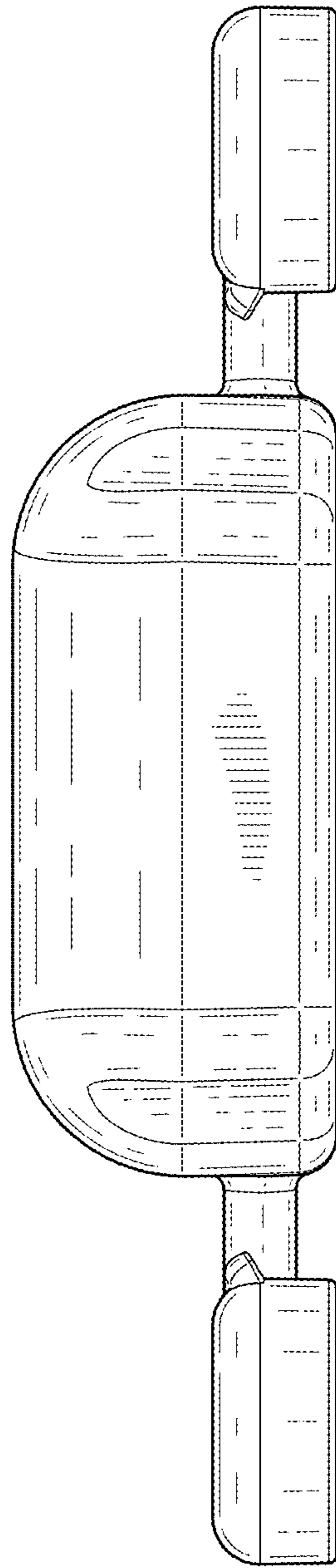


FIG. 7