



US00D958990S

(12) **United States Design Patent** (10) **Patent No.:** **US D958,990 S**
Perryman et al. (45) **Date of Patent:** **** Jul. 26, 2022**

(54) **LAMINOPLASTY SPACER**

(56) **References Cited**

(71) Applicant: **Choice Spine, LLC**, Knoxville, TN (US)
 (72) Inventors: **John Abe Perryman**, Columbia, TN (US); **Larry T. Khoo**, Studio City, CA (US)
 (73) Assignee: **Choice Spine, LLC**, Knoxville, TN (US)
 (**) Term: **15 Years**
 (21) Appl. No.: **29/800,497**
 (22) Filed: **Jul. 21, 2021**

U.S. PATENT DOCUMENTS

D565,179 S * 3/2008 Kubo D24/155
 D658,761 S * 5/2012 Brotman D24/155
 D677,791 S * 3/2013 Danacioglu D24/155
 D685,475 S * 7/2013 Brotman D24/155
 10,258,483 B2 * 4/2019 Black A61F 2/4455
 2017/0311994 A1 * 11/2017 Jung A61B 17/8023
 2020/0179127 A1 * 6/2020 Castro A61F 2/4611

* cited by examiner

Primary Examiner — Charles D Hanson
 (74) *Attorney, Agent, or Firm* — Luedeka Neely Group, PC

Related U.S. Application Data

(63) Continuation of application No. 16/448,488, filed on Jun. 21, 2019, now abandoned.
 (60) Provisional application No. 62/691,954, filed on Jun. 29, 2018.

(51) **LOC (13) Cl.** **24-03**
 (52) **U.S. Cl.**

USPC **D24/155**
 (58) **Field of Classification Search**
 USPC D24/155
 CPC A61B 17/8061; A61B 17/7059; A61B 17/8052; A61B 17/8605; A61B 17/8085; A61B 17/809; A61B 17/8014; A61B 17/8033; A61B 17/8004; A61B 17/888; A61B 17/842; A61B 17/8023; A61B 17/8009; A61B 17/86; A61B 17/1739; A61B 17/8066; A61B 17/1671; A61B 17/1757; A61B 17/8071; A61B 17/176

See application file for complete search history.

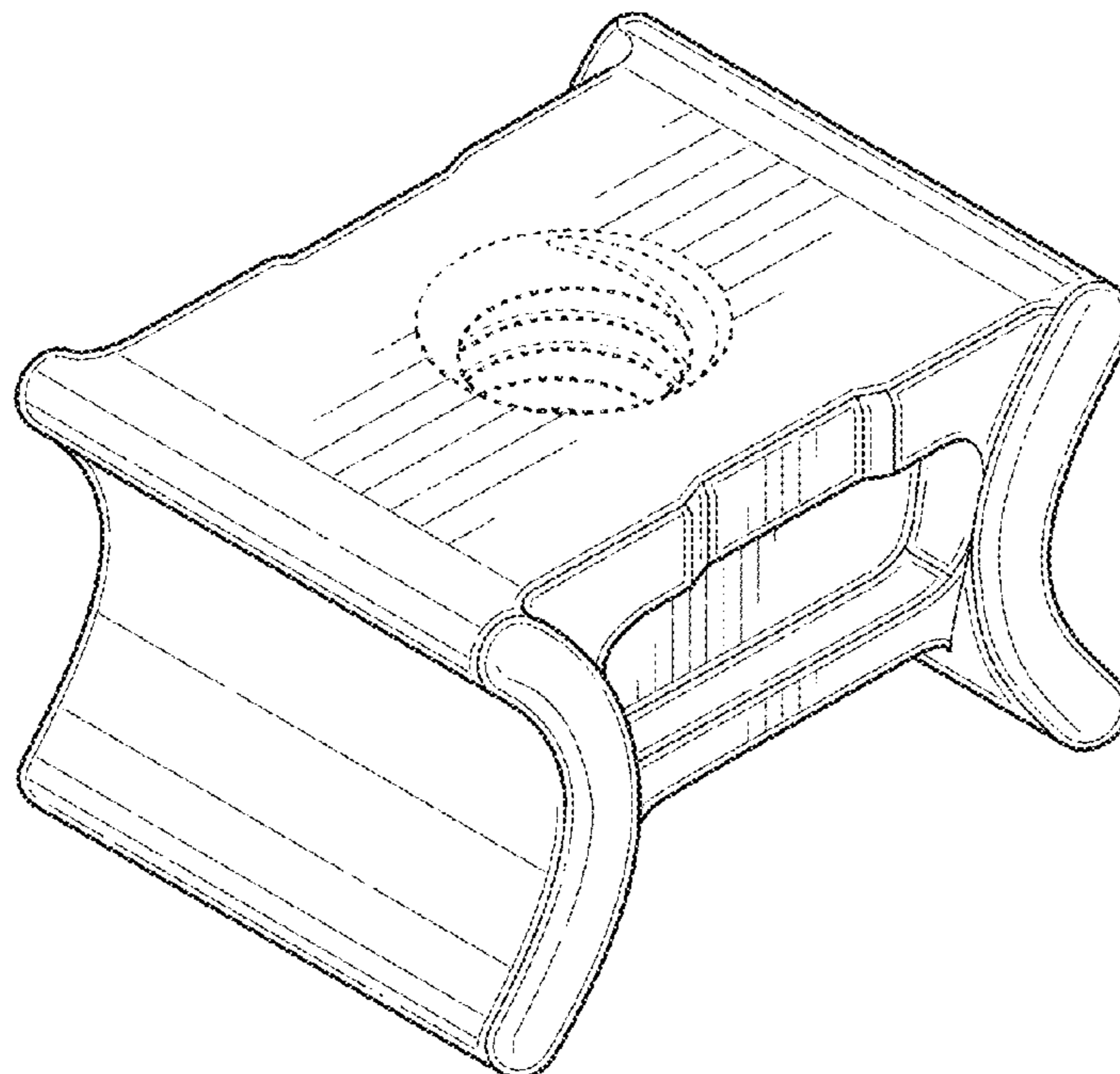
(57) **CLAIM**

The ornamental design for a laminoplasty spacer, as shown and described.

DESCRIPTION

FIGS. 1 and 2 are perspective views of a laminoplasty spacer of our design.
 FIG. 3 is a front end view thereof.
 FIG. 4 is a rear end view thereof.
 FIG. 5 is a left side view thereof.
 FIG. 6 is a right side view thereof.
 FIG. 7 is a top view thereof; and,
 FIG. 8 is a bottom view thereof.
 The broken lines in the drawings are included for the purpose of illustrating unclaimed environmental features and form no part of the claimed design.

1 Claim, 4 Drawing Sheets



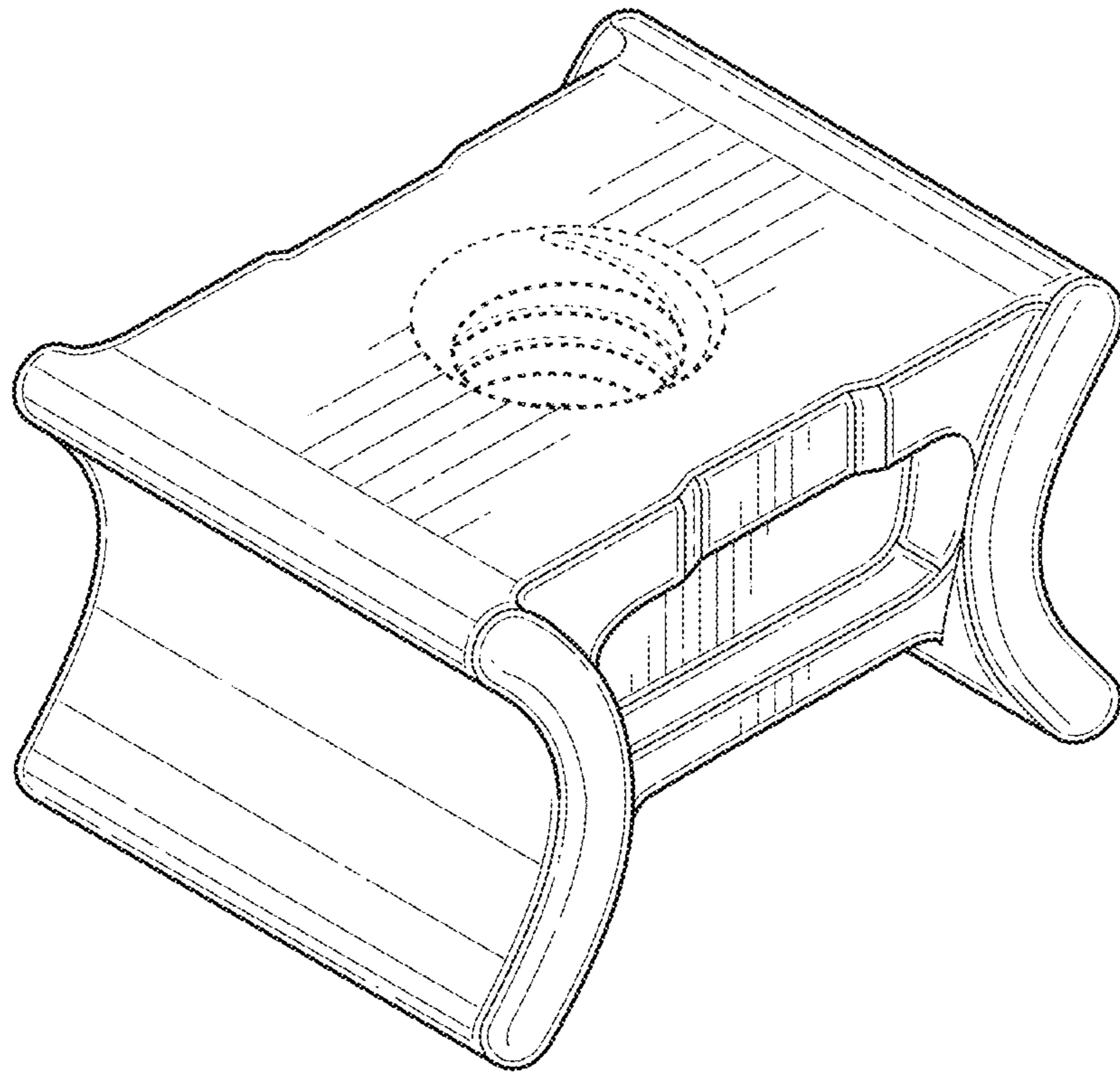


FIG. 1

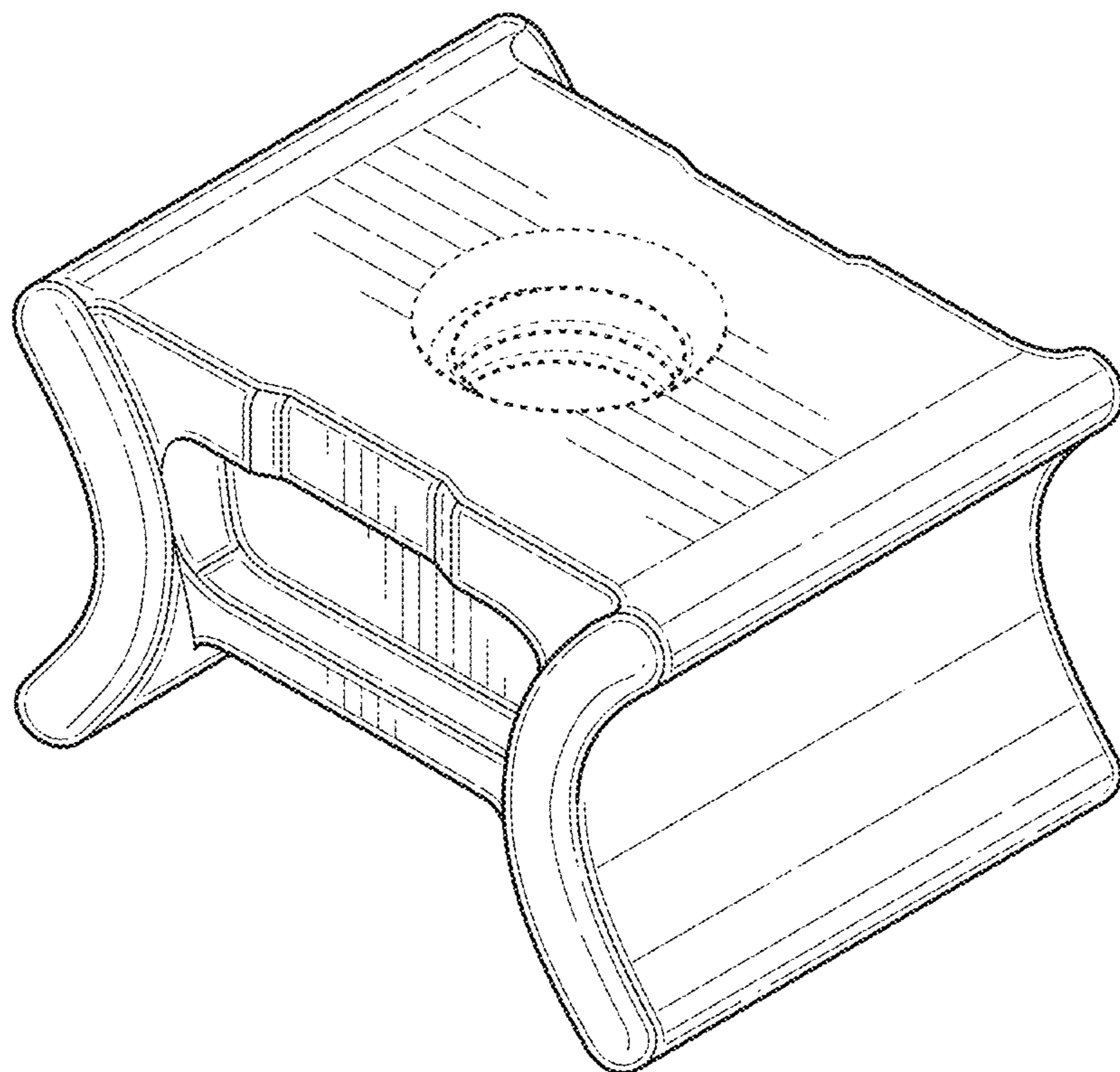


FIG. 2

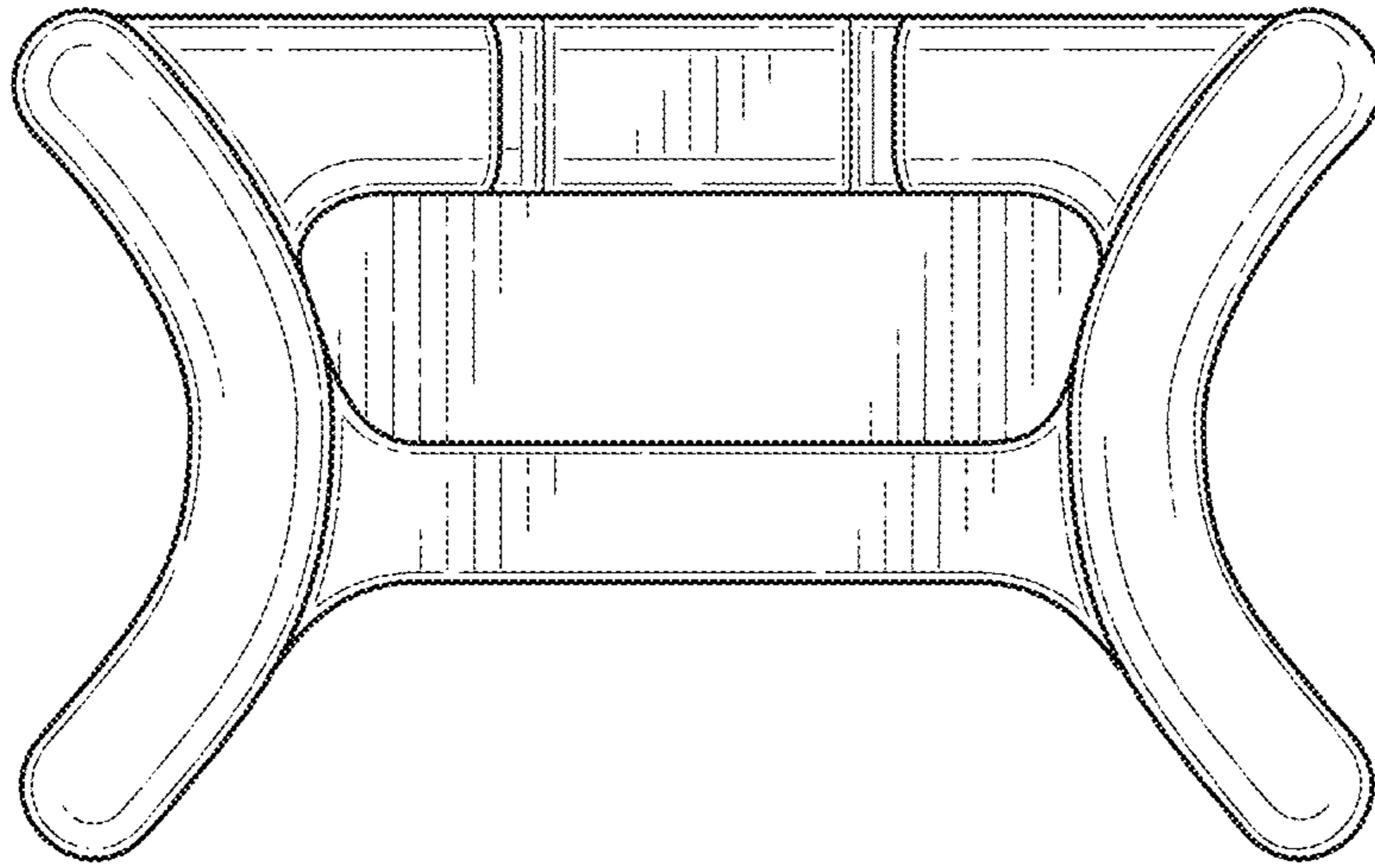


FIG. 3

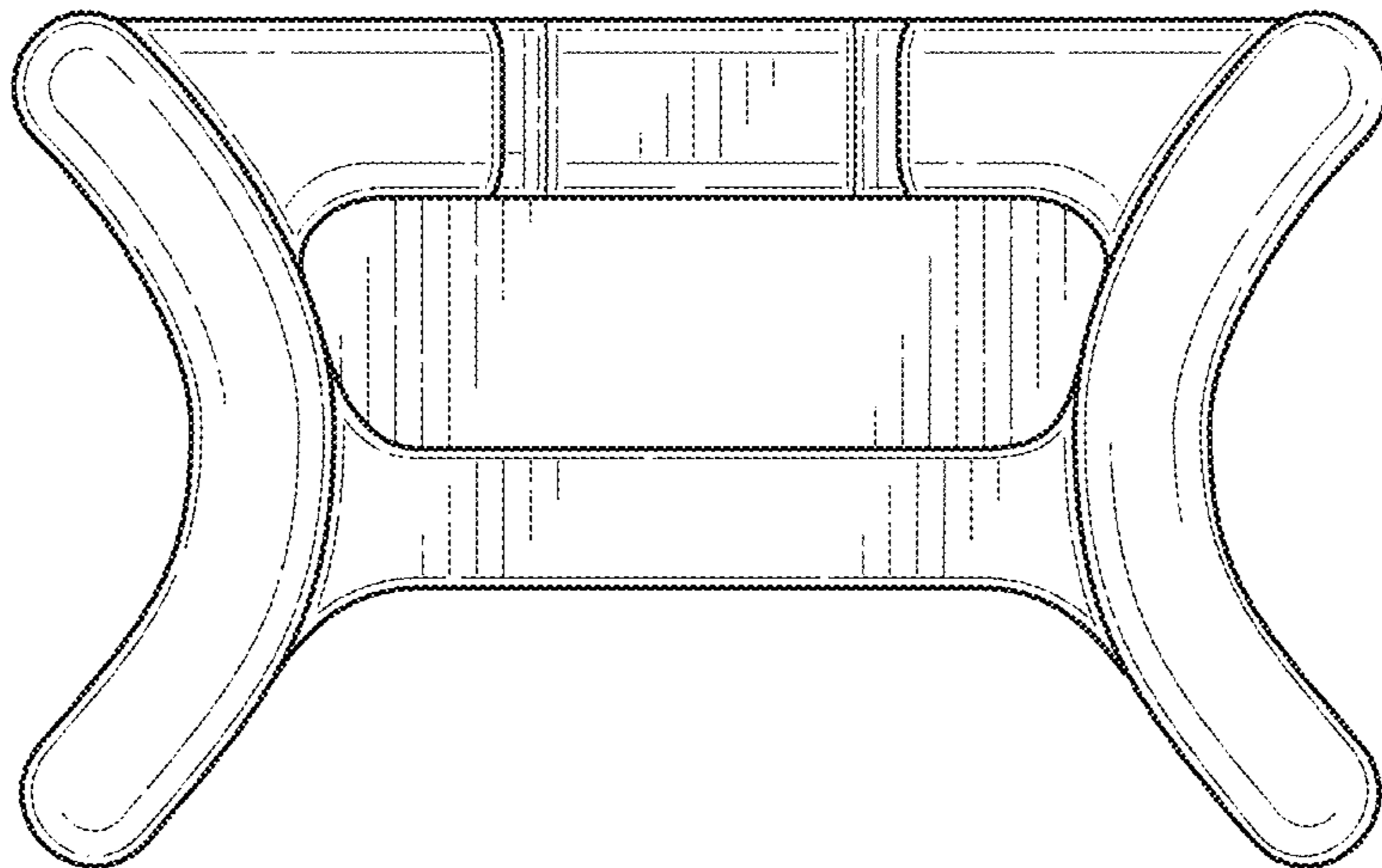


FIG. 4

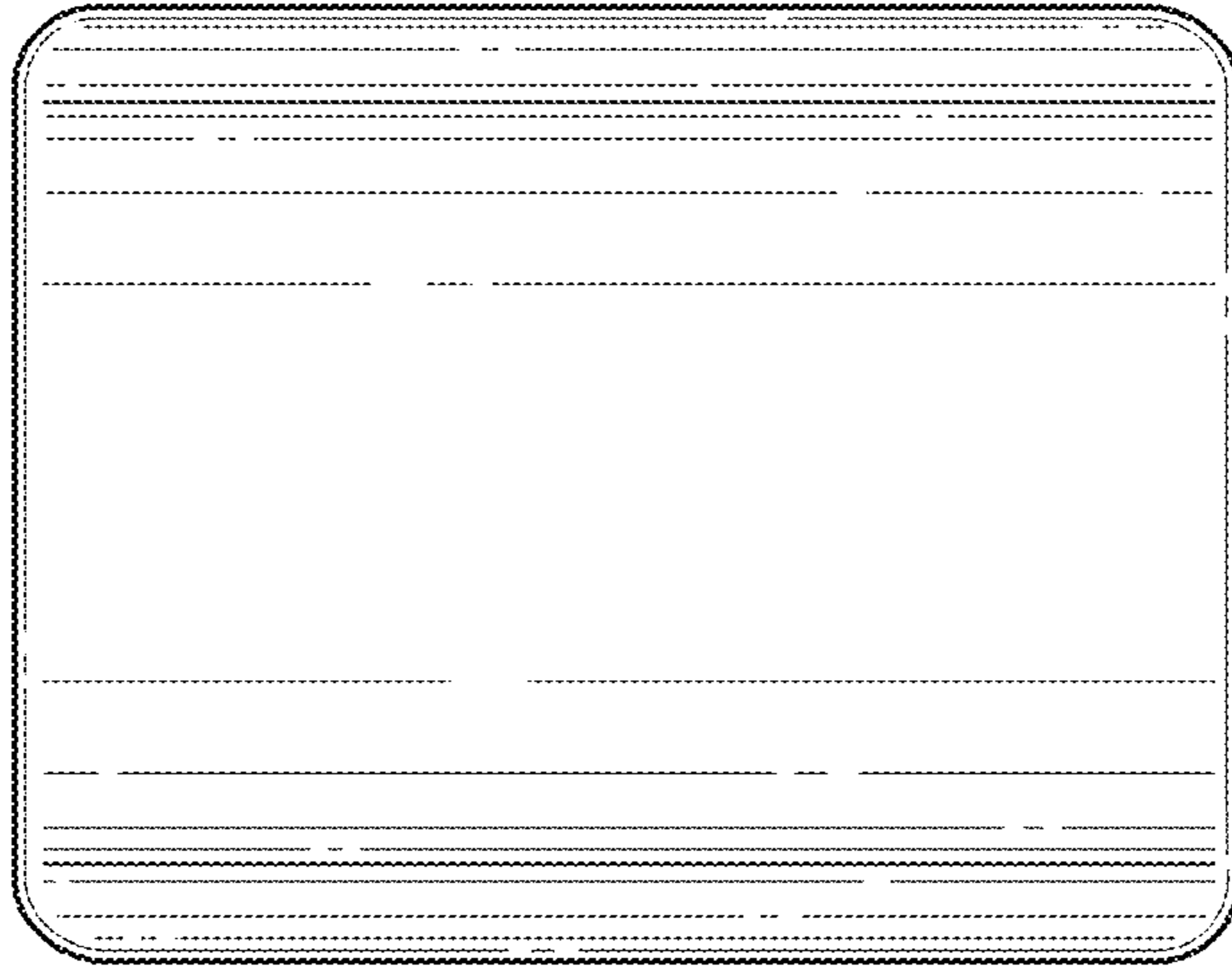


FIG. 5

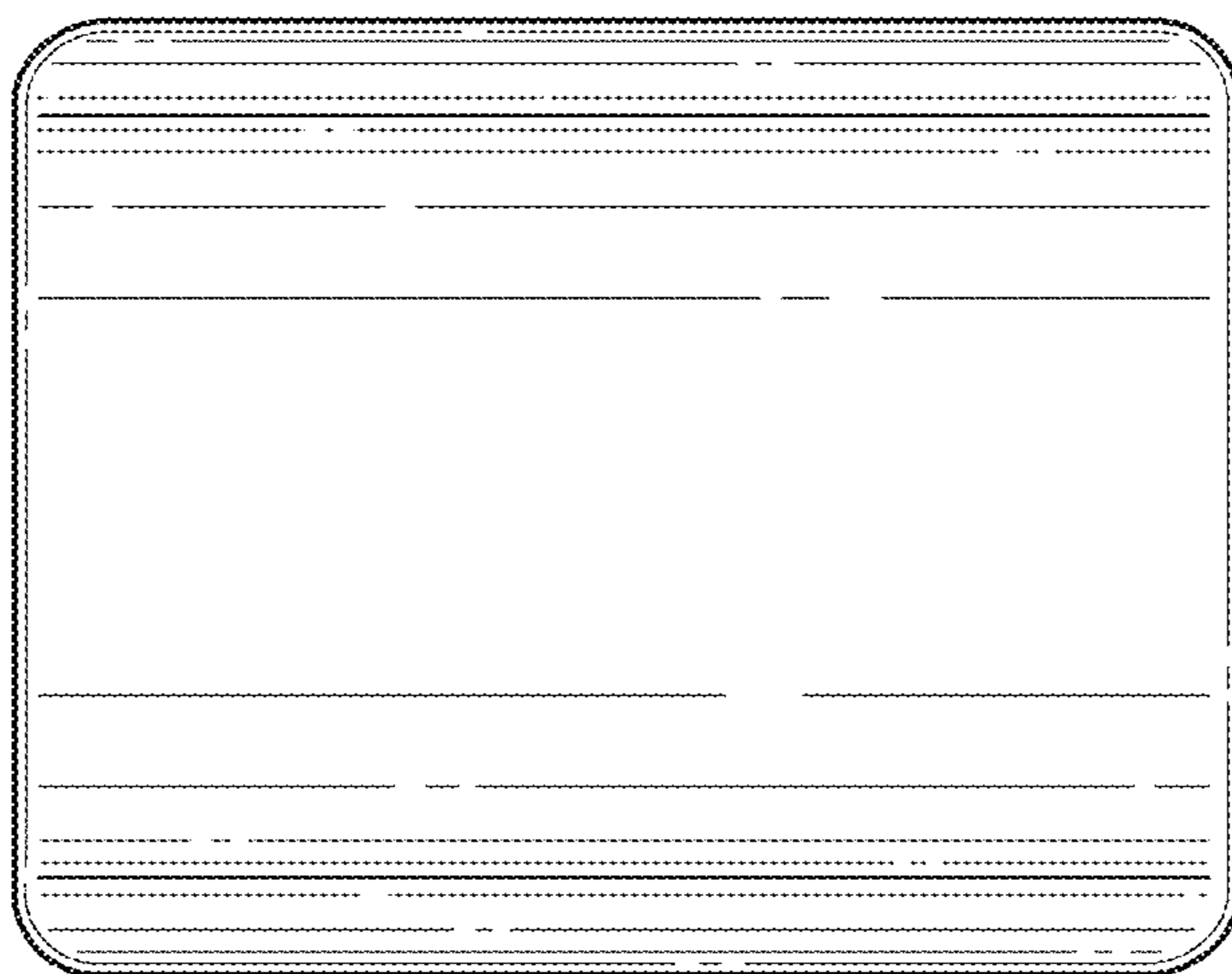


FIG. 6

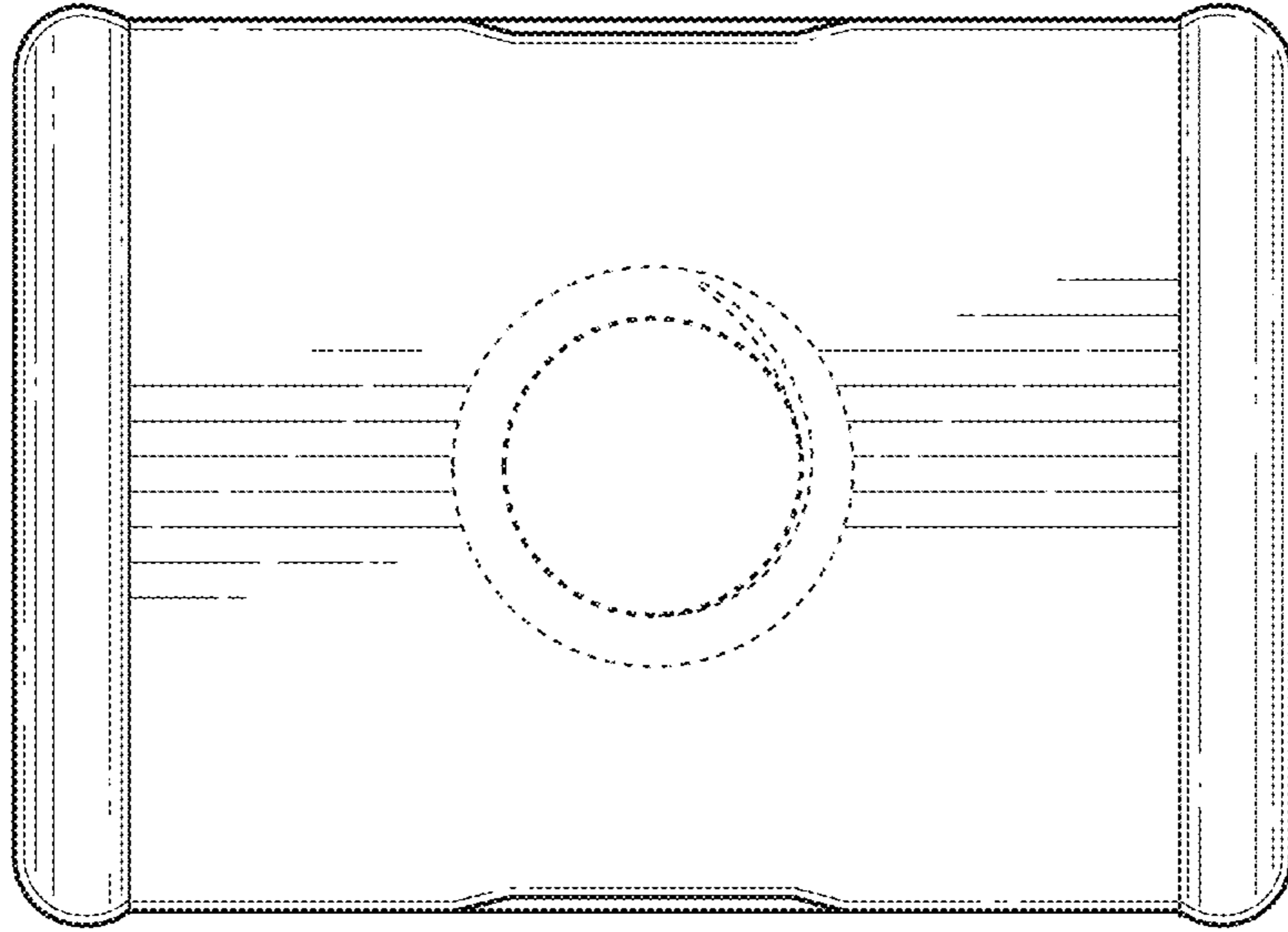


FIG. 7

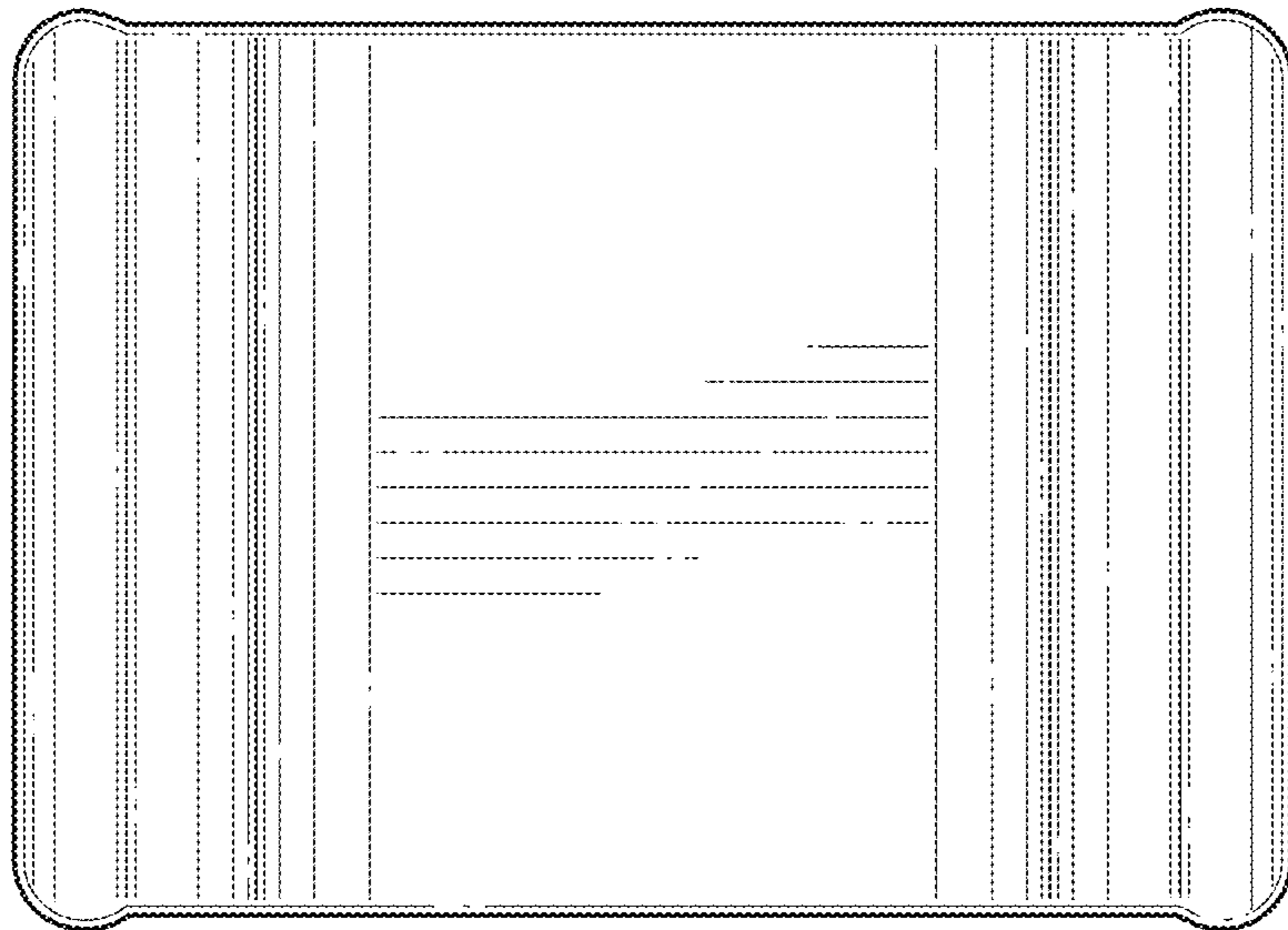


FIG. 8